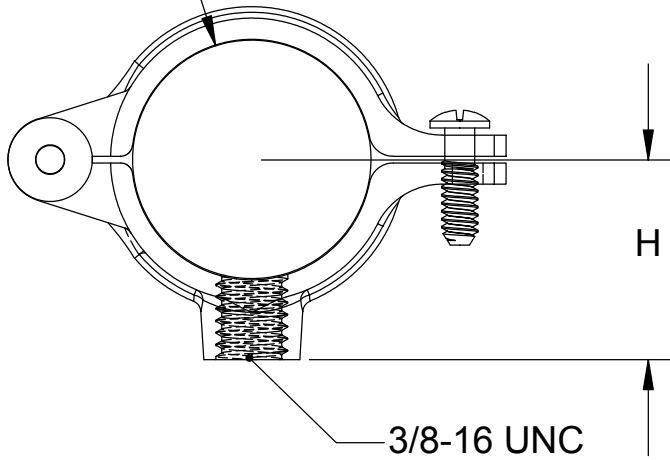


THE INFORMATION CONTAINED IN THIS DRAWING IS THE SOLE PROPERTY OF GREENFIELD MFG CO ANY REPRODUCTION IN PART OR WHOLE WITHOUT THE WRITTEN PERMISSION OF GREENFIELD MFG CO IS PROHIBITED.



PIPE SIZE



PIPE SIZE	H	WT / C APPROX	MAX REC LOAD LBS
3/8	0.69	10	180
1/2	0.82	10	180
3/4	0.94	12	180
1	1.06	14	180
1-1/4	1.23	19	180
1-1/2	1.31	21	180
2	1.62	30	180

USE FIG 385 FOR 2-1/2 THRU 4 IMPORTED

UNLESS OTHERWISE SPECIFIED DIMENSIONS ARE IN INCHES		CAD GENERATED DRAWING, DO NOT MANUALLY UPDATE		GREENFIELD MFG CO	
TOLERANCES ARE:		APPROVALS	DATE	9800 BUSTLETON AVE, PHILA, PA 19115	
FRACTIONS	DECIMALS	ANGLES			
+/- 1/8	.XX +/- .03	.XX + 1	EG	4/18	
	.XXX +/- .01		LB	4/18	
MATERIAL				SPLIT RING ,IRON PIPE	
DUCTILE IRON				A	P/N FIG 202
DO NOT SCALE DRAWING				SCALE	CAD FILE: 202.SLDDRW
				SHEET	OF

A