



VXTM SERIES

Illustrated
Parts List
03.09.2021



**THE SMART CHOICE
FOR HEATING**



Section 1	Accessories	
	1.1 Accessories	3
Section 2	Key Components	
	2.1 Exploded View	4
Section 3	Manual Reference	
	3.1 Exploded Views with Order#	5
Section 4	VX Cross Reference Look Up	
	4.1 Internal Component Ref List	11



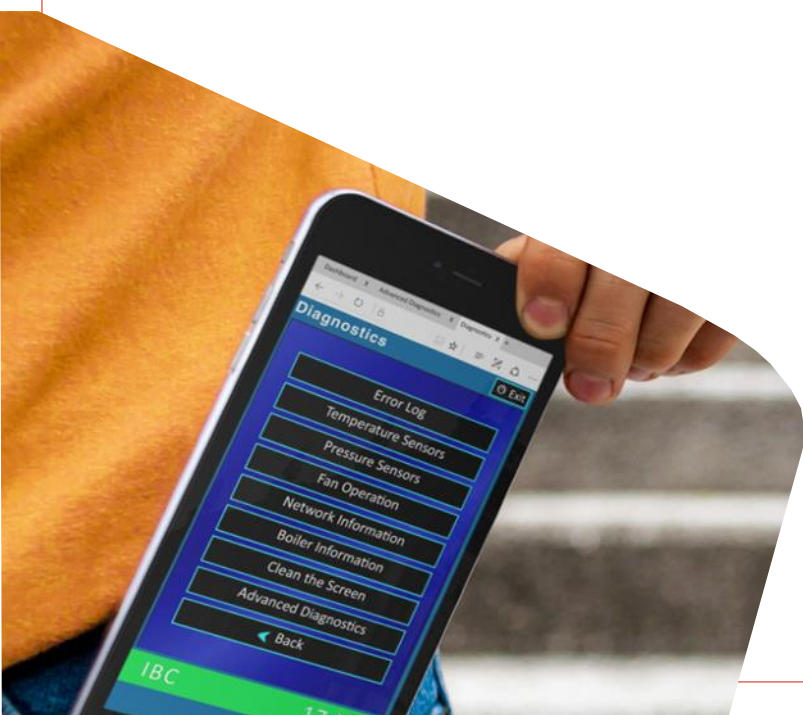
1-844 HEAT IBC
www.ibcboiler.com

Section 1.1 - Accessories



ACCESSORIES

PART#	ITEM DESCRIPTION
P-267C	FLOOR STAND
P-429	RESIDENTIAL PARTS CASE - SL & VX <i>(See page 5 for contents)</i>
P-741	2" VENT TERMINATION KIT
P-742	3" VENT TERMINATION KIT
180-048	CONDENSATE NEUTRALIZER TANK



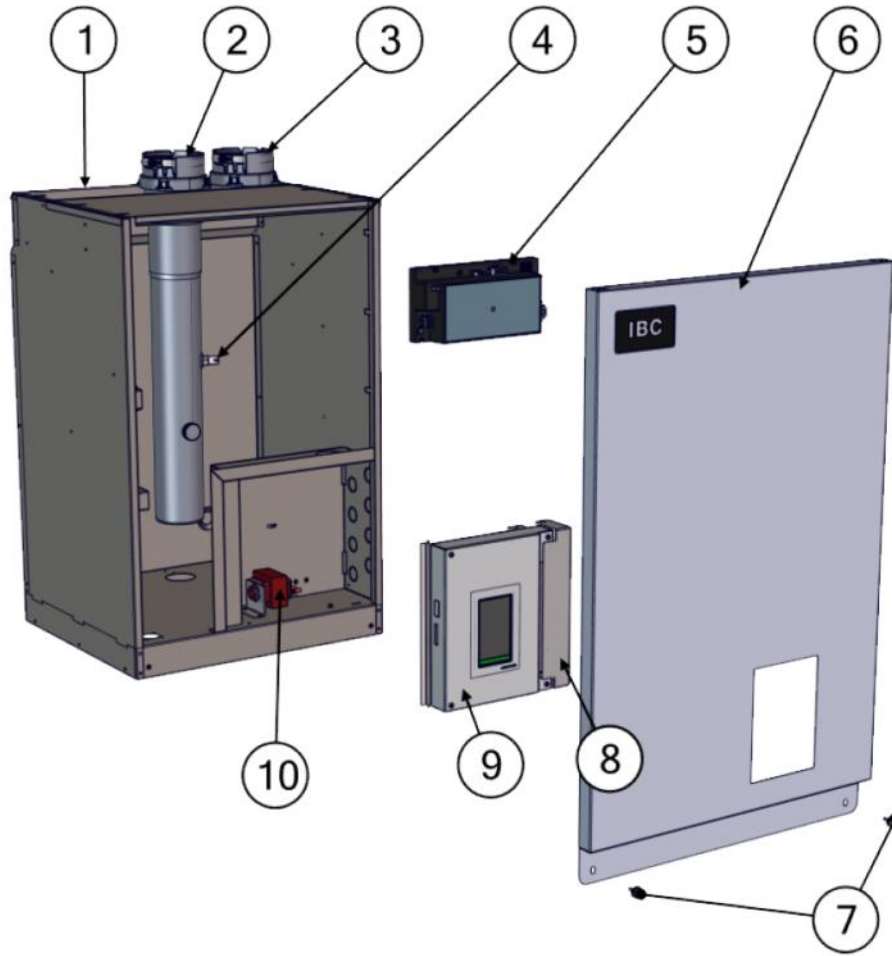
Section 2.1 - Key Components

FRONT VIEW



Section 3.1 - Exploded Views

MANUAL PARTS LIST



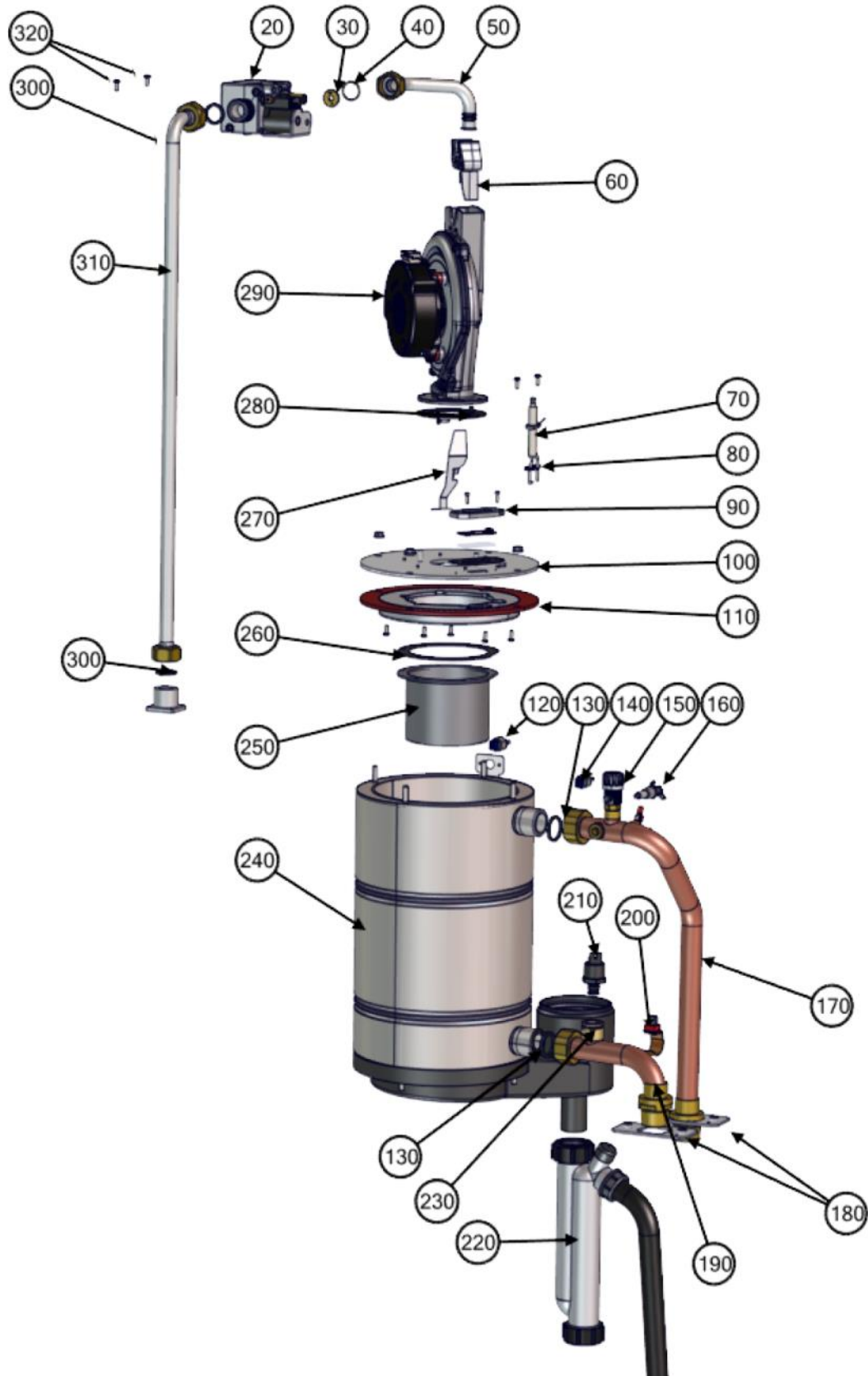
PARTS

PART#	ITEM DESCRIPTION	Part#	Order #
1	Top access cover	251-168	P-1506
2	Exhaust duct	251-142	P-1507
3	Intake duct	250-942	P-391
4	High limit temperature sensor	240-132	P-361
5	Safety Ignition Module plus (SIM+)	500-078	P-271
6	Front door cover	500-180	P-1508
7	Thumb screw	250-275	250-275
8	Terminal block cover	251-163	P-1509
8	V-10 touchscreen controller	500-103	P-242
10	Transformer	240-008	P-9059



Section 3.1 - Exploded Views

MANUAL PARTS LIST



Section 3.1 - Manual - Exploded Views

MANUAL PARTS LIST

PART#	ITEM DESCRIPTION	Part#	Order #
20	Gas valve	180-165	P-326
30	Orifice NG 505	180-095	P-1501
	Orifice LP 410	180-194	P-1500
	Orifice NG 620	180-195	P-1503
	Orifice LP 520	180-300	P-1502
	Orifice NG 705	180-301	P-1505
	Orifice LP 580	180-096	P-1504
40	O-ring, gas valve outlet	150-175	P-1522*
50	Gas valve outlet pipe	251-134	P-1510
60	Venturi insert - VX 110 - 50mm	240-144	P-821
	Venturi insert - VX 150 - 43.5 mm	240-124	
	Venturi insert - VX 199 - 37.5 mm	240-142	
70	Ignitor and 2 screws	240-182	P-1511
80	Ignitor gasket (5 Pack)	250-050	P-117
90	Sight glass and 2 screws	250-057	P-107
100	Heat exchanger lid	251-067	P-1512
110	Refractory and gasket	255-151	P-1513
120	Rollout switch	240-030	P-9070
130	Gasket, supply/return pipe union (2 pack)	251-122	P-1522
140	Supply temperature sensor	240-133	P-362
150	Low water cutoff	240-010	P-9061
160	Manual air vent	180-258	P-1219
170	Supply water pipe	251-117	P-1514
180	Supply / return water pipe bracket (2 pack)	251-161	P-1515
190	Return water pipe	251-120	P-1516
200	Return water temperature sensor	240-154	P-1011
210	Water pressure sensor clip	251-132	P-1517
220	Condensate trap	180013	P-115
230	Water pressure sensor	240-180	P-1517
240	Heat exchanger	170-119	P-1518
250	Burner 110	180-297	P-1519
	Burner 150	180-298	P-1526
	Burner 199	180-299	P-1530
260	Burner gasket	255-034	255-034
270	Fan insert	251-143	P-1520
280	Fan gasket	250-627	250-627
290	Fan	240-114	P-1520
300	Inlet gas line union gasket (2 pack)	150-271	P-1522
310	Gas line	190-212	P-1521
320	Screws, gas valve support bracket (2 pack)		



Section 4.1 - VX Cross Reference Look-Up

INTERNAL COMPONENTS REFERENCE LIST

DESCRIPTION	VX 110	VX 150	VX 199
Lbl,Boiler Fuel Type Advisory	080-120A1	080-120A1	080-120A1
Roll, TT,Ylw Polystr, 60x20mm	130-004A	130-004A	130-004A
Lbl, Boiler Install, 200F SLG3	080-239A1	080-239A1	080-239A1
LblBoilerRting	080-314A	080-315A	080-316A
Roll,TT,Wht Polystr,5.25x8	130-001A	130-001A	130-001A
FoamCornerProtectors CBB- 104	140-052	140-052	140-052
BOX TOP, VC110	140-081	140-084	140-087
BOX BASE, VC110	140-082	140-085	140-088
BOX INSERT, VC110	140-083	140-086	140-089
Med Duty Edge Protectors,Box	140-090	140-090	140-090
Scrw,SHC,S/S,M3x10	150-012	150-012	150-012
Scrw,PnHd,Phil,Zn,6-32x3/8	150-014	150-014	150-014
Scrw,PnHd,Phil,Zn,6-32x5/8	150-015	150-015	150-015
Scrw,SHC,Zn,8-32x3/8	150-016	150-016	150-016
Wshr,ExtLk,Zn,#8	150-018	150-018	150-018
Wshr,Flat,Zn,1/4	150-025	150-025	150-025
PopRivet,S/S,1/8x1/8Grip	150-031	150-031	150-031
PopRivet,S/S,1/8x3/16Grip	150-032	150-032	150-032
PopRivet,Blk,S/S,1/8x1/8Gp	150-033	150-033	150-033
Nut,Flat,Spring,#4	150-034	150-034	150-034
Cbl,TieHldr,Screw Mnt,#4	150-035	150-035	150-035
Wshr,Flat,S/S,M4	150-099	150-099	150-099
Nut, Hex w/ExtLk,Zn, M4	150-128	150-128	150-128
Scrw,Cap,1/4-20x1/2	150-137	150-137	150-137
PopRvt,Gndg,4.0mmx1.4-5.0Gp	150-150	150-150	150-150
Scrw,SHC,Zn,M4x12	150-164	150-164	150-164
O-Ring,IG Boiler,2mmx19ID	150-175	150-175	150-175
WeatherStripping,1/2"Wx1/8"	150-191	150-191	150-191
Venturi Clip	150-244	150-244	150-244
O-Ring,2mm x 15 ID	150-245	150-245	150-245
M4-0.7x10mm Screw/ 6 T/ Pan SS	150-260A2	150-260A2	150-260A2
Screw,PnHd,Phil,Thrd Form, 6-1	150-268	150-268	150-268
Wshr,#4x0.3120D FlatZnPlt	150-302	150-302	150-302
Pop Rivet, S/S, 1/8x1/4Grip	150-342	150-342	150-342
M5, zinc, hex, flange nut	150-379	150-379	150-379
T20, M4x0.7, 8mm length	150-399	150-399	150-399
Fender Washer .625OD., 141ID	150-400	150-400	150-400
8-32, NylocFlangeNut	150-402	150-402	150-402
75Screw,PnHd,Torx,B,8-18 1/2	150-404	150-404	150-404
5/16Wx3/16t gaskaV710 tape	150-405	150-405	150-405
Cbl,Tie,white,4.0"	152-003	152-003	152-003



Section 4.1 - VX Cross Reference Look-Up

INTERNAL COMPONENTS REFERENCE LIST

DESCRIPTION	VX 110	VX 150	VX 199
HEX + Pan	170-119	170-121	170-123
Burner Lid	170-120	170-122	170-124
Orifice 505,IG Boiler	180-095	180-195	180-301
Gas Valve 115/160/199 G3	180-165	180-165	180-165
Air Vent Manual	180-258	180-258	180-258
Burner	180-297	180-298	180-299
3/4 BSPP, 1" OD x 25" gasflex	190-212	190-212	190-212
Cable, Ignition SICC	200-154A1	200-154A1	200-154A1
Sim Fan Cable	200-162D1	200-162D1	200-162D1
VCBoilerHarness	200-188A1	200-188A1	200-188A1
Harness, GV 115/160/199 G3	200-161A1	200-161A1	200-161A1
Harness, GV 115/160/199 G3	200-161A1	200-161A1	200-161A1
GasValve Cable With Plug PE56B	210-034	210-034	210-034
Crimp,ConnTerm,22-18AWG,Tin	240-103	240-103	240-103
Conn,2PosnPlug,Mini-Univ	240-110	240-110	240-110
Transformer,40VA/120V/24V	240-008	240-008	240-008
Probe,LWCO,1/4NPTx35mm	240-010	240-010	240-010
Lug,ground,1/4,stud 6-14AWG,Al	240-018	240-018	240-018
Switch,SpDskMan230FFI,Lds,B	240-030	240-030	240-030
WireCap,Crimp,Insl,0.048-0.075	240-051	240-051	240-051
Wire End Cap,22-10AWG Insul	240-077	240-077	240-077
Lbl,Ground	240-108	240-108	240-108
Fan, NRG130	240-114	240-114	240-114
SensorTempDuplex1/4"BSP5mmx47	240-132	240-132	240-132
SensorTempDuplex1/8"BSP,5mmx16	240-133	240-133	240-133
SFC 125 Fan Insert 50mm	240-144	240-124	240-142
NTC CLIPSENSOR 10K3 22mm MOLEX	240-154	240-154	240-154
Huba Pressure Sensor (Bayonet)	240-180	240-180	240-180
VC Grommet	240-181	240-181	240-181
VC Igniter (Kanthal APM 3.0)	240-182	240-182	240-182
Gskt, Ignitor	250-050B1	250-050B1	250-050B1
Housing,Viewport	250-057C3	250-057C3	250-057C3
Glass Insert, Viewport	250-059A1	250-059A1	250-059A1
Brkt, Boiler Mntg, SL115	250-183B1	250-183B1	250-183B1
ST,SHT,4x8,16GA,A653-33/CSB,GA	260-012	260-012	260-012
Scrw,thumb,#8-32x0.375,SS	250-275B1	250-275B1	250-275B1
IG Blr, Gskt, Fan Outlet	250-627A1	250-627A1	250-627A1
3/4" BSPP, Gas Line Nut	250-811A1	250-811A1	250-811A1
Gas Inlet, 3/4" G to 1/2 NPT"	250-820B1	250-820B1	250-820B1
Rating Label Mounting Plate,G3	250-844A1	250-844A1	250-844A1
Galva Sheet .0510x48x96inch	260-002	260-002	260-002



Section 4.1 - VX Cross Reference Look-Up

INTERNAL COMPONENTS REFERENCE LIST

DESCRIPTION	VX 110	VX 150	VX 199
P501 connector retainer	250-925J	250-925J	250-925J
Galva Sheet .0510x48x96inch	260-002	260-002	260-002
Intake Duct 3", PPs	250-942A1	250-942A1	250-942A1
DUCT SUPPORT LOCK WASHER	251-085A1	251-085A1	251-085A1
Galva Sheet .0510x48x96inch	260-002	260-002	260-002
VC30 Supply Pipe Assm+Oring	251-117R1	251-117R1	251-117R1
VC30 return Pipe Assm+Oring	251-120R1	251-120R1	251-120R1
COPPER GAS LINE	251-134R2	251-134R2	251-134R2
VC-3"Exhaust flue/collar asy	251-142A1	251-142A1	251-142A1
VC Fan Insert	251-143A1	251-143A1	251-143A1
SS, SHT, 4x8, 24GA	260-020	260-020	260-020
1.24"ID x 5"OD x 3/8 gasket	255-154B1	255-154B1	255-154B1
VC BOILER CONDENSATE TRAP CLIP	251-159A1	251-159A1	251-159A1
VC BOILER CONTROLLER ENCLOSURE	251-160F1	251-160F1	251-160F1
Galva Sheet .0510x48x96inch	260-002	260-002	260-002
VC BOILER WATER PIPE BRACKETS	251-161B1	251-161B1	251-161B1
Galva Sheet .1080x48x96inch	260-001	260-001	260-001
VC BOILER TEMP SWITCH BRKT	251-162A1	251-162A1	251-162A1
Galva Sheet .0510x48x96inch	260-002	260-002	260-002
VC BOILER TERM BLOCK COVER	251-163A1	251-163A1	251-163A1
Galva Sheet .0510x48x96inch	260-002	260-002	260-002
CASE BOTTOM	251-164B1	251-180C1	251-190B1
Galva Sheet .0510x48x96inch	260-002	260-002	260-002
CASE LEFT	251-165C1	251-181C1	251-191B1
ST,SHT,4x8,0.033,Plastisol Blk	260-019	260-019	260-019
CASE RIGHT	251-166D1	251-182C1	251-192C1
ST,SHT,4x8,0.033,Plastisol Blk	260-019	260-019	260-019
CASE BACK	251-167B1	251-183B1	251-193A1
Galva Sheet .0510x48x96inch	260-002	260-002	260-002
CASE LID	251-168C1	251-184C1	251-194B1
ST,SHT,4x8,0.033,Plastisol Blk	260-019	260-019	260-019
DUCT SUPPORT	251-169C1	251-185C1	251-195A1
Galva Sheet .0510x48x96inch	260-002	260-002	260-002
CASE LID	251-168C1	251-184C1	251-194B1
ST,SHT,4x8,0.033,Plastisol Blk	260-019	260-019	260-019
DUCT SUPPORT	251-169C1	251-185C1	251-195A1
Galva Sheet .0510x48x96inch	260-002	260-002	260-002
TOP HEX BRKT	251-170A1	251-186B1	251-196B1
Galva Sheet .0510x48x96inch	260-002	260-002	260-002
BOTTOM HEX BRKT	251-171B1	251-187B1	251-197A1
Galva Sheet .0510x48x96inch	260-002	260-002	260-002
GAS VALVE SUPPORT BRKT	251-173A1	251-189A1	251-199A1



Section 4.1 - VX Cross Reference Look-Up

INTERNAL COMPONENTS REFERENCE LIST

DESCRIPTION	VX 110	VX 150	VX 199
ST,SHT,4x8,22GA,A653-33/CSB,GA	260-013	260-013	260-013
Gskt- Sight Glass to Lid, SL	255-023A1	255-023A1	255-023A1
Gskt- Viewport Upper	255-025A1	255-025A1	255-025A1
Gskt, Burner	255-034A1	255-141	255-141
Cabinet Foam	255-142A1	255-144A1	255-146A1
Refractory	255-151A1	255-152A1	255-153A1
VC Water Pipe Seal	255-155A1	255-155A1	255-155A1
Harness seal 3/8"IDx1.25"OD	255-156A1	255-156A1	255-156A1
ThrdLkr Medium, Loctite 243	300-001	300-001	300-001
ThrdLkr Wicking, Loctite 290	300-002	300-002	300-002
Thread HydroSeal, Loctite 545	300-003	300-003	300-003
SIIC Module	500-078C1	500-078C1	500-078C1
SIM + Label	080-232A4	080-232A4	080-232A4
Roll,TT,Chr Polysty,3.1x6.4	130-002A	130-002A	130-002A
SIM+ Brd w/Fan cntrl, PCB Assy	230-005A1	230-005A1	230-005A1
SICC Box Top	250-750E1	250-750E1	250-750E1
SICC Box Tray	250-751E1	250-751E1	250-751E1
Asy,Cntrl,TS,V10,115/160/199G3	500-103B1	500-103B1	500-103B1
Lbl,Term Blocks,CntrlV10.0	080-121C1	080-121C1	080-121C1
Lbl,IntertekMrk,CntrlV10.0	080-127C1	080-127C1	080-127C1
Roll,TT,Wht Polysty,2.8x2.06	130-003A	130-003A	130-003A
Scrw,PnHd,Phil,Zn,6-32x3/8	150-014	150-014	150-014
PopRivet,S/S,1/8x1/8Grip	150-031	150-031	150-031
Cbl,TieHldr,Screw Mnt,#4	150-035	150-035	150-035
Spacer,Hex,M-F,Al,#6-32x0.75	150-096	150-096	150-096
Wire,Strnd,18AWG,Bu,TR64,CSA	210-011	210-011	210-011
Asy,Controller,PCBA,V10.0	230-004A1	230-004A1	230-004A1
Battery, Lithium Coin	240-024	240-024	240-024
TermBlk,Horiz Plug 2Posn 5mm	240-061	240-061	240-061
TermBlk,Horiz Plug 10Posn 5mm	240-062	240-062	240-062
TermBlk,Horiz Plug 12 Posn 5mm	240-064	240-064	240-064
Seal,Cntrlr Cover f/display	250-553E2	250-553E2	250-553E2
Controller Cover V10	250-591D1	250-591D1	250-591D1
SUS 4' x 8' 22GA 304 #4	260-014	260-014	260-014
Controller, PCB Chassis, G3	250-826F1	250-826F1	250-826F1
Galva Sheet .0510x48x96inch	260-002	260-002	260-002
Cbl,TieHldr,Screw Mnt,#4	150-035	150-035	150-035
S-632-1Z1 NUT	150-292	150-292	150-292
S-832-1Z1 NUT	150-293	150-293	150-293
SO-632-14Z1 STANDOFF	150-297	150-297	150-297
BSO-632-16Z1 BLIND STANDOFF	150-285	150-285	150-285
BSO-632-22Z1 BLIND STANDOFF	150-286	150-286	150-286



Section 4.1 - VX Cross Reference Look-Up

INTERNAL COMPONENTS REFERENCE LIST

DESCRIPTION	VX 110	VX 150	VX 199
P501 connector retainer	250-925J	250-925J	250-925J
Galva Sheet .0510x48x96inch	260-002	260-002	260-002
Door Assy	500-180A1	500-181A1	500-182A1
Lbl,Ctrl V10.0 ElecLdrEN/FRclr	080-123B1	080-123B1	080-123B1
Lbl,Safety FR/Eng,SL Series	080-206B1	080-206B1	080-206B1
Lbl, Door Badge, G3	080-238A1	080-238A1	080-238A1
PopRivet,S/S,1/8x1/8Grip	150-031	150-031	150-031
WeatherStripping,1/2"Wx1/8"	150-191	150-191	150-191
CASE DOOR	251-172B1	251-188B1	251-198B1
SUS 4' x 8' 22GA 304 #4	260-014	260-014	260-014
Door Foam	255-143R3	255-145R3	255-147R2
VC Door Upper Foam Strip	255-148R2	255-148R2	255-148R2
VC Door Lower Foam Strip	255-149R2	255-149R2	255-149R2
Install kit	500-183A1	500-184A1	500-185A1
Controller Manual EX/VX/SL 2.0	120-330E2	120-330E2	120-330E2
Install manual, VX En	120-347E	120-347E	120-347E
Install manual, VX Fr	120-347F	120-347F	120-347F
User manual, VX En	120-348E	120-348E	120-348E
VX quick reference install gui	120-368E1	120-368E1	120-368E1
Cap,Vinyl,3/4-13/16,Tube,Black	150-011	150-011	150-011
Scrw,Hex,Lag,Zn,1/4x2-1/2	150-113	150-113	150-113
Wshr,Flat,SAE,Zn,5/16	150-114	150-114	150-114
Valve,PressRelief,3/4NPT,30psi	180-005	180-005	180-005
Condensate trap Walraven	180-013B	180-013B	180-013B
Hose,3/4Flex,IG	180-128	180-128	180-128
Sensor, Outdoor Temp, Tekmar	240-025	240-025	240-025
Vent Pressure Test Adapter	251-018	251-018	251-018
Test Port Scrw,PP exhaust duct	150-310	150-310	150-310
Adpter, 1/4" Stem to 1/4" Barb	190-191	190-191	190-191
Fuel Conv	P-1500	P-1502	P-1504
Lbl,Fuel Conv Fuel Select	080-107B1	080-107B1	080-107B1
Lbl, Fuel Conv Install, NG-Pro	080-244B1	080-244B1	080-244B1
Lbl,RtgOvly NG-Pro	080-308A	080-310A	080-312A
NG-LP Fuel Conv	120-349	120-351	120-353
O-Ring,IG Boiler,2mmx19ID	150-175	150-175	150-175
Orifice, IG	180-194A	180-300	180-096
Lbl,EnergyGuide Yellow	900-200R2	900-200R2	900-200R2





VXTM SERIES



IBC Technologies Inc.
info@ibcboiler.com • www.ibcboiler.com

Toll Free: 1-844-HEAT IBC / 1-844-432-8422



1702 Taylors Lane,
Cinnaminson, NJ 08077
Tel: 856-887-0544
Fax: 856-735-5584

4507 South Taylor Drive,
Sheboygan, WI 53081
Tel: 920-783-8340
Fax: 920-783-8339



8015 North Fraser Way
Burnaby, BC V5J 5M8
Tel: 604-877-0277
Fax: 604-877-0295

Unit 1, 125 Edgeware Rd,
Brampton, ON L6Y 0P5
Tel: 604-877-0277
Fax: 604-877-0295



IBC[®]