



OATEY® QUARTER TURN ANGLE VALVES TECHNICAL SPECIFICATION

Job Name _____	Item # _____
Location _____	
Engineer _____	Contractor _____
PO # _____	Tag _____
Representative _____	

SPECIFICATIONS

Oatey® Quarter Turn Angle Valves shall be used in residential or commercial applications requiring distribution of potable hot and cold water that are in accessible locations only. The valves can be used for the following: faucets, water coolers, refrigerators, ice makers, dishwashers and instantaneous hot water dispensers. The valves are built from high quality materials and shall contain a brass forged chrome-plated body and solid brass stem as well as a solid brass chrome-plated ball. Oatey quarter turn angle valves shall be quarter turn, feature a full-size handle and feature PTFE seats to allow for easy operability of the valve. The valves shall also feature a double o-ring seal on the stem connection to the ball. The valve shall also be available in multiple inlet and outlet connection types to meet desired applications and water supply line connections. Oatey quarter turn and valves shall meet the necessary listings and certifications required under NSF, ANSI and ASME, as well as be UPC listed.

APPROVALS AND LISTINGS

Listings & Certifications	
NSF/ANSI/CAN 61-2021	IAPMO Certified
NSF/ANSI/CAN 372-2022	IAPMO Certified
ASME A112.18.1-2018/ CSA B125.1-18	IAPMO Certified
UPC	IAPMO Certified

FEATURES & MATERIALS

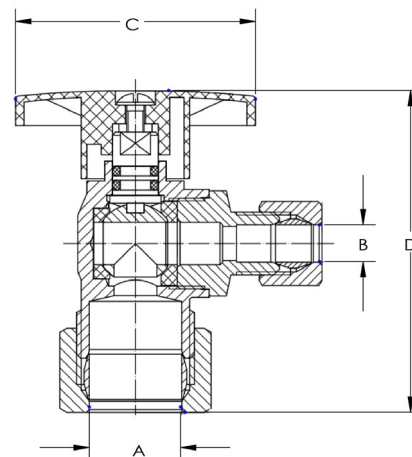
Operating Specifications	
Temperature	40F to 160F
Pressure	125 PSI Maximum

Component	Material Composition
Handle Screw	Stainless Steel
Handle	ABS, Chrome Plated
Stem	Brass
Stem O-Ring	NBR
Stop Body	Low Lead Brass, Chrome Plated
Ball Disc Packing	PTFE
Ball	Low Lead Brass, Chrome Plated
Outlet Plug	Low Lead Brass, Chrome Plated
Compression Ring	Brass, Chrome Plated
Compression Nut	Brass, Chrome Plated

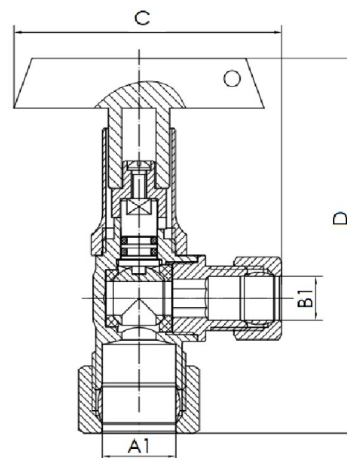


4700PCLF

STANDARD HANDLE



LOOSE-KEY HANDLE



Access BIM/Revit content through www.oatey.com



OATEY® QUARTER TURN ANGLE VALVES TECHNICAL SPECIFICATION

Job Name _____	Item # _____
Location _____	
Engineer _____	Contractor _____
PO # _____	Tag _____
Representative _____	

Compression x Compression

Select ✓	Product Number	Item Description	Dimension A	Dimension B	Dimension C (Inches)	Dimension D (Inches)	Packaging Type	Ctn Qty
	4700PCLF	QUARTER TURN ANGLE STOP 5/8 OD (1/2 NOM COPPER) X 1/4 OD	1/2 Nom Copper	1/4 OD	1.73	2.23	Box	24
	4700PCLFBG	QUARTER TURN ANGLE STOP 5/8 OD (1/2 NOM COPPER) X 1/4 OD BAGGED	1/2 Nom Copper	1/4 OD	1.73	2.23	Bag	60
	4701PCLF	QUARTER TURN ANGLE STOP 5/8 OD (1/2 NOM COPPER) X 3/8 OD	1/2 Nom Copper	3/8 OD	1.73	2.23	Box	24
	4701PCLFBG	QUARTER TURN ANGLE STOP 5/8 OD (1/2 NOM COPPER) X 3/8 OD BAGGED	1/2 Nom Copper	3/8 OD	1.73	2.23	Bag	60
	4702PCLF	QUARTER TURN ANGLE STOP 5/8 OD (1/2 NOM COPPER) X 7/16 OD	1/2 Nom Copper	7/16 OD	1.73	2.23	Box	12
	4703PCLF	QUARTER TURN ANGLE STOP 5/8 OD (1/2 NOM COPPER) x 1/2 OD	1/2 Nom Copper	1/2 OD	1.73	2.23	Box	12
	4703PCLFBG	QUARTER TURN ANGLE STOP 5/8 OD (1/2 NOM COPPER) x 1/2 OD BAGGED	1/2 Nom Copper	1/2 OD	1.73	2.23	Bag	60
	4704PCLF	QUARTER TURN ANGLE STOP 1/2 OD (3/8 NOM COPPER) X 3/8 OD	3/8 Nom Copper	3/8 OD	1.73	2.26	Box	12
	4704PCLFBG	QUARTER TURN ANGLE STOP 1/2 NOM COMP X 3/8 OD COMP- BAGGED	1/2 Nom Copper	3/8 OD	1.73	2.26	Bag	60

FIP x Compression

Select ✓	Product Number	Item Description	Dimension A	Dimension B	Dimension C (Inches)	Dimension D (Inches)	Packaging Type	Ctn Qty
	4705PCLF	QUARTER TURN ANGLE STOP 1/2 FIP X 1/4 OD COMP	1/2 FIP	1/4 OD	1.73	1.97	Box	24
	4705PCLFBG	QUARTER TURN ANGLE STOP 1/2 FIP X 1/4 OD COMP BAGGED	1/2 FIP	1/4 OD	1.73	1.97	Bag	60
	4706PCLF	QUARTER TURN ANGLE STOP 3/8 FIP X 3/8 OD COMP	3/8 FIP	3/8 OD	1.73	1.91	Box	24
	4706PCLFBG	QUARTER TURN ANGLE STOP 3/8 FIP X 3/8 OD COMP BAGGED	3/8 FIP	3/8 OD	1.73	1.91	Bag	60
	4707PCLF	QUARTER TURN ANGLE STOP 1/2 FIP X 3/8 OD COMP	1/2 FIP	3/8 OD	1.73	1.97	Box	24
	4707PCLFBG	QUARTER TURN ANGLE STOP 1/2 FIP X 3/8 OD COMP BAGGED	1/2 FIP	3/8 OD	1.73	1.97	Bag	60
	4708PCLF	QUARTER TURN ANGLE STOP 1/2 FIP X 1/2 OD COMP	1/2 FIP	1/2 OD	1.73	1.97	Box	24
	4708PCLFBG	QUARTER TURN ANGLE STOP 1/2 FIP X 1/2 OD COMP BAGGED	1/2 FIP	1/2 OD	1.73	1.97	Bag	60
	4709PCLF	QUARTER TURN ANGLE STOP 1/2 FIP X 7/16 SLIP JOINT	1/2 FIP	7/16 SLIP	1.73	1.97	Box	24

Access BIM/Revit content through www.oatey.com



OATEY® QUARTER TURN ANGLE VALVES TECHNICAL SPECIFICATION

Job Name _____	Item # _____
Location _____	
Engineer _____	Contractor _____
PO # _____	Tag _____
Representative _____	

Sweat x Compression

Select ✓	Product Number	Item Description	Dimension A	Dimension B	Dimension C (Inches)	Dimension D (Inches)	Packaging Type	Ctn Qty
	4710PCLF	QUARTER TURN ANGLE STOP 1/2 COPP SWEAT X 3/8 OD	1/2 COPP SWEAT	3/8 OD	1.73	2.00	Box	24
	4710PCLFBG	QUARTER TURN ANGLE STOP 1/2 COPP SWEAT X 3/8 OD BAGGED	1/2 COPP SWEAT	3/8 OD	1.73	2.00	Bag	60
	4711PCLF	QUARTER TURN ANGLE STOP 1/2 COPP SWEAT X 1/2 OD	1/2 COPP SWEAT	1/2 OD	1.73	2.00	Box	24

PEX x Compression

Select ✓	Product Number	Item Description	Dimension A	Dimension B	Dimension C (Inches)	Dimension D (Inches)	Packaging Type	Ctn Qty
	4712PCLF	QUARTER TURN ANGLE STOP 1/2 NOM PEX X 3/8 OD	1/2 NOM PEX	3/8 OD	1.73	2.20	Box	24
	4712PCLFBG	QUARTER TURN ANGLE STOP 1/2 NOM PEX X 3/8 OD COMP- BAGGED	1/2 NOM PEX	3/8 OD	1.73	2.20	Bag	60

FIP x FIP

Select ✓	Product Number	Item Description	Dimension A	Dimension B	Dimension C (Inches)	Dimension D (Inches)	Packaging Type	Ctn Qty
	4713PCLF	QUARTER TURN ANGLE STOP 1/2 FIP X 1/2 FIP	1/2 FIP	1/2 FIP	1.73	1.97	Box	24

Compression x Flare

Select ✓	Product Number	Item Description	Dimension A	Dimension B	Dimension C (Inches)	Dimension D (Inches)	Packaging Type	Ctn Qty
	4714PCLFBG	QUARTER TURN ANGLE STOP 1/2 NOM COMP X 3/8 OD FLARE BAGGED	1/2 NOM	3/8 OD	1.73	2.23	Bag	60

FIP x Flare

Select ✓	Product Number	Item Description	Dimension A	Dimension B	Dimension C (Inches)	Dimension D (Inches)	Packaging Type	Ctn Qty
	4715PCLFBG	QUARTER TURN ANGLE STOP 1/2 FIP X 3/8 OD FLARE BAGGED	1/2 FIP	3/8 OD	1.73	1.97	Bag	60
	4716PCLFBG	QUARTER TURN ANGLE STOP 1/2 FIP X 1/2 OD FLARE BAGGED	1/2 FIP	1/2 OD	1.73	1.97	Bag	60

CPVC x Compression

Select ✓	Product Number	Item Description	Dimension A	Dimension B	Dimension C (Inches)	Dimension D (Inches)	Packaging Type	Ctn Qty
	4717PCLF	QUARTER TURN ANGLE STOP 1/2 NOM CPVC X 3/8 OD	1/2 NOM CPVC	3/8 OD	1.73	2.78	Box	24
	4717PCLFBG	QUARTER TURN ANGLE STOP 1/2 NOM CPVC X 3/8 OD BAGGED	1/2 NOM CPVC	3/8 OD	1.73	2.78	Bag	60

Access BIM/Revit content through www.oatey.com



OATEY® QUARTER TURN ANGLE VALVES TECHNICAL SPECIFICATION

Job Name _____	Item # _____
Location _____	
Engineer _____	Contractor _____
PO # _____	Tag _____
Representative _____	

Push Connect x Compression

Select ✓	Product Number	Item Description	Dimension A	Dimension B	Dimension C (Inches)	Dimension D (Inches)	Packaging Type	Ctn Qty
	4718PCPOLF	QUARTER TURN ANGLE STOP 1/2 NOM QUICK LOCK X 3/8 OD, 1/2 PIPING	1/2 NOM	3/8 OD	1.73	2.40	Box	24
	4719PCPOLF	QUARTER TURN ANGLE STOP 1/2 NOM QUICK LOCK X 7/16 OD SLIP JOINT, 1/2 PIPING	1/2 NOM	7/16 OD	1.73	2.40	Box	24
	4719PCPOBG	QUARTER TURN ANGLE STOP 1/2 NOM QUICK LOCK X 7/16 OD SLIP JOINT, 1/2 PIPING BAGGED	1/2 NOM	7/16 OD	1.73	2.40	Bag	60

F1960 X Compression

Select ✓	Product Number	Item Description	Dimension A	Dimension B	Dimension C (Inches)	Dimension D (Inches)	Packaging Type	Ctn Qty
	4720PCLFBG	QUARTER TURN ANGLE STOP 1/2 F1960 X 3/8 OD BAGGED	1/2 F1960	3/8 OD	1.73	2.20	Bag	60

Sweat with 5" Extension

Select ✓	Product Number	Item Description	Dimension A	Dimension B	Dimension C (Inches)	Dimension D (Inches)	Packaging Type	Ctn Qty
	4721PCLF	QUARTER TURN ANGLE STOP 1/2 NOM SWEAT W/5" EXT X 3/8 OD	1/2 NOM	3/8 OD	1.73	6.90	Box	24

Loose Key SKUs

Compression x Compression

Select ✓	Product Number	Item Description	Dimension A	Dimension B	Dimension C (Inches)	Dimension D (Inches)	Packaging Type	Ctn Qty
	4790PCLKBG	QUARTER TURN LOOSE KEY ANGLE STOP 1/2 NOM X 3/8 OD BAGGED	1/2 Nom Copper	3/8 OD	2.30	3.00	Bag	60
	4791PCLKBG	QUARTER TURN LOOSE KEY ANGLE STOP 1/2 NOM X 1/2 OD BAGGED	1/2 Nom Copper	1/2 OD	2.30	3.00	Bag	60

FIP x Compression

Select ✓	Product Number	Item Description	Dimension A	Dimension B	Dimension C (Inches)	Dimension D (Inches)	Packaging Type	Ctn Qty
	4792PCLKBG	QUARTER TURN LOOSE KEY ANGLE STOP 3/8 FIP X 3/8 OD BAGGED	3/8 FIP	3/8 OD	2.30	3.00	Bag	60
	4793PCLKBG	QUARTER TURN LOOSE KEY ANGLE STOP 1/2 FIP X 3/8 OD BAGGED	1/2 FIP	3/8 OD	2.30	3.00	Bag	60

Sweat x Compression

Select ✓	Product Number	Item Description	Dimension A	Dimension B	Dimension C (Inches)	Dimension D (Inches)	Packaging Type	Ctn Qty
	4794PCLKLF	QUARTER TURN LOOSE KEY ANGLE STOP 1/2 NOM SWEAT W/5" EXT X 3/8 OD	1/2 COPP SWEAT	3/8 OD	2.17	7.90	Box	24
	4795PCLK	QUARTER TURN LOOSE KEY ANGLE STOP 1/2 NOM SWEAT X 3/8 OD	1/2 COPP SWEAT	3/8 OD	2.30	3.00	Box	24

Access BIM/Revit content through www.oatey.com