

PROJECT: _____	UNIT TAG: _____	QUANTITY: _____
REPRESENTATIVE: _____	TYPE OF SERVICE: _____	DATE: _____
ENGINEER: _____	SUBMITTED BY: _____	DATE: _____
CONTRACTOR: _____	APPROVED BY: _____	DATE: _____
	ORDER NO.: _____	DATE: _____

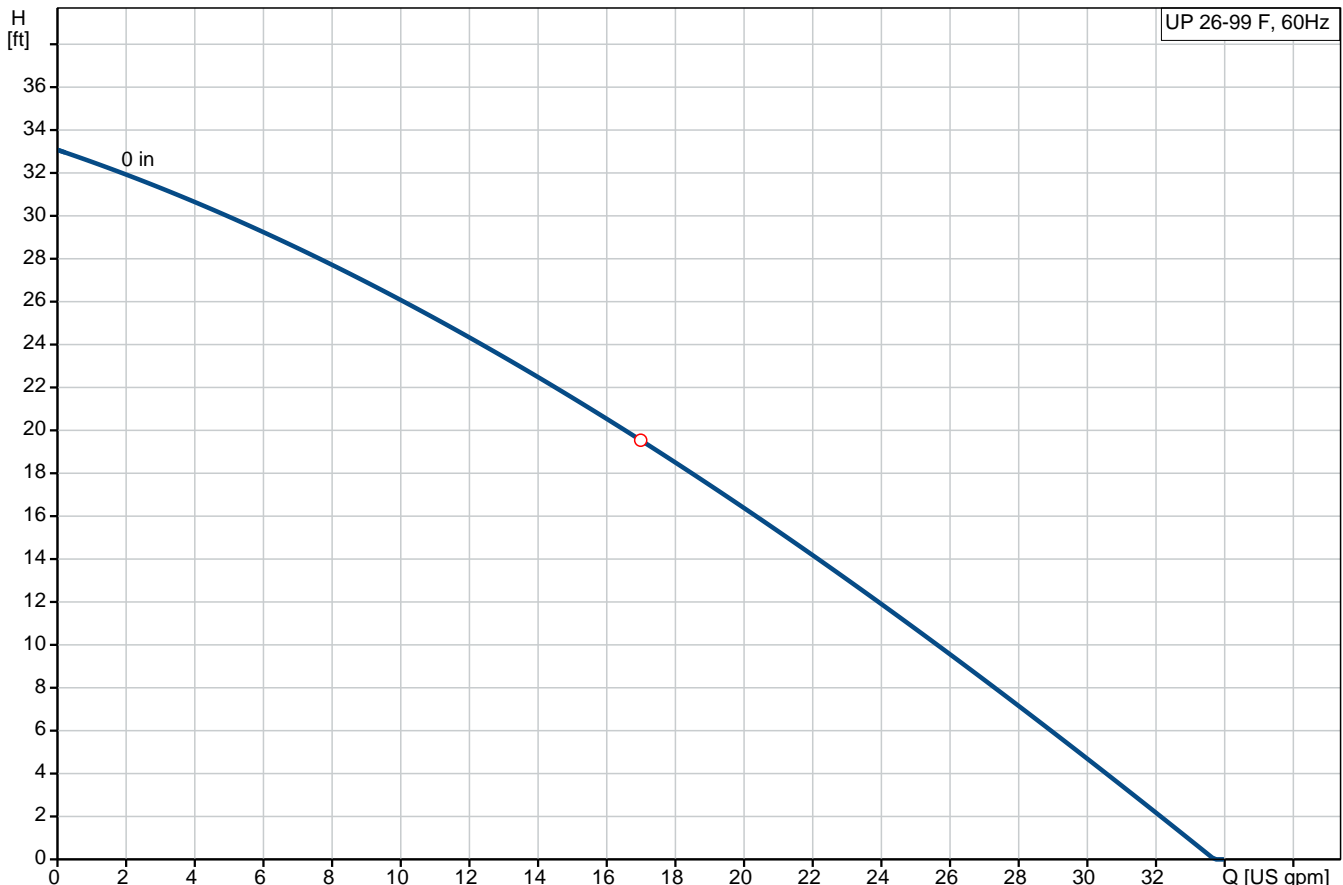
UP 26-99 F

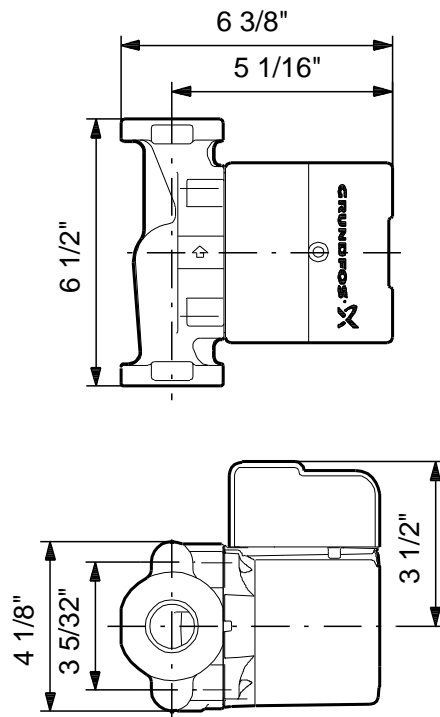
Circulator pumps



Product photo could vary from the actual product

Conditions of Service	Pump Data	Motor Data
Flow: _____	Maximum operating pressure: 145 psi	Max. power input: 245 W
Head: _____	Liquid temperature range: 32 .. 230 °F	Rated power - P2: 0.16 HP
Efficiency: _____	Maximum ambient temperature: 104 °F	Rated voltage: 230 V
Liquid: Water	Approvals: UL, CSA	Main frequency: 60 Hz
Temperature: 140 °F	Type of connection: C.I. Flange	Insulation class: F
NPSH required: ft	Flange standard: USA Oval	Motor protection: CONTACT
Viscosity: _____	Pipe connection: 2 - Bolt Flange	Thermal protection: internal
Specific Gravity: 0.985	Product number: 52722351	





Materials:

Pump housing: Cast iron
EN-JL1030
ASTM 30 B
Impeller: Composite, PES

Tender Text



Product photo could vary from the actual product

Product No.: [52722351](#)

UP 26-99 F

The pump is of the canned rotor type, i.e. pump and motor form an integral unit without shaft seal and with only two gaskets for sealing.

The bearings are lubricated by the pumped liquid.

The pump is characterized by:

- * Ceramic shaft and radial bearings.
- * Carbon axial bearing.
- * Stainless steel rotor can and bearing plate.
- * Corrosion-resistant impeller, Composite, PES.
- * Cast iron pump housing.

The motor is a 1-phase motor.

No additional motor protection is required.

Liquid:

Pumped liquid: Water
Liquid temperature range: 32 .. 230 °F
Liquid temperature during operation: 140 °F
Density: 61.35 lb/ft³

Technical:

Approvals on nameplate: UL, CSA

Materials:

Pump housing: Cast iron
EN-JL1030
ASTM 30 B
Impeller: Composite, PES

Installation:

Maximum ambient temperature: 104 °F
Ambient max at 176°F liquid: 176 °F
Maximum operating pressure: 145 psi
Flange standard: USA Oval
Type of connection: C.I. Flange
Pipe connection: 2 - Bolt Flange
Pressure stage: 10
Port-to-port length: 6 1/2 in

Electrical data:

Max. power input: 245 W
Rated power - P2: 0.16 HP
Main frequency: 60 Hz
Rated voltage: 1 x 230 V



Company name:

Created by:

Phone:


Date:

2/21/2018

Current in speed 3: 1.07 A
Capacitor size - run: 2.5 μ F/400 V
Number of poles: 2
Insulation class (IEC 85): F

Others:

Gross weight: 11.5 lb

Position	Count	Description
	1	<p>UP 26-99 F</p>  <p style="text-align: right;">Product photo could vary from the actual product</p> <p>Product No.: 52722351</p> <p>The pump is of the canned rotor type, i.e. pump and motor form an integral unit without shaft seal and with only two gaskets for sealing. The bearings are lubricated by the pumped liquid. The pump is characterized by:</p> <ul style="list-style-type: none"> * Ceramic shaft and radial bearings. * Carbon axial bearing. * Stainless steel rotor can and bearing plate. * Corrosion-resistant impeller, Composite, PES. * Cast iron pump housing. <p>The motor is a 1-phase motor. No additional motor protection is required.</p> <p>Liquid:</p> <p>Pumped liquid: Water Liquid temperature range: 32 .. 230 °F Liquid temperature during operation: 140 °F Density: 61.35 lb/ft³</p> <p>Technical:</p> <p>Approvals on nameplate: UL, CSA</p> <p>Materials:</p> <p>Pump housing: Cast iron EN-JL1030 ASTM 30 B</p> <p>Impeller: Composite, PES</p> <p>Installation:</p> <p>Maximum ambient temperature: 104 °F Ambient max at 176°F liquid: 176 °F Maximum operating pressure: 145 psi Flange standard: USA Oval Type of connection: C.I. Flange Pipe connection: 2 - Bolt Flange Pressure stage: 10 Port-to-port length: 6 1/2 in</p> <p>Electrical data:</p> <p>Max. power input: 245 W Rated power - P2: 0.16 HP Main frequency: 60 Hz Rated voltage: 1 x 230 V Current in speed 3: 1.07 A Capacitor size - run: 2.5 µF/400 V</p>



Company name:

Created by:

Phone:

Date: 2/21/2018

Position	Count	Description
		Number of poles: 2
		Insulation class (IEC 85): F
		Others:
		Gross weight: 11.5 lb



Company name:

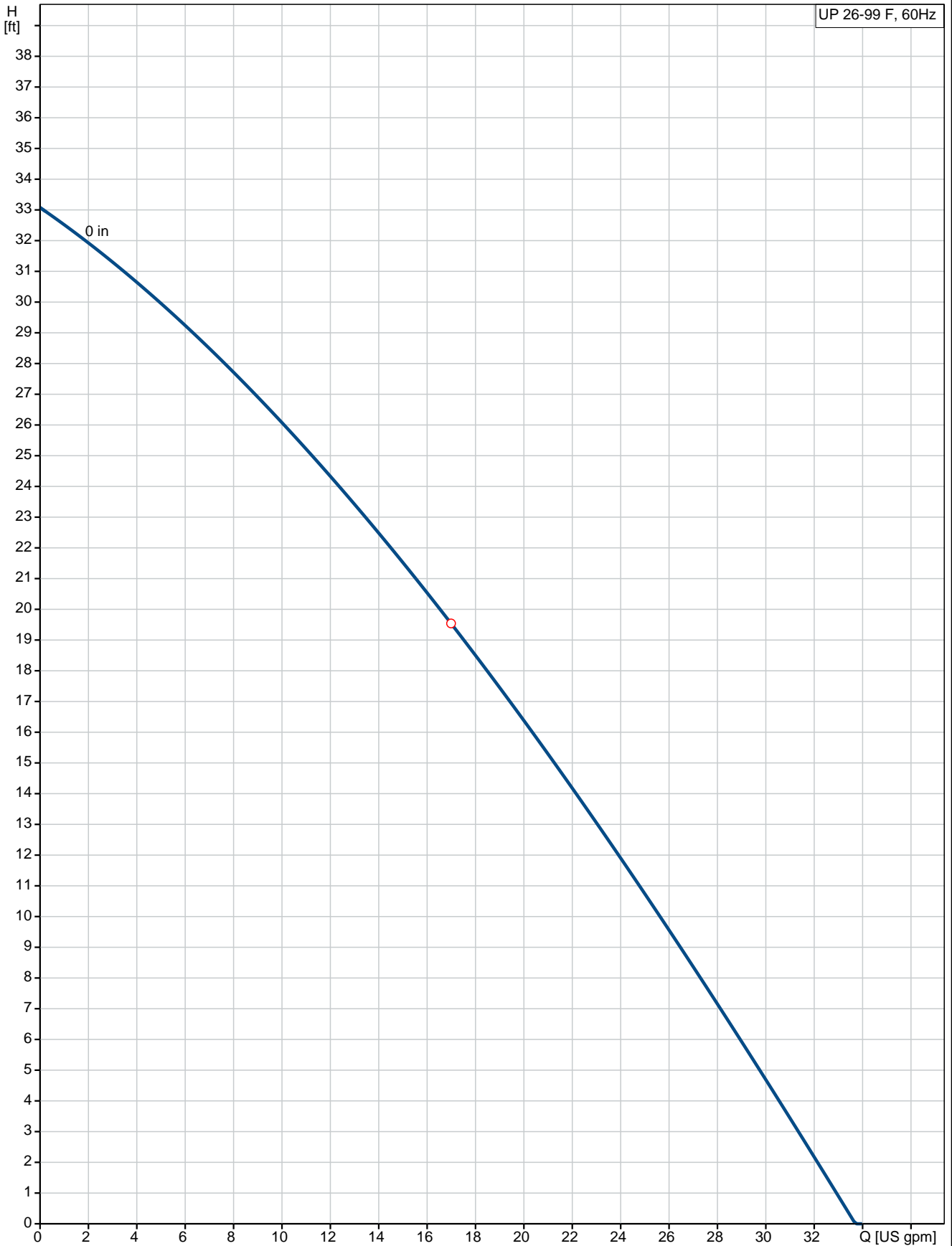
Created by:

Phone:

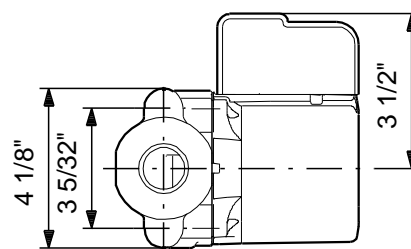
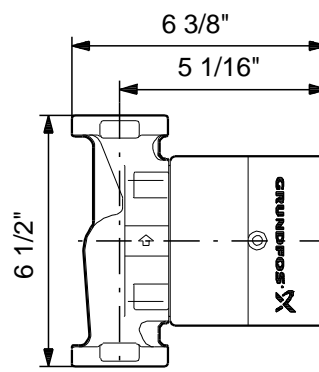
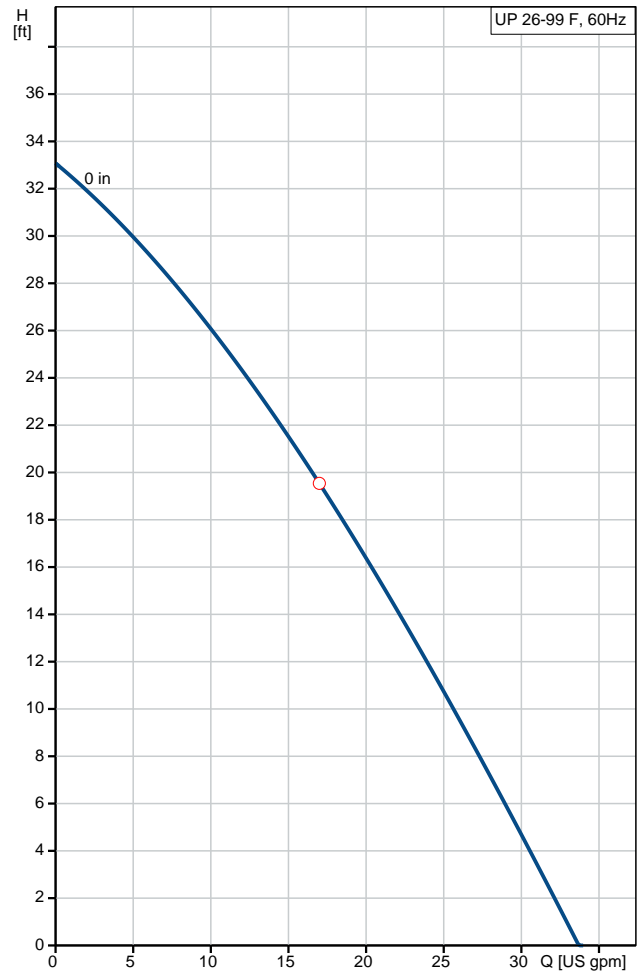
Date:

2/21/2018

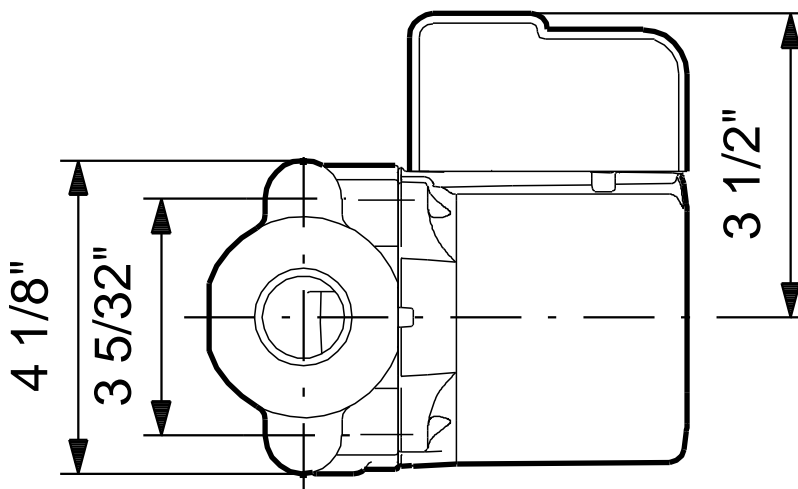
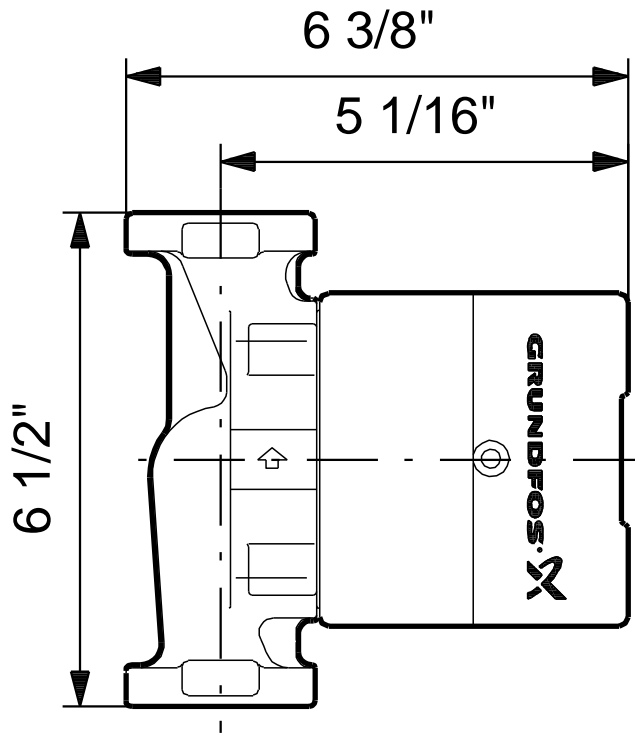
52722351 UP 26-99 F 60 Hz



Description	Value
General information:	
Product name:	UP 26-99 F
Product No.:	52722351
EAN:	5700391376634
Technical:	
Speed Number:	1
Max flow:	33.9 US gpm
Head max:	32.15 ft
Approvals on nameplate:	UL, CSA
Materials:	
Pump housing:	Cast iron EN-JL1030 ASTM 30 B
Impeller:	Composite, PES
Installation:	
Maximum ambient temperature:	104 °F
Ambient max at 176°F liquid:	176 °F
Maximum operating pressure:	145 psi
Flange standard:	USA Oval
Type of connection:	C.I. Flange
Pipe connection:	2 - Bolt Flange
Pressure stage:	10
Port-to-port length:	6 1/2 in
Liquid:	
Pumped liquid:	Water
Liquid temperature range:	32 .. 230 °F
Liquid temperature during operation:	140 °F
Density:	61.35 lb/ft ³
Electrical data:	
Max. power input:	245 W
Rated power - P2:	0.16 HP
Main frequency:	60 Hz
Rated voltage:	1 x 230 V
Current in speed 3:	1.07 A
Capacitor size - run:	2.5 µF/400 V
Number of poles:	2
Insulation class (IEC 85):	F
Motor protection:	CONTACT
Thermal protec:	internal
Controls:	
Pos term box:	9H
Others:	
Gross weight:	11.5 lb



52722351 UP 26-99 F 60 Hz



Note! All units are in [mm] unless otherwise stated.
Disclaimer: This simplified dimensional drawing does not show all details.



Company name:

Created by:

Phone:

Date: 2/21/2018

Order Data:

Product name: UP 26-99 F

Amount: 1

Product No.: 52722351

Total: Price on request
