

### Features

- Quarter-turn washerless ceramic disc valves.
- Vandal resistant aerator. Lower flow aerators available.
- Wristblade handle with red and blue indexing.
- For 8" (203 mm) centers.
- Gooseneck swing/rigid spout with 9 5/16 " (237 mm) reach.
- Less drain.
- 1.5 gpm (5.7 lpm) maximum flow rate at 60 psi (4.14 bar).

### Material

- Brass construction.
- Brass valve bodies.

### Recommended Products/Accessories

K-23723 Faucet cleaner



ADA

CSA B651

### Codes/Standards

ASME A112.18.1/CSA B125.1

NSF/ANSI 61

NSF/ANSI 372

All applicable US Federal and State material regulations

DOE - Energy Policy Act 1992

California Energy Commission (CEC)

ADA

ICC/ANSI A117.1

CSA B651

### KOHLER® One-Year Limited Warranty

See website for detailed warranty information.

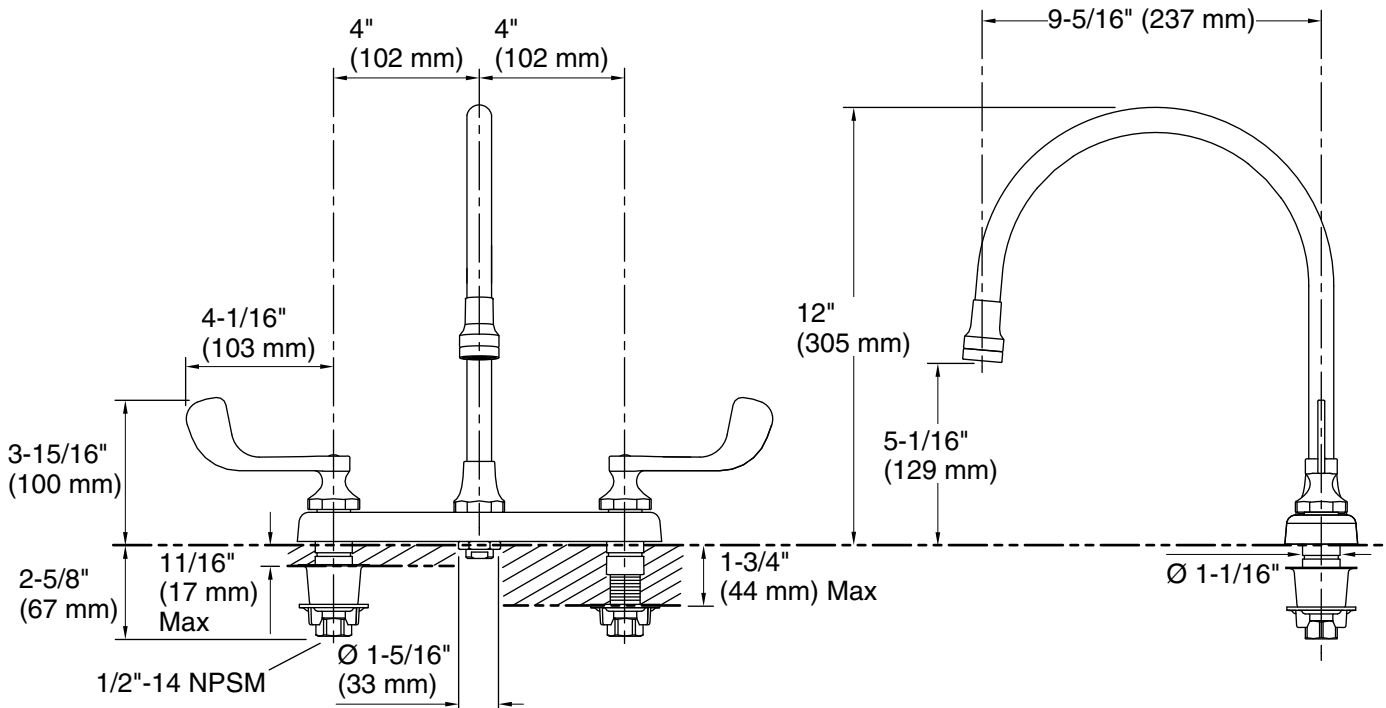
### Available Colors/Finishes

*Color tiles intended for reference only.*

Color	Code	Description
-------	------	-------------



CP	Polished Chrome
----	-----------------



**Technical Information**

All product dimensions are nominal.

**Faucet:**

Flow rate: 1.5 gal/min (5.7 l/min)

Pressure: 60 psi (4.1 bar)

**Spout:**

Spout reach: 9-5/16" (236 mm)

**Notes**

Install this product according to the installation guide.

ADA, CSA B651 compliant when installed to the specific requirements of these regulations.