

**SPECIFICATIONS**

**SOUTH SHORE™ SINGLE HANDLE LAVATORY FAUCET**

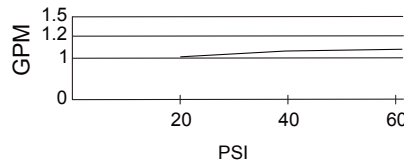
**Model**

D220887

**Description**

- Ceramic disc valve
- 4 3/8" high spout, 4 3/8" spout length
- Includes 50/50 touch down drain DA505219P with color-matching flange and cap and black tailpiece
- 1.2gpm (4.5L/min) maximum flow rate @60 psi
- Meets CEC Requirement

**Flow Rate**



**Standards**



NSF/ANSI 372

- NSF/ANSI 372

MEETS ASME A112.18.1M/A112.18.1

- ASME A112.18.1M/A112.18.1



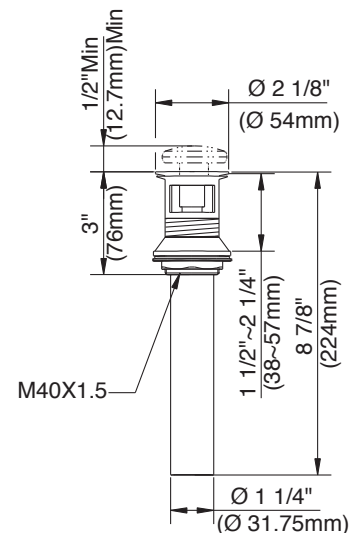
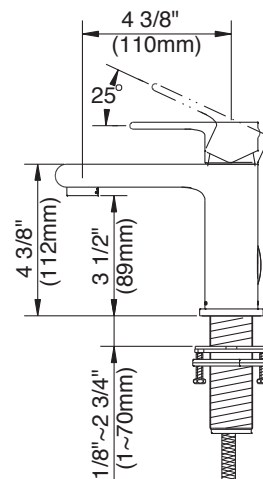
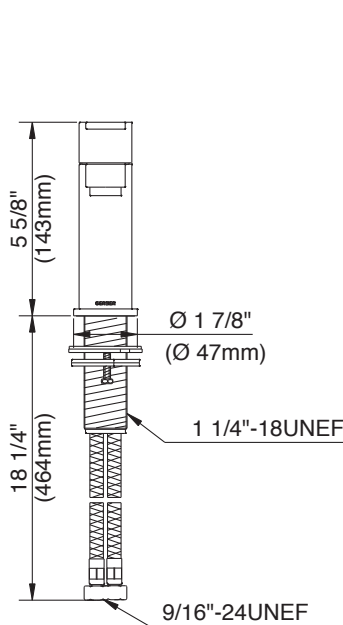
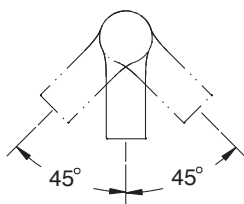
- ADA Accessibility Guidelines for Buildings and Facilities - 309.4 Operation for Operable Parts

**Finishes Available**

- Chrome
- Other: Refer to Price List for additional finish

**Warranty**

Danze products are covered by a manufacturer's limited "lifetime" warranty for manufacturing defects.



**Submittal Information:**

Job Name: \_\_\_\_\_  
 Contractor: \_\_\_\_\_

Location: \_\_\_\_\_  
 Contact #: \_\_\_\_\_