

SHARKBITE®

CATALOG



SHARKBITE

THE MARK OF QUALITY



LEAD-FREE/SAFETY*

All SharkBite® fittings are made of Lead Free DZR brass and exceed ASSE 1061 Section IV, 4.1 Materials-Dezincification (DZR)-ISO 6509 standards.

*Reference Page 26 for additional information.



VERSATILE

The ultimate range of push-to-connect plumbing fittings-the SharkBite Connection System has really taken hold with its ability to join Copper, CPVC, PEX or PE-RT pipe in any combination.



PROVEN AND GUARANTEED

In 1999, SharkBite became the first push-to-connect fitting to be release into the market. Manufacturing 100% of the components to our fittings and never outsourcing production to a 3rd party, we own the entire manufacturing process. All products are stamped with a manufacturing date and as of 2015, \$75M has been invested towards improvement and additions to our products. With over 1.5M successful SharkBite connections made each week, SharkBite continues to be the market leader in "push-to-connect" products.



NO TOOLS

No glue, solder, clamps or unions required when using SharkBite fittings, providing a quick and easy application that saves installers time, labor, and money.



FLEXIBILITY

SharkBite fittings can be rotated even after assembly allowing for easier installation in tight places.



RANGE

With the largest range of fittings in the industry, SharkBite SKU selection carries sizes ranging form 1/4"-2".

CERTIFICATIONS

- Approved to be used underground and behind walls without access panels
- Fittings are certified to 200 °F (93 °C) max and 200 PSI max
- Design certified to ANSI/NSF-61 and ASSE 1061 product standard for use in potable water and hydronic heating water distribution

TABLE OF CONTENTS

| | |
|---|-----------|
| SECTION 1: THE SHARKBITE CONNECTION SYSTEM | 3 |
| 1-A: Core Fittings | 3 |
| 1-B: Radiant Fittings | 7 |
| 1-C: Transition Fittings | 7 |
| 1-D: Fire Fittings | 8 |
| 1-E: Flex Hoses | 8 |
| 1-F: Stops & Fixture Supply Fittings | 9 |
| 1-G: Additional Products | 10 |
| 1-H: Kits | 11 |
| 1-I: Tools | 11 |
| SECTION 2: SHARKBITE VALVES | 12 |
| 2-A: Pressure Regulating Valves | 12 |
| 2-B: Thermostatic Mixing Valves | 13 |
| 2-C: Ball Valves & Check Valves | 13 |
| SECTION 3: SHARKBITE PEX BARB FITTINGS | 14 |
| 3-A: PEX Barb Core Fittings | 14 |
| 3-B: PEX Barb Transition Fittings | 16 |
| 3-C: PEX Barb Poly Alloy Fittings | 16 |
| 3-D: PEX Barb Fire Fittings | 17 |
| 3-E: PEX Barb Stop & Fixture Supply Fittings | 18 |
| 3-F: PEX Barb Additional Products | 18 |
| 3-G: PEX Barb Accessories | 19 |
| 3-H: PEX Barb Tools | 20 |
| BENEFITS OF SHARKBITE PEX | 21 |
| SECTION 4: SHARKBITE PEX PIPE | 22 |
| 4-A: Potable Water PEX Pipe | 22 |
| 4-B: Special Application PEX Pipe | 23 |
| MADE IN THE USA | 24 |
| LIMITED WARRANTY | 26 |



VISIT US ONLINE OR ON THE GO
www.sharkbite.com

SHARKBITE

CONNECTION SYSTEM

CUT. PUSH. DONE.

The SharkBite Connection System makes any plumbing project fast and easy with our unique push-to-connect technology. When you insert a pipe into the SharkBite quick connect fittings, the stainless steel teeth bite down and grip the pipe, while the specially formulated O-ring compresses to create the perfect watertight seal. No soldering, clamps, unions or glue.

Our product works with your existing plumbing, is easy to disassemble for changing and reusing fittings, and can be rotated for easier installation in tight spaces. Perfect for joining Copper, PEX, CPVC or PE-RT pipe, SharkBite is the no fuss way to fix small leaks or plumb a whole house.

Our proven system includes hundreds of products from dozens of different fittings, a wide range of push-to-connect valves and even our own SharkBite PEX Pipe to make completing a job even easier.

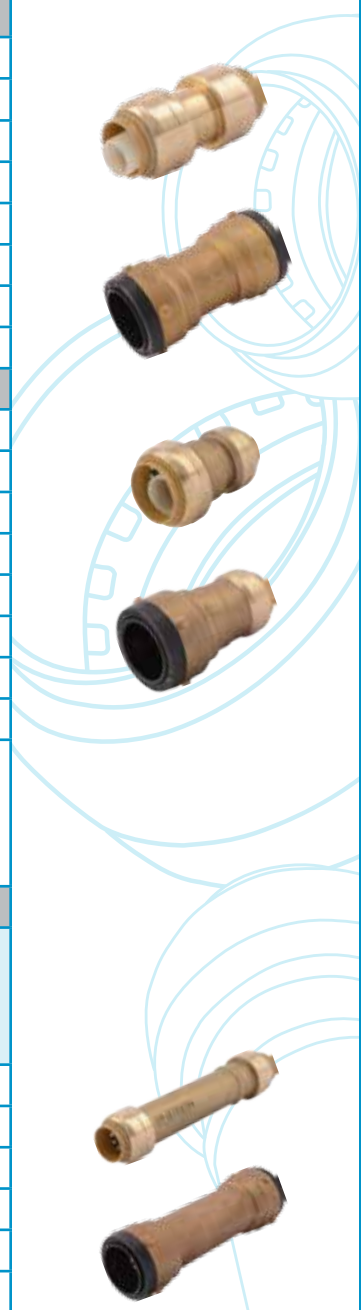
Compatible with many Cash Acme valves, try the SharkBite connection system for your next project and discover just how fast and easy fixing a leak or plumbing a house should be.

www.sharkbite.com

All SharkBite fittings are made of Lead Free DZR brass and exceed ASSE 1061 Section 1V, 4.1 Materials-Dezincification (DZR) - ISO 6509 standards.



| PRODUCT DESCRIPTION | | PART NUMBER |
|--|---|-------------|
| SECTION 1: THE SHARKBITE CONNECTION SYSTEM | | |
| 1-A: CORE FITTINGS | | |
| COUPLINGS | | |
| 1/4" (3/8" OD) X 1/4" (3/8" OD) | | U004LF |
| 3/8" (1/2" OD) X 3/8" (1/2" OD) | | U006LF |
| 1/2" X 1/2" | | U008LF |
| 3/4" X 3/4" | | U016LF |
| 1" X 1" | | U020LF |
| 2XL | 1-1/4" X 1-1/4" (For PEX applications, stiffeners are sold separately) | SB0135 |
| | 1-1/2" X 1-1/2" (For PEX applications, stiffeners are sold separately) | SB0141 |
| | 2" X 2" (For PEX applications, stiffeners are sold separately) | SB0154 |
| REDUCING COUPLINGS | | |
| 1/4" (3/8" OD) X 1/2" Reducing | | U050LF |
| 3/8" (1/2" OD) X 1/2" Reducing | | U009LF |
| 3/4" X 1/2" Reducing | | U058LF |
| 1" X 3/4" Reducing | | U060LF |
| 2XL | 1-1/4" X 1" Reducing (For PEX applications, stiffeners are sold separately) | SB013528 |
| | 1-1/2" X 1" Reducing (For PEX applications, stiffeners are sold separately) | SB014128 |
| | 1-1/2" X 1-1/4" Reducing (For PEX applications, stiffeners are sold separately) | SB014135 |
| | 2" X 1-1/2" Reducing (For PEX applications, stiffeners are sold separately) | SB015441 |
| SLIP FITTINGS | | |
| SharkBite slip couplings and tees are ideal for repairing and tapping into existing rigid pipe lines. The slip feature ensures the pipe is fully engaged into the fitting when the pipe is in a fixed position. The slip end is only suitable for use with Copper and CPVC pipe. | | |
| SLIP COUPLINGS (SLIP END ONLY SUITABLE FOR COPPER AND CPVC) | | |
| Slip couplings are the most efficient way to repair a burst pipe or leak. Slip fittings simply repair by doing the job that two couplings and extra pipe used to do. Only one end of the coupling has a slip, allowing the opposite end to slide freely over the end of a pipe. The fittings can then be released with a disconnect tool and slid back onto the other end of the pipe for a successful connection and leak repair. | | |
| 1/2" X 1/2" | | U3008LF |
| 3/4" X 3/4" | | U3016LF |
| 1" X 1" | | U3020LF |
| 2XL | 1-1/4" X 1-1/4" | SB0635 |
| | 1-1/2" X 1-1/2" | SB0641 |
| | 2" X 2" | SB0654 |

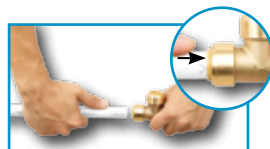


SECTION 1: THE SHARKBITE CONNECTION SYSTEM

HOW TO INSTALL SHARKBITE PUSH-TO-CONNECT PRODUCTS



CUT:
Cut the pipe square removing rough edges and debris. Mark the pipe to the correct insertion depth.



PUSH:
Push pipe and fitting together up to the depth mark.



DONE.



*Using the disconnect clip, fittings can be easily changed, removed and reused.



| PRODUCT DESCRIPTION | | PART NUMBER |
|--|---|-------------|
| FEMALE CONNECTORS | | |
| 1/4" (3/8" OD) X 1/2" FNPT Reducing | | U066LF |
| 3/8" (1/2" OD) X 1/2" FNPT Reducing | | U070LF |
| 1/2" X 3/4" FNPT Reducing | | U068LF |
| 1/2" X 1/2" FNPT Straight | | U072LF |
| 3/4" X 3/4" FNPT Straight | | U088LF |
| 3/4" X 1/2" FNPT Bullnose | | U092LF |
| 1" X 1" FNPT Straight | | U094LF |
| 2XL | 1-1/4" X 1-1/4" FNPT (For PEX applications, stiffeners are sold separately) | SB113532F |
| | 1-1/2" X 1-1/2" FNPT (For PEX applications, stiffeners are sold separately) | SB114140F |
| | 2" X 2" FNPT (For PEX applications, stiffeners are sold separately) | SB115450F |
| MALE CONNECTORS | | |
| 1/4" X 1/2" MNPT Reducing | | U110LF |
| 3/8" (1/2" OD) X 1/2" MNPT Reducing | | U118LF |
| 1/2" X 3/4" MNPT Reducing | | U116LF |
| 1/2" X 1/2" MNPT Straight | | U120LF |
| 3/4" X 3/4" MNPT Straight | | U134LF |
| 3/4" X 1/2" MNPT Bullnose | | U138LF |
| 3/4" X 1" MNPT Straight | | U139LF |
| 1" X 1" MNPT Straight | | U140LF |
| 1" X 3/4" MNPT Reducing | | U142LF |
| 2XL | 1-1/4" X 1-1/4" MNPT (For PEX applications, stiffeners are sold separately) | SB113532M |
| | 1-1/2" X 1-1/2" MNPT (For PEX applications, stiffeners are sold separately) | SB114140M |
| | 2" X 2" MNPT (For PEX applications, stiffeners are sold separately) | SB115450M |
| THREADED ADAPTERS | | |
| 3/4" CTS X 3/4" FNPT Threaded (CTS end inserts into any 3/4" SB fitting) | | U766LF |
| 1" CTS X 1" FNPT Threaded (CTS end inserts into any 1" SB fitting) | | U772LF |
| 90° ELBOWS | | |
| 1/4" (3/8" OD) X 1/4" (3/8" OD) | | U244LF |
| 3/8" (1/2" OD) X 3/8" (1/2" OD) | | U246LF |
| 1/2" X 1/2" | | U248LF |
| 3/4" X 3/4" | | U256LF |
| 1" X 1" | | U260LF |
| 2XL | 1-1/4" X 1-1/4" (For PEX applications, stiffeners are sold separately) | SB0235 |
| | 1-1/2" X 1-1/2" (For PEX applications, stiffeners are sold separately) | SB0241 |
| | 2" X 2" (For PEX applications, stiffeners are sold separately) | SB0254 |
| 45° ELBOWS | | |
| 2XL | 1-1/4" X 1-1/4" (For PEX applications, stiffeners are sold separately) | SB0535 |
| | 1-1/2" X 1-1/2" (For PEX applications, stiffeners are sold separately) | SB0541 |
| | 2" X 2" (For PEX applications, stiffeners are sold separately) | SB0554 |
| 45° STREET ELBOWS | | |
| 2XL | 1-1/4" X 1-1/4" (For PEX applications, stiffeners are sold separately) | SB0735 |
| | 1-1/2" X 1-1/2" (For PEX applications, stiffeners are sold separately) | SB0741 |
| | 2" X 2" (For PEX applications, stiffeners are sold separately) | SB0754 |

| PRODUCT DESCRIPTION | | PART NUMBER |
|---|--|-------------|
| FEMALE ELBOWS | | |
| 1/2" X 1/2" FNPT | | U308LF |
| 3/4" X 3/4" FNPT (Utilizes a U766LF thread adapter) | | U314LF |
| MALE ELBOWS | | |
| 1/2" X 1/2" MNPT | | U280LF |
| 3/4" X 3/4" MNPT | | U286LF |
| REDUCING ELBOWS | | |
| 1/2" X 3/8" (1/2" OD) | | U272LF |
| 3/4" X 1/2" | | U274LF |
| 1" X 3/4" | | U278LF |
| DROP-EAR ELBOWS | | |
| 3/8" (1/2" OD) X 1/2" FNPT Drop Ear | | U332LF |
| 1/2" X 1/2" Drop Ear | | U249LF |
| 1/2" X 1/2" FNPT Drop Ear | | U334LF |
| 3/4" X 3/4" FNPT Drop Ear | | U340LF |
| HY-EAR ELBOWS | | |
| 1/2" X 1/2" Hy-Ear | | U335LF |
| DISHWASHER ELBOWS | | |
| 1/4" (3/8" OD) X 3/8" MNPT Dishwasher | | U276LF |
| 1/4" (3/8" OD) X 3/4" Garden Hose Nut | | U2276LF |
| 1/2" X 3/8" MNPT Dishwasher | | U281LF |
| TEES | | |
| 1/4" (3/8" OD) X 1/4" (3/8" OD) X 1/4" (3/8" OD) | | U358LF |
| 3/8" (1/2" OD) X 3/8" (1/2" OD) X 3/8" (1/2" OD) | | U360LF |
| 1/2" X 1/2" X 1/2" | | U362LF |
| 3/4" X 3/4" X 3/4" | | U370LF |
| 1" X 1" X 1" | | U374LF |
| 2XL | 1-1/4" X 1-1/4" X 1-1/4" (For PEX applications, stiffeners are sold separately) | SB0835 |
| | 1-1/2" X 1-1/2" X 1-1/2" (For PEX applications, stiffeners are sold separately) | SB0841 |
| | 2" X 2" X 2" (For PEX applications, stiffeners are sold separately) | SB0854 |
| REDUCING TEES | | |
| 3/8" (1/2" OD) X 3/8" (1/2" OD) X 1/2" Reducing | | U364LF |
| 1/2" X 1/2" X 1/4" (3/8" OD) Reducing | | U359LF |
| 1/2" X 1/2" X 3/8" (1/2" OD) Reducing | | U363LF |
| 3/4" X 3/4" X 1/2" Reducing | | U412LF |
| 3/4" X 1/2" X 3/4" Reducing | | U444LF |
| 3/4" X 1/2" X 1/2" Reducing | | U454LF |
| 1" X 1" X 3/4" Reducing | | U416LF |
| 2XL | 1-1/4" X 1-1/4" X 1/2" Reducing Tee (For PEX applications, stiffeners are sold separately) | SB08353516 |
| | 1-1/4" X 1-1/4" X 3/4" Reducing Tee (For PEX applications, stiffeners are sold separately) | SB08353522 |
| | 1-1/4" X 1-1/4" X 1" Reducing Tee (For PEX applications, stiffeners are sold separately) | SB08353528 |
| | 1-1/2" X 1-1/2" X 3/4" Reducing Tee (For PEX applications, stiffeners are sold separately) | SB08414122 |
| | 1-1/2" X 1-1/2" X 1" Reducing Tee (For PEX applications, stiffeners are sold separately) | SB08414128 |
| | 1-1/2" X 1-1/2" X 1-1/4" Reducing Tee (For PEX applications, stiffeners are sold separately) | SB08414135 |

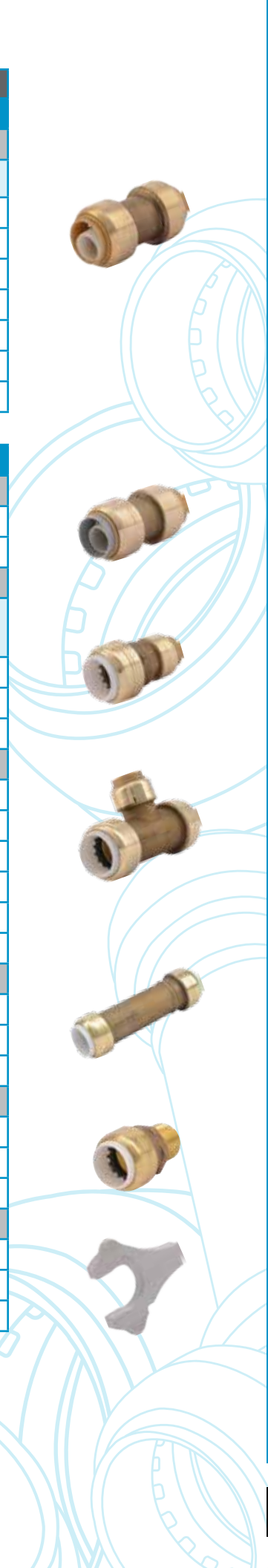




| PRODUCT DESCRIPTION | | PART NUMBER |
|--|--|-------------|
| 2XL | 2" X 2" X 1" Reducing Tee (For PEX applications, stiffeners are sold separately) | SB08545428 |
| | 2" X 2" X 1-1/4" Reducing Tee (For PEX applications, stiffeners are sold separately) | SB08545435 |
| | 2" X 2" X 1-1/2" Reducing Tee (For PEX applications, stiffeners are sold separately) | SB08545441 |
| FEMALE CENTER TEES | | |
| 3/4" X 3/4" X 3/4" FNPT | | U462LF |
| 1" X 1" X 1" FNPT | | U464LF |
| SLIP TEES (SLIP END ONLY SUITABLE FOR COPPER AND CPVC) | | |
| Slip tees are a great solution for tapping into existing pipe where additional supply lines are needed. Easily add an ice maker or dishwasher line using in conjunction with SharkBite straight and angle stops. | | |
| 1/2" X 1/2" X 1/2" | | U3362LF |
| 3/4" X 3/4" X 3/4" | | U3370LF |
| 2XL | 1-1/4" X 1-1/4" | SB0335 |
| | 1-1/2" X 1-1/2" | SB0341 |
| | 2" X 2" | SB0354 |
| FEMALE CENTER SLIP TEES (SLIP END ONLY SUITABLE FOR COPPER AND CPVC) | | |
| 1/2" X 1/2" X 1/2" FNPT Female Center | | U3482LF |
| 3/4" X 3/4" X 3/4" FNPT Female Center | | U3486LF |
| SERVICE SLIP TEE ADAPTER (SLIP END ONLY SUITABLE FOR COPPER AND CPVC) | | |
| 1/2" X 1/2" X 1/2" CTS Tail Adapter Service Line Tee (CTS end inserts into any 1/2" SB fitting) | | U4482LF |
| REDUCING SLIP TEES (ONLY SUITABLE FOR COPPER AND CPVC-MIDDLE BRANCH MAY BE USED WITH PEX) | | |
| 2XL | 1-1/4" X 1-1/4" X 1/2" Reducing | SB03353516 |
| | 1-1/4" X 1-1/4" X 3/4" Reducing | SB03353522 |
| | 1-1/4" X 1-1/4" X 1" Reducing | SB03353528 |
| | 1-1/2" X 1-1/2" X 3/4" Reducing | SB03414122 |
| | 1-1/2" X 1-1/2" X 1" Reducing | SB03414128 |
| | 1-1/2" X 1-1/2" X 1-1/4" Reducing | SB03414135 |
| | 2" X 2" X 1" Reducing | SB03545428 |
| | 2" X 2" X 1-1/4" Reducing | SB03545435 |
| 2" X 2" X 1-1/2" Reducing | SB03545441 | |
| END CAPS | | |
| 3/8" (1/2" OD) | | U512LF |
| 1/2" | | U514LF |
| 3/4" | | U518LF |
| 1" | | U520LF |
| 2XL | 1-1/4" (For PEX applications, stiffeners are sold separately) | SB0435 |
| | 1-1/2" (For PEX applications, stiffeners are sold separately) | SB0441 |
| | 2" (For PEX applications, stiffeners are sold separately) | SB0454 |
| FITTING REDUCERS (USE TO CONNECT TO SMALLER PIPE SIZES) | | |
| 3/8" (1/2" OD) X 1/2" CTS (CTS end inserts into any 1/2" SB fitting) | | U719LF |
| 3/8" (1/2" OD) X 3/4" CTS (CTS end inserts into any 3/4" SB fitting) | | U721LF |
| 1/2" X 1" CTS (CTS end inserts into any 1" SB fitting) | | U722LF |
| 3/4" X 1" CTS (CTS end inserts into any 1" SB fitting) | | U724LF |
| WATER SOFTENER FITTING | | |
| 3/4" X 1" FIP | | U086LF |

| PRODUCT DESCRIPTION | PART NUMBER |
|--|-------------|
| 1-B: RADIANT FITTINGS | |
| RADIANT FITTINGS (NON-POTABLE WATER APPLICATION) | |
| Non-potable water application fittings are manufactured with standard DZR brass. | |
| 5/8" X 5/8" Coupling | U012 |
| 3/4" X 5/8" Reducing Coupling | U057 |
| 5/8" X 3/4" MNPT Reducing Adapter | U126 |
| 5/8" X 5/8" Elbow | U252 |
| 3/4" X 5/8" Elbow | U273 |
| 5/8" X 5/8" X 5/8" Tee | U366 |
| 5/8" End Stop | U516 |

| 1-C: TRANSITION FITTINGS | |
|--|---------|
| POLYBUTYLENE TRANSITION COUPLINGS | |
| 1/2" PB X 1/2" SB PB Transition Coupling | U4008LF |
| 3/4" PB X 3/4" SB PB Transition Coupling | U4016LF |
| PVC TRANSITION COUPLINGS | |
| SharkBite PVC transition fittings connect Copper, PEX, CPVC, or PE-RT pipe to PVC pipe (Sch. 40, 80 and 120) without soldering, clamps, unions, or glue. | |
| 1/2" CTS X 1/2" PVC Transition Coupling | UIP4008 |
| 3/4" CTS X 3/4" PVC Transition Coupling | UIP4016 |
| 1" CTS X 1" PVC Transition Coupling | UIP4020 |
| PVC TRANSITION SLIP TEES | |
| 1/2" CTS X 1/2" CTS X 1/2" PVC Transition Slip Tee | UIP363 |
| 1/2" PVC X 1/2" PVC X 1/2" CTS Transition Slip Tee | UIP364 |
| 3/4" CTS X 3/4" CTS X 3/4" PVC Transition Slip Tee | UIP371 |
| 3/4" PVC X 3/4" PVC X 3/4" CTS Transition Slip Tee | UIP372 |
| 1" CTS X 1" CTS X 1" PVC Transition Slip Tee | UIP375 |
| 1" PVC X 1" PVC X 1" CTS Transition Slip Tee | UIP376 |
| PVC SLIP COUPLINGS | |
| 1/2" PVC X 1/2" PVC Slip Repair Coupling | UIP3008 |
| 3/4" PVC X 3/4" PVC Slip Repair Coupling | UIP3016 |
| 1" PVC X 1" PVC Slip Repair Coupling | UIP3020 |
| PVC MALE CONNECTORS | |
| 1/2" PVC X 1/2" MNPT Male Connector | UIP120 |
| 3/4" PVC X 3/4" MNPT Male Connector | UIP134 |
| 1" PVC X 1" MNPT Male Connector | UIP140 |
| PVC DEPTH GAUGE AND DISCONNECT CLIPS | |
| 1/2" PVC Depth Gauge and Disconnect Clip | UIP710 |
| 3/4" PVC Depth Gauge and Disconnect Clip | UIP712 |
| 1" PVC Depth Gauge and Disconnect Clip | UIP714 |





| PRODUCT DESCRIPTION | PART NUMBER |
|--------------------------------------|-------------|
| 1-D: FIRE FITTINGS | |
| FIRE HORIZONTAL TEES | |
| 3/4" x 3/4" SB x 1/2" FNPT | UF12128H |
| 1" x 3/4" SB x 1/2" FNPT | UF16128H |
| 1" x 1" SB x 1/2" FNPT | UF16168H |
| FIRE VERTICAL TEES | |
| 3/4" x 3/4" SB x 1" FNPT | UF12128V |
| 1" x 3/4" SB x 1/2" FNPT | UF16128V |
| 1" x 1" SV x 1/2" FNPT | UF16168V |
| FIRE DROP-EAR ELBOWS | |
| 3/4" SB x 1/2" FNPT | UF128U |
| 1" SB X 1/2" FNPT | UF168U |
| FIRE THREADED FEMALE ADAPTERS | |
| 3/4" SB X 1/2" FNPT | UF128S |
| FIRE ANGLED ADAPTERS | |
| 3/4" X 3/4" SB X 1/2" FNPT | UF12128A |
| FIRE FEMALE ELBOWS | |
| 3/4" SB X 1/2" FNPT Left | UF128L |
| 3/4" SB X 1/2" FNPT Right | UF128R |
| 1" SB X 1/2" FNPT Left | UF168L |
| 1" SB X 1/2" FNPT Right | UF168R |

1-E: FLEX HOSES

The SharkBite flexible connectors are used in residential and commercial applications to easily connect pipe in any combination. The SharkBite fitting allows the installer to connect to Copper, CPVC and PEX pipe eliminating the need for an additional transition fitting.

BRAIDED FLEXIBLE WATER HEATER CONNECTORS

The SharkBite water heater connectors are used in residential and commercial applications to connect the hot and cold supply lines to the water heater. The connectors are available in 12", 15", 18" and 24" lengths (with and without ball valve).

| | |
|---|-----------------|
| 1/2" X 3/4" FIP, 12" Stainless Steel Braided Water Heater Connector | U3068FLEX12LF |
| 1/2" X 3/4" FIP, 15" Stainless Steel Braided Water Heater Connector | U3068FLEX15LF |
| 1/2" X 3/4" FIP, 18" Stainless Steel Braided Water Heater Connector | U3068FLEX18LF |
| 1/2" X 3/4" FIP, 24" Stainless Steel Braided Water Heater Connector | U3068FLEX24LF |
| 3/4" X 3/4" FIP, 12" Stainless Steel Braided Water Heater Connector | U3088FLEX12LF |
| 3/4" X 3/4" FIP, 15" Stainless Steel Braided Water Heater Connector | U3088FLEX15LF |
| 3/4" X 3/4" FIP, 18" Stainless Steel Braided Water Heater Connector | U3088FLEX18LF |
| 3/4" X 3/4" FIP, 24" Stainless Steel Braided Water Heater Connector | U3088FLEX24LF |
| CORRUGATED STAINLESS STEEL WATER HEATER CONNECTORS | |
| 3/4" X 3/4" FIP, 18" Stainless Steel Corrugated Water Heater Connector | SS3088FLEX18LF |
| 3/4" X 3/4" FIP, 24" Stainless Steel Corrugated Water Heater Connector | SS3088FLEX24LF |
| 3/4" x 1" FIP, 24" Stainless Steel Corrugated Water Heater Connector | SS3086FLEX24LF |
| BRAIDED FLEXIBLE WATER HEATER CONNECTORS WITH BALL VALVES | |
| 1/2" X 3/4" FIP, 18" Stainless Steel Braided Water Heater Connector with Ball Valve | U3068FLEX18BVLV |
| 3/4" X 3/4" FIP, 18" Stainless Steel Braided Water Heater Connector with Ball Valve | U3088FLEX18BVLV |



| PRODUCT DESCRIPTION | PART NUMBER |
|---|----------------|
| CORRUGATED STAINLESS STEEL WATER HEATER CONNECTORS WITH BALL VALVES | |
| 1/2" X 3/4" FIP, 18" Stainless Steel Corrugated Water Heater Connector with Ball Valve | SS3068FLEX18BV |
| 3/4" X 3/4" FIP, 18" Stainless Steel Corrugated Water Heater Connector with Ball Valve | SS3088FLEX18BV |
| WATER HEATER KITS | |
| SharkBite Corrugated Stainless Steel Water Heater Connection Kit (contains one 3/4" FIP x 3/4" SB x 18" hose and one 3/4" FIP x 3/4" SB ball valve x 18) | 24680 |
| BRAIDED FLEXIBLE COUPLING HOSES | |
| 1/2" X 1/2", 18" | U3008FLEX18LF |
| 3/4" X 3/4", 18" | U3016FLEX18LF |
| BRAIDED WATER SOFTENER HOSES | |
| The SharkBite water softener hose can be used for connection of new water softeners or replacement of existing connectors. The 3/4" SharkBite x 1" FIP swivel nut connectors makes for quick and easy installation. | |
| 3/4" X 1" FIP, 24" | U3086FLEX24LF |



1-F: STOPS & FIXTURE SUPPLY FITTINGS

Connecting supply lines to fixtures and appliances using these new SharkBite products brings the speed and convenience of push-to-connect connections to the final phase of your plumbing jobs. Regular and chrome plated fittings are now available, including the newest 1/2" X 1/4" (3/8" OD) SharkBite stop valves. Stops in 1/2" X 3/8" or 1/4" compression sizes are also available. With these new SharkBite push-to-connect fittings, stop valves and the 5' lengths or 50' coils of 1/4" (3/8" OD) PEX pipe, it's easy to make risers the exact length needed for connecting fixtures and appliances. No more problems with flexible lines that are too long or too short.

ANGLE STOPS

| | |
|------------------------------------|--------------|
| 1/2" X 3/8" Compression Angle Stop | 23036-0000LF |
| 1/2" X 3/8" Compression Loose Key | 24731LF |
| 1/2" X 1/4" (3/8" OD) Angle Stop | 23048-0000LF |
| 1/2" X 1/4" (3/8" OD) Loose Key | 24733LF |
| 1/2" X 1/4" Compression Angle Stop | 23336-0000LF |
| 1/2" X 1/2" Compression Angle Stop | 23489 |
| 1/2" x 1/2" MIP Angle Stop | 24946 |

STRAIGHT STOPS

| | |
|---------------------------------------|--------------|
| 1/2" X 3/8" Compression Straight Stop | 23037-0000LF |
| 1/2" X 3/8" Compression Loose Key | 24732LF |
| 1/2" X 1/4" (3/8" OD) Straight Stop | 23049-0000LF |
| 1/2" X 1/4" (3/8" OD) Loose Key | 24734LF |
| 1/2" X 1/4" Compression Straight Stop | 23337-0000LF |
| 1/2" X 1/2" Compression Straight Stop | 23490 |
| 1/2" x 1/2" MIP Straight Stop | 24947 |

TEE STOPS

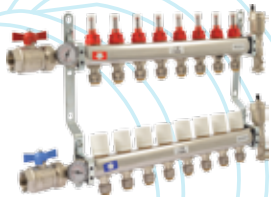
| | |
|---------------------------------|-------|
| 1/2" X 1/2" X 1/4" Compression | 24983 |
| 1/2" X 1/2" X 3/8" Compression | 24984 |
| 3/4" X 3/4" X 1/4" Compression | 24985 |
| 3/4" X 3/4" X 3/8" Compression | 24986 |
| 1/2" X 1/2" X 1/4" (3/8" OD) SB | 24987 |

DUAL TEE STOP VALVE ADAPTERS

Insert onto stub-out then fit any of the eight SharkBite stop valves to create any combination desired.

| | |
|---|--------|
| 1/2" CTS X 1/2" CTS X 1/2" Dual Tee Stop Valve Adapter (CTS ends insert into any 1/2" SB fitting. Recommended use with Angle/Straight Stops.) | U782LF |
|---|--------|





| PRODUCT DESCRIPTION | PART NUMBER |
|---|-------------|
| STOP VALVE CONNECTORS | |
| 1/4" (3/8" OD) X 3/8" Compression Stop Valve Connector (Converts 3/8" comp stop to SharkBite) | U3523LF |
| 1/4" (3/8" OD) X 1/4" Compression Nut | U3524LF |
| STOP VALVE TEE ADAPTERS | |
| 1/4" (3/8" OD) X 1/4" (3/8" OD) X 3/8" Compression Stop Valve Tee Adaptor | U3358LF |
| 1/4" (3/8" OD) X 1/4" (3/8" OD) X 1/4" (3/8" OD) Tube Stop Valve Tee Adapter | U4358LF |
| FAUCET CONNECTORS | |
| 1/4" (3/8" OD) X 1/2" Threaded Faucet Connector | U3525LF |
| TOILET CONNECTORS | |
| 1/4" (3/8" OD) X 7/8" Ballcock Threads Toilet Connector | U3531LF |
| 1/4" (3/8" OD) X 7/8" Ballcock Threads Toilet Elbow | U3537LF |

1-G: ADDITIONAL PRODUCTS

MANIFOLDS WITH PUSH-TO-CONNECT BRANCHES

Manifolds are traditionally used in PEX systems, but this SharkBite manifold will also allow for easy incorporation into Copper or CPVC systems. Use SharkBite push-to-connect fittings to install these manifolds anywhere in a plumbing system. All manifolds have a 1" trunk with 3/4" tube inlets and outlets and 1/2" push-to-connect ports (2" on center).

| | |
|--|---------|
| 3 Port - Open 1" trunk, 3/4" X 3/4", 3 - 1/2" branches 2" on center | 22995LF |
| 3 Port - Closed 1" trunk, 3/4" X Spun Closed, 3 - 1/2" branches 2" on center | 22996LF |
| 4 Port - Open 1" trunk, 3/4" X 3/4", 4 - 1/2" branches 2" on center | 22997LF |
| 4 Port - Closed 1" trunk, 3/4" X Spun Closed, 4 - 1/2" branches 2" on center | 22998LF |

SHARKBITE RADIANT HEATING MANIFOLDS (1" FNPT X 1/2" SHARKBITE PEX LOOPS)

| | |
|---------|-------|
| 3-Port | 24930 |
| 4-Port | 24931 |
| 5-Port | 24932 |
| 6-Port | 24933 |
| 7-Port | 24934 |
| 8-Port | 24935 |
| 9-Port | 24936 |
| 10-Port | 24937 |
| 11-Port | 24938 |
| 12-Port | 24939 |
| 13-Port | 24940 |

WATER HAMMER ARRESTORS

Provides maintenance free, continuous protection against water hammer. The arrestor can be positioned vertically or horizontally and the SharkBite connectors allow the arrestor to be installed in seconds, even on wet pipe.

| | |
|------------------|---------|
| 1/2" Residential | 22630LF |
| 1/2" Commercial | 22631LF |
| 3/4" Residential | 22632LF |
| 1" Commercial | 22633LF |

STUB OUT ELBOWS

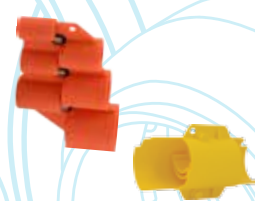
The SharkBite stub-out elbows come with pre-fitted mounting brackets that provide four fixed installation positions on all wooden surfaces (studs, joists and subfloors) by simply rotating or repositioning the mounting bracket.

| | |
|--------------------------------------|---------|
| 1/2" SB X 1/2" Copper Tube 8" Length | U351LFA |
|--------------------------------------|---------|

| PRODUCT DESCRIPTION | PART NUMBER |
|---|-------------|
| PRESSURE GAUGES | |
| 1/2" SB Tee with Pressure Gauge | 24436 |
| 3/4" SB Tee with Pressure Gauge | 24438 |
| 3/4" SB Pressure Gauge in Retail Packaging | 24438A |
| 1" SB Tee with Pressure Gauge | 24440 |
| 1/2" CTS Pressure Gauge (inserts into any 1/2" SB fitting) | 24442 |
| 3/4" CTS Pressure Gauge (inserts into any 3/4" SB fitting) | 24444 |
| TEMPERATURE GAUGES | |
| 1/2" SB Tee with Temperature Gauge | 24437 |
| 3/4" SB Tee with Temperature Gauge | 24439 |
| 1" SB Tee with Temperature Gauge | 24441 |
| 1/2" CTS Temperature Gauge (inserts into any 1/2" SB fitting) | 24443 |
| 3/4" CTS Temperature Gauge (inserts into any 3/4" SB fitting) | 24445 |

| 1-H: KITS | |
|--|---------|
| WATER HEATER INSTALLATION KITS (KITS INCLUDE 2 SHARKBITE CONNECTOR FITTINGS AND A DISCONNECT CLIP) | |
| 1/2" X 3/4" FNPT | 22604LF |
| 3/4" X 3/4" FNPT | 22441LF |
| CONTRACTOR KITS (KIT INCLUDES TOOLBOX) | |
| These SharkBite kits include a variety of push-to-connect fittings, disconnect tongs and clips, and a sturdy case for storage and transport. | |
| Contractor Kit: 2 each (U008LF, U016LF, U058LF, U072LF, U088LF, U120LF, U134LF, U248LF, U256LF) and 1 each (U362LF, U370LF, U514LF, U518LF, U710, U711, U713 and U702) | 22486LF |
| Contractor Kit: 2 each (U008LF, U016LF) and 1 each (U3008LF, U3016LF, UIP4016LF, U514LF, U518LF, 24983, 24736LF U702, UIP712, U712, U711, U713) | 25404 |
| Contractor Tool Box Only | U3001A |
| FAUCET KIT IN BAGGED PACKAGING (FAUCET KITS COME WITH 2 FAUCET CONNECTORS, 2 ANGLE STOPS, AND 1 COIL OF 10' 1/4" WHITE PEX PIPE) | |
| Faucet Connector with Angle Stop | 25087 |
| TOILET KIT IN BAGGED PACKAGING (TOILET KITS COME WITH 1 TOILET CONNECTOR, 1 ANGLE STOP, AND 1 COIL OF 5' 1/4" WHITE PEX PIPE.) | |
| Toilet Connector with Angle Stop | 25088 |
| ICE MAKER KIT IN BAGGED PACKAGING (ICE MAKER KITS COME WITH 1 SERVICE SLIP TEE, 1 ANGLE STOP, 1 VALVE CONNECTOR, 10' 1/4" WHITE PEX PIPE) | |
| Ice Maker Connector with Angle Stop | 25024 |
| ICE MAKER OUTLET BOX KIT | |
| 1/2" SB X 1/8" Compression Ice Maker Outlet Box | 25096 |
| 1/2" SB X 1/8" Compression Ice Maker Outlet Box With Water Hammer Arrestor | 25097 |
| WASHING MACHINE OUTLET BOX KIT | |
| 1/2" SB X 3/4" MHT Washing Machine Outlet Box | 25098 |
| 1/2" SB X 3/4" MHT Washing Machine Outlet Box With Water Hammer Arrestor | 25099 |

| 1-I: TOOLS | |
|--|--|
| DEBURR & GAUGE TOOLS | |
| Deburr and Gauge Tool (Use for 1/4", 3/8", 1/2", 5/8", 3/4" and 1" copper and CPVC pipe) | |
| | U702 |
| 2XL | 1-1/4", 1-1/2", 2" Deburr and Gauge Tool |
| | SBG03 |





| PRODUCT DESCRIPTION | | PART NUMBER |
|--------------------------------------|--------------------------------------|-------------|
| DISCONNECT CLIPS | | |
| 1/4" Disconnect Clip | | U706 |
| 3/8" Disconnect Clip | | U708 |
| 1/2" Disconnect Clip | | U710 |
| 5/8" Disconnect Clip | | U3712 |
| 3/4" Disconnect Clip | | U712 |
| 1" Disconnect Clip | | U714 |
| DISCONNECT TONGS | | |
| 1/2" Disconnect Tong | | U711 |
| 3/4" Disconnect Tong | | U713 |
| 1" Disconnect Tong | | U715 |
| DE-MOUNT CLIPS | | |
| 2XL | 1-1/4" De-Mount Clip | SBDC35 |
| | 1-1/2" De-Mount Clip | SBDC41 |
| | 2" De-Mount Clip | SBDC54 |
| | 1-1/4", 1-1/2", 2" De-Mount Clip Set | SBDC354154 |
| LARGE DIAMETER PEX STIFFENERS | | |
| 2XL | 1-1/4" PEX Stiffener | SBTL35 |
| | 1-1/2" PEX Stiffener | SBTL41 |
| | 2" PEX Stiffener | SBTL54 |
| WRAP FOR FITTING BURIAL | | |
| 10' x 2" X 0.02" Silicone Wrap | | 25406 |



SECTION 2: SHARKBITE VALVES

2-A: PRESSURE REGULATING VALVES

The innovative, labor reducing EB45 and the EB25 pressure regulating valves are available with double union and direct SharkBite connectors. The EB45 is factory set at 45 or 60 psi and is adjustable to 10-70 psi. The EB25 is set at 45 psi and features a twist cap with a numerical pressure indicator for easy one-man adjustment.

EB45 LEAD FREE SHARKBITE CONNECTIONS (ALL EB45 VALVES FACTORY SET AT 45 PSI UNLESS SPECIFIED)

| | |
|--|------------|
| 1/2" EB45-DSB Direct SharkBite | 23807-0045 |
| 1/2" EB45-SDSB Slip Feature Direct SharkBite | 24383-0045 |
| 1/2" EB45-DUSB Double Union SharkBite | 23893-0045 |
| 3/4" EB45-DSB Direct SharkBite | 23808-0045 |
| 3/4" EB45-SDSB Slip Feature Direct SharkBite | 24384-0045 |
| 3/4" EB45-DUSB Double Union SharkBite | 23894-0045 |
| 3/4" EB45-DUSB Double Union SharkBite (60 psi Setting) | 23896-0060 |
| 3/4" EB45-DUSB Double Union SharkBite with Gauge Port | 24449-0045 |
| 1" EB45-DSB Direct SharkBite | 22675-0045 |
| 1" EB45-DUSB Double Union SharkBite | 23358-0045 |
| 1" EB45-DUSB Double Union SharkBite (60 psi Setting) | 23945-0060 |

EB25 LEAD FREE SHARKBITE CONNECTIONS

| | |
|---------------------------------------|------------|
| 3/4" EB25-DUSB Double Union SharkBite | 23955-0045 |
| 1" EB25-DUSB Double Union SharkBite | 23956-0045 |

| PRODUCT DESCRIPTION | PART NUMBER |
|--|-------------|
| 2-B: THERMOSTATIC MIXING VALVES | |
| Direct or double union SharkBite push-to-connect connectors provide a simplified, time and labor saving installation. Heatguard® valves deliver water at a safe 120°F (49°C) or lower from all outlets, while allowing the thermostat to be set at a germ-killing 140°F (60°C) or higher which aids in preventing the growth of legionella bacteria in the water heater. The higher tank temperature means hot water demands can be satisfied longer. Every valve is tested for performance and includes a unique adjuster tool that minimizes tampering with the valve setting. Rugged, simple construction incorporates a precise engineered polymer piston and the latest in thermostatic technology. | |
| HG110-D LEAD FREE (ASSE 1017, 1069, & 1070, CSA B 125.3. DISTRIBUTION AND IN-LINE) | |
| 1/2" HG110-D with SharkBite Connections | 24504 |
| 3/4" HG110-D with SharkBite Connections | 24505 |
| HG160 LEAD FREE (ASSE 1069 & 1070, CSA B 125.3. IN-LINE) | |
| 1/2" HG160 with SharkBite Connections | 24529 |
| 3/4" HG160 with SharkBite Connections | 24530 |

| 2-C: BALL VALVES & CHECK VALVES | | |
|--|-----------------------------|--------|
| BALL VALVES | | |
| 1/2" X 1/2" | 22222-0000LF | |
| 3/4" X 3/4" | 22185-0000LF | |
| 1" X 1" | 22223-0000LF | |
| 1/2" SharkBite X 1/2" FNPT | 22182-0000LF | |
| 3/4" SharkBite X 3/4" FNPT | 22186-0000LF | |
| 1" SharkBite X 1" FNPT | 22187-0000LF | |
| 2XL | SharkBite 1-1/4" Ball Valve | SBBV35 |
| | SharkBite 1-1/2" Ball Valve | SBBV41 |
| | SharkBite 2" Ball Valve | SBBV54 |
| BALL VALVES WITH DRAIN / VENT | | |
| 1/2" with Drain | 22304-0000LF | |
| 3/4" with Drain | 22305-0000LF | |
| 1" with Drain | 22306-0000LF | |
| SLIP BALL VALVE (ONLY SUITABLE FOR COPPER AND CPVC) | | |
| 1/2" | 24735LF | |
| 3/4" | 24736LF | |
| 1" | 24737LF | |
| BALL VALVE WITH DRAIN / VENT AND MOUNTING BRACKET | | |
| 1/2" Ball Valve with Drain/Vent and Mounting Bracket | 24615-0000LF | |
| 3/4" Ball Valve with Drain/Vent and Mounting Bracket | 24616-0000LF | |
| 1" Ball Valve with Drain/Vent and Mounting Bracket | 24617-0000LF | |
| CHECK VALVES | | |
| 1/2" X 1/2" | U2008-0000LF | |
| 3/4" X 3/4" | U2016-0000LF | |
| 1" X 1" | U2020-0000LF | |



| PRODUCT DESCRIPTION | PART NUMBER |
|--|-------------|
| SECTION 3: SHARKBITE PEX BARB FITTINGS | |
| 3-A: PEX BARB CORE FITTINGS | |
| <p>The SharkBite PEX/Barb Connection System is the best option for connecting PEX pipe in water distribution systems when lower material cost is desired. Robustly constructed with Lead Free DZR brass, the SharkBite barb fittings are corrosion resistant. With a wide range of fittings, manifolds, valves, clamp rings, crimp rings, ball valves and tools available, the SharkBite PEX/Barb Connection System is perfect for your next plumbing project.</p> | |
| COUPLINGS BULK PACKAGED | |
| 3/8" | UC006LF |
| 1/2" | UC008LF |
| 5/8" | UC012LF |
| 3/4" | UC016LF |
| 1" | UC020LF |
| REDUCING COUPLINGS BULK PACKAGED | |
| 3/8" X 1/2" Reducing | UC009LF |
| 1/2" X 3/4" Reducing | UC058LF |
| 3/4" X 5/8" Reducing | UC057LF |
| 3/4" X 1" Reducing | UC060LF |
| THREADED FEMALE ADAPTERS BULK PACKAGED | |
| 1/2" X 3/4" FNPT | UC068LF |
| 1/2" X 1/2" FNPT | UC072LF |
| 3/4" X 3/4" FNPT | UC088LF |
| 1" X 1" FNPT | UC094LF |
| THREADED MALE ADAPTERS BULK PACKAGED | |
| 1/2" X 3/4" MNPT | UC116LF |
| 3/8" X 1/2" MNPT | UC118LF |
| 1/2" X 1/2" MNPT | UC120LF |
| 3/4" X 3/4" MNPT | UC134LF |
| 3/4" X 1/2" MNPT | UC138LF |
| 3/4" X 1" MNPT | UC139LF |
| 1" X 1" MNPT | UC140LF |
| 1" X 3/4" MNPT | UC142LF |
| SWEAT FEMALE ADAPTERS BULK PACKAGED | |
| 1/2" X 1/2" Female Sweat Adapter | UC600LF |
| 3/4" X 3/4" Female Sweat Adapter | UC606LF |
| 1" X 1" Female Sweat Adapter | UC605LF |
| SWEAT MALE ADAPTERS BULK PACKAGED | |
| 1/2" X 1/2" Male Sweat Adapter | UC607LF |
| 3/4" X 3/4" Male Sweat Adapter | UC608LF |
| 1" X 1" Male Sweat Adapter | UC609LF |
| ELBOWS BULK PACKAGED | |
| 3/8" X 3/8" | UC246LF |
| 1/2" X 1/2" | UC248LF |
| 3/4" X 3/4" | UC256LF |
| 1" X 1" | UC260LF |



| PRODUCT DESCRIPTION | PART NUMBER |
|--------------------------------------|-------------|
| REDUCING ELBOWS BULK PACKAGED | |
| 1/2" X 3/8" | UC272LF |
| 1/2" X 3/4" | UC274LF |
| 3/4" X 5/8" | UC273LF |
| DROP-EAR ELBOWS BULK PACKAGED | |
| 1/2" X 1/2" FNPT Drop Ear | UC334LF |
| 3/4" X 3/4" FNPT Drop Ear | UC340LF |
| 3/4" X 1/2" FNPT Drop Ear | UC342LF |
| ADAPTER ELBOWS BULK PACKAGED | |
| 1/2" X 1/2" MNPT | UC280LF |
| 1/2" X 3/4" MNPT | UC278LF |
| 3/4" X 3/4" MNPT | UC286LF |
| 3/4" X 3/4" Female Sweat | UC626LF |
| 3/4" X 3/4" Male Sweat | UC628LF |
| TEES BULK PACKAGED | |
| 3/8" X 3/8" X 3/8" | UC360LF |
| 1/2" X 1/2" X 1/2" | UC362LF |
| 3/4" X 3/4" X 3/4" | UC370LF |
| 1" X 1" X 1" | UC374LF |
| BULLNOSE TEES BULK PACKAGED | |
| 1/2" X 1/2" X 3/4" Bull Nose | UC408LF |
| 3/4" X 3/4" X 1" Bull Nose | UC413LF |
| REDUCING TEES BULK PACKAGED | |
| 3/8" X 3/8" X 1/2" Reducing | UC364LF |
| 1/2" X 3/8" X 3/8" Reducing | UC452LF |
| 1/2" X 1/2" X 3/8" Reducing | UC363LF |
| 1/2" X 3/8" X 1/2" Reducing | UC434LF |
| 3/4" X 3/4" X 3/8" Reducing | UC417LF |
| 3/4" X 3/4" X 1/2" Reducing | UC412LF |
| 3/4" X 1/2" X 1/2" Reducing | UC454LF |
| 3/4" X 1/2" X 3/4" Reducing | UC444LF |
| 1" X 3/4" X 3/4" Reducing | UC414LF |
| 1" X 1" X 1/2" Reducing | UC415LF |
| 1" X 1" X 3/4" Reducing | UC416LF |
| 1" X 3/4" X 1" Reducing | UC418LF |
| SWIVEL ADAPTERS BULK PACKAGED | |
| 3/8" X 3/8" FNPT Swivel Adapter | UC527LF |
| 1/2" X 1/2" FNPT Swivel Adapter | UC526LF |
| 1/2" X 3/4" FNPT Swivel Adapter | UC534LF |
| 3/4" X 3/4" FNPT Swivel Adapter | UC530LF |
| 3/4" X 1" Swivel Adapter | UC529LF |
| 1" X 1" FNPT Swivel Adapter | UC594LF |
| SWIVEL ELBOWS BULK PACKAGED | |
| 3/8" X 1/2" MNPT Swivel Elbow | UC531LF |
| 1/2" X 1/2" FNPT Swivel Elbow | UC532LF |





| PRODUCT DESCRIPTION | PART NUMBER |
|--|-------------|
| SWIVEL TOILET CONNECTION ELBOWS BULK PACKAGED | |
| 1/2" X 7/8" Straight Swivel Toilet Connectors | UC528LF |
| 3/8" X 7/8" Elbow Swivel Toilet Connectors | 23068LF |
| 1/2" X 7/8" Elbow Swivel Toilet Connectors | 23067LF |
| PLUGS BULK PACKAGED | |
| 3/8" | UC512LF |
| 1/2" | UC514LF |
| 3/4" | UC518LF |
| 1" | UC520LF |

3-B: PEX BARB TRANSITION FITTINGS

| POLYBUTYLENE TRANSITION FITTINGS BULK PACKAGED (WITH PB CRIMP RING) | |
|--|----------|
| 3/8" PB Coupling | UC4006LF |
| 1/2" PB Coupling | UC4008LF |
| 3/4" PB Coupling | UC4016LF |

3-C: PEX BARB POLY ALLOY FITTINGS

The SharkBite PEX poly alloy fittings range is an advanced plumbing solution when corrosion may effect DZR brass products.

| COUPLINGS BULK PACKAGED | |
|--|-------|
| 1/2" Straight Coupling | UP008 |
| 3/4" Straight Coupling | UP016 |
| 1" Straight Coupling | UP020 |
| REDUCING COUPLINGS BULK PACKAGED | |
| 3/4" X 1/2" Reducing Coupling | UP058 |
| 1" X 3/4" Reducing Coupling | UP060 |
| CONNECTORS BULK PACKAGED | |
| 1/2" X 1/2" MNPT Straight Connector | UP120 |
| 3/4" X 3/4" MNPT Straight Connector | UP134 |
| 1" X 1" MNPT Straight Connector | UP140 |
| REDUCING CONNECTORS BULK PACKAGED | |
| 3/4" X 1/2" MNPT Reducing Connector | UP138 |
| ELBOWS BULK PACKAGED | |
| 1/2" Elbow | UP248 |
| 3/4" Elbow | UP256 |
| 1" Elbow | UP260 |
| MALE ELBOWS BULK PACKAGED | |
| 1/2" X 1/2" MNPT Elbow | UP280 |
| REDUCING ELBOWS BULK PACKAGED | |
| 3/4" X 1/2" Elbow | UP274 |
| TEES BULK PACKAGED | |
| 3/8" Tee | UP360 |
| 1/2" Tee | UP362 |
| 3/4" Tee | UP370 |
| 1" Tee | UP374 |

| PRODUCT DESCRIPTION | PART NUMBER |
|------------------------------------|-------------|
| REDUCING TEES BULK PACKAGED | |
| 1/2" X 1/2" X 3/4" Tee | UP408 |
| 3/4" X 3/4" X 1/2" Tee | UP412 |
| 3/4" X 1/2" X 3/4" Tee | UP444 |
| 3/4" X 1/2" X 1/2" Tee | UP454 |
| 1" X 3/4" X 3/4" Tee | UP414 |
| 1" X 1" X 1/2" Tee | UP415 |
| 1" X 1" X 3/4" Tee | UP416 |
| PLUGS BULK PACKAGED | |
| 1/2" Plug | UP514 |
| 3/4" Plug | UP518 |
| 1" Plug | UP520 |
| ADAPTERS BULK PACKAGED | |
| 1/2" Female Swivel Adapter | UP526 |
| 3/8" Female Swivel Adapter | UP527 |
| 1/2" X 1/2" Swivel Elbow Adapter | UP532 |

| 3-D: PEX BARB FIRE FITTINGS | |
|--------------------------------------|-----------|
| FIRE HORIZONTAL TEES | |
| 3/4" x 3/4" x 1/2" FNPT | UCF12128H |
| 1" x 3/4" x 1/2" FNPT | UCF16128H |
| 1" x 1" x 1/2" FNPT | UCF16168H |
| FIRE VERTICAL TEES | |
| 3/4" x 3/4" x 1" FNPT | UCF12128V |
| 1" x 3/4" x 1/2" FNPT | UCF16128V |
| 1" x 1" x 1/2" FNPT | UCF16168V |
| FIRE DROP-EAR ELBOWS | |
| 3/4" x 1/2" FNPT | UCF128U |
| 1" x 1/2" FNPT | UCF168U |
| FIRE THREADED FEMALE ADAPTERS | |
| 3/4" X 1/2" FNPT | UCF128S |
| FIRE ANGLED ADAPTERS | |
| 3/4" X 3/4" X 1/2" FNPT | UCF12128A |
| FIRE FEMALE ELBOWS | |
| 3/4" X 1/2" FNPT Left | UCF128L |
| 3/4" X 1/2" FNPT Right | UCF128R |
| 1" X 1/2" FNPT Left | UCF168L |
| 1" X 1/2" FNPT Right | UCF168R |

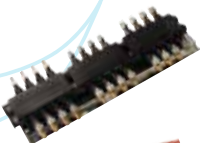




| PRODUCT DESCRIPTION | PART NUMBER |
|---|-------------|
| 3-E: PEX BARB STOP & FIXTURE SUPPLY FITTINGS | |
| PEX CHROME PLATED 1/4 TURN ANGLE STOPS | |
| 1/2" X 3/8" OD Compression Angle Stop (Quarter Turn) | 23058LF |
| 1/2" X 1/4" OD Compression Angle Stop (Quarter Turn) | 23056LF |
| PEX CHROME PLATED 1/4 TURN STRAIGHT STOPS | |
| 3/8" X 3/8" Straight Stop (Quarter Turn) | 23382LF |
| 1/2" X 3/8" OD Compression Straight Stop (Quarter Turn) | 23057LF |
| PEX CHROME PLATED STRAIGHT STOPS | |
| 1/2" X 3/8" Compression Straight Stop | 23059LF |
| 1/2" X 3/8" Straight Stop | 23062LF |
| 1/2" X 1/2" MPT Straight Stop | 23061LF |
| 1/2" X 1/2" Straight Stop | 23063LF |
| PEX CHROME PLATED ANGLE STOPS | |
| 1/2" X 3/8" Compression Angle Stop | 23060LF |
| 1/2" X 3/4" MHT Angle Stop | 23064LF |
| PEX CHROME PLATED ANGLE DUAL OUTLET STOPS | |
| 1/2" X 3/8" X 3/8" Compression Angle Stop | 23066LF |



| 3-F: PEX BARB ADDITIONAL PRODUCTS | |
|--|---------|
| COPPER STUBOUT ELBOWS BULK PACKAGED (ALL COPPER STUBOUT ELBOWS ARE LEAD FREE) | |
| 1/2" X Closed (4" X 8") | 22791 |
| 3/8" X 1/2" (4" X 4") | 23069 |
| 1/2" X 1/2" (4" X 4") | 23070 |
| COPPER MANIFOLDS WITH BARB BRANCHES (1" TRUNK WITH 3/4" BARB INLETS & OUTLETS AND 1/2" BARB PORTS - 2" ON CENTER) LEAD FREE | |
| 3 Port Closed | 22783 |
| 3 Port Open | 22784 |
| 4 Port Closed | 22785 |
| 4 Port Open | 22786 |
| 6 Port Closed | 22787 |
| 6 Port Open | 22788 |
| 8 Port Closed | 22789 |
| 8 Port Open | 22790 |
| WATER HAMMER ARRESTORS | |
| Provides maintenance free, continuous protection against water hammer. The arrestor can be positioned vertically or horizontally. | |
| 1/2" Residential | 25401 |
| BARB MANIFOLDS WITH BALL VALVES LEAD FREE | |
| Manifold 16 Port with Ball Valves | RM22716 |
| Manifold 20 Port with Ball Valves | RM22720 |
| Manifold 24 Port with Ball Valves | RM22724 |
| BARB BALL VALVES BULK PACKAGED | |
| 1/2" | 22461LF |
| 3/4" | 22462LF |
| 1" | 22463LF |



| PRODUCT DESCRIPTION | PART NUMBER |
|--|-------------|
| 3-G: PEX BARB ACCESSORIES | |
| CLAMP RINGS BULK PACKAGED (STAINLESS STEEL) | |
| 3/8" | UC952 |
| 1/2" | UC953 |
| 5/8" | UC954 |
| 3/4" | UC955 |
| 1" | UC956 |
| CRIMP RINGS (COPPER) | |
| 3/8" (25 Pack) | 23101CP25 |
| 3/8" (100 Pack) | 23101CP100 |
| 1/2" (25 Pack) | 23102CP25 |
| 1/2" (100 Pack) | 23102CP100 |
| 3/4" (25 Pack) | 23103CP25 |
| 3/4" (100 Pack) | 23103CP100 |
| 1" (25 Pack) | 23104CP25 |
| CRIMP RINGS BULK PACKAGED (COPPER) | |
| 3/8" | 23101 |
| 1/2" | 23102 |
| 3/4" | 23103 |
| 1" | 23104 |
| PEX BEND SUPPORTS, SUSPENSION CLAMPS AND INSULATORS | |
| 3/8" J Hook Pex Pipe Clamp (10 Pack) | 23065 |
| 1/2" J Hook Pex Pipe Clamp (10 Pack) | 23220 |
| 3/4" J Hook Pex Pipe Clamp (10 Pack) | 23221 |
| 1/2" Insulated Suspension Clamp (10 Pack) | 23071A10 |
| 3/4" Insulated Suspension Clamp (10 Pack) | 23072A10 |
| 1" Insulated Suspension Clamp (10 Pack) | 23073A10 |
| 1/2" Pipe Insulator (10 Pack) | 23074A10 |
| 3/4" Pipe Insulator (10 Pack) | 23075A10 |
| 1" Pipe Insulator (10 Pack) | 23076A10 |
| 1/2" Polymer Bend Support with mounting bracket | 23050 |
| 3/4" Polymer Bend Support | 23051 |
| 1/2" Metal Pipe Support | 23053 |
| 3/4" Metal Pipe Support | 23054 |





| PRODUCT DESCRIPTION | PART NUMBER |
|--|-------------|
| 3-H: PEX BARB TOOLS | |
| SharkBite PEX/Barb tools provide everything needed to ensure a dependable trouble-free installation or repair of PEX/Barb Connection Systems. From our PEX crimp tool to our plastic pipe cutters, our line of rugged tools offer everything needed to cut, secure or remove PEX pipe. | |
| PEX CRIMP TOOLS | |
| 1/2", 3/4" PEX Combo Crimp Tool | 23251 |
| 3/8", 1/2", 3/4" PEX Pocket Crimp Tool | 23383 |
| PEX CRIMP TOOL KIT | |
| 3/8", 1/2", 3/4", 1" PEX Crimp Ring Tool Kit (Crimp Ring Gauge included) | 23100 |
| PEX CLAMP TOOLS | |
| PEX Clamp Tool One-hand Operation | UC961 |
| PEX Clamp Tool Standard Handles | 23081 |
| PEX PIPE CUTTER | |
| PEX Pipe Cutter | U701 |
| CRIMP RING GAUGE | |
| 3/8", 1/2", 3/4", 1" PEX Crimp Ring Gauge | 23080 |
| CRIMP RING REMOVAL TOOL | |
| PEX Crimp Ring Removal Tool | 23055 |
| PEX DECOILER | |
| PEX Decoiler | UFH034 |

HOW TO INSTALL SHARKBITE PEX BARB PRODUCTS



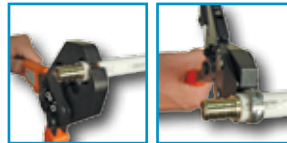
CUT:

Cut the pipe square removing rough edges and debris.



SET:

Slide the ring over the pipe and insert the fitting. Make sure the ring is 1/8" - 1/4" from the edge of the pipe.



PRESS:

Apply pressure to secure the ring over the pipe and fitting.



DONE.

BENEFITS OF SHARKBITE® PEX



HEALTH/SAFETY

No glue, solder, or solvents required for the connection process, which keeps potentially dangerous chemicals out of plumbing systems. Additionally, SharkBite PEX Pipe eliminates the need for open flames in the house that could be a potential fire hazard. There is no risk of copper traces in water from breakdown of pipe that has been linked to heart disease and Alzheimer's.



VERSATILE

SharkBite PEX Pipe can be installed in dry or wet conditions. SharkBite PEX Pipe can lend itself to many applications due to its physical properties of flexibility, reliability and installation ease such as hydronic heating, fire protection, etc.



CHLORINE RESISTANCE

SharkBite PEX Pipe is tested to the highest level of chlorine resistance standards, testing at 100% chlorine at 140°F.



PROVEN AND GUARANTEED

SharkBite PEX Pipe has been around for more than 35 years with over 12 Billion feet of pipe installed worldwide.



FREEZE RESISTANT

SharkBite PEX Pipe is freeze resistant as the pipe can expand and contract as water freezes and thaws within the pipe.



FLEXIBILITY

Able to bend pipe around corners which removes the need for 45° or 90° elbows in certain situations. SharkBite's new coiling process increases the flexibility of our coiled pipe even more.



COST EFFECTIVE

SharkBite PEX Pipe is substantially more cost effective than Copper pipe—SharkBite PEX Pipe costs a third of the price of Copper. SharkBite PEX Pipe is a fixed cost as prices don't fluctuate daily like Copper pipe.



SHARKBITE PEX CERTIFICATIONS



NSF 14/61



ASTM F 877



AWWA C904



ASTM F 876



CSA B137.5



UL 1821

| PRODUCT DESCRIPTION | PART NUMBER | PART NUMBER | PART NUMBER |
|---------------------|-------------|-------------|-------------|
|---------------------|-------------|-------------|-------------|

SECTION 4: SHARKBITE PEX PIPE

SharkBite PEX Pipe is a cross-linked polyethylene pipe for use in a wide range of residential and commercial plumbing applications. Manufactured without an oxygen barrier for potable water systems and with an oxygen barrier for radiant floor and hydronic heating applications. A repeating SharkBite imprint pattern provides a visual aid to determine if the pipe has been inserted all the way into the SharkBite push-to-connect fitting. This feature only works if the pipe is cut between the SharkBite imprint pattern.

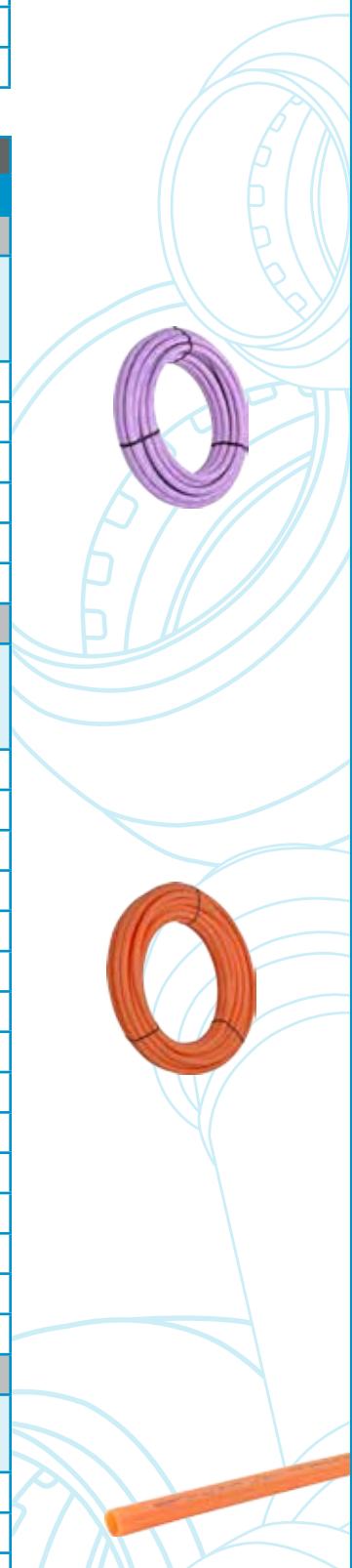
APPROVALS: The SharkBite pipe with and without oxygen barrier is approved for use in all model codes in the US and Canada, for use in hydronic and potable water systems, and is certified to the following standards: ASTM F876, ASTM F877, CSA B137.5 and AWWA C904.

4-A: POTABLE WATER PEX PIPE

| PEX PIPE (COILS) | WHITE | RED | BLUE |
|-------------------------------|------------|------------|------------|
| 1/4" (3/8" OD) 50' Coil Pipe | U850W50 | | |
| 1/4" (3/8" OD) 100' Coil Pipe | U850W100 | | |
| 3/8" 50' Coil Pipe | U855W50 | | |
| 3/8" 100' Coil Pipe | U855W100 | U855R100 | U855B100 |
| 1/2" 25' Coil Pipe | U860W25W | U860R25W | U860B25W |
| 1/2" 50' Coil Pipe | U860W50W | U860R50W | U860B50W |
| 1/2" 100' Coil Pipe | U860W100W | U860R100W | U860B100W |
| 1/2" 300' Coil Pipe | U860W300W | U860R300W | U860B300W |
| 1/2" 500' Coil Pipe | U860W500W | U860R500W | U860B500W |
| 1/2" 1000' Coil Pipe | U860W1000W | U860R1000W | U860B1000W |
| 3/4" 25' Coil Pipe | U870W25W | U870R25W | U870B25W |
| 3/4" 50' Coil Pipe | U870W50W | U870R50W | U870B50W |
| 3/4" 100' Coil Pipe | U870W100W | U870R100W | U870B100W |
| 3/4" 300' Coil Pipe | U870W300W | U870R300W | U870B300W |
| 3/4" 500' Coil Pipe | U870W500W | U870R500W | U870B500W |
| 1" 100' Coil Pipe | U880W100W | U880R100W | U880B100W |
| 1" 300' Coil Pipe | U880W300W | U880R300W | U880B300W |
| 1" 500' Coil Pipe | U880W500W | U880R500W | U880B500W |
| 1-1/4" 100' Coil Pipe | U885W100 | | |
| 1-1/2" 100' Coil Pipe | U890W100 | | |
| 2" 100' Coil Pipe | U895W100 | | |
| PEX PIPE (STRAIGHT LENGTHS) | WHITE | RED | BLUE |
| 1/4" (3/8" OD) 5' Length Pipe | U850W5 | | |
| 3/8" 5' Length Pipe | U855W5 | | |
| 3/8" 10' Length Pipe | U855W10 | | |
| 1/2" 2' Length Pipe | U860W2 | U860R2 | U860B2 |
| 1/2" 5' Length Pipe | U860W5 | U860R5 | U860B5 |
| 1/2" 10' Length Pipe | U860W10 | U860R10 | U860B10 |
| 1/2" 20' Length Pipe | U860W20 | U860R20 | U860B20 |
| 3/4" 2' Length Pipe | U870W2 | U870R2 | U870B2 |
| 3/4" 5' Length Pipe | U870W5 | U870R5 | U870B5 |
| 3/4" 10' Length Pipe | U870W10 | U870R10 | U870B10 |
| 3/4" 20' Length Pipe | U870W20 | U870R20 | U870B20 |
| 1" 5' Length Pipe | U880W5 | U880R5 | U880B5 |

| PRODUCT DESCRIPTION | PART NUMBER | PART NUMBER | PART NUMBER |
|------------------------|-------------|-------------|-------------|
| 1" 10' Length Pipe | U880W10 | U880R10 | U880B10 |
| 1" 20' Length Pipe | U880W20 | U880R20 | U880B20 |
| 1-1/4" 20' Length Pipe | U885W20 | | |
| 1-1/2" 20' Length Pipe | U890W20 | | |
| 2" 20' Length Pipe | U895W20 | | |

| PRODUCT DESCRIPTION | PART NUMBER |
|--|----------------|
| 4-B: SPECIAL APPLICATION PEX PIPE | |
| RECLAIMED WATER PEX PIPE | RECLAIMED |
| SharkBite reclaimed water PEX is cross-linked polyethylene pipe for gray water, rainwater harvesting and reclaimed water systems only. Manufactured with a purple color background, the pipe meets color code requirements of national and state code bodies to clearly identify reclaimed water lines. SharkBite reclaimed water PEX is manufactured and available in 1/2" to 1". | |
| 1/2" 100' Coil Purple Pipe | U860P100 |
| 1/2" 300' Coil Purple Pipe | U860P300 |
| 3/4" 100' Coil Purple Pipe | U870P100 |
| 3/4" 300' Coil Purple Pipe | U870P300 |
| 1" 100' Coil Purple Pipe | U880P100 |
| 1" 300' Coil Purple Pipe | U880P300 |
| OXYGEN BARRIER PEX PIPE (COILS) | OXYGEN BARRIER |
| Use for underfloor radiant and hydronic heating applications. The oxygen diffusion barrier is applied to the exterior and limits oxygen permeation through the pipe wall in hydronic heating applications. This prevents corrosion of ferrous metal parts in the heating system. | |
| 3/8" 100' Coil PEX Pipe Orange Color w/ Black Text | U8550100 |
| 3/8" 300' Coil PEX Pipe Orange Color w/ Black Text | U8550300 |
| 3/8" 500' Coil PEX Pipe Orange Color w/ Black Text | U8550500 |
| 1/2" 100' Coil PEX Pipe Orange Color w/ Black Text | U8600100 |
| 1/2" 300' Coil PEX Pipe Orange Color w/ Black Text | U8600300 |
| 1/2" 500' Coil PEX Pipe Orange Color w/ Black Text | U8600500 |
| 1/2" 1000' Coil PEX Pipe Orange Color w/ Black Text | U86001000 |
| 5/8" 300' Coil PEX Pipe Orange Color w/ Black Text | U8650300 |
| 3/4" 100' Coil PEX Pipe Orange Color w/ Black Text | U8700100 |
| 3/4" 300' Coil PEX Pipe Orange Color w/ Black Text | U8700300 |
| 3/4" 500' Coil PEX Pipe Orange Color w/ Black Text | U8700500 |
| 3/4" 1000' Coil PEX Pipe Orange Color w/ Black Text | U87001000 |
| 1" 100' Coil PEX Pipe Orange Color w/ Black Text | U8800100 |
| 1" 300' Coil PEX Pipe Orange Color w/ Black Text | U8800300 |
| 1" 500' Coil PEX Pipe Orange Color w/ Black Text | U8800500 |
| OXYGEN BARRIER PEX PIPE (STRAIGHT LENGTHS) | OXYGEN BARRIER |
| Use for radiant floor and hydronic heating applications. The oxygen diffusion barrier is applied to the exterior and limits oxygen permeation through the pipe wall in hydronic heating applications. This prevents corrosion of ferrous metal parts in the heating system. | |
| 1/2" 20' Length O2 barrier PEX Pipe Orange Color | U860020 |
| 3/4" 20' Length O2 barrier PEX Pipe Orange Color | U870020 |
| 1" 20' Length O2 barrier PEX Pipe Orange Color | U880020 |



MADE IN THE USA

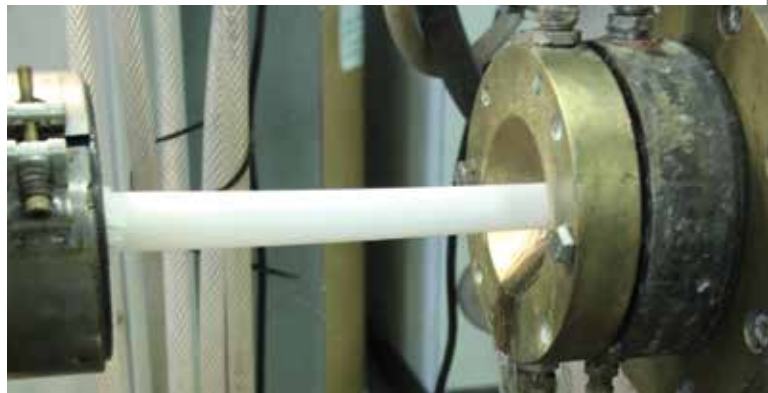
SharkBite PEX Pipe is a cost effective piping solution approved for use in both hot and cold plumbing installations. Meeting the highest chlorine resistance standards and utilizing the most energy efficient manufacturing processes, our PEX pipe is proudly produced in Alabama. We own our manufacturing process from start to finish, so every piece of SharkBite PEX Pipe is guaranteed from concept to delivery.

PEX pipe was introduced to North America in 1984 based on European market success, and was tested extensively for durability and material performance. All USA-installed PEX pipe must meet the qualification requirements as specified in the ASTM PEX Standards. SharkBite PEX Pipe can bend up to six times the outside diameter of the pipe—which is the maximum bend radius recommended by PEX pipe manufacturers.

SharkBite PEX Pipe can be used in a variety of applications including:

- Domestic plumbing
- Fire suppression systems (residential fire sprinklers)
- Municipal water service pipe for use in underground applications
- Radiant heating systems for suspended floor systems or in slab construction
- Snow and ice melt systems for sidewalks, driveways, entrances, and ramps
- Turf conditioning for greenhouses, golf courses, and sports fields
- Water reuse and reclamations systems

DISCOVER THE FLEXIBILITY OF SHARKBITE PEX PIPE.



SHARKBITE PUSH-TO-CONNECT FITTINGS

- The SharkBite push-to-connect range is made from Lead Free DZR brass and all products were converted as of October 2012.
- The standard material versions of SharkBite push-to-connect fittings are no longer in production, but we do continue to offer a small range of 5/8" fittings in standard material, specifically intended for radiant heating applications. As a running change, these fittings will be converted to Lead Free in due course.
- Our SharkBite 2XL large Diameter fittings have been Lead Free since their introduction in February 2011.

SHARKBITE PEX/BARB FITTINGS

- Our PEX/barb range is made from Lead Free DZR brass and all products were converted as of October 2012.
- We have also implemented an extended range of engineered polymer barb fittings.

LEAD FREE*



As of January 2014 a new Federal law came into effect that introduced a similar requirement across the whole country.

More information is available on our websites at:
www.cashacme.com
www.sharkbite.com

In this document, products are marked "Lead Free" or "Non-Potable" as applicable.

- "Lead Free" indicates that a product is suitable for use in an application that is anticipated or intended to deliver water for human consumption.
- "Non-Potable" designates that a product is only suitable for applications that are not anticipated or intended to deliver water for human consumption.

If a product is not marked "Lead Free" or "Non-Potable" it is either:

- Not designed to come into contact with water (e.g. tools, crimp rings, pipe hangers), or
- It is a replacement part or component for a valve or piece of Original Equipment, where it is necessary for the function of that valve or equipment to use the identical specification component with which it was originally designed and certified.

** A device is defined as Lead Free if its wetted surface has a weighted average lead content not exceeding 0.25%.*

LIMITED WARRANTY

SHARKBITE® AND CASH ACME® PRODUCTS

WHAT DOES THIS WARRANTY COVER?

Subject to conditions outlined in this statement, RWC (in the USA, Reliance Worldwide Corporation and in Canada, Reliance Worldwide Corporation (Canada) Inc.) warrants to owners of real property in the United States and Canada that SharkBite and Cash Acme products, when used and installed in accordance with the requirements set forth, shall be free from defects in material and workmanship for the applicable Warranty Period. This Limited Warranty is in effect for installations made after January 1, 2016 and is applicable to products installed in the country in which they were purchased.

Proof of purchase is required to validate the Warranty Period. If proof of purchase is not available, the Warranty Period commencement shall default to the date of manufacture for each product. If the product suspected of a defect does not have a clear date of manufacture on it, a proof of purchase will be required.

WHAT ARE THE CONDITIONS OF THIS WARRANTY?

1. All products must be installed in accordance with all then applicable codes, good plumbing practice, in accordance with any local, state, provincial or federal requirements, and installed in a potable water or radiant heating application unless a non-potable water service is specifically allowed for in the pertinent product literature.
2. The installer must use construction techniques compliant with then applicable codes to install the product and use the product within the design parameters specified in any installation guidelines and technical notes for the applicable system. This shall include field pressure testing prior to concealing with concrete or by other means and wrapping any brass fitting when buried. Failure to install RWC products according to manufacturer's installation instruction will void all applicable warranties and may result in severe water damage.
3. Products must at all times be used in a manner consistent with their intended use and be used in installations and environments acceptable to their material and design specifications, including not being installed in a system that may operate at temperatures or at pressures that exceed the approved ratings which can be found on the product, packaging or installation instructions.
4. Additional product specific conditions of this Limited Warranty and the Warranty Period are documented in the section entitled "HOW LONG DOES THE LIMITED WARRANTY COVERAGE LAST AND WHAT OTHER SPECIFIC CONDITIONS EXIST FOR EACH PRODUCT?". A condition for SharkBite Connection Systems is that the product must be installed by a licensed professional plumbing contractor.
5. Without limiting the foregoing, this Limited Warranty does not apply and you do not have a right of reimbursement if the product failure or resulting damage is caused by: (a) evidence of tampering, mishandling, neglect, abuse, accidental damage, freeze damage (it is expressly understood that failure as a result of any freezing fluids within the pipes does not constitute a defect in material or workmanship and shall not be covered by this warranty) or unauthorized modifications or repairs that cause damage to warranted products; (b) exposure to harmful, unauthorized, or unanticipated chemicals or substances or corrosive water conditions; (c) exposure to ultraviolet light; (d) faulty installation including failure to follow proper burial instructions; (e) damage from abnormal operating conditions including exposure pressures and temperatures beyond the specified operating range; (f) failure to properly test and pass common testing methods (including pressure testing) after the installation and before the product or system is put in service; (g) components not manufactured or sold by RWC; or (h) acts of nature such as earthquakes, fire, flood or lightning.
6. Although RWC provides a plumbing system to facilitate a complete installation, other manufacturers pipe and/or fittings may be installed in any given installation provided manufacturing of the pipe and/or fittings demonstrates compliance with the applicable ASTM/CSA standards, and the product has been certified by a recognized third-party testing agency. The RWC product in the given installation will continue to be covered under this Limited Warranty although limits on Warranty Period may apply. RWC will be responsible only for proven defects in material or workmanship in RWC products. Problems in products manufactured by another company should be reported to that manufacturer.

HOW DO YOU GET SERVICE?

In order to be eligible for service under this Limited Warranty you must return the defective product to RWC for inspection and testing within thirty (30) days after detection of alleged failure or defect occurring within applicable Warranty Period (with shipping charges prepaid) to the original place of purchase. If the alleged

defect involves a connection or joint with a RWC product, the fitting must be returned with a section of the pipe still inserted. You must include the model number of the product (if available), the original date of purchase, proof of purchase and the nature of the alleged product failure or defect. Products returned without shipping charges prepaid will be refused. For questions or inquiries, in the U.S. call 1(877)700-4242 and in Canada 1(888)820-0120.

WHAT WILL RWC DO?

If, after inspection, we find that a product covered by this Limited Warranty has failed due to a defect in material or workmanship during the specified Warranty Period, we will repair or replace, at our sole option, free of charge, the defective product during normal working hours and through a place of business as determined by RWC.

Notwithstanding anything to the contrary in this Limited Warranty, if RWC determines that any damages to the real property in which a defective product was installed were the direct result of a leak or failure caused by a defect in material or workmanship in any RWC product covered by this Limited Warranty and occurring within the first ten years after date of purchase or during the applicable Warranty Period, whichever is shorter, and if reasonable steps were taken to promptly limit or stop the effects of such leak or failure as soon as it was discovered, then RWC will reimburse the property owner for the reasonable costs of repairing or replacing such damaged real property to include flooring, drywall and painting and other real property damaged by the leak directly caused by the allegedly defective RWC product. Except as specified above or otherwise specifically authorized in writing by RWC, RWC shall not pay for any costs or expenses for transportation, relocation, labor, repairs or any other work associated with removing and/or returning failed or defective products or installing replacement products.

This shall constitute the sole and exclusive remedy for any defective product.

WHAT DOES THIS LIMITED WARRANTY NOT COVER?

RWC shall not be responsible for any other incidental, indirect, contingent, special or consequential damages, including without limitation, economic loss, lost profits or the cost of repairing or replacing other property which is damaged if these warranted products do not work properly, other costs resulting from labor charges, delays, vandalism, negligence, fouling caused by foreign material, damage from adverse water conditions, adverse chemical environments, or any other circumstances over which RWC has no control. This limitation applies even if RWC could have foreseen or has been advised of the possibility of these damages. This Limited Warranty shall be invalidated by any abuse, misuse, misapplication or improper installation of the product. Any remaining warranty coverage may not be assigned or transferred after the period ending ten years following the installation. RWC does not guarantee or in any way warrant the integrity or workmanship of the contractor/installer.

MISCELLANEOUS

Some States/Provinces do not allow limitations on how long an implied warranty lasts, and some States/Provinces do not allow the exclusion or limitation of incidental or consequential damages. Therefore, the above limitations may not apply to you. This Limited Warranty gives you specific legal rights, and you may have other rights that vary from State/Province to State/Province. You should consult applicable State/Provincial laws to determine your rights.

SO FAR AS IS CONSISTENT WITH APPLICABLE STATE/ PROVINCIAL/ FEDERAL LAW, THE EXPRESS WARRANTY SET FORTH HEREIN IS THE ONLY WARRANTY GIVEN BY RWC WITH RESPECT TO THE SHARKBITE® AND CASH ACME® PRODUCTS AND RWC MAKES NO OTHER WARRANTIES, EXPRESSED OR IMPLIED, AND HEREBY SPECIFICALLY DISCLAIMS ALL OTHER WARRANTIES, EXPRESSED OR IMPLIED, INCLUDING BUT NOT LIMITED TO THE IMPLIED WARRANTIES OF MERCHANTABILITY AND FITNESS FOR A PARTICULAR PURPOSE.

This Limited Warranty and any claims arising from breach of contract, breach of warranty, tort, or any other claim arising from sale or use of RWC's products shall be governed and construed under the laws of the State of Georgia. No action on the part of RWC under this Limited Warranty shall be construed as an admission of liability of that the product is not fit for its intended use.

HOW LONG DOES THE LIMITED WARRANTY COVERAGE LAST AND WHAT OTHER SPECIFIC CONDITIONS EXIST FOR EACH PRODUCT?

| CLASSIFICATION | PRODUCT CATEGORY | LIMITED WARRANTY PERIOD | CONDITIONS |
|----------------------------------|---|-------------------------|---|
| SharkBite Connection Systems | SharkBite Brass and Poly PEX Barb Fittings in conjunction with SharkBite PEX Pipe and SharkBite Rings/Clamps | Twenty-Five (25) Years | System must be installed by a licensed professional plumbing contractor and include: <ul style="list-style-type: none"> • SharkBite PEX Pipe Only - ASTM F876/CSA B137.5 • SharkBite Copper Crimp Rings – ASTM F1807 or F2159 • Stainless Steel Clamp Rings – ASTM F2098 |
| SharkBite and Cash Acme Products | SharkBite Universal Push-to-Connect Fittings and SharkBite 2XL Large Diameter Push-to-Connect Fittings in Application with Copper, PEX, CPVC and/or PE-RT | Twenty-Five (25) Years | Must be used with: <ul style="list-style-type: none"> • Copper–ASTM B 88 hard drawn copper tube K, L, and M • PEX–ASTM F876/CSA B137.5 • CPVC–ASTM D2846 or CSA B137.6 • PE-RT–ASTM F2769 |
| | SharkBite Universal Push-to-Connect Fittings and SharkBite 2XL Large Diameter Push-to-Connect Fittings in Application with HDPE | Five (5) Years | Must be used with: <ul style="list-style-type: none"> • HDPE SDR-9 ASTM D2737 |
| | SharkBite PEX Pipe | Twenty-Five (25) Years | Must be used with: <ul style="list-style-type: none"> • ASSE 1061, ASTM F1807, ASTM F2098, and/or ASTM F2159 fittings |
| | SharkBite Brass PEX Barb Fittings/ Copper Manifold | Five (5) Years | Must be used with Non-SharkBite PEX Pipe and Clamps/Rings that conform to: <ul style="list-style-type: none"> • PEX – ASTM F876/CSA B137.5 • Copper Crimp Rings – ASTM F1807 • Stainless Steel Clamp Rings – ASTM F2098 |
| | SharkBite Poly PEX Barb Fittings | Five (5) Years | Must be used with Non-SharkBite PEX Pipe and Clamps/Rings that conform to: <ul style="list-style-type: none"> • PEX – ASTM F876/CSA B137.5 • Copper Crimp Rings – ASTM F2159 • Stainless Steel Clamp Rings – ASTM F2098 |
| | SharkBite Tools | One (1) Year | From date of purchase; used in accordance with instructions |
| | SharkBite and Cash Acme Thermostatic Mixing Valves | Five (5) Years | Must be installed per installation instructions |
| | Other SharkBite and Cash Acme Valves | Two (2) Years | Must be installed per installation instructions |
| | SharkBite Accessories (Ball Valves, Supply Hoses, Supply Stops, Supply Valve Box Systems, Kits, Manifolds, etc.) | Two (2) Years | Must be installed per installation instructions |

| Part Number | Page | Part Number | Page | Part Number | Page | Part Number | Page | Part Number | Page |
|--------------------|------|--------------------|------|-------------------|------|----------------------|------|-----------------------|------|
| 22182-0000LF | 13 | 23101CP100 | 19 | 24983 | 9 | SB115450F | 4 | U3008LF | 3 |
| 22185-0000LF | 13 | 23102 | 19 | 24984 | 9 | SB115450M | 4 | U308LF | 5 |
| 22186-0000LF | 13 | 23102CP25 | 19 | 24985 | 9 | SBBV35 | 13 | U3016FLEX18LF | 9 |
| 22187-0000LF | 13 | 23102CP100 | 19 | 24986 | 9 | SBBV41 | 13 | U3016LF | 3 |
| 22222-0000LF | 13 | 23103 | 19 | 24987 | 9 | SBBV54 | 13 | U3020LF | 3 |
| 22223-0000LF | 13 | 23103CP25 | 19 | 25024 | 11 | SBDC35 | 12 | U3068FLEX12LF | 8 |
| 22304-0000LF | 13 | 23103CP100 | 19 | 25087 | 11 | SBDC354154 | 12 | U3068FLEX15LF | 8 |
| 22305-0000LF | 13 | 23104 | 19 | 25088 | 11 | SBDC41 | 12 | U3068FLEX18BVLV | 8 |
| 22306-0000LF | 13 | 23104CP25 | 19 | 25096 | 11 | SBDC54 | 12 | U3068FLEX18LF | 8 |
| 22441LF | 11 | 23220 | 19 | 25097 | 11 | SBG03 | 11 | U3068FLEX24LF | 8 |
| 22461LF | 18 | 23221 | 19 | 25098 | 11 | SRTL35 | 12 | U3086FLEX24LF | 9 |
| 22462LF | 18 | 23251 | 20 | 25099 | 11 | SRTL41 | 12 | U3088FLEX12LF | 8 |
| 22463LF | 18 | 23336-0000LF | 9 | 25401 | 18 | SRTL54 | 12 | U3088FLEX15LF | 8 |
| 22486LF | 11 | 23337-0000LF | 9 | 25404 | 11 | SS3068FLEX18BV | 9 | U3088FLEX18BVLV | 8 |
| 22604LF | 11 | 23358-0045 | 12 | 25406 | 12 | SS3086FLEX24LF | 8 | U3088FLEX18LF | 8 |
| 22630LF | 10 | 23382LF | 18 | RM22716 | 18 | SS3088FLEX18BV | 9 | U3088FLEX24LF | 8 |
| 22631LF | 10 | 23383 | 20 | RM22720 | 18 | SS3088FLEX18LF | 8 | U314LF | 5 |
| 22632LF | 10 | 23489 | 9 | RM22724 | 18 | SS3088FLEX24LF | 8 | U332LF | 5 |
| 22633LF | 10 | 23490 | 9 | SB0135 | 3 | U004LF | 3 | U334LF | 5 |
| 22675-0045 | 12 | 23807-0045 | 12 | SB013528 | 3 | U006LF | 3 | U335LF | 5 |
| 22783 | 18 | 23808-0045 | 12 | SB0141 | 3 | U008LF | 3 | U3358LF | 10 |
| 22784 | 18 | 23893-0045 | 12 | SB014128 | 3 | U009LF | 3 | U3362LF | 6 |
| 22785 | 18 | 23894-0045 | 12 | SB014135 | 3 | U012 | 7 | U3370LF | 6 |
| 22786 | 18 | 23896-0060 | 12 | SB0154 | 3 | U016LF | 3 | U340LF | 5 |
| 22787 | 18 | 23945-0060 | 12 | SB015441 | 3 | U020LF | 3 | U3482LF | 6 |
| 22788 | 18 | 23955-0045 | 12 | SB0235 | 4 | U050LF | 3 | U3486LF | 6 |
| 22789 | 18 | 23956-0045 | 12 | SB0241 | 4 | U057 | 7 | U351LFA | 10 |
| 22790 | 18 | 24383-0045 | 12 | SB0254 | 4 | U058LF | 3 | U3523LF | 10 |
| 22791 | 18 | 24384-0045 | 12 | SB0335 | 6 | U060LF | 3 | U3524LF | 10 |
| 22995LF | 10 | 24436 | 11 | SB03353516 | 6 | U066LF | 4 | U3525LF | 10 |
| 22996LF | 10 | 24437 | 11 | SB03353522 | 6 | U068LF | 4 | U3531LF | 10 |
| 22997LF | 10 | 24438 | 11 | SB03353528 | 6 | U070LF | 4 | U3537LF | 10 |
| 22998LF | 10 | 24439 | 11 | SB0341 | 6 | U072LF | 4 | U358LF | 5 |
| 23036-0000LF | 9 | 24440 | 11 | SB03414122 | 6 | U086LF | 6 | U359LF | 5 |
| 23037-0000LF | 9 | 24441 | 11 | SB03414128 | 6 | U088LF | 4 | U360LF | 5 |
| 23048-0000LF | 9 | 24442 | 11 | SB03414135 | 6 | U092LF | 4 | U362LF | 5 |
| 23049-0000LF | 9 | 24443 | 11 | SB0354 | 6 | U094LF | 4 | U363LF | 5 |
| 23050 | 19 | 24444 | 11 | SB03545428 | 6 | U110LF | 4 | U364LF | 5 |
| 23051 | 19 | 24445 | 11 | SB03545435 | 6 | U116LF | 4 | U366 | 7 |
| 23053 | 19 | 24449-0045 | 12 | SB03545441 | 6 | U118LF | 4 | U370LF | 5 |
| 23054 | 19 | 24504 | 13 | SB0435 | 6 | U120LF | 4 | U3712 | 12 |
| 23055 | 20 | 24505 | 13 | SB0441 | 6 | U126 | 7 | U374LF | 5 |
| 23056LF | 18 | 24529 | 13 | SB0454 | 6 | U134LF | 4 | U4008LF | 7 |
| 23057LF | 18 | 24530 | 13 | SB0535 | 4 | U138LF | 4 | U4016LF | 7 |
| 23058LF | 18 | 24615-0000LF | 13 | SB0541 | 4 | U139LF | 4 | U412LF | 5 |
| 23059LF | 18 | 24616-0000LF | 13 | SB0554 | 4 | U140LF | 4 | U416LF | 5 |
| 23060LF | 18 | 24617-0000LF | 13 | SB0635 | 3 | U142LF | 4 | U4358LF | 10 |
| 23061LF | 18 | 24680 | 9 | SB0641 | 3 | U2008-0000LF | 13 | U444LF | 5 |
| 23062LF | 18 | 24731LF | 9 | SB0654 | 3 | U2016-0000LF | 13 | U4482LF | 6 |
| 23063LF | 18 | 24732LF | 9 | SB0735 | 4 | U2020-0000LF | 13 | U454LF | 5 |
| 23064LF | 18 | 24733LF | 9 | SB0741 | 4 | U2276LF | 5 | U462LF | 6 |
| 23066LF | 18 | 24734LF | 9 | SB0754 | 4 | U244LF | 4 | U464LF | 6 |
| 23065 | 19 | 24735LF | 13 | SB0835 | 5 | U246LF | 4 | U512LF | 6 |
| 23067LF | 16 | 24736LF | 13 | SB08353516 | 5 | U248LF | 4 | U514LF | 6 |
| 23068LF | 16 | 24737LF | 13 | SB08353522 | 5 | U249LF | 5 | U516 | 7 |
| 23069 | 18 | 24930 | 10 | SB08353528 | 5 | U252 | 7 | U518LF | 6 |
| 23070 | 18 | 24931 | 10 | SB0841 | 5 | U256LF | 4 | U520LF | 6 |
| 23071A10 | 19 | 24932 | 10 | SB08414122 | 5 | U260LF | 4 | U701 | 20 |
| 23072A10 | 19 | 24933 | 10 | SB08414128 | 5 | U272LF | 5 | U702 | 11 |
| 23073A10 | 19 | 24934 | 10 | SB08414135 | 5 | U273 | 7 | U706 | 12 |
| 23074A10 | 19 | 24935 | 10 | SB0854 | 5 | U274LF | 5 | U708 | 12 |
| 23075A10 | 19 | 24936 | 10 | SB08545428 | 6 | U276LF | 5 | U710 | 12 |
| 23076A10 | 19 | 24937 | 10 | SB08545435 | 6 | U278LF | 5 | U711 | 12 |
| 23080 | 20 | 24938 | 10 | SB08545441 | 6 | U280LF | 5 | U712 | 12 |
| 23081 | 20 | 24939 | 10 | SB113532F | 4 | U281LF | 5 | U713 | 12 |
| 23100 | 20 | 24940 | 10 | SB113532M | 4 | U286LF | 5 | U714 | 12 |
| 23101 | 19 | 24946 | 9 | SB114140F | 4 | U3001A | 11 | U715 | 12 |
| 23101CP25 | 19 | 24947 | 9 | SB114140M | 4 | U3008FLEX18LF | 9 | U719LF | 6 |

| Part Number | Page | Part Number | Page | Part Number | Page | Part Number | Page | Part Number | Page |
|-------------------|------|-------------------|------|-------------------|------|-------------------|------|-------------------|------|
| U721LF | 6 | U8700300 | 23 | UC118LF | 14 | UC961 | 20 | UP412 | 17 |
| U722LF | 6 | U8700500 | 23 | UC120LF | 14 | UCF12128A | 17 | UP414 | 17 |
| U724LF | 6 | U87001000 | 23 | UC134LF | 14 | UCF12128H | 17 | UP415 | 17 |
| U766LF | 4 | U870P100 | 23 | UC138LF | 14 | UCF12128V | 17 | UP416 | 17 |
| U772LF | 4 | U870P300 | 23 | UC139LF | 14 | UCF128L | 17 | UP444 | 17 |
| U782LF | 9 | U870R2 | 22 | UC140LF | 14 | UCF128R | 17 | UP454 | 17 |
| U850W5 | 22 | U870R5 | 22 | UC142LF | 14 | UCF128S | 17 | UP514 | 17 |
| U850W50 | 22 | U870R10 | 22 | UC246LF | 14 | UCF128U | 17 | UP518 | 17 |
| U850W100 | 22 | U870R20 | 22 | UC248LF | 14 | UCF16128H | 17 | UP520 | 17 |
| U8550100 | 23 | U870R25W | 22 | UC256LF | 14 | UCF16128V | 17 | UP526 | 17 |
| U8550300 | 23 | U870R50W | 22 | UC260LF | 14 | UCF16168H | 17 | UP527 | 17 |
| U8550500 | 23 | U870R100W | 22 | UC272LF | 15 | UCF16168V | 17 | UP532 | 17 |
| U855B100 | 22 | U870R300W | 22 | UC273LF | 15 | UCF168L | 17 | | |
| U855R100 | 22 | U870R500W | 22 | UC274LF | 15 | UCF168R | 17 | | |
| U855W5 | 22 | U870W2 | 22 | UC278LF | 15 | UCF168U | 17 | | |
| U855W10 | 22 | U870W5 | 22 | UC280LF | 15 | UF12128A | 8 | | |
| U855W50 | 22 | U870W10 | 22 | UC286LF | 15 | UF12128H | 8 | | |
| U855W100 | 22 | U870W20 | 22 | UC334LF | 15 | UF12128V | 8 | | |
| U860B2 | 22 | U870W25W | 22 | UC340LF | 15 | UF128L | 8 | | |
| U860B5 | 22 | U870W50W | 22 | UC342LF | 15 | UF128R | 8 | | |
| U860B10 | 22 | U870W100W | 22 | UC360LF | 15 | UF128S | 8 | | |
| U860B20 | 22 | U870W300W | 22 | UC362LF | 15 | UF128U | 8 | | |
| U860B25W | 22 | U870W500W | 22 | UC363LF | 15 | UF16128H | 8 | | |
| U860B50W | 22 | U880B5 | 22 | UC364LF | 15 | UF16128V | 8 | | |
| U860B100W | 22 | U880B10 | 23 | UC370LF | 15 | UF16168H | 8 | | |
| U860B300W | 22 | U880B20 | 23 | UC374LF | 15 | UF16168V | 8 | | |
| U860B500W | 22 | U880B100W | 22 | UC4006LF | 16 | UF168L | 8 | | |
| U860B1000W | 22 | U880B300W | 22 | UC4008LF | 16 | UF168R | 8 | | |
| U860O20 | 23 | U880B500W | 22 | UC4016LF | 16 | UF168U | 8 | | |
| U860O100 | 23 | U880O20 | 23 | UC408LF | 15 | UFH034 | 20 | | |
| U860O300 | 23 | U880O100 | 23 | UC412LF | 15 | UIP120 | 7 | | |
| U860O500 | 23 | U880O300 | 23 | UC413LF | 15 | UIP134 | 7 | | |
| U860O1000 | 23 | U880O500 | 23 | UC414LF | 15 | UIP140 | 7 | | |
| U860P100 | 23 | U880P100 | 23 | UC415LF | 15 | UIP3008 | 7 | | |
| U860P300 | 23 | U880P300 | 23 | UC416LF | 15 | UIP3016 | 7 | | |
| 860R2 | 22 | U880R5 | 22 | UC417LF | 15 | UIP3020 | 7 | | |
| 860R5 | 22 | U880R10 | 23 | UC418LF | 15 | UIP363 | 7 | | |
| 860R10 | 22 | U880R20 | 23 | UC434LF | 15 | UIP364 | 7 | | |
| 860R20 | 22 | U880R100W | 22 | UC444LF | 15 | UIP371 | 7 | | |
| U860R25W | 22 | U880R300W | 22 | UC452LF | 15 | UIP372 | 7 | | |
| U860R50W | 22 | U880R500W | 22 | UC454LF | 15 | UIP375 | 7 | | |
| U860R100W | 22 | U880W5 | 22 | UC512LF | 16 | UIP376 | 7 | | |
| U860R300W | 22 | U880W10 | 23 | UC514LF | 16 | UIP4008 | 7 | | |
| U860R500W | 22 | U880W20 | 23 | UC518LF | 16 | UIP4016 | 7 | | |
| U860R1000W | 22 | U880W100W | 22 | UC520LF | 16 | UIP4020 | 7 | | |
| U860W2 | 22 | U880W300W | 22 | UC526LF | 15 | UIP710 | 7 | | |
| U860W5 | 22 | U880W500W | 22 | UC527LF | 15 | UIP712 | 7 | | |
| U860W10 | 22 | U885W20 | 23 | UC528LF | 16 | UIP714 | 7 | | |
| U860W20 | 22 | U885W100 | 22 | UC529LF | 15 | UP008 | 16 | | |
| U860W25W | 22 | U890W20 | 23 | UC530LF | 15 | UP016 | 16 | | |
| U860W50W | 22 | U890W100 | 22 | UC531LF | 15 | UP020 | 16 | | |
| U860W100W | 22 | U895W20 | 23 | UC532LF | 15 | UP058 | 16 | | |
| U860W300W | 22 | U895W100 | 22 | UC534LF | 15 | UP060 | 16 | | |
| U860W500W | 22 | UC006LF | 14 | UC594LF | 15 | UP120 | 16 | | |
| U860W1000W | 22 | UC008LF | 14 | UC600LF | 14 | UP134 | 16 | | |
| U8650300 | 23 | UC009LF | 14 | UC605LF | 14 | UP138 | 16 | | |
| U870B2 | 22 | UC012LF | 14 | UC606LF | 14 | UP140 | 16 | | |
| U870B5 | 22 | UC016LF | 14 | UC607LF | 14 | UP248 | 16 | | |
| U870B10 | 22 | UC020LF | 14 | UC608LF | 14 | UP256 | 16 | | |
| U870B20 | 22 | UC057LF | 14 | UC609LF | 14 | UP260 | 16 | | |
| U870B25W | 22 | UC058LF | 14 | UC626LF | 15 | UP274 | 16 | | |
| U870B50W | 22 | UC060LF | 14 | UC628LF | 15 | UP280 | 16 | | |
| U870B100W | 22 | UC068LF | 14 | UC952 | 19 | UP360 | 16 | | |
| U870B300W | 22 | UC072LF | 14 | UC953 | 19 | UP362 | 16 | | |
| U870B500W | 22 | UC088LF | 14 | UC954 | 19 | UP370 | 16 | | |
| U870O20 | 23 | UC094LF | 14 | UC955 | 19 | UP374 | 16 | | |
| U870O100 | 23 | UC116LF | 14 | UC956 | 19 | UP408 | 17 | | |



CERTIFICATIONS

The SharkBite push-to-connect fittings have been design certified and listed to ASSE 1061/NSF 61. The SharkBite push-to-connect fittings are listed by IAPMO and are certified for potable and hydronic heating water distribution (Note: Glycol mixture for hydronics is acceptable up to and including 100%). The SharkBite push-to-connect fittings have been certified for underground applications and as a manufactured joint without access panels and they meet UPC, IPC and cUPC requirements. Any SharkBite fitting listed as Lead Free is compliant with NSF/ANSI 372. Please consult with local plumbing codes concerning specific applications.

The SharkBite pipe without oxygen barrier is approved for all model codes in the US and Canada for use in potable water systems and is certified to the following standards: ASTM F 876, ASTM F 877, CSA B137.5 and AWWA C904.

The SharkBite pipe with oxygen barrier is approved for use in all model codes in the US and Canada for use in hydronic and potable water systems and is certified to the following standards: ASTM F 876, ASTM F 877, CSA B137.5 and AWWA C904.

Note: The SharkBite push-to-connect fittings are not approved for use with chrome-plated pipe. SharkBite Polybutylene couplings are designed to work with ASTM D3309 spec polybutylene, do not install onto damaged or decayed PB pipe.



Reliance Worldwide Corporation

2727 Paces Ferry Road SE
Building 2, Suite 1800
Atlanta, GA 30339

Phone: 1-877-700-4242 • Fax: 1-877-700-4280
www.rwc.com



www.sharkbite.com | www.cashacme.com

MANUFACTURED AND DISTRIBUTED BY RELIANCE WORLDWIDE CORPORATION