

Submittal Sheet

General Description:

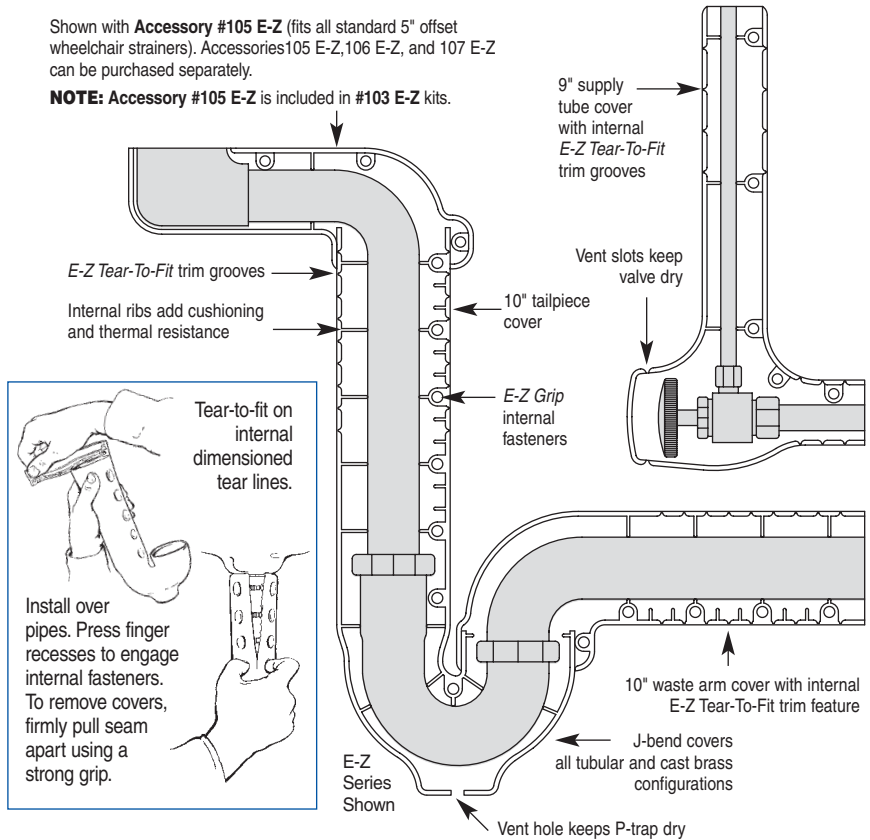
LAV GUARD² E-Z Series waste and supply piping covers satisfy ADA compliance requirements. Built-in *E-Z Grip* internal fasteners and internal, *E-Z Tear-To-Fit* trimming feature allow for fast installation without tools. *Series #100 E-Z* kits are designed to fit on all tubular and cast brass P-trap assemblies. *Series #400* kits are the "original" LAV GUARD design and fit schedule 40 ABS and PVC P-trap assemblies — regardless of their geometry or rotational offset. Valve cover completely encloses angle valve and supply tube for both handled and keyed type water stops.

Material	Molded vinyl
Nominal Wall	1/8" constant
Durometer	70 - 80 - Shore A
UV Protection	Will not fade or discolor
Durability	Virtually indestructible
Trimming (E-Z Series)	Internal, <i>E-Z Tear-To-Fit</i> trim feature
Fasteners (E-Z Series)	Internal <i>E-Z Grip</i> fasteners (reusable)
Color	China white
Paintability	Apply Latex paint
Burning Characteristics ASTM D-635	Self extinguished 0 sec (ATB) 0 mm (AEB)
Bacteria/Fungus Resistance	ASTM G21 and G22/ Result: 0 growth
Maintenance	Use common detergents

Manufactured under one or more of the following U.S. or Canadian patents. Other patents pending.
5,303,730 5,360,031 5,524,669 5,564,463 5,678,598 5,699,828 5,915,412 5,915,413 5,901,739 5,960,820 2,075,324 2,119,427 2,136,027 2,158,083



IPS Corporation, 202 Industrial Park Lane, Collierville, TN 38017
(901) 853-5001 (800) 340-5969 FAX: (901) 853-5008
e-mail: info@truebro.com Internet: http://www.truebro.com



#100 E-Z Series (shown above right) for tubular and cast brass P-trap assemblies.
#400W* Series (original design) for schedule 40 P-trap assemblies.

- | | | |
|---|---|---|
| <input type="checkbox"/> Model #99 E-Z
One angle valve and supply cover

<input type="checkbox"/> Model #100 E-Z
One P-trap cover

<input type="checkbox"/> Model #400W*
One P-trap cover

<input type="checkbox"/> Model #101 E-Z
One P-trap cover, one angle valve cover

<input type="checkbox"/> Model #401W*
One P-trap cover, one angle valve cover | <input type="checkbox"/> Model #102 E-Z
One P-trap cover, two angle valves and covers

<input type="checkbox"/> Model #402W*
One P-trap cover, two angle valves and covers

<input type="checkbox"/> Model #103 E-Z
One P-trap cover, two angle valves and supply covers, one 5" offset tailpiece wheelchair strainer cover

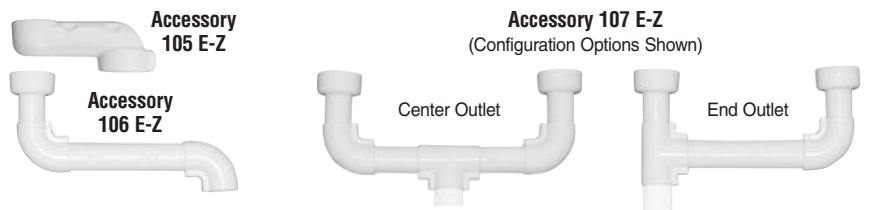
<input type="checkbox"/> Accessory #105 E-Z
One 5" offset tailpiece wheelchair strainer assembly | <input type="checkbox"/> Accessory #105-K
Kohler 6" offset

<input type="checkbox"/> Accessory #106 E-Z
One basket strainer cover and offset waste cover (adjustable to 18")

<input type="checkbox"/> Accessory #107 E-Z
Two basket strainer covers and center or end outlet waste cover (adjustable)

<input type="checkbox"/> Accessory #Ex99 E-Z
One 16" extension for water supply

<input type="checkbox"/> Accessory #Ex100 E-Z
One 16" extension for drain waste arm or tailpiece |
|---|---|---|
- *All #400W series items are the "original" LAV GUARD² design and construction. Specifications may change without notice.



Job/Location _____

Designer _____



LAV GUARD2: P-trap and Angle Valve & Supply Cover

SPECIFICATION

LAV GUARD® 2E-Z Series waste and supply piping covers satisfy ADA compliance requirements. Built-in E-Z Grip internal fasteners and internal, E-Z Tear-To-Fit trimming feature allow for fast installation without tools. Series #100 E-Z kits are designed to fit on all 1-1/4" or 1-1/2" tubular and cast brass P-trap assemblies. Series #400 kits are the "original" LAV GUARD design and fit all 1 1/2" schedule 40 ABS and PVC P-trap assemblies — regardless of their geometry or rotational offset. Valve cover completely encloses angle valve and supply tube for both handled and keyed type water stops. (Note: Tear-to-fit as needed. All dimensions provided below are prior to tearing.

Specs:

Material: Molded vinyl

Nominal Wall: 1/8" constant

Durometer: 70-80-Shore A

UV Protection: Will not fade or discolor

Durability: Virtually indestructible

Trimming (E-Z Series): Internal, E-Z Tear-To-Fit trim feature

Fasteners (E-Z Series): Internal E-Z Grip fasteners (reusable)

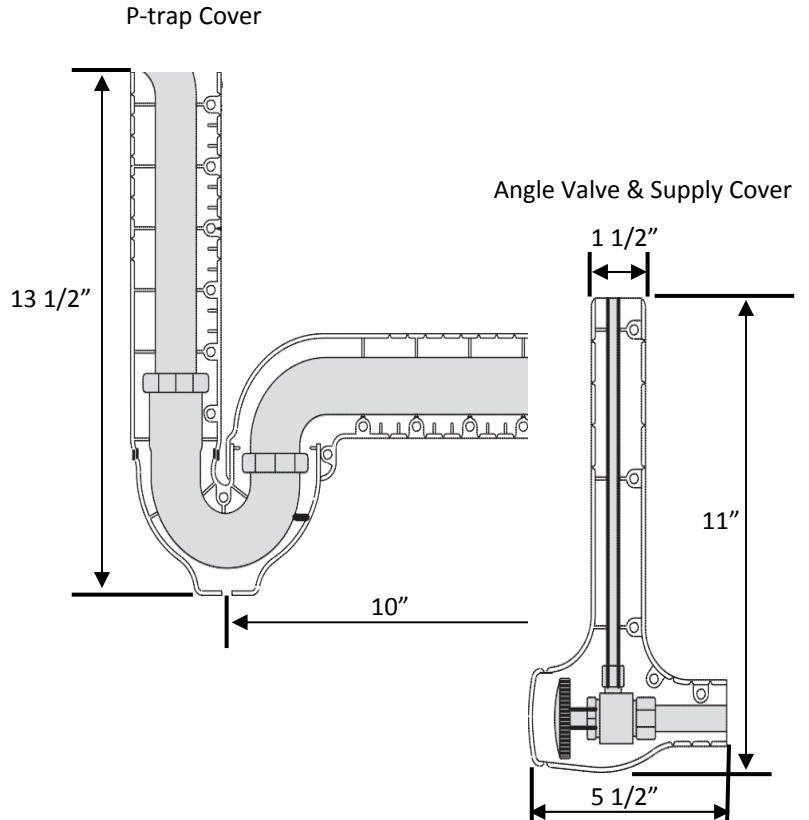
Color: China white

Paintability: Apply Latex paint

Burning Characteristics ASTM D-635: Self extinguished 0 sec (ATB) 0 mm (AEB)

Bacteria/Fungus Resistance: ASTM G21 and G22/ Result: 0 growth

Maintenance: Use common detergents



Product Code	Model Number	Description
82188	99-EZ	One Angle Valve and Supply Cover
82190	100-EZ	One P-trap Cover
82192	101-EZ	One P-trap Cover, One Angle Valve and Supply Cover
82193	102-EZ	One P-trap Cover, Two Angle Valve & Supply Covers



www.ipscorp.com watertite@ipscorp.com

500 Distribution Parkway, Collierville, TN 38017, USA ■ TEL: 901-853-5001 ■ WATS: 800-888-8312 ■ FAX: 901-853-5008



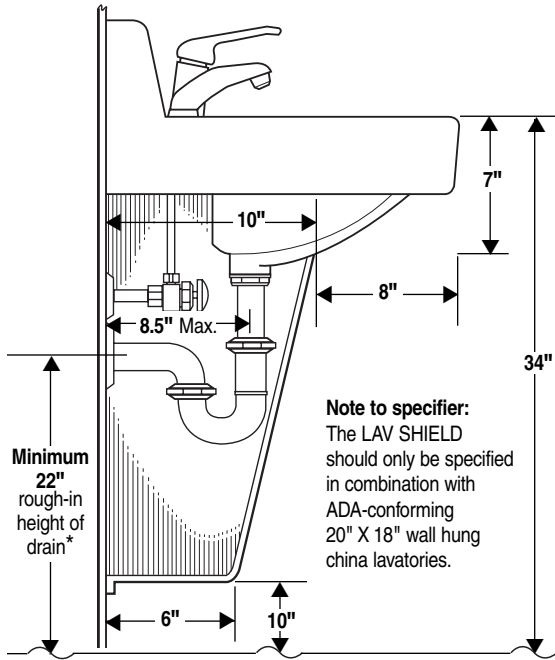


LAV SHIELD®
LAVATORY PROTECTIVE ENCLOSURES

ADA-compliant undersink protection



Submittal Sheet



* Less than 22" rough-in height, certain job conditions or certain lavatories may require an offset tailpiece or offset grid strainer.

General Description:

LAV SHIELD® rigid enclosure is dimensionally engineered to satisfy ADA requirements, design aesthetics and mechanical cooperation. LAV SHIELD conceals electronic faucet components, mixing valves, trap primers and instantaneous water heaters**, while allowing wheelchair accessibility under lavatories and eliminating vandalism. Available in the standard model for field fit applications or may be ordered as a factory pre-cut which closely follows the underside contours of the lavatory specified.

** Lavatory "rough in" should be considered to allow mounting room for water heater behind enclosure. Contact TRUEBRO for specifications.

Material	Rigid high-impact, stain-resistant, rigid PVC
Nominal Wall	.093"
Finish	Fine haircell
UV Protection	Will not fade or discolor
Durability	Virtually indestructible
Fasteners	7 stainless steel screws and wall anchors provided
Color	China white
Compatibility	Fits all ADA-conforming 20" x 18" wall-hung china lavatories
Paintability	Apply acrylic enamel or Latex
UL Listing	In accordance with ADA Article 4.19.4
Flammability	UL-94 V-0, 5VA ASTM D-635-91 4 (ATB) 2.1 (AEB)
Bacterial/Fungal Resistance	ASTM G21 and G22/Result 0

LAV SHIELD Model #2018 — Standard (to be Field Fit)

LAV SHIELD Factory Pre-cuts Available:

- Model #2018-AS-C – Am.Std. Comrade
- Model #2018-AS-D – Am.Std. Declyn
- Model #2018-AS-L – Am.Std. Lucerne
- Model #2018-AS-M – Am.Std. Muro
- Model #2018-AS-OL – Am.Std. Old Lucerne
- Model #2018-AS-R – Am.Std. Roxalyn
- Model #2018-BD-I – Bradley Imperial
- Model #2018-BR-M – Briggs Milton
- Model #2018-BR-W – Briggs Whitman
- Model #2018-CR-H – Crane Harwich
- Model #2018-CR-N – Crane Norwich
- Model #2018-CR-W – Crane Westmont
- Model #2018-CR-Y – Crane Yorkshire
- Model #2018-EL-B – Eljer Blair
- Model #2018-EL-D – Eljer Delwyn
- Model #2018-EL-M – Eljer Mayburne
- Model #2018-EL-S – Eljer Signature
- Model #2018-EL-U – Eljer Bucknell
- Model #2018-GR-H – Gerber Hayes
- Model #2018-GR-P – Gerber Plymouth
- Model #2018-KO-C – Kohler Chesapeake
- Model #2018-KO-G – Kohler Greenwich
- Model #2018-KO-H – Kohler Hudson
- Model #2018-KO-K – Kohler Kingston
- Model #2018-KO-P – Kohler Pinoir
- Model #2018-KO-S – Kohler Soho
- Model #2018-MA-H – Mansfield 2018 HB
- Model #2018-MA-NS – Mansfield 2018 HB-NS
- Model #2018-TO-L – Toto LT307
- Model #2018-VT – Vitra 5072-003-0030

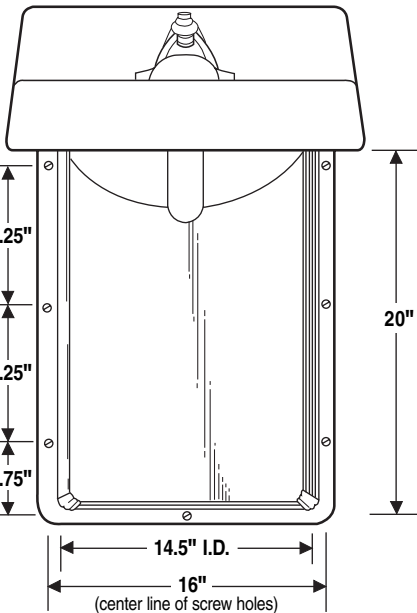
Tamper-resistant Screws (Torx Head Screws)

Special Pre-cut Request: _____

Job/Location _____

Designer _____

TRUEBRO reserves the right to make product and material changes at any time without notice.
12/06



U.S. and Canadian patents:
D373,412, D372,077,
D384,732, D393,700,
D390,643, 79,064, 79,063

IPS Corporation, 202 Industrial Park Lane, Collierville, TN 38017
(901) 853-5001 (800) 340-5969 FAX: (901) 853-5008
e-mail: info@truebro.com Internet: http://www.truebro.com



Lav Shield Classified by
Underwriters Laboratories Inc.®
in accordance with
ADA article 4.19.4 22FF



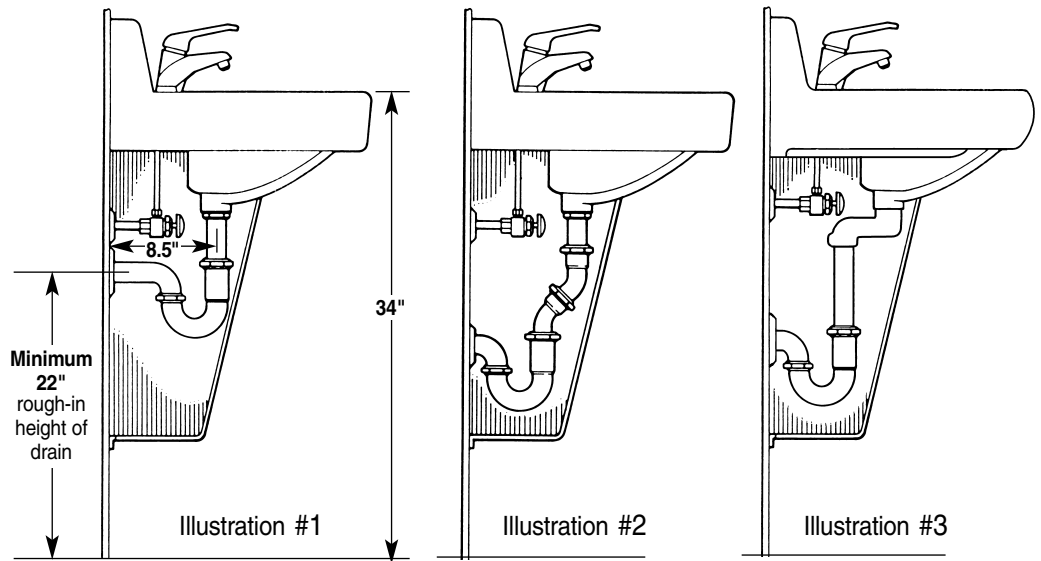
Standard Installation:

The Lav Shield is designed to be used in combination with ADA conforming 20" x 18" wall-hung china lavatories with waste outlets a maximum of 8.5" from wall (Illustration #1).

IMPORTANT: A recommended height of 22 inches from floor is best for waste drain rough-in to allow for P-trap clearance (Illustration #1).

Installation Variations:

If drain rough-in is less than 22" from floor or P-trap interferes with slanted front surface of Lav Shield, complete installation by flexing Lav Shield into place (for minor interference) or modify drain piping with offset tailpiece piping as shown in Illustration #2 or #3.



Installation Note: Depending on the make and model of the lavatory, some scribing and coping may be required for satisfactory fit to underside of lavatory.

Installation of the Lav Shield:

Pre-cut Model Installation – begin at step 4
Standard Field Fit Installation – steps 1-6

1. Position the Lav Shield centered and square to underside of lavatory as high as possible. Temporarily affix to wall with 2" tape (duct, masking, packaging, etc.).
2. Using the pencil compass provided, carefully hold compass so the pencil tip and compass point are 90° to the floor at all times (Illustration #4). Scribe cut line on Lav Shield where material needs to be cut away for proper fit.

3. Using saber saw, carefully cut to line and file smooth (Illustration #5). A rotary file drill attachment may also be used to fit contour.
4. Once satisfactory fit is obtained, position Lav Shield and mark anchor holes for fastening.
5. Drill 3/16" holes for anchors and screw Lav Shield into place. (T-15 Torx driver for security fasteners.)
6. If needed, caulk along top edge.

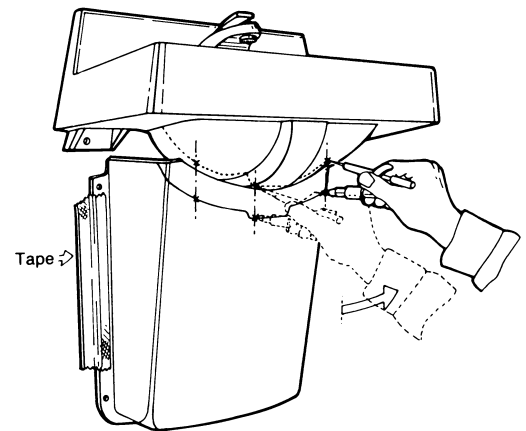


Illustration #4

Truebro Warranty

Truebro warrants its products against defective material and manufacture (but not defective installation) for one year after installation. Truebro's liability under this warranty shall be limited to the repair or replacement of the defective product. There shall be no other remedy available, including without limitation, recovery for incidental or consequential damages, injury to person or property, or any other incidental or consequential loss.

The warranty described above shall be IN LIEU OF any other warranty, express or implied, including without limitation, any implied warranty of MERCHANTABILITY or fitness for a particular purpose.

Some states do not allow the exclusion or limitation on the period of warranty or incidental or consequential damages, so the above limitations may not apply to you.

Finished Installation

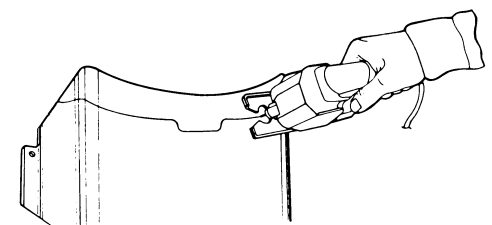
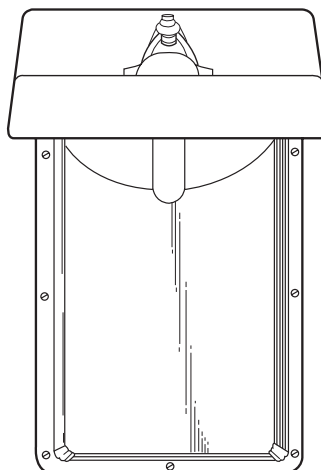
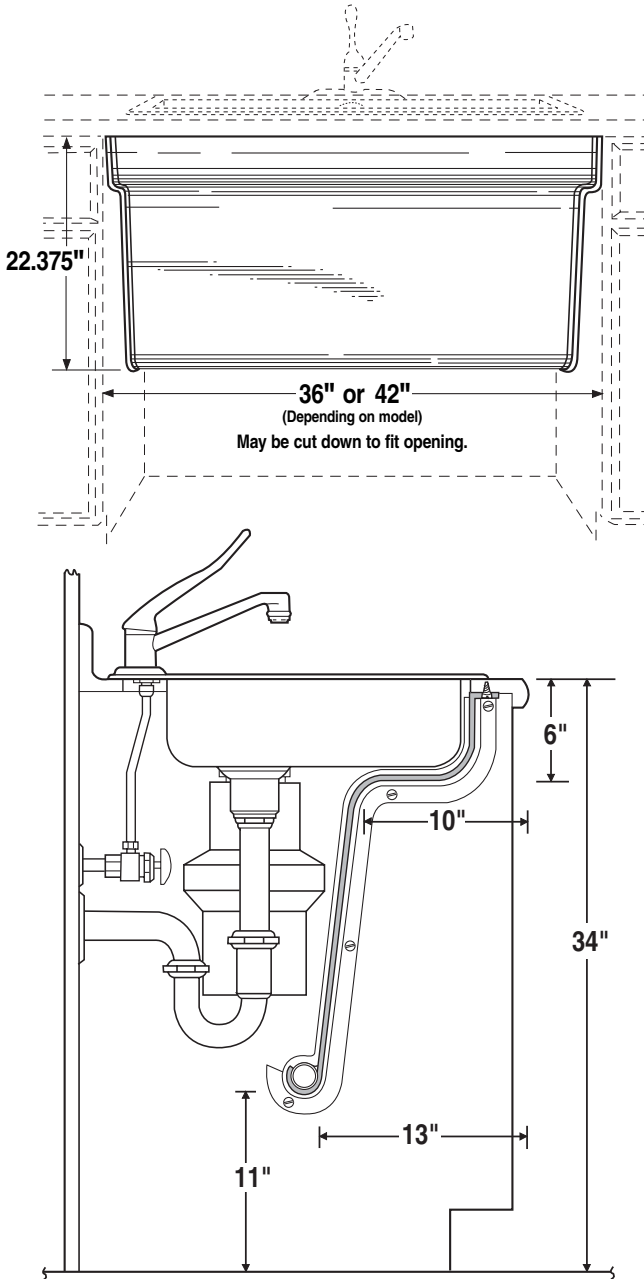


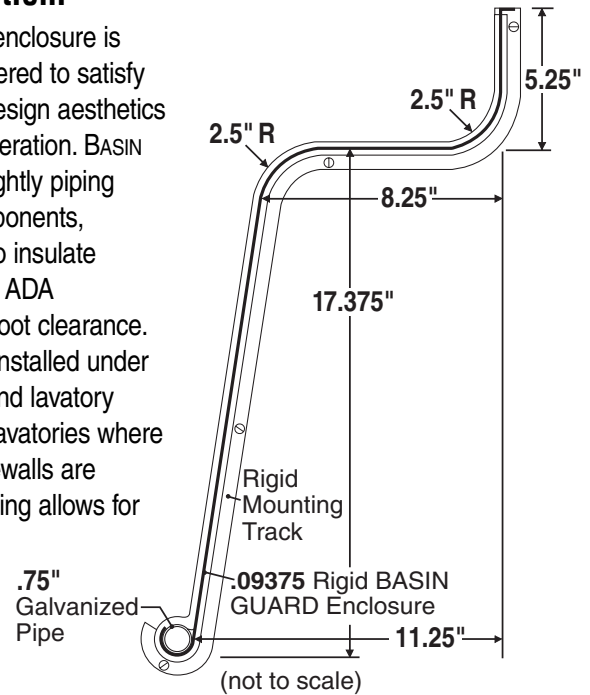
Illustration #5

Submittal Sheet



General Description:

BASIN GUARD's[®] rigid enclosure is dimensionally engineered to satisfy ADA requirements, design aesthetics and mechanical cooperation. BASIN GUARD conceals unsightly piping and mechanical components, eliminates the need to insulate piping, and maintains ADA mandated knee and foot clearance. BASIN GUARD can be installed under kitchen, classroom, and lavatory sinks and rest room lavatories where counter tops and sidewalls are present. Bottom opening allows for easy service access.



Note to specifier: The BASIN GUARD must be specified in combination with ADA-conforming sinks (example, Elkay GEGR or LRAD Line, or Just Manufacturing ADA Line with rear drain) with a maximum 6" deep bowl and rear waste outlet.

Material	Rigid high-impact, stain-resistant PVC
Nominal Wall	.093" constant
Finish	Fine haircell
UV Protection	Will not fade or discolor
Durability	Virtually indestructible
Fasteners	Eight (8) – #6 X 1/2" screws
Color	White or beige
Paintability	Apply acrylic enamel or latex
Flammability	UL-94 V-0, 5VB

BASIN GUARD may be trimmed smaller to fit actual opening size.

- BASIN GUARD Model #36** — White Beige
Fits under sink compartments 36" or less.
- BASIN GUARD Model #42** — White Beige
Fits under sink compartments 42" or less.

Job/Location _____

Architect _____

Engineer _____

Contractor _____

TRUEBRO reserves the right to make product and material changes at any time without notice.
12/05

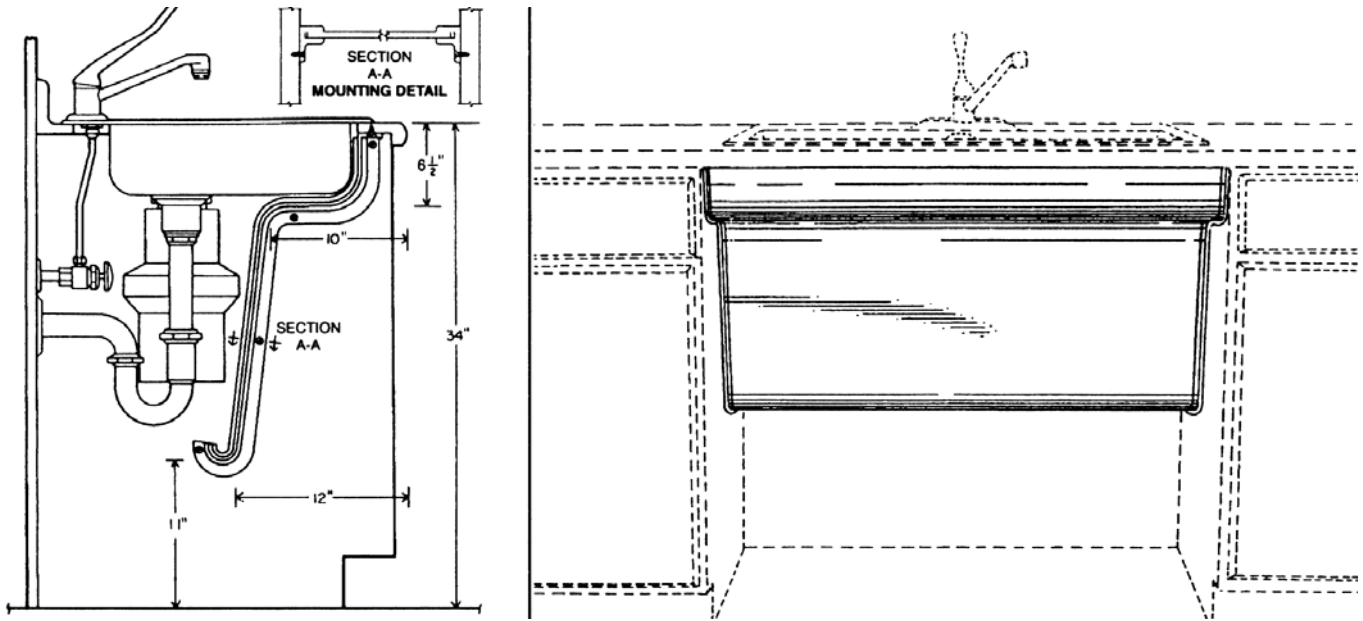
U.S. and Canadian Patents: 77,065, D375,154

INSTRUCTIONS

The TRUEBRO Basin Guard Model #36 and Model #42 undersink enclosures are designed around A.D.A. conforming sinks with 5 ½" - 6" deep bowls and rear waste outlets, and the undersink compartment is 36 or 42 inches wide. The following instructions are a guide for installations with sink openings under 36 inches for Model #36 or under 42 inches for Model #42.

Tools needed: Ruler, sabre saw, hack saw, drill and phillips screwdriver.

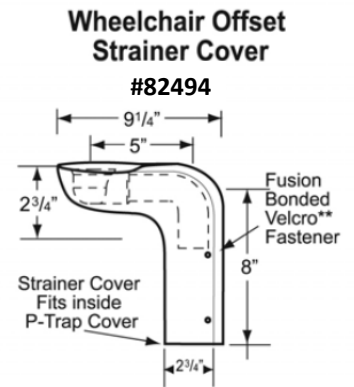
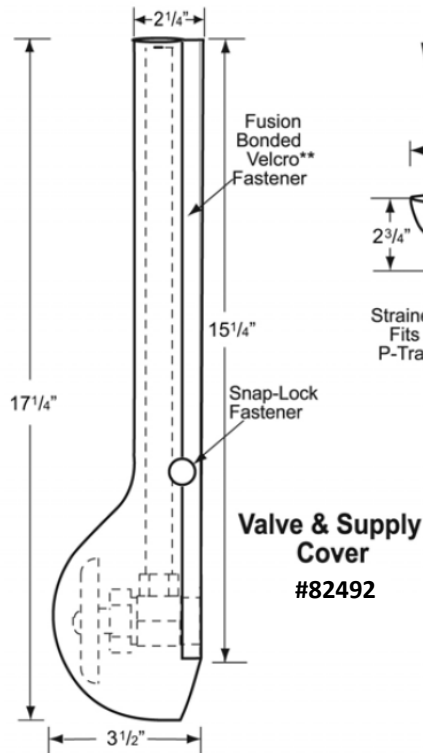
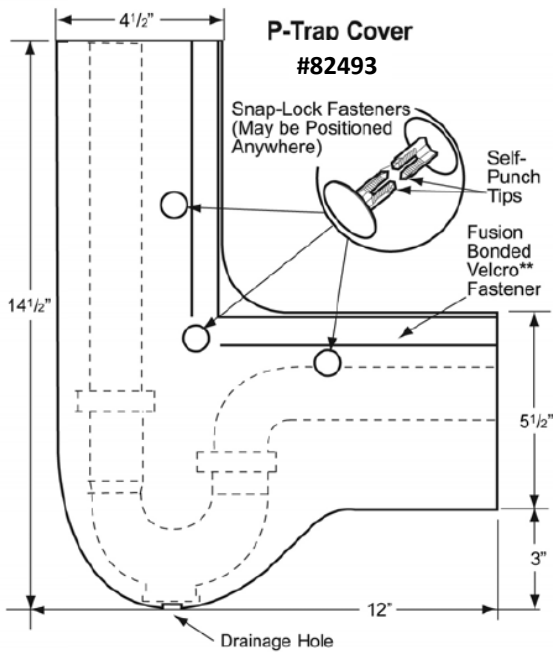
1. Measure opening of the undersink compartment at top and 1 foot from floor.
2. Double check your dimensions, consider the opening may be out of square or one side out of plumb. Your scribe may have to be adjusted according to the opening.
3. Remove edge molding . Scribe a trim line down desired edge of Basin Guard enclosure with pencil.
4. Consider that the two edge cap moldings add a total of 3/8 inch to the enclosure overall length.
5. Using a sabre saw, carefully trim edge on scribe line accordingly.



6. Push on edge moldings and prop up Basin Guard into place inside of sink compartment. Trim around sink clips if needed on top mounting flange.
7. Using a 3/32 drill, drill pan head screws into place along top flat surface of Basin Guard. The remaining flat head screws can be installed along sides.



Soft Guard Plus™—Black



SPECIFICATION

Install 1/8" pliable PVC Shell finish Soft Guard Plus on all drainage piping including hot and cold water valve and supplies under lavatories to comply with ADA, IBC, and UPC standards. Covers shall be secured by joining internal hook and loop fastening system. Furnished custom fit snap-to-lock fasteners may be used for improved tamper resistance.

COMPLIANCE & TESTING STANDARDS:

- Complies with ADA 4.19.4
- Complies with ASME A112.18.9
- IAPMO (UPC) Listed
- Complies with ICC/ANSI A117.1 section 606.6
- PVC material tested and complies to ASTM E-84 25 Flame Spread/450 Smoke Index

Product #	Description
82492	Supply and Valve cover - Black
82493	P-Trap cover only - Black
82494	Offset cover only - Black
82495	P-Trap/1 valve - Black
82496	P-Trap/2 valve covers - Black



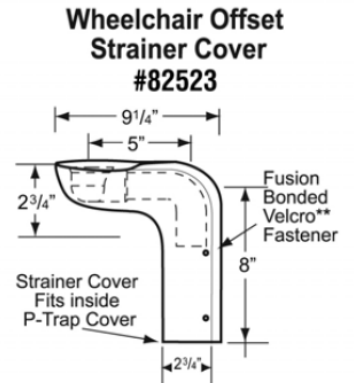
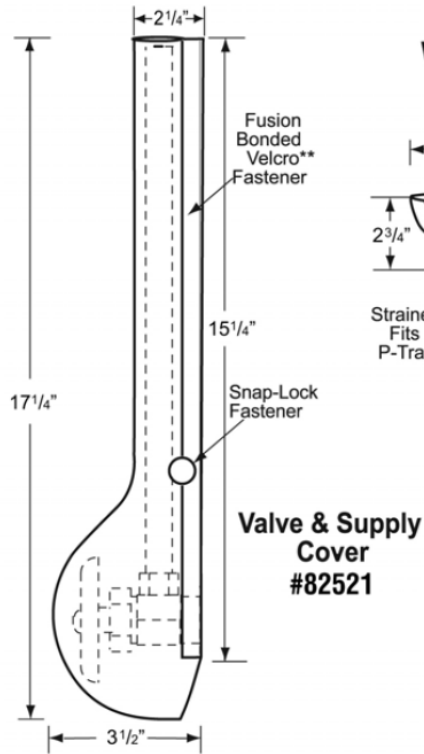
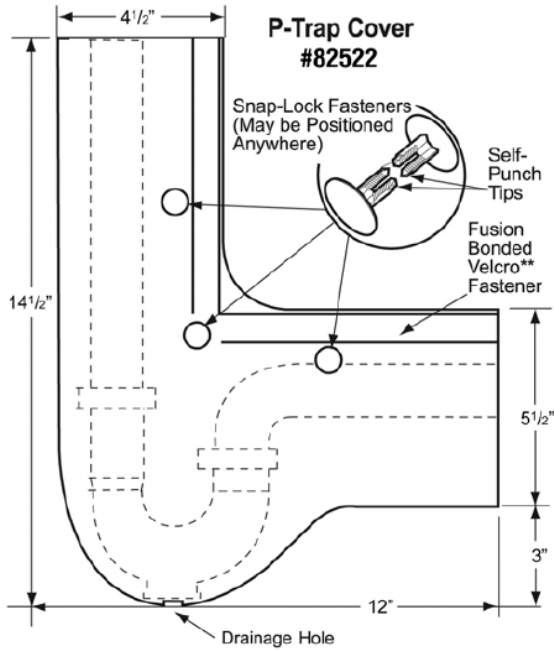
www.ipscorp.com watertite@ipscorp.com

500 Distribution Parkway, Collierville, TN 38017, USA ■ TEL: 901-853-5001 ■ WATS: 800-888-8312 ■ FAX: 901-853-5008





Soft Guard Plus™—White



SPECIFICATION

Install 1/8" pliable PVC Shell finish Soft Guard Plus on all drainage piping including hot and cold water valve and supplies under lavatories to comply with ADA, IBC, and UPC standards. Covers shall be secured by joining internal hook and loop fastening system. Furnished custom fit snap-to-lock fasteners may be used for improved tamper resistance.

COMPLIANCE & TESTING STANDARDS:

- Complies with ADA 4.19.4
- Complies with ASME A112.18.9
- IAPMO (UPC) Listed
- Complies with ICC/ANSI A117.1 section 606.6
- PVC material tested and complies to ASTM E-84 25 Flame Spread/450 Smoke Index

Product #	Description
82521	Supply and Valve cover - White
82522	P-Trap cover only - White
82523	Offset cover only - White
82524	P-Trap/1 valve - White
82525	P-Trap/2 valve covers - White
82527	P-Trap/2 valve covers & 1 offset cover - White



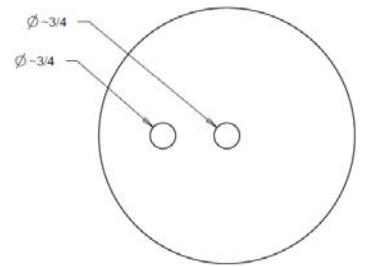
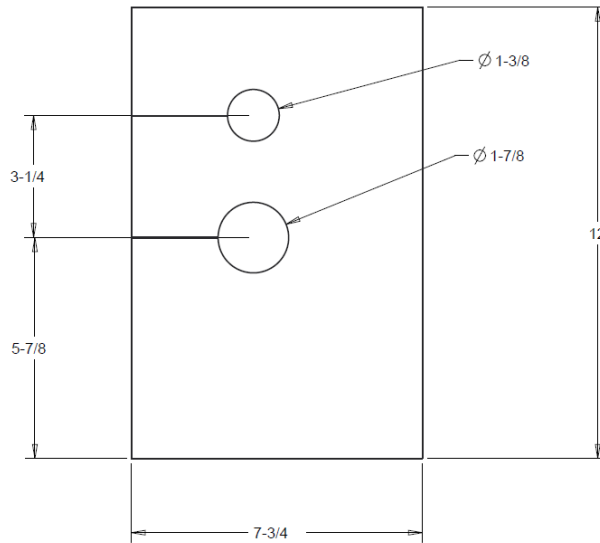
www.ipscorp.com watertite@ipscorp.com

500 Distribution Parkway, Collierville, TN 38017, USA ■ TEL: 901-853-5001 ■ WATS: 800-888-8312 ■ FAX: 901-853-5008





Soft Guard Plus™ Disposal Cover



Bottom View

SPECIFICATION

Install 1/8" pliable PVC Shell finish Soft Guard Plus Disposal Cover on kitchen sink disposal to comply with ADA, IBC, and UPC standards. Covers shall be secured by joining internal hook and loop fastening system. Furnished custom fit snap-to-lock fasteners may be used for improved tamper resistance. Fits Badger models 1 and 5.

COMPLIANCE & TESTING STANDARDS:

- Complies with ADA 4.19.4
- IAPMO (UPC) Listed
- Complies with ICC/ANSI A117.1 section 606.6
- PVC material tested and complies to ASTM E-84 25 Flame Spread/450 Smoke Index

Product #	Description	Case/Qty
82528	SoftGuard Plus Disposal Cover, White	1

