

Job: \_\_\_\_\_ Engineer: \_\_\_\_\_ Contractor: \_\_\_\_\_ Rep: \_\_\_\_\_

ITEM NO.	MODEL NO.	

### Features

- Front Diagnostic Lights
- Switchable Priority
- Built-in Priority Protection
- Simplified Wiring
- Premium Sealed Relays
- Compact Design
- Fuse Protected
- 100% Factory Tested
- Isolated End Switch
- Contractor Friendly PC Board Layout
- Universal Thermostat Compatibility
- 24 Volt Power Output
- for hard wired thermostats
- Field Replaceable Transformer
- Extended 3 Year Warranty

### Next Generation New Features

- Built-in; Post Purge and Pump Exercise Functions
- Switchable Primary Circulator Output
- Two Boiler Contacts, Utilizes Full Functionality of Mod-Con Boilers
- Expandable to 20 Zoning Panels (120 zones if all are six zone panels)
- Taco Control Mobile App (not Required for all functions)
- Wireless Update Capabilities
- Four Programmable Outputs
- DHW Recirculation Smartplus® Logic
- Diagnostic Lights for All Outputs
- Additional Space for Wiring
- More Space To Write Zone Information
- Easy to Remove Hinged Cover
- Rear Knockouts
- Standard Control Upgradeable to Reset Model
- Modbus Communication

### Additional Reset Model Features

- Indoor Reset Control (Load Reset)
- Outdoor Reset Control (Weather Compensation)

### Taco Control Mobile App

Whether you want to maximize the capabilities of the controller or use it as you always have, the Taco Control Bluetooth® mobile app allows for customization, maximizing comfort and efficiency to any system.

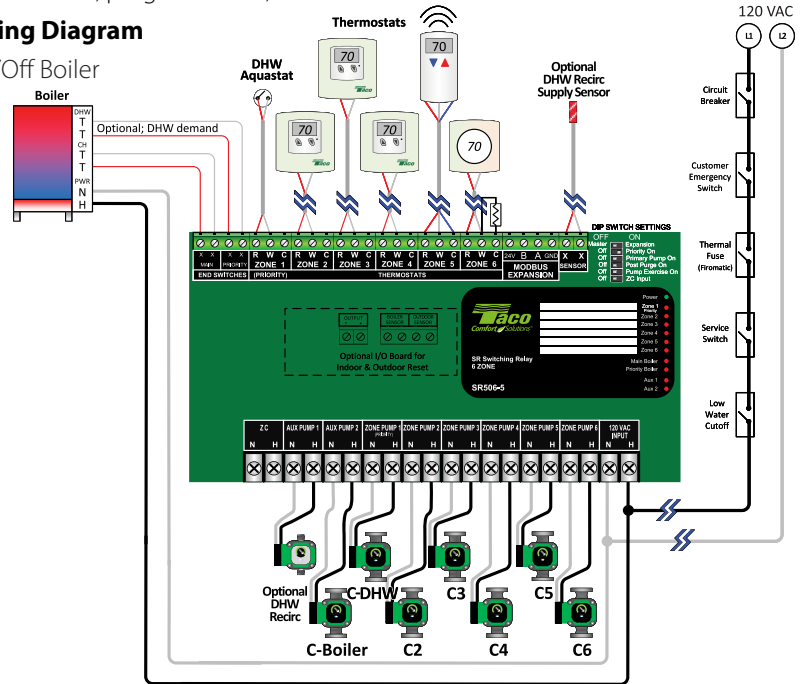
All trademarks, logos and brand names are the property of their respective owners. All company, product and service names used in this product catalog are for identification purposes only. Use of these names, trademarks and brands does not imply endorsement.

### Next Generation Switching Relays

Taco Switching Relays combine clearly labeled PC board layouts with advanced features that allow for total system customization. Whether using basic functionality, DIP switch features or the advanced features of the Taco Control mobile app the job is made easy. External indicator lights provide instant diagnostic feedback, making a snap of service calls or new installation start-ups. All switching relays are UL listed and compatible with conventional, programmable, and WIFI based thermostats.

### Wiring Diagram

ON/Off Boiler



### Next Generation Switching Relays

Product Number	Number of Zones	Transformer Voltage	Maximum Combined Load	Dimensions of Enclosure		
				Width	Height	Depth
SR501-5*	1 Zone	120 VAC Input	12 amps	5"	6-1/2"	2-3/8"
SR502-5	2 with Priority	120 VAC Input	15 amps	12-1/2"	8-1/2"	2-5/8"
SR503-5	3 with Priority	120 VAC Input	15 amps	12-1/2"	8-1/2"	2-5/8"
SR504-5	4 with Priority	120 VAC Input	20 amps	12-1/2"	8-1/2"	2-5/8"
SR506-5	6 with Priority	120 VAC Input	20 amps	12-1/2"	8-1/2"	2-5/8"

\*Basic functionality, most features N/A

### Next Generation Outdoor Reset Capable Switching Relays

Product Number	Number of Zones	PowerPort Slots	Power Control Plugs	Transformer Voltage	Maximum Combined Load	Dimensions of Enclosure		
						Width	Height	Depth
SR503-R-5	3 with Priority	3	1	120 VAC Input	15 amps	12-1/2"	8-1/2"	2-5/8"
SR504-R-5	4 with Priority	3	1	120 VAC Input	20 amps	12-1/2"	8-1/2"	2-5/8"
SR506-R-5	6 with Priority	3	1	120 VAC Input	20 amps	12-1/2"	8-1/2"	2-5/8"

All circulator relay connections, including AUX PUMP, are rated 1/6 HP at 120 VAC. End switch connections are rated 24 VAC, 1AMP. All thermostat connections supply a 24 VAC class 2 output.

