

TANK PACKAGES AND MANIFOLD KITS

Fully Pre-Assembled



A. SUMMARY	
Model:	WB-6
Part Number:	20-30040-1
Part Number:	1501-1054
Year:	2011
Part Number:	40 / 200 / 2.78
Part Number:	120 / 600 / 8.6
Part Number:	120 / 600 / 8.6
Part Number:	40 / 4 / 120 / 40
Part Number:	19.8 gal / 75.2 ltr

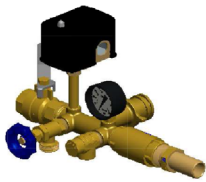
Tank Packages and Manifold Kits

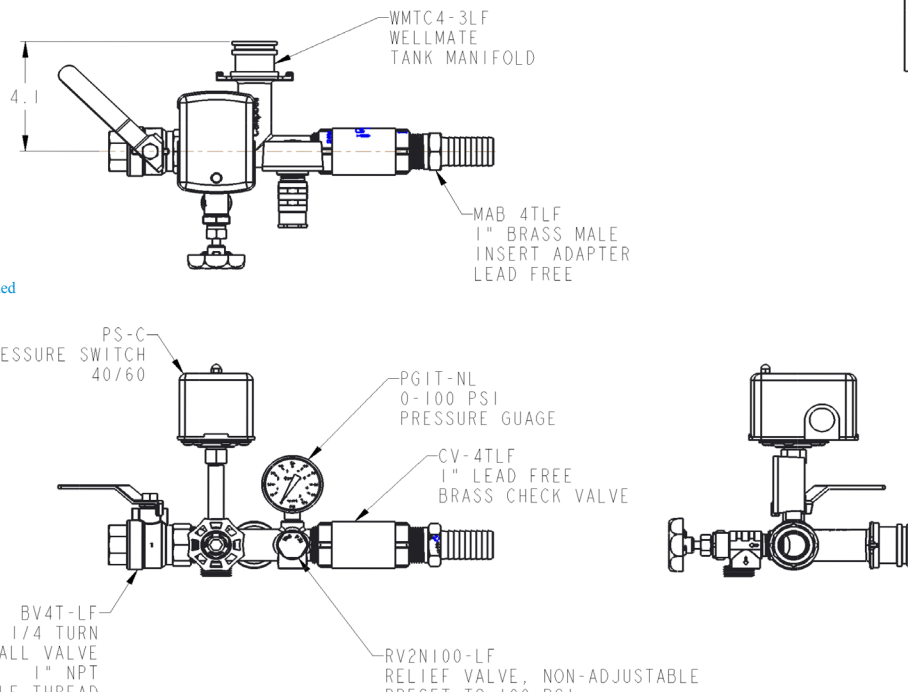
Right Hand WellMate Tank Tee Kit with Non-Liquid Pressure Gauge <i>TFPWTCLF-R</i>	2
Left Hand WellMate Tank Tee Kit with Non-Liquid Pressure Gauge <i>TFPWTCLF-L</i>	2
Right Hand Tank Tee Package - 1" Long Union <i>STC43URHKIT-1</i>	3
Left Hand Tank Tee Package - 1" Long Union <i>STC43ULHKIT-1</i>	3
Right Hand Tank Tee Package - 1" Long Union with Liquid Gauge <i>STC43URHKIT-3</i>	4
Left Hand Tank Tee Package - 1" Long Union with Liquid Gauge <i>STC43ULHKIT-3</i>	4
Right Hand Tank Tee Package - 1" Long Union 30/50 psi <i>STC43URHKIT-130</i>	5
Left Hand Tank Tee Package - 1" Long Union 30/50 psi <i>STC43ULHKIT-130</i>	5
Right Hand Tank Tee Package - 1" Short Union <i>STC43USRHKIT-1</i>	6
Left Hand Tank Tee Package - 1" Short Union <i>STC43USLHKIT-1</i>	6
Right Hand Tank Tee Package - 1" Short Union 30/50 psi <i>STC43USRHKIT-130</i>	7
Left Hand Tank Tee Package - 1" Short Union 30/50 psi <i>STC43USLHKIT-130</i>	7
Left Hand WellMate Tank Tee Kit with Liquid Filled Pressure Gauge <i>WMTCKIT</i>	8
Left Hand Tank Tee Package 1¼" Union with 8" Brass Nipple <i>UTC54BN8LHKIT-2</i>	8
Right Hand 1" Stainless Steel Constant Pressure Manifold Kit <i>TFPCPMSSWB-R</i>	9
Left Hand 1" Stainless Steel Constant Pressure Manifold Kit <i>TFPCPMSSWB</i>	9
Right Hand 1¼" Stainless Steel Constant Pressure Manifold Kit <i>TFPCPMSSWB-1-25-1</i>	10
Left Hand 1¼" Stainless Steel Constant Pressure Manifold Kit <i>TFPCPMSSWB-1-25</i>	10
Tank Package and Manifold Kit Options Stainless Steel	11
Tank Package and Manifold Kit Options Lead Free* Brass	12
Benefits of Using a Campbell Mfg., LLC. Tank Package and Manifold Kit	13

*Contains less than 0.25% lead as required by NSF/ANSI 372

Right Hand WellMate Tank Tee Kit with Non-Liquid Pressure Gauge

REV	DESCRIPTION	DATE
A	RELEASE TO CAMPBELL	5/3/13





DRAWING NUMBER
TFPWMTCLF-R

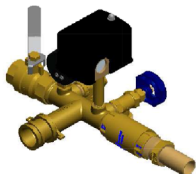
Component	Description
WMTC4-3LF	Lead Free* WellMate Tank Tee
CV-4TLF	1" Lead Free* Brass Check Valve
MAB 4TLF	1" Brass Male Adapter, Lead Free*
BN1/4X3	1/4" x 3" Lead Free* Brass Nipple
PS-C	40/60 Campbell Pressure Switch
PG1T-NL	2" Lead Free* 100 psi Dry Gauge 1/4" Male Threaded
RV2N100-LF	1/2" Lead Free* Brass Relief Valve
BD2-LF	1/2" Lead Free* Brass Boiler Drain
BV4T-LF	1" Lead Free* Brass Ball Valve

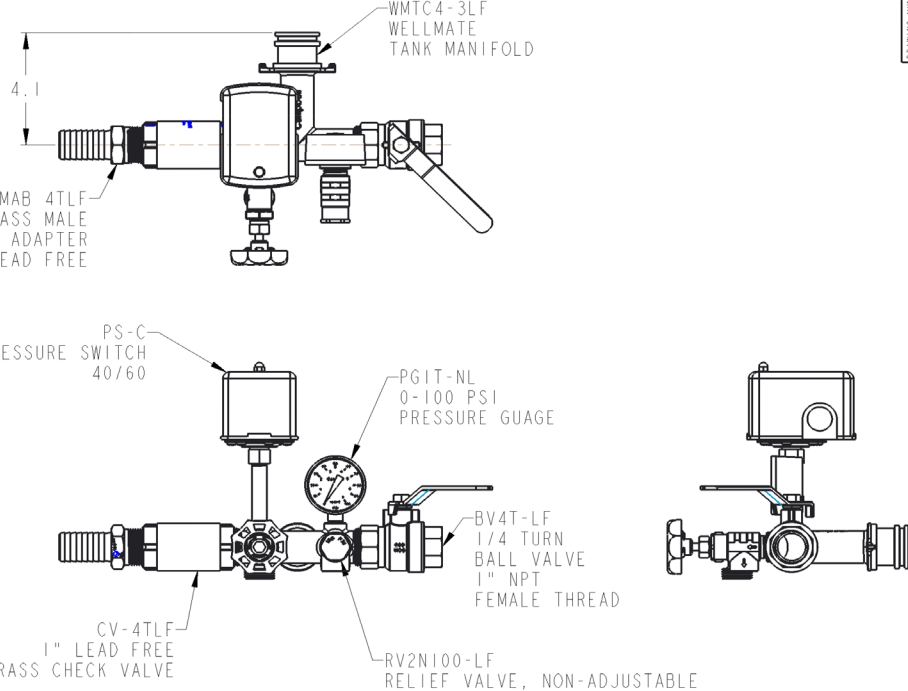
<p>BN1/4X3 1/4" BRASS PIPE NIPPLE 3.00" LONG</p>	<p>PS-C PRESSURE SWITCH 40/60</p>	<p>PG1T-NL 0-100 PSI PRESSURE GAUGE</p>
<p>BD2-LF 1/2" LEAD FREE BRASS BOILER DRAIN</p>	<p>BV4T-LF 1/4 TURN BALL VALVE 1" NPT FEMALE THREAD</p>	<p>CV-4TLF 1" LEAD FREE BRASS CHECK VALVE</p>
		<p>RV2N100-LF RELIEF VALVE, NON-ADJUSTABLE PRESET TO 100 PSI</p>

	This information is confidential to Baker Manufacturing LLC (Baker). It can not be disclosed to others without the written consent of Baker.		TOL. UNLESS OTHERWISE SPECIFIED:	DRN BY: AND	DATE: 5/3/13	TITLE: TFPWMTCLF-R ASSEMBLY KIT	DRAWING NUMBER: TFPWMTCLF-R
	CHK'D BY:		APPR'D BY:	SCALE: N.T.S.	REMOVE ALL BURRS AND SHARP EDGES		

Left Hand WellMate Tank Tee Kit with Non-Liquid Pressure Gauge

REV	DESCRIPTION	DATE
A	RELEASE TO CAMPBELL	4/11/13





DRAWING NUMBER
TFPWMTCLF-L

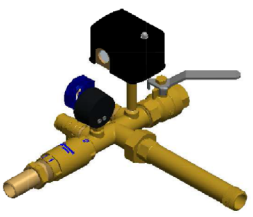
Component	Description
WMTC4-3LF	Lead Free* WellMate Tank Tee
CV-4TLF	1" Lead Free* Brass Check Valve
MAB 4TLF	1" Brass Male Adapter, Lead Free*
BN1/4X3	1/4" x 3" Lead Free* Brass Nipple
PS-C	40/60 Campbell Pressure Switch
PG1T-NL	2" Lead Free* 100 psi Dry Gauge 1/4" Male Threaded
RV2N100-LF	1/2" Lead Free* Brass Relief Valve
BD2-LF	1/2" Lead Free* Brass Boiler Drain
BV4T-LF	1" Lead Free* Brass Ball Valve

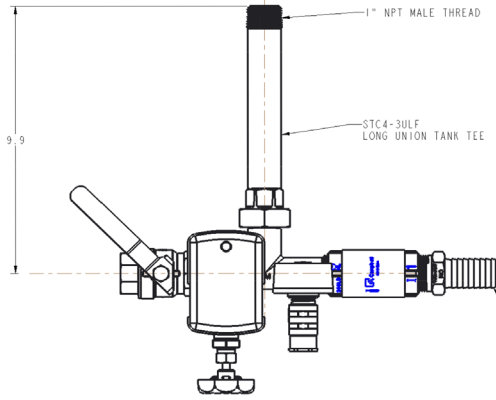
<p>BN1/4X3 1/4" BRASS PIPE NIPPLE 3.00" LONG</p>	<p>PS-C PRESSURE SWITCH 40/60</p>	<p>PG1T-NL 0-100 PSI PRESSURE GAUGE</p>
<p>BD2-LF 1/2" LEAD FREE BRASS BOILER DRAIN</p>	<p>BV4T-LF 1/4 TURN BALL VALVE 1" NPT FEMALE THREAD</p>	<p>CV-4TLF 1" LEAD FREE BRASS CHECK VALVE</p>
		<p>RV2N100-LF RELIEF VALVE, NON-ADJUSTABLE PRESET TO 100 PSI</p>

	This information is confidential to Baker Manufacturing LLC (Baker). It can not be disclosed to others without the written consent of Baker.		TOL. UNLESS OTHERWISE SPECIFIED:	DRN BY: AND	DATE: 4/11/13	TITLE: TFPWMTCLF-L ASSEMBLY KIT	DRAWING NUMBER: TFPWMTCLF-L
	CHK'D BY:		APPR'D BY:	SCALE: N.T.S.	REMOVE ALL BURRS AND SHARP EDGES		

Right Hand Tank Tee Package - 1" Long Union

	REV	DESCRIPTION	DATE	
A		RELEASE TO CAMPBELL	6/12/13	DRAWING NUMBER STC43URHKIT-1





1" NPT MALE THREAD

STC4-3ULF LONG UNION TANK TEE

9.9

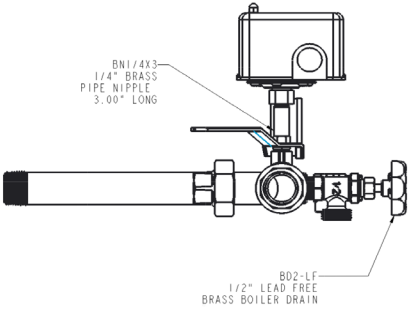
MAB 4TLF 1" NPT HOSE BARB

Component

STC4-3ULF
CV-4TLF
MAB 4TLF
BN1/4X3
PS-C
PG1T-NL
RV2N100-LF
BD2-LF
BV4T-LF

Description

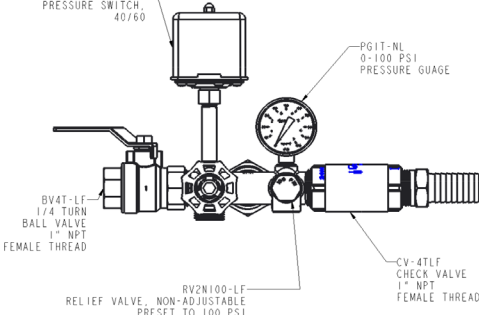
1" Long Union Tank Tee, Lead Free*
1" Brass Check Valve, Lead Free*
1" Brass Male Adapter, Lead Free*
1/4" x 3" Brass Nipple, Lead Free*
40/60 Campbell Pressure Switch
2" 100 psi Dry Gauge 1/4" Male Threaded, Lead Free*
1/2" 100 psi Relief Valve Econ, Lead Free*
1/2" Boiler Drain, Lead Free*
1" Ball Valve Threaded, Lead Free*



BN1/4X3 1/4" BRASS PIPE NIPPLE 3.00" LONG

BV4T-LF 1/4 TURN BALL VALVE 1" NPT FEMALE THREAD

BD2-LF 1/2" LEAD FREE BRASS BOILER DRAIN

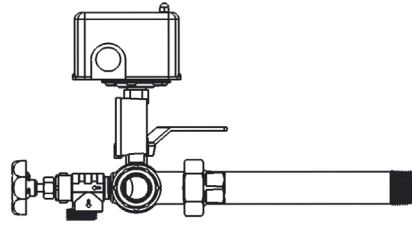


PS-C PRESSURE SWITCH 40/60

PG1T-NL 0-100 PSI PRESSURE GAUGE

RV2N100-LF RELIEF VALVE, NON-ADJUSTABLE PRESET TO 100 PSI

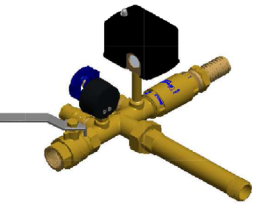
CV-4TLF CHECK VALVE 1" NPT FEMALE THREAD

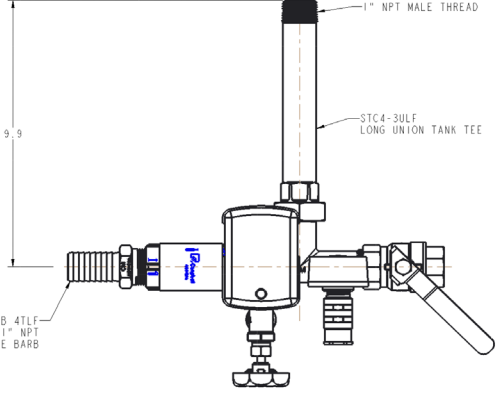


	This information is confidential to Baker Manufacturing LLC (Baker). It can not be disclosed to others without the written consent of Baker. CHECK'D BY: _____ APPROV'D BY: _____		TOL. UNLESS OTHERWISE SPECIFIED: DRAWN BY: AND DATE: 6/12/13 SCALE: REMOVE ALL BURRS AND SHARP EDGES N. T. S.	TITLE: STC4-3U-RH-LF-1 ASSEMBLY KIT	DRAWING NUMBER: STC43URHKIT-1
--	--	--	---	-------------------------------------	-------------------------------

Left Hand Tank Tee Package - 1" Long Union

	REV	DESCRIPTION	DATE	
A		RELEASE TO CAMPBELL	4/11/13	DRAWING NUMBER STC43ULHKIT-1





1" NPT MALE THREAD

STC4-3ULF LONG UNION TANK TEE

9.9

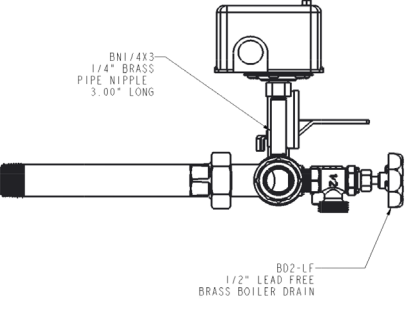
MAB 4TLF 1" NPT HOSE BARB

Component

STC4-3ULF
CV-4TLF
MAB 4TLF
BN1/4X3
PS-C
PG1T-NL
RV2N100-LF
BD2-LF
BV4T-LF

Description

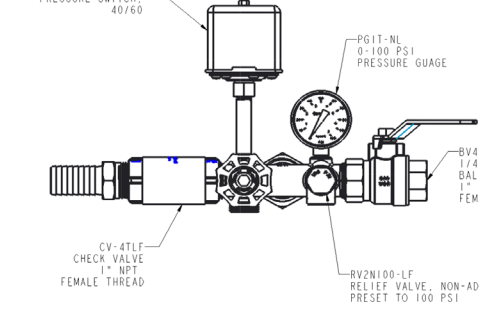
1" Long Union Tank Tee, Lead Free*
1" Brass Check Valve, Lead Free*
1" Brass Male Adapter, Lead Free*
1/4" x 3" Brass Nipple, Lead Free*
40/60 Campbell Pressure Switch
2" 100 psi Dry Gauge, 1/4" Male Threaded, Lead Free*
1/2" 100 psi Relief Valve Econ, Lead Free*
1/2" Boiler Drain, Lead Free*
1" Ball Valve Threaded, Lead Free*



BN1/4X3 1/4" BRASS PIPE NIPPLE 3.00" LONG

BV4T-LF 1/4 TURN BALL VALVE 1" NPT FEMALE THREAD

BD2-LF 1/2" LEAD FREE BRASS BOILER DRAIN

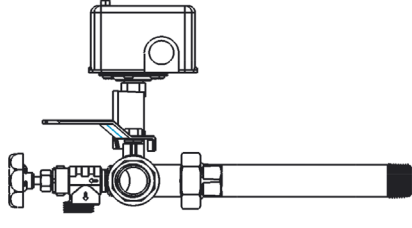


PS-C PRESSURE SWITCH 40/60

PG1T-NL 0-100 PSI PRESSURE GAUGE

RV2N100-LF RELIEF VALVE, NON-ADJUSTABLE PRESET TO 100 PSI

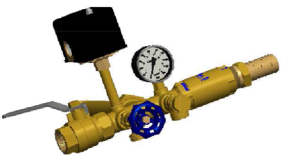
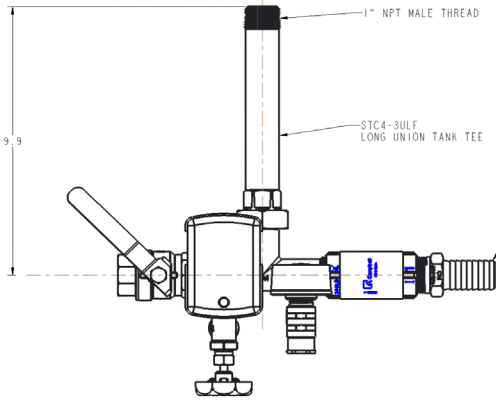

CV-4TLF CHECK VALVE 1" NPT FEMALE THREAD



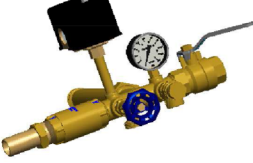
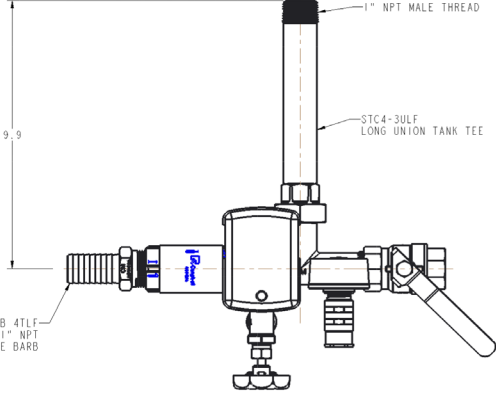

	This information is confidential to Baker Manufacturing LLC (Baker). It can not be disclosed to others without the written consent of Baker. CHECK'D BY: _____ APPROV'D BY: _____		TOL. UNLESS OTHERWISE SPECIFIED: DRAWN BY: AND DATE: 4/11/13 SCALE: REMOVE ALL BURRS AND SHARP EDGES N. T. S.	TITLE: STC4-3U-LH-LF-1 ASSEMBLY KIT	DRAWING NUMBER: STC43ULHKIT-1
--	--	--	---	-------------------------------------	-------------------------------

*Contains less than 0.25% lead as required by NSF/ANSI 372

Right Hand Tank Tee Package - 1" Long Union with Liquid Gauge

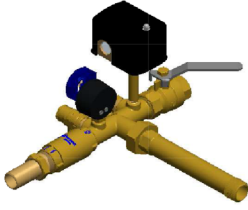
<p>PART NUMBER: STC43URHKIT-3</p>   <p>1" NPT MALE THREAD</p> <p>STC4-3ULF LONG UNION TANK TEE</p> <p>9.9</p> <p>MAB 4TLF 1" NPT HOSE BARB</p> <p>PS-C PRESSURE SWITCH 40/60</p> <p>PG1T-L-NL 0-100 PSI LIQUID FILLED PRESSURE GAUGE</p> <p>CV-4TLF CHECK VALVE 1" NPT FEMALE THREAD</p> <p>BV4T-LF 1/4 TURN BALL VALVE 1" NPT FEMALE THREAD</p> <p>RV2N100-LF RELIEF VALVE, NON-ADJUSTABLE PRESET TO 100 PSI</p> <p>BN1/4X3 1/4" BRASS PIPE NIPPLE 3.00" LONG</p> <p>B02-LF 1/2" LEAD FREE BRASS BOILER DRAIN</p>	<table border="1" style="width: 100%; border-collapse: collapse;"> <tr> <th>REV</th> <th>DESCRIPTION</th> <th>DATE</th> </tr> <tr> <td>A</td> <td>RELEASE TO PRODUCTION</td> <td>4/8/14</td> </tr> </table>	REV	DESCRIPTION	DATE	A	RELEASE TO PRODUCTION	4/8/14	<p style="writing-mode: vertical-rl; transform: rotate(180deg);">DRAWING NUMBER STC43URHKIT-3</p>
REV	DESCRIPTION	DATE						
A	RELEASE TO PRODUCTION	4/8/14						
<p>Component</p> <p>STC4-3ULF 1" Long Union Tank Tee, Lead Free*</p> <p>CV-4TLF 1" Brass Check Valve, Lead Free*</p> <p>MAB 4TLF 1" Brass Male Adapter, Lead Free*</p> <p>BN1/4X3 1/4" x 3" Brass Nipple, Lead Free*</p> <p>PS-C 40/60 Campbell Pressure Switch</p> <p>PG1T-L-NL 2" Gauge 100 psi, 1/4" Male Threaded Liquid Filled, Lead Free*</p> <p>RV2N100-LF 1/2" 100 psi Relief Valve Econ, Lead Free*</p> <p>BD2-LF 1/2" Boiler Drain, Lead Free*</p> <p>BV4T-LF 1" Ball Valve Threaded, Lead Free*</p>		<p>Description</p> <p>1" Long Union Tank Tee, Lead Free*</p> <p>1" Brass Check Valve, Lead Free*</p> <p>1" Brass Male Adapter, Lead Free*</p> <p>1/4" x 3" Brass Nipple, Lead Free*</p> <p>40/60 Campbell Pressure Switch</p> <p>2" Gauge 100 psi, 1/4" Male Threaded Liquid Filled, Lead Free*</p> <p>1/2" 100 psi Relief Valve Econ, Lead Free*</p> <p>1/2" Boiler Drain, Lead Free*</p> <p>1" Ball Valve Threaded, Lead Free*</p>						
 <p><small>This information is confidential to Baker Manufacturing LLC (Baker). It can not be disclosed to others without the written consent of Baker.</small></p> <p>ASME Y14.5M</p> <p>TOL. UNLESS OTHERWISE SPECIFIED: ±.06</p> <p>DRWN BY: JO</p> <p>DATE: 4/8/14</p> <p>SCALE: REMOVE ALL BURRS AND SHARP EDGES</p> <p>N. T. S.</p>		<p>TITLE: STC4-3U-RH-LF-3 ASSEMBLY KIT</p> <p>DRAWING NUMBER: STC43URHKIT-3</p>						

Left Hand Tank Tee Package - 1" Long Union with Liquid Gauge

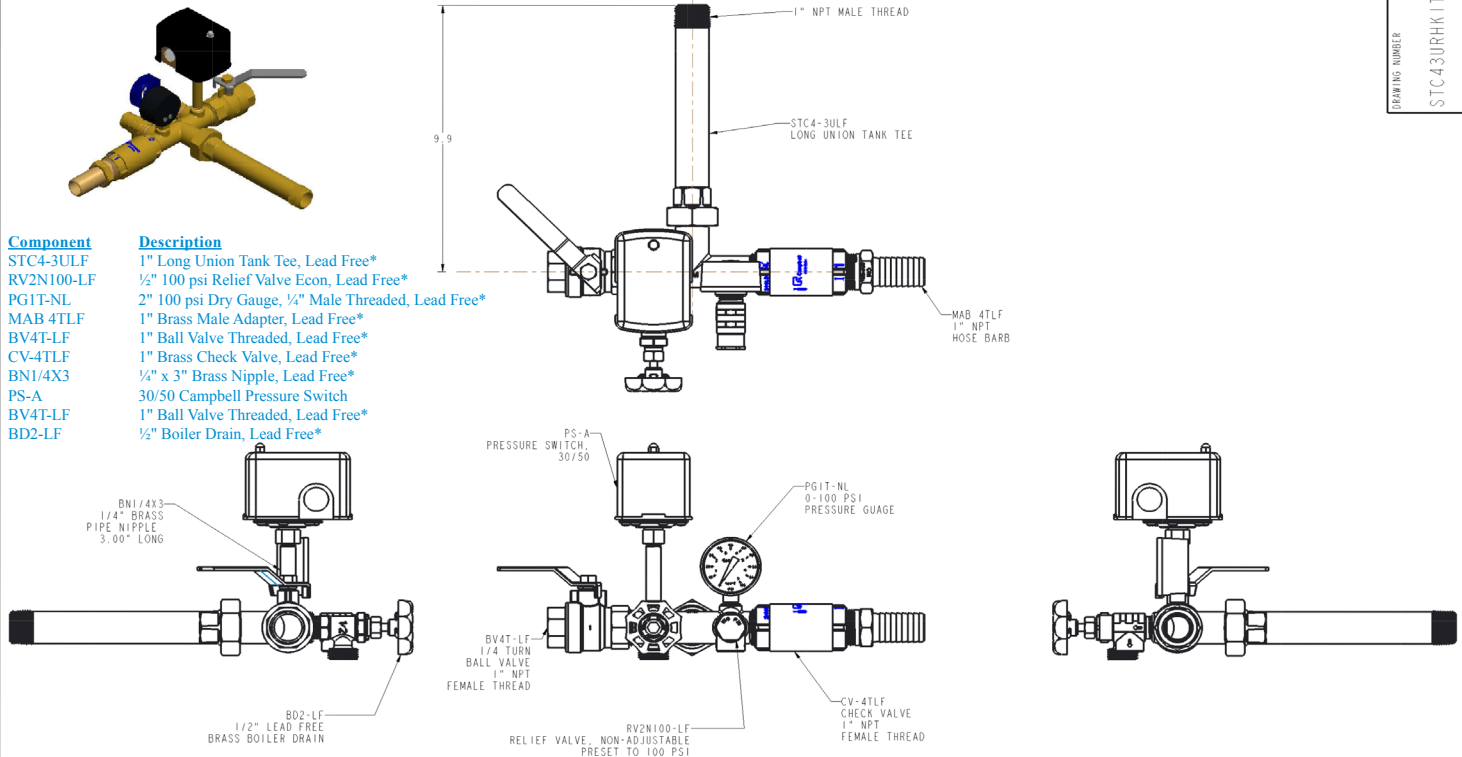
<p>PART NUMBER: STC43ULHKIT-3</p>   <p>1" NPT MALE THREAD</p> <p>STC4-3ULF LONG UNION TANK TEE</p> <p>9.9</p> <p>MAB 4TLF 1" NPT HOSE BARB</p> <p>PS-C PRESSURE SWITCH 40/60</p> <p>PG1T-L-NL 0-100 PSI LIQUID FILLED PRESSURE GAUGE</p> <p>CV-4TLF CHECK VALVE 1" NPT FEMALE THREAD</p> <p>BV4T-LF 1/4 TURN BALL VALVE 1" NPT FEMALE THREAD</p> <p>RV2N100-LF RELIEF VALVE, NON-ADJUSTABLE PRESET TO 100 PSI</p> <p>BN1/4X3 1/4" BRASS PIPE NIPPLE 3.00" LONG</p> <p>B02-LF 1/2" LEAD FREE BRASS BOILER DRAIN</p>	<table border="1" style="width: 100%; border-collapse: collapse;"> <tr> <th>REV</th> <th>DESCRIPTION</th> <th>DATE</th> </tr> <tr> <td>PT</td> <td>PROPOSAL DRAWING</td> <td>9/12/13</td> </tr> </table>	REV	DESCRIPTION	DATE	PT	PROPOSAL DRAWING	9/12/13	<p style="writing-mode: vertical-rl; transform: rotate(180deg);">DRAWING NUMBER STC43ULHKIT-3</p>
REV	DESCRIPTION	DATE						
PT	PROPOSAL DRAWING	9/12/13						
<p>Component</p> <p>STC4-3ULF 1" Long Union Tank Tee, Lead Free*</p> <p>CV-4TLF 1" Brass Check Valve, Lead Free*</p> <p>MAB 4TLF 1" Brass Male Adapter, Lead Free*</p> <p>BN1/4X3 1/4" x 3" Brass Nipple, Lead Free*</p> <p>PS-C 40/60 Campbell Pressure Switch</p> <p>PG1T-L-NL 2" Gauge 100 psi, 1/4" Male Threaded Liquid Filled, Lead Free*</p> <p>RV2N100-LF 1/2" 100 psi Relief Valve, Lead Free*</p> <p>BD2-LF 1/2" Boiler Drain, Lead Free*</p> <p>BV4T-LF 1" Ball Valve Threaded, Lead Free*</p>		<p>Description</p> <p>1" Long Union Tank Tee, Lead Free*</p> <p>1" Brass Check Valve, Lead Free*</p> <p>1" Brass Male Adapter, Lead Free*</p> <p>1/4" x 3" Brass Nipple, Lead Free*</p> <p>40/60 Campbell Pressure Switch</p> <p>2" Gauge 100 psi, 1/4" Male Threaded Liquid Filled, Lead Free*</p> <p>1/2" 100 psi Relief Valve, Lead Free*</p> <p>1/2" Boiler Drain, Lead Free*</p> <p>1" Ball Valve Threaded, Lead Free*</p>						
 <p><small>This information is confidential to Baker Manufacturing LLC (Baker). It can not be disclosed to others without the written consent of Baker.</small></p> <p>ASME Y14.5M</p> <p>TOL. UNLESS OTHERWISE SPECIFIED: ±.06</p> <p>DRWN BY: AND</p> <p>DATE: 9/12/13</p> <p>SCALE: REMOVE ALL BURRS AND SHARP EDGES</p> <p>N. T. S.</p>		<p>TITLE: STC4-3U-LH-LF-3 ASSEMBLY KIT</p> <p>DRAWING NUMBER: STC43ULHKIT-3</p>						



Right Hand Tank Tee Package - 1" Long Union 30/50 psi

	REV A	DESCRIPTION RELEASE TO CAMPBELL	DATE 7/15/13	DRAWING NUMBER STC43URHKIT-130



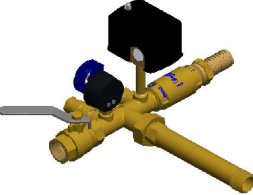
Component	Description
STC4-3ULF	1" Long Union Tank Tee, Lead Free*
RV2N100-LF	1/2" 100 psi Relief Valve Econ, Lead Free*
PG1T-NL	2" 100 psi Dry Gauge, 1/4" Male Threaded, Lead Free*
MAB 4TLF	1" Brass Male Adapter, Lead Free*
BV4T-LF	1" Ball Valve Threaded, Lead Free*
CV-4TLF	1" Brass Check Valve, Lead Free*
BN1/4X3	1/4" x 3" Brass Nipple, Lead Free*
PS-A	30/50 Campbell Pressure Switch
BV4T-LF	1" Ball Valve Threaded, Lead Free*
BD2-LF	1/2" Boiler Drain, Lead Free*



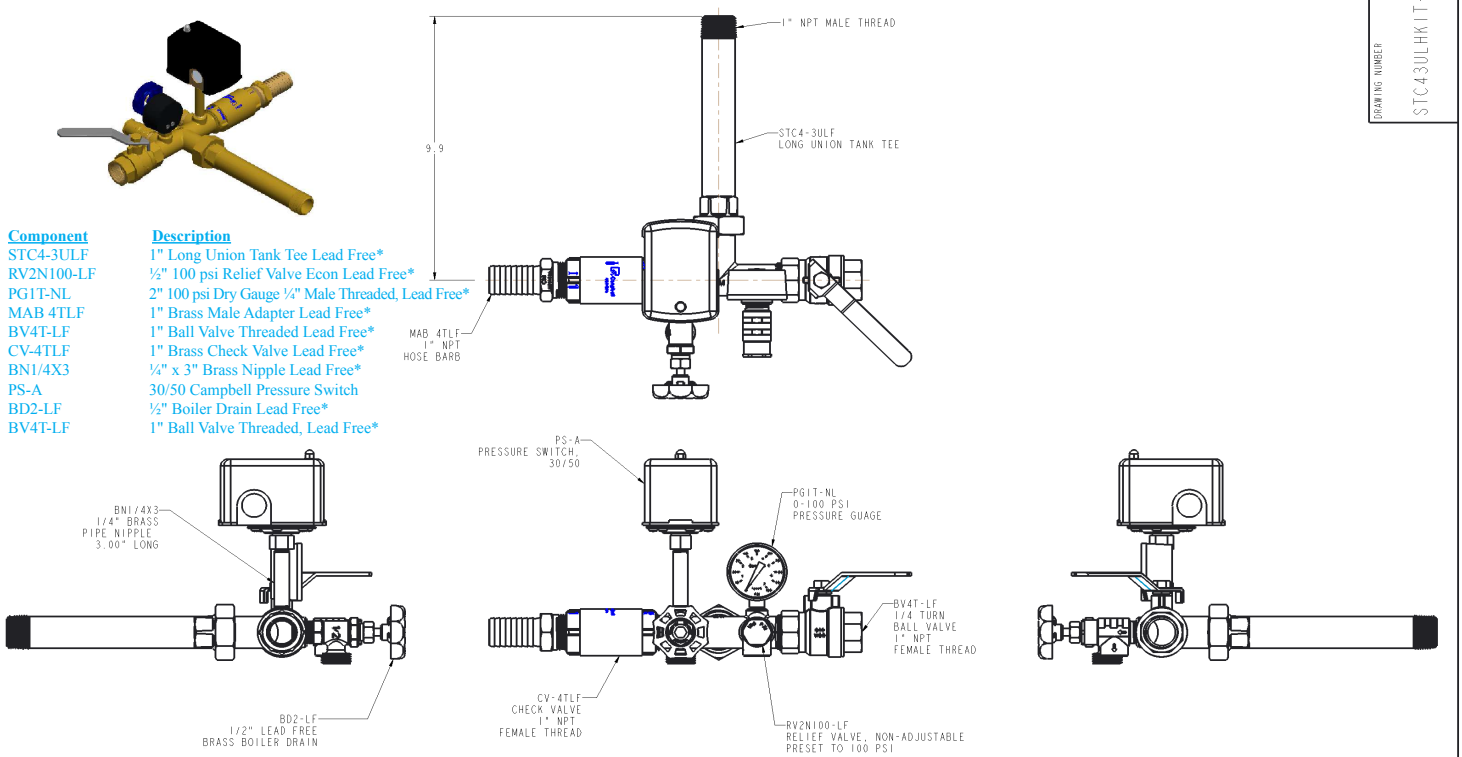
	THIS INFORMATION IS CONFIDENTIAL TO Baker Manufacturing LLC. It can not be disclosed to others without the written consent of Baker. CHECK'D BY: _____ APPROV'D BY: _____	 ASME Y14.5M	TOL. UNLESS OTHERWISE SPECIFIED: DRWN BY: AND DATE: 7/15/13 SCALE: N.T.S.	TITLE: STC4-3U-RH-LF-130 ASSEMBLY KIT	DRAWING NUMBER: STC43URHKIT-130
--	--	--	--	---	------------------------------------



Left Hand Tank Tee Package - 1" Long Union 30/50 psi

	REV A	DESCRIPTION RELEASE TO CAMPBELL	DATE 7/15/13	DRAWING NUMBER STC43ULHKIT-130



Component	Description
STC4-3ULF	1" Long Union Tank Tee Lead Free*
RV2N100-LF	1/2" 100 psi Relief Valve Econ Lead Free*
PG1T-NL	2" 100 psi Dry Gauge 1/4" Male Threaded, Lead Free*
MAB 4TLF	1" Brass Male Adapter Lead Free*
BV4T-LF	1" Ball Valve Threaded Lead Free*
CV-4TLF	1" Brass Check Valve Lead Free*
BN1/4X3	1/4" x 3" Brass Nipple Lead Free*
PS-A	30/50 Campbell Pressure Switch
BD2-LF	1/2" Boiler Drain Lead Free*
BV4T-LF	1" Ball Valve Threaded, Lead Free*



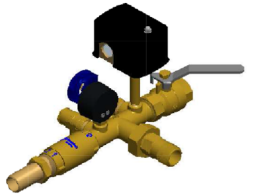
	THIS INFORMATION IS CONFIDENTIAL TO Baker Manufacturing LLC. It can not be disclosed to others without the written consent of Baker. CHECK'D BY: _____ APPROV'D BY: _____	 ASME Y14.5M	TOL. UNLESS OTHERWISE SPECIFIED: DRWN BY: AND DATE: 7/15/13 SCALE: N.T.S.	TITLE: STC4-3U-LH-LF-130 ASSEMBLY KIT	DRAWING NUMBER: STC43ULHKIT-130
---	--	---	--	---	------------------------------------

*Contains less than 0.25% lead as required by NSF/ANSI 372

Right Hand Tank Tee Package - 1" Short Union

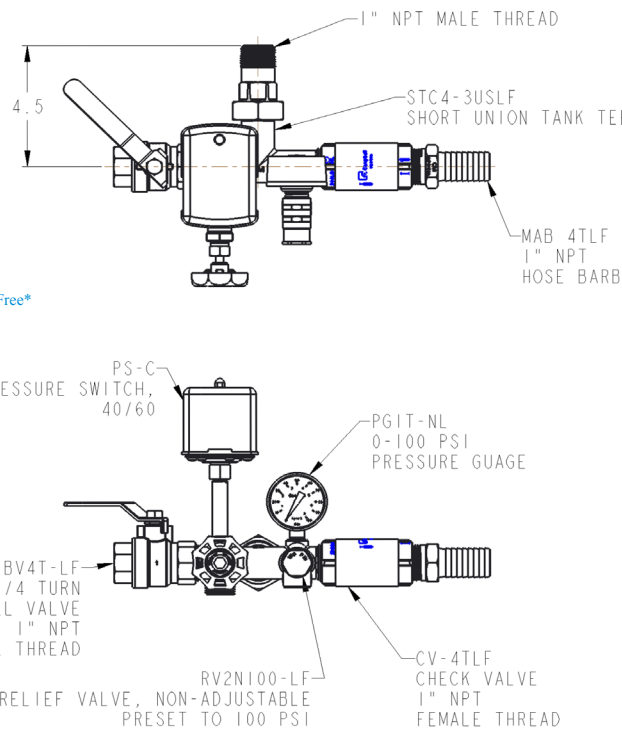
REV	DESCRIPTION	DATE
A	RELEASE TO CAMPBELL	6/12/13

DRAWING NUMBER: STC43USRHKIT-1



Component
 STC4-3USLF
 CV-4TLF
 MAB 4TLF
 BNI/4X3
 PS-C
 PGIT-NL
 RV2N100-LF
 BD2-LF
 BV4T-LF

Description
 1" Short Union Tank Tee, Lead Free*
 1" Brass Check Valve, Lead Free*
 1" Brass Male Adapter, Lead Free*
 1/4" x 3" Brass Nipple, Lead Free*
 40/60 Campbell Pressure Switch
 2" 100 psi Dry Gauge, 1/4" Male Threaded, Lead Free*
 1/2" 100 psi Relief Valve Econ, Lead Free*
 1/2" Boiler Drain, Lead Free*
 1" Ball Valve Threaded, Lead Free*



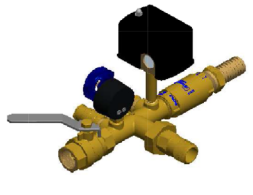
1" NPT MALE THREAD
 4.5
 STC4-3USLF SHORT UNION TANK TEE
 MAB 4TLF 1" NPT HOSE BARB
 PS-C PRESSURE SWITCH, 40/60
 PGIT-NL 0-100 PSI PRESSURE GAUGE
 BV4T-LF 1/4 TURN BALL VALVE 1" NPT FEMALE THREAD
 RV2N100-LF RELIEF VALVE, NON-ADJUSTABLE PRESET TO 100 PSI
 CV-4TLF CHECK VALVE 1" NPT FEMALE THREAD
 BNI/4X3 1/4" BRASS PIPE NIPPLE 3.00" LONG
 BD2-LF 1/2" LEAD FREE BRASS BOILER DRAIN

	THIS INFORMATION IS CONFIDENTIAL TO Baker Manufacturing LLC (Baker). It is not to be disclosed to others without the written consent of Baker.		TOL. UNLESS OTHERWISE SPECIFIED:	DRAWN BY: AND	DATE: 6/12/13	TITLE: STC4-3US-RH-LF ASSEMBLY KIT	DRAWING NUMBER: STC43USRHKIT-1
	CHECK'D BY: APPROV'D BY:	SCALE: N.T.S.	REMOVE ALL BURRS AND SHARP EDGES				

Left Hand Tank Tee Package - 1" Short Union

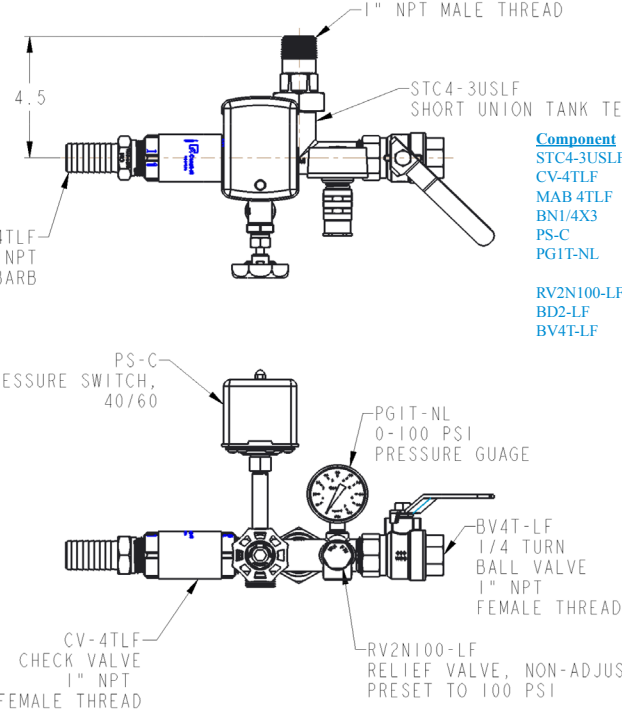
REV	DESCRIPTION	DATE
P1	PROPOSAL DRAWING	5/14/13
P2	CHANGED FROM PGIT-NL-NL GAUGE	5/16/13
P3	CHANGED RELIEF VALVE FROM RV2-LF AND HOSE BIBB FROM HBBV2-LF	6/12/13

DRAWING NUMBER: STC43USLHKIT-1



Component
 STC4-3USLF
 CV-4TLF
 MAB 4TLF
 BNI/4X3
 PS-C
 PGIT-NL
 RV2N100-LF
 BD2-LF
 BV4T-LF

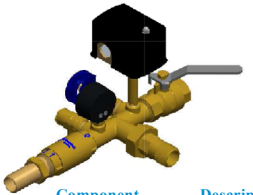
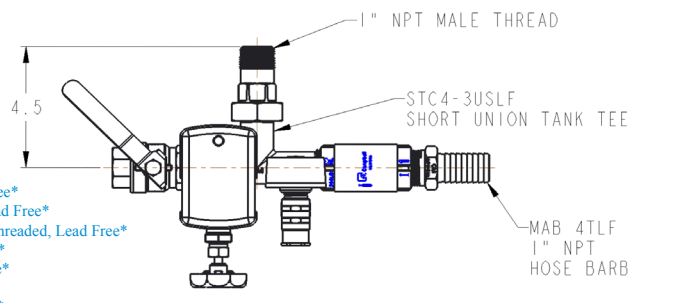
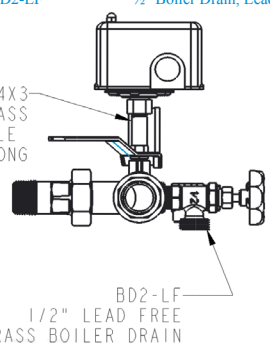
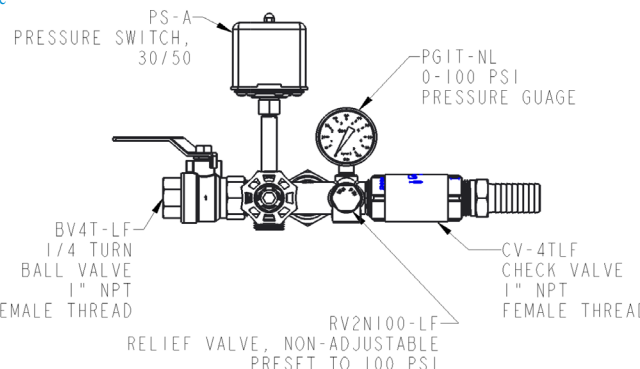
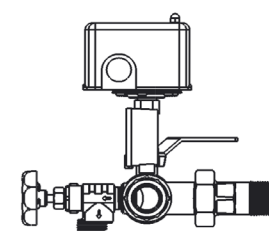

Description
 1" Short Union Tank Tee, Lead Free*
 1" Brass Check Valve, Lead Free*
 1" Brass Male Adapter, Lead Free*
 1/4" x 3" Brass Nipple, Lead Free*
 40/60 Campbell Pressure Switch
 2" 100 psi Dry Gauge, 1/4" Male Threaded, Lead Free*
 1/2" 100 psi Relief Valve Econ, Lead Free*
 1/2" Boiler Drain, Lead Free*
 1" Ball Valve Threaded, Lead Free*



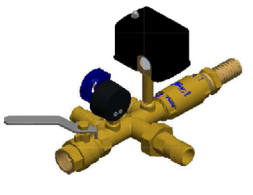
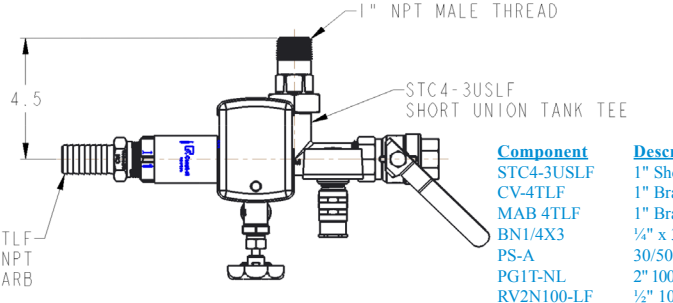
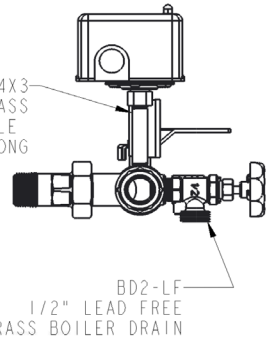
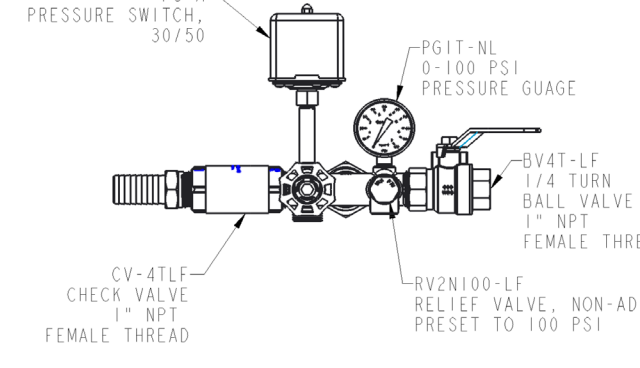
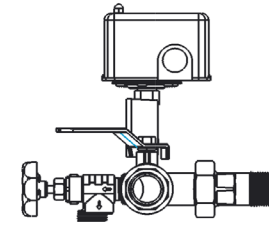

1" NPT MALE THREAD
 4.5
 STC4-3USLF SHORT UNION TANK TEE
 MAB 4TLF 1" NPT HOSE BARB
 PS-C PRESSURE SWITCH, 40/60
 PGIT-NL 0-100 PSI PRESSURE GAUGE
 BV4T-LF 1/4 TURN BALL VALVE 1" NPT FEMALE THREAD
 RV2N100-LF RELIEF VALVE, NON-ADJUSTABLE PRESET TO 100 PSI
 CV-4TLF CHECK VALVE 1" NPT FEMALE THREAD
 BNI/4X3 1/4" BRASS PIPE NIPPLE 3.00" LONG
 BD2-LF 1/2" LEAD FREE BRASS BOILER DRAIN

	THIS INFORMATION IS CONFIDENTIAL TO Baker Manufacturing LLC (Baker). It is not to be disclosed to others without the written consent of Baker.		TOL. UNLESS OTHERWISE SPECIFIED:	DRAWN BY: AND	DATE: 5/14/13	TITLE: STC4-3US-LH-LF ASSEMBLY KIT	DRAWING NUMBER: STC43USLHKIT-1
	CHECK'D BY: APPROV'D BY:	SCALE: N.T.S.	REMOVE ALL BURRS AND SHARP EDGES				

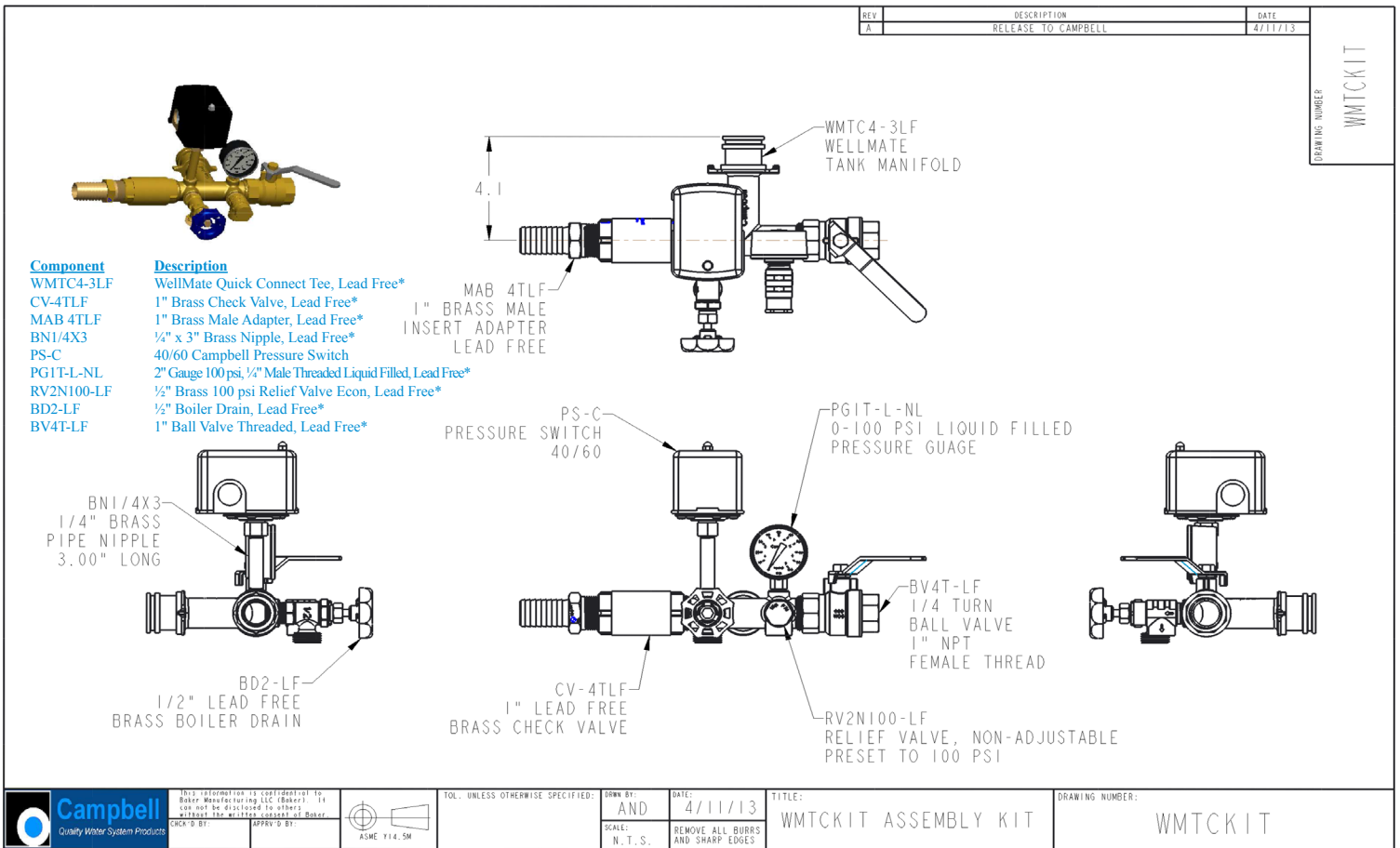
Right Hand Tank Tee Package - 1" Short Union 30/50 psi

	REV: A DESCRIPTION: RELEASE TO CAMPBELL DATE: 11/12/13	DRAWING NUMBER: STC43USRHKIT-130
 <p>Component STC4-3USLF RV2N100-LF PG1T-NL MAB 4TLF BV4T-LF CV-4TLF BN1/4X3 PS-A BV4T-LF BD2-LF</p> <p>Description 1" Long Union Tank Tee, Lead Free* 1/2" 100 psi Relief Valve Econ, Lead Free* 2" 100 psi Dry Gauge, 1/4" Male Threaded, Lead Free* 1" Brass Male Adapter, Lead Free* 1" Ball Valve Threaded, Lead Free* 1" Brass Check Valve, Lead Free* 1/4" x 3" Brass Nipple, Lead Free* 30/50 Campbell Pressure Switch 1" Ball Valve Threaded, Lead Free* 1/2" Boiler Drain, Lead Free*</p>	 <p>1" NPT MALE THREAD</p> <p>4.5</p> <p>STC4-3USLF SHORT UNION TANK TEE</p> <p>MAB 4TLF 1" NPT HOSE BARB</p>	
 <p>BN1/4X3 1/4" BRASS PIPE NIPPLE 3.00" LONG</p> <p>BD2-LF 1/2" LEAD FREE BRASS BOILER DRAIN</p>	 <p>PS-A PRESSURE SWITCH, 30/50</p> <p>PG1T-NL 0-100 PSI PRESSURE GAUGE</p> <p>BV4T-LF 1/4 TURN BALL VALVE 1" NPT FEMALE THREAD</p> <p>RV2N100-LF RELIEF VALVE, NON-ADJUSTABLE PRESET TO 100 PSI</p> <p>CV-4TLF CHECK VALVE 1" NPT FEMALE THREAD</p>	
 <p>Campbell Quality Water System Products</p>	This information is confidential to Baker Manufacturing LLC (Baker). It can not be disclosed to others without the written consent of Baker. TOL. UNLESS OTHERWISE SPECIFIED: DRAWN BY: AND DATE: 11/12/13 TITLE: STC4-3US-RH-LF ASSEMBLY KIT SCALE: N. T. S. REMOVE ALL BURRS AND SHARP EDGES	DRAWING NUMBER: STC43USRHKIT-130

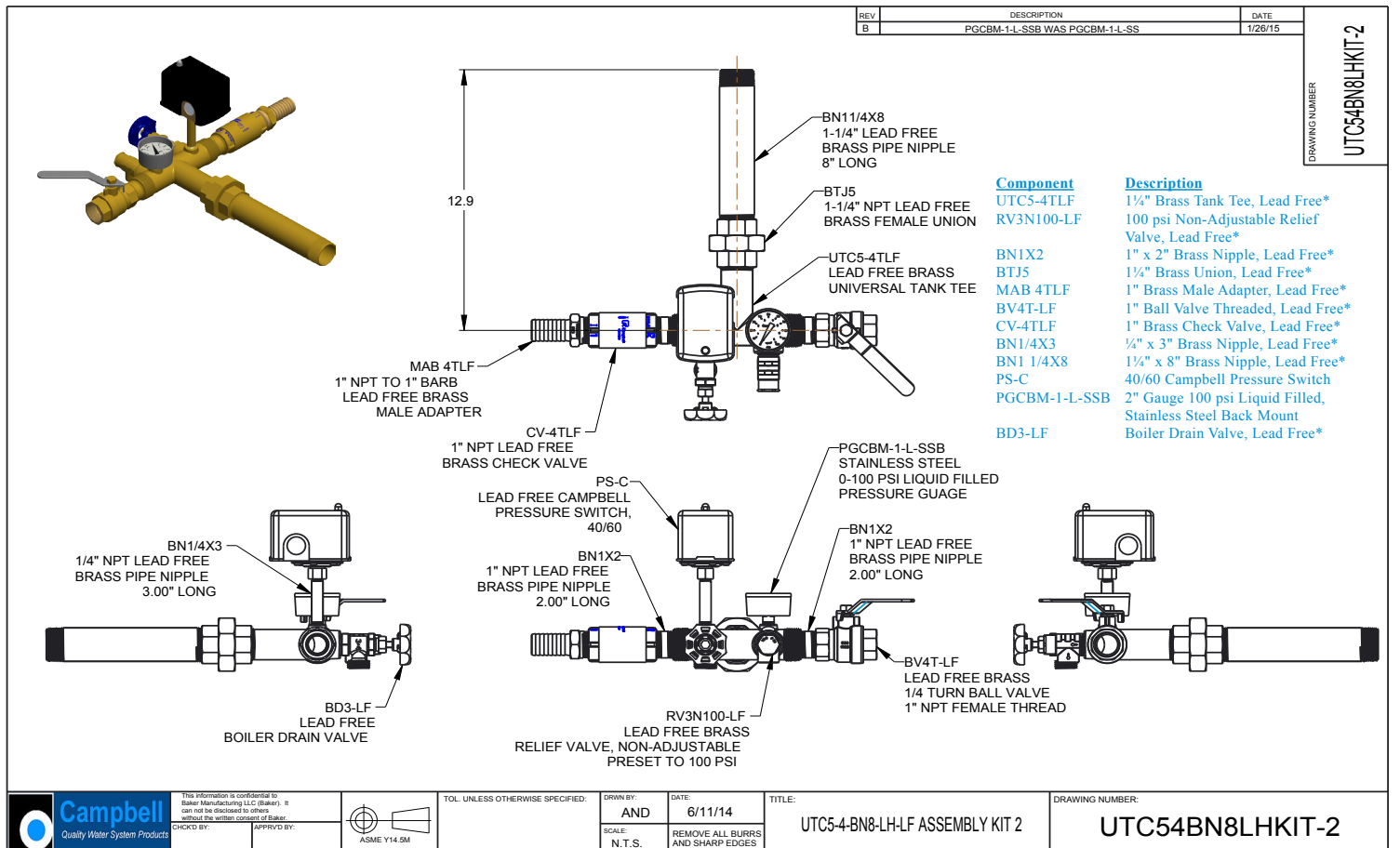
Left Hand Tank Tee Package - 1" Short Union 30/50 psi

	REV: A DESCRIPTION: RELEASE TO CAMPBELL DATE: 7/15/13	DRAWING NUMBER: STC43USLHKIT-130
 <p>Component STC4-3USLF CV-4TLF MAB 4TLF BN1/4X3 PS-A PG1T-NL RV2N100-LF BD2-LF BV4T-LF</p> <p>Description 1" Short Union Tank Tee, Lead Free* 1" Brass Check Valve, Lead Free* 1" Brass Male Adapter, Lead Free* 1/4" x 3" Brass Nipple, Lead Free* 30/50 Campbell Pressure Switch 2" 100 psi Dry Gauge, 1/4" Male Threaded, Lead Free* 1/2" 100 psi Relief Valve Econ, Lead Free* 1/2" Boiler Drain, Lead Free* 1" Ball Valve Threaded, Lead Free*</p>	 <p>1" NPT MALE THREAD</p> <p>4.5</p> <p>STC4-3USLF SHORT UNION TANK TEE</p> <p>MAB 4TLF 1" NPT HOSE BARB</p>	
 <p>BN1/4X3 1/4" BRASS PIPE NIPPLE 3.00" LONG</p> <p>BD2-LF 1/2" LEAD FREE BRASS BOILER DRAIN</p>	 <p>PS-A PRESSURE SWITCH, 30/50</p> <p>PG1T-NL 0-100 PSI PRESSURE GAUGE</p> <p>BV4T-LF 1/4 TURN BALL VALVE 1" NPT FEMALE THREAD</p> <p>RV2N100-LF RELIEF VALVE, NON-ADJUSTABLE PRESET TO 100 PSI</p> <p>CV-4TLF CHECK VALVE 1" NPT FEMALE THREAD</p>	
 <p>Campbell Quality Water System Products</p>	This information is confidential to Baker Manufacturing LLC (Baker). It can not be disclosed to others without the written consent of Baker. TOL. UNLESS OTHERWISE SPECIFIED: DRAWN BY: AND DATE: 7/15/13 TITLE: STC4-3US-LH-LF ASSEMBLY KIT SCALE: N. T. S. REMOVE ALL BURRS AND SHARP EDGES	DRAWING NUMBER: STC43USLHKIT-130

Left Hand WellMate Tank Tee Kit with Liquid Filled Pressure Gauge



Tank Tee Package 1 1/4" Union with 8" Brass Nipple

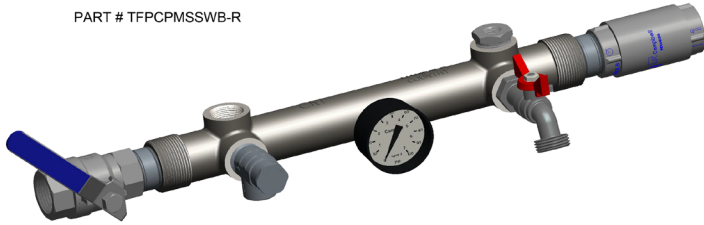


Right Hand 1" Stainless Steel Constant Pressure Manifold Kit

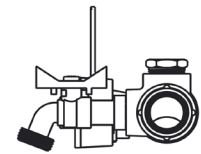
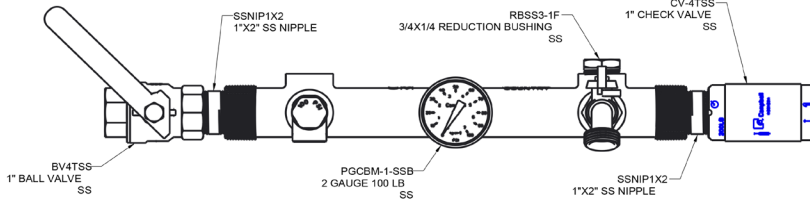
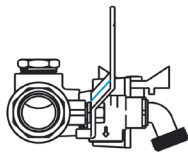
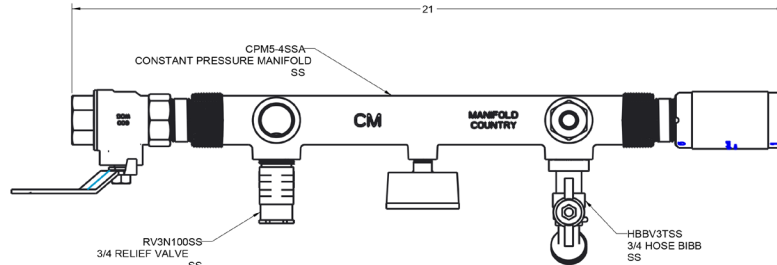
REV	DESCRIPTION	DATE
B	PGCBM-1-SSB WAS PGCBM-1-SS	1/26/15

DRAWING NUMBER
TFPCPMSSWB-R

PART # TFPCPMSSWB-R



Component	Description
CPM5-4SSA	1" Constant Pressure Manifold, Stainless Steel
CPM BRACKET KIT	Mounting Bracket Kit
HBBV3TSS	3/4" Hose Bibb, Stainless Steel
PGCBM-1-SSB	2" Gauge 100 lb, Stainless Steel Back Mount
RV3N100SS	3/4" 100 psi Relief Valve, Stainless Steel
CV-4TSS	1" Check Valve, Stainless Steel
BV4TSS	1" Ball Valve, Stainless Steel
SSNIP1X2	1" x 2" Nipple, Stainless Steel
RBSS3-1F	3/4" x 1/4" Reducer Bushing, Stainless Steel
SSTT260	1/2" x 260" Teflon Tape for Stainless Steel



This information is confidential to Baker Manufacturing LLC (Baker). It can not be disclosed to others without the written consent of Baker.
CHECKD BY: APPROVD BY:



TOL. UNLESS OTHERWISE SPECIFIED:

DRWN BY: AND
SCALE: N.T.S.

DATE: 7/17/13
REMOVE ALL BURRS AND SHARP EDGES

TITLE:

SS MANIFOLD KIT

DRAWING NUMBER:

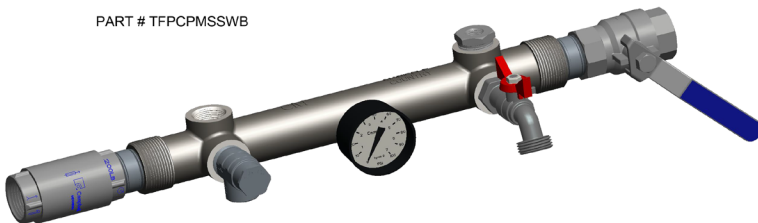
TFPCPMSSWB-R

Left Hand 1" Stainless Steel Constant Pressure Manifold Kit

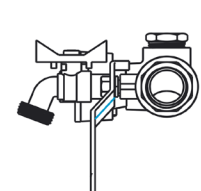
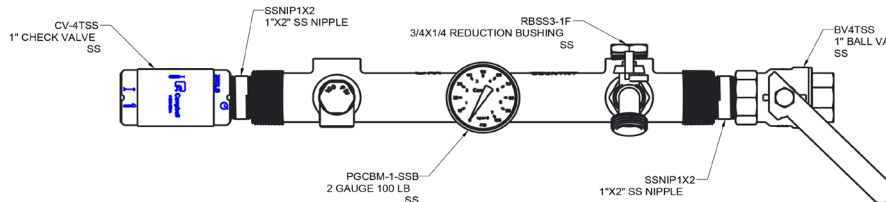
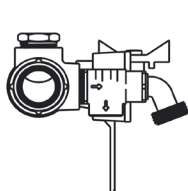
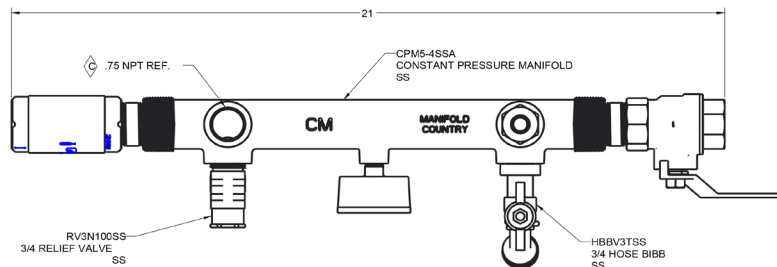
REV	DESCRIPTION	DATE
E	PGCBM-1-SSB WAS PGCBM-1-SS	1/26/15

DRAWING NUMBER
TFPCPMSSWB

PART # TFPCPMSSWB



Component	Description
CPM5-4SSA	1" Constant Pressure Manifold, Stainless Steel
CPM BRACKET KIT	Mounting Bracket Kit
HBBV3TSS	3/4" Hose Bibb, Stainless Steel
PGCBM-1-SSB	2" Gauge 100 lb, Stainless Steel Back Mount
RV3N100SS	3/4" 100 psi Relief Valve, Stainless Steel
CV-4TSS	1" Check Valve, Stainless Steel
BV4TSS	1" Ball Valve, Stainless Steel
SSNIP1X2	1" x 2" Nipple, Stainless Steel
RBSS3-1F	3/4" x 1/4" Reducer Bushing, Stainless Steel
SSTT260	1/2" x 260" Teflon Tape for Stainless Steel



This information is confidential to Baker Manufacturing LLC (Baker). It can not be disclosed to others without the written consent of Baker.
CHECKD BY: APPROVD BY:



TOL. UNLESS OTHERWISE SPECIFIED:

DRWN BY: AND
SCALE: N.T.S.

DATE: 4/26/13
REMOVE ALL BURRS AND SHARP EDGES

TITLE:

SS MANIFOLD KIT

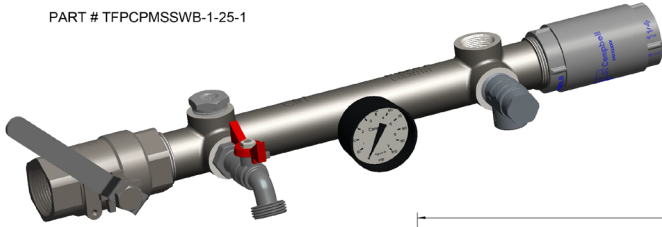
DRAWING NUMBER:

TFPCPMSSWB

Right Hand 1 1/4" Stainless Steel Constant Pressure Manifold Kit

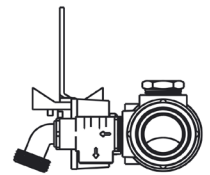
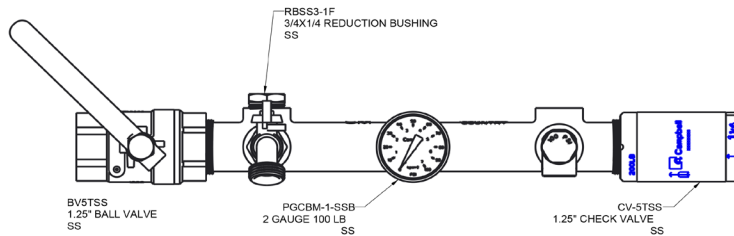
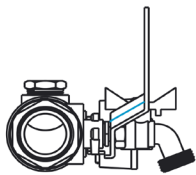
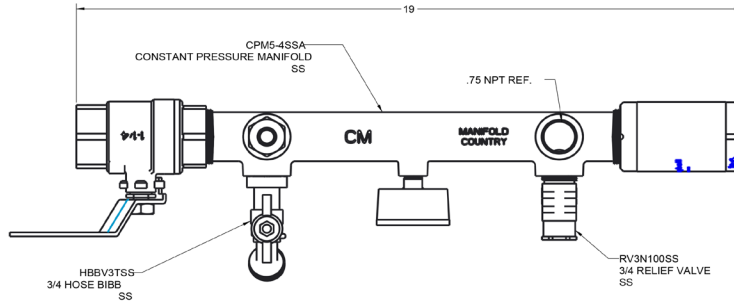
REV	DESCRIPTION	DATE
C	PGCBM-1-SSB WAS PGCBM-1-SS	1/26/15

PART # TFPCPMSSWB-1-25-1



Component	Description
CPM5-4SSA	1" Constant Pressure Manifold, Stainless Steel
CPM BRACKET KIT	Mounting Bracket Kit
HBBV3TSS	3/4" Hose Bibb, Stainless Steel
PGCBM-1-SSB	2" Gauge 100 lb, Stainless Steel Back Mount
RV3N100SS	3/4" 100 psi Relief Valve, Stainless Steel
CV-5TSS	1 1/4" Check Valve, Stainless Steel
BV5TSS	1 1/4" Ball Valve, Stainless Steel
RBSS3-1F	3/4" x 1/4" Reducer Bushing, Stainless Steel
SSTT260	1/2" x 260" Teflon Tape for Stainless Steel

DRAWING NUMBER
TFPCPMSSWB-1-25-1

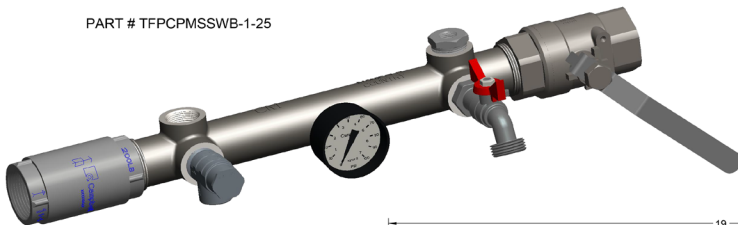


	<small>This information is confidential to Baker Manufacturing LLC (Baker). It can not be disclosed to others without the written consent of Baker.</small> CHECKD BY: _____ APPROVD BY: _____		TOL. UNLESS OTHERWISE SPECIFIED:	DRWN BY: AND	DATE: 10/16/13	TITLE: SS TANK FITTING PACKAGE	DRAWING NUMBER: TFPCPMSSWB-1-25-1
				SCALE: N.T.S.	REMOVE ALL BURRS AND SHARP EDGES		

Left Hand 1 1/4" Stainless Steel Constant Pressure Manifold Kit

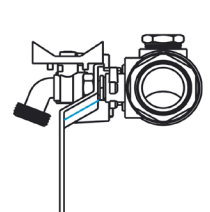
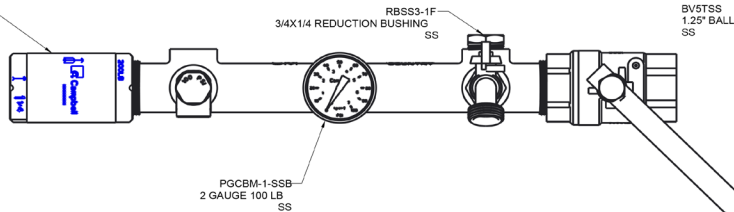
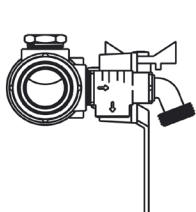
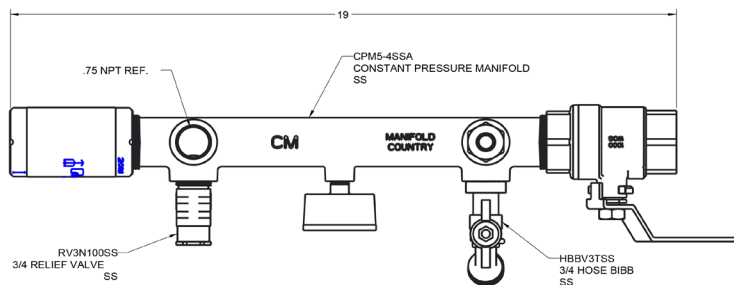
REV	DESCRIPTION	DATE
C	PGCBM-1-SSB WAS PGCBM-1-SS	1-26-15

PART # TFPCPMSSWB-1-25



Component	Description
CPM5-4SSA	1" Constant Pressure Manifold, Stainless Steel
CPM BRACKET KIT	Mounting Bracket Kit
HBBV3TSS	3/4" Hose Bibb, Stainless Steel
PGCBM-1-SSB	2" Gauge 100 lb, Stainless Steel Back Mount
RV3N100SS	3/4" 100 psi Relief Valve, Stainless Steel
CV-5TSS	1 1/4" Check Valve, Stainless Steel
BV5TSS	1 1/4" Ball Valve, Stainless Steel
RBSS3-1F	3/4" x 1/4" Reducer Bushing, Stainless Steel
SSTT260	1/2" x 260" Teflon Tape for Stainless Steel

DRAWING NUMBER
TFPCPMSSWB-1-25



	<small>This information is confidential to Baker Manufacturing LLC (Baker). It can not be disclosed to others without the written consent of Baker.</small> CHECKD BY: _____ APPROVD BY: _____		TOL. UNLESS OTHERWISE SPECIFIED:	DRWN BY: AND	DATE: 5/10/13	TITLE: SS TANK FITTING PACKAGE	DRAWING NUMBER: TFPCPMSSWB-1-25
				SCALE: N.T.S.	REMOVE ALL BURRS AND SHARP EDGES		

Tank Package and Manifold Kit

Options

Stainless Steel

PRESSURE GAUGES

Part No.	Description
PGCBM-1-SSB	2" Face, 1/4" Connection, 100lb., Center Back Mount Pressure Gauge, Dry, SS with LF Brass Connection and Internals
PGCBM-1-L-SSB	2" Face, 1/4" Connection, 100lb., Center Back Mount Pressure Gauge, Liquid Filled, SS with LF Brass Connection and Internals
PG1T-SSB	2" Face, 1/4" Connection, 100lb., Lower Mount Pressure Gauge, Dry, SS with LF Brass Connection and Internals
PG1T-L-SSB	2" Face, 1/4" Connection, 100lb., Lower Mount Pressure Gauge, Liquid Filled, SS with LF Brass Connection and Internals
PG2T-SS	2" Face, 1/4" Connection, 200lb., Lower Mount Pressure Gauge, Dry, All SS Internals
PG2T-SSB	2" Face, 1/4" Connection, 200lb., Lower Mount Pressure Gauge, Dry, SS with LF Brass Connection and Internals
PGVLSSB	2 1/2" Face, 1/4" Connection, 30-0 Vacuum Pressure Gauge, Liquid Filled, SS with LF Brass Connection and Internals



INSERT ADAPTERS

Part No.	Description
MASS 3T	3/4" Male Adapter
MASS 4T	1" Male Adapter
MASS 5T	1 1/4" Male Adapter
XSS-4T	1" Extra Long Male Adapter
XSS-5T	1 1/4" Extra Long Male Adapter



REDUCER BUSHING

Part No.	Description
RBSS3-1F	3/4" x 1/4" Reducer Bushing
RBSS3-2F	3/4" x 1/2" Reducer Bushing
RBSS4-3F	1" x 3/4" Reducer Bushing
RBSS5-4F	1 1/4" x 1" Reducer Bushing



RELIEF VALVES

Part No.	Description
RV2TSS	1/2" Relief Valve 75 psi
RV3TSS	3/4" Relief Valve 75 psi
RV2N100SS	1/2" Relief Valve 100 psi
RV3N100SS	3/4" Relief Valve 100 psi



CONSTANT PRESSURE MANIFOLD

Part No.	Description
CPM5-4SSA	1" Constant Pressure Manifold with 3/4" Top Taps
CPM5-4SSB	1" Constant Pressure Manifold with 1" Top Taps
CPM BRACKET KIT	Mounting Bracket Kit



CHECK VALVES

Part No.	Description
CV-3TSS	3/4" Check Valve
CV-4TSS	1" Check Valve
CV-5TSS	1 1/4" Check Valve

Flomatic Check Valves also available



NIPPLES

Part No.	Description
SSNIP1/4X3	1/4" x 3" Nipple
SSNIP1X2	1" x 2" Nipple
SSNIP3/4X2	3/4" x 2" Nipple



BALL VALVES

Part No.	Description
BV3TSS	3/4" Ball Valve
BV4TSS	1" Ball Valve
BV5TSS	1 1/4" Ball Valve



STAINLESS STEEL TAPE

Part No.	Description
SSTT260	Teflon Tape, 1/2" x 260"
SSTT520	Teflon Tape, 1/2" x 520"



PRESSURE SWITCHES

Part No.	Description
PS-A	30/50 Pressure Switch
PS-B	20/40 Pressure Switch
PS-C	40/60 Pressure Switch
FSG2-A	30/50 Pressure Switch
FSG2-B	20/40 Pressure Switch
FSG2-C	40/60 Pressure Switch

Also available in low pressure cut off



HOSE BIBB

Part No.	Description
HBBV2TSS	1/2" Hose Bibb, 1/4" Turn Ball Valve
HBBV3TSS	3/4" Hose Bibb, 1/4" Turn Ball Valve

TANK TEES

Part No.	Description
STC4-3TSS	1" x 3/4" Tank Tee
STC5-4TSS	1 1/4" x 1" Tank Tee
STC4-3USS	1" x 3/4" Union Tank Tee
STC4-3USSS	1" x 3/4" Short Union Tank Tee



Tank Package and Manifold Kit

Options

Lead Free* Brass

CAMPBELL PRESSURE SWITCHES



Part No.	Description
PS-A	30/50 Pressure Switch
PS-B	20/40 Pressure Switch
PS-C	40/60 Pressure Switch
FSG2-A	30/50 Pressure Switch
FSG2-B	20/40 Pressure Switch
FSG2-C	40/60 Pressure Switch

Also available in low pressure cut off



BRASS NIPPLES

Part No.	Description
BN1/4X3	1/4" x 3" Nipple

Other sizes available

1/4" X 1" CONSTANT PRESSURE MANIFOLD

Part No.	Description
CPM5-4LF	Constant Pressure Manifold
CPM BRACKET KIT	Mounting Bracket Kit



BALL VALVES

Part No.	Description
BV3T-LF	3/4" Ball Valve
BV4T-LF	1" Ball Valve
BV5T-LF	1 1/4" Ball Valve



UNIONS

Part No.	Description
BTJ4	1" Union
BTJ5	1 1/4" Union



MALE ADAPTERS

Part No.	Description
MAB 3TLF	3/4" Male Adapter
MAB 4TLF	1" Male Adapter
MAB 5TLF	1 1/4" Male Adapter
XB4TLF	1" Extra Long Adapter



HOSE BIBB

Part No.	Description
HBBV2T-LF	1/2" Hose Bibb
HBBV3T-LF	3/4" Hose Bibb

PRESSURE GAUGES



Part No.	Description
PG1T-NL	2" 100 psi Gauge, 1/4" Male Threaded, LM
PG1T-L-NL	2" 100 psi Liquid Gauge, 1/4" Male Threaded, LM
PG2T-NL	2" 200 psi Gauge, 1/4" Male Threaded, LM
PG3T-NL	2" 30 psi Gauge, 1/4" Male Threaded, LM
PG3T-L-NL	2" 30 psi Liquid Gauge, 1/4" Male Threaded, LM
PG4T-NL	2" 60 psi Gauge, 1/4" Male Threaded, LM
PG5T-NL	2" 160 psi Gauge, 1/4" Male Threaded, LM
PG9T-NL	2 1/2" 30 psi Gauge, 1/4" Male Threaded, LM
PG10T-L-NL	2 1/2" 60 psi Gauge, 1/4" Male Threaded, LM
PG11T-NL	2 1/2" 100 psi Gauge, 1/4" Male Threaded, LM
PG11T-L-NL	2 1/2" 100 psi Liquid Gauge, 1/4" Male Threaded, LM
PG12T-L-NL	2 1/2" 160 psi Liquid Gauge, 1/4" Male Threaded, LM
PG13T-NL	2 1/2" 200 psi Gauge, 1/4" Male Threaded, LM
PG13T-L-NL	2 1/2" 200 psi Liquid Gauge, 1/4" Male Threaded, LM
PGV-NL	2" VAC Gauge 30 psi, 1/4", LM
PGCBM-1-NL	2" Face, 1/4" Connection, 100lb., Center Back Mount Pressure Gauge, Dry
PGP1-NL	Plastic 2" Gauge 100 psi, LM

BOILER DRAINS

Part No.	Description
BD2-LF	1/2" Boiler Drain
BD3-LF	3/4" Boiler Drain



CHECK VALVES

Part No.	Description
CV-3TLF	3/4" Check Valve
CV-4TLF	1" Check Valve
CV-5TLF	1 1/4" Check Valve

Flomatic Check Valves also available



RELIEF VALVE

Part No.	Description
RV2NLF	1/2" Relief Valve 75 psi
RV3NLF	3/4" Relief Valve 75 psi
RV2N100-LF	1/2" Relief Valve 100 psi
RV3N100-LF	3/4" Relief Valve 100 psi



TANK TEES

Part No.	Description
WMTC4-3LF	WellMate Quick Connect Tee
STC4-3LF	1" x 3/4" Solid Tank Tee
STC4-3TLF	1" x 3/4" Solid Tank Tee Import
STC5-4TLF	1 1/4" x 1" Solid Tank Tee
STC4-3XTLF	1" x 3/4" Tank Tee with 1/2" Tap
FTX4-3LF	11" Long Tank Tee
FTX4-3X13LF	13" Long Tank Tee
FTX4-3X13TLF	14" Long Tank Tee
FTX5-4LF	1 1/4" x 1" Tank Tee
FTX5-4TLF	16" Long Tank Tee
FTX5-4X16LF	16" Long Tank Tee
FTX5-4X16TLF	17" Long Tank Tee
FTX5-4-3X13TLF	13" Long Tank Tee
FTX5-4-3X16TLF	16" Long Tank Tee
FTC4-3LF	1" x 3/4" Tank Tee
FTC4-3TLF	1" x 3/4" Tank Tee
FTC5-4TLF	1 1/4" x 1" Tank Tee
UTC4-3LF	1" Universal Tank Tee
UTC5-4LF	1 1/4" x 1" Universal Tank Tee
UTC5-4-3LF	1 1/4" x 1" x 3/4" Universal Tank Tee
FTX4-3X13ULF	13" Long Union Tank Tee
FTX5-4X16ULF	1 1/4" Tank Tee 16" Union Tank Tee
STC4-3ULF	1" x 3/4" Union Tank Tee
STC5-4ULF	1 1/4" Union Tank Tee
STC4-3USLF	1" x 3/4" Union Tank Tee



TAPE

Part No.	Description
TT260	Teflon Tape, 1/2" x 260"
TT520	Teflon Tape, 1/2" x 520"
TT520-3	Teflon Tape, 3/4" x 520"

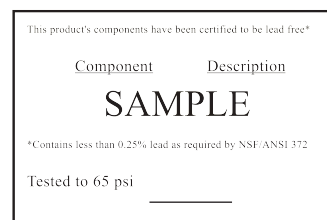
*Contains less than 0.25% lead as required by NSF/ANSI 372

Benefits of Using a Campbell Mfg., LLC. Tank Package and Manifold Kit

- Fully pre-assembled and boxed to save time and labor costs in assembly
- Proudly assembled and factory tested in the United States of America
- Factory tested to 85 psi
- Components are third party certified to contain less than 0.25% as required by NSF/ANSI 372
- Different configurations are available to fit customer needs
- 1 year warranty on all parts to give you and your customer peace of mind

Lead Free* Certification Tags

A lead free* certification tag is attached to each individual tank package and manifold kit. These tags contain a part component list and description.

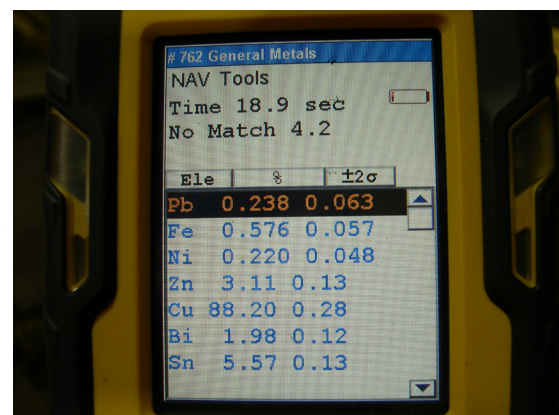


Lead Free* Testing

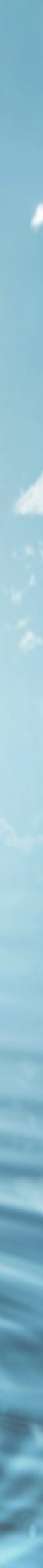


Pictured here the Plant Manager at Campbell Manufacturing, LLC. is performing a quality test on a lead free* brass Slide Adapter using a Thermo Nitron XRF Analyzer. The Thermo Nitron XRF Analyzer is used to determine the lead content of a part to ensure lead free compliance. Employees conducting this test using this piece of equipment are professionally trained on the Thermo Nitron XRF Analyzer.

Pictured to the right the Thermo Nitron XRF Analyzer displays the material makeup of the tested part. Here the part contains 0.238% lead making it lead free as required by NSF/ANSI 372 standards.



NOTES





Campbell Manufacturing, LLC.
127 East Spring Street
Bechtelsville, PA 19505
800-523-0224
moreinfo@campbellmfg.com
www.bakerwatersystems.com