



Z5110

20" x 17" Countertop Lavatory

TAG _____



Z5110 Series

- 20" [508 mm] x 17" [432 mm]
- Vitreous china
- Faucet holes for single, 4" or 8" centers
- Self-rimming front overflow design
- Waste: 1-1/4" O.D.
- Depth: 6-5/8"
- Shipping Weight: 22 lbs.

Engineering Specification:

- Z5111 Lavatory** - 20" x 17" vitreous china, self-rimming, countertop lavatory with single faucet hole.
- Z5114 Lavatory** - 20" x 17" vitreous china, self-rimming, countertop lavatory with 4" center faucet holes.
- Z5118 Lavatory** - 20" x 17" vitreous china, self-rimming, countertop lavatory with 8" center faucet holes.

Z5110 Series

Recommended Trim:

- Z8743-PC** Grid Strainer
- Z8700 SERIES** P-Trap
- Z8800 SERIES** Stop with flexible supplies
- Z8946-1-NT** ADA trap, stop, and supply protectors

Optional Trim:

- Z8746-PC** ADA grid Strainer
- Z8946-3-NT** ADA trap, stop, and supply protectors for offset grid strainers.

See Zurn One Systems for suggested packages.

Architectural/Engineering Approval

The information contained in this document is subject to change without notice. Please contact Zurn for most up to date information.

Fixture dimensions meet ANSI/ASME standard A112.19.2 and CAN/CSA B45 requirements.

ZURN INDUSTRIES, LLC. ♦ COMMERCIAL BRASS OPERATION ♦ 5900 ELWIN BUCHANAN DRIVE ♦ SANFORD NC 27330

Phone: 1-800-997-3876 ♦ Fax: 919-775-3541 ♦ World Wide Web: www.zurn.com

In Canada: ZURN INDUSTRIES LIMITED ♦ 7900 Goreway Drive Unit 10 ♦ Brampton, Ontario L6T5W6 ♦ Phone: 905-405-8272 Fax: 905-405-1292



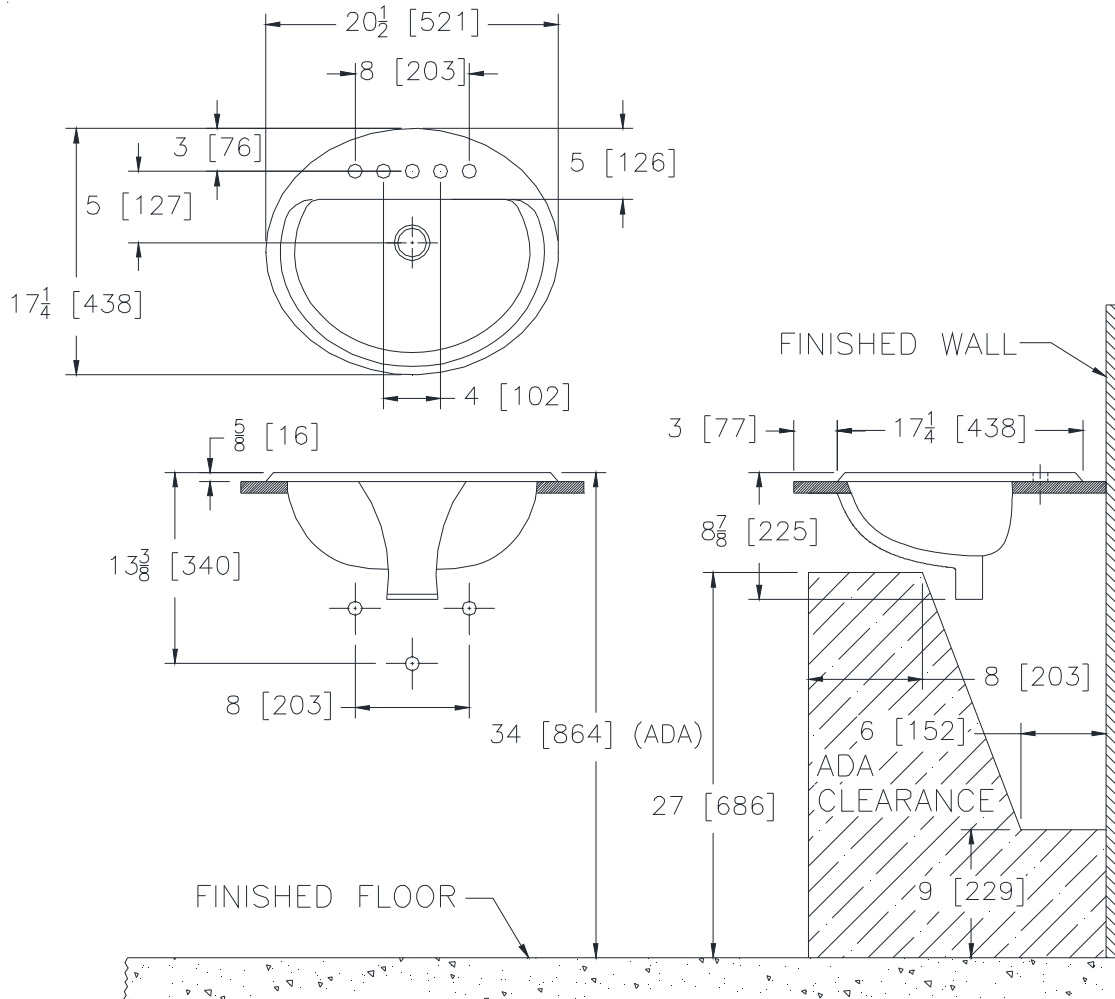
Z5110

20" x 17" Countertop Lavatory

TAG _____

Rough-in dimensions for Z5110 Series

- Z5111 Countertop Lavatory with single faucet hole
- Z5114 Countertop Lavatory with 4" center faucet holes
- Z5118 Countertop Lavatory with 8" center faucet holes



Fixture dimensions meet ANSI/ASME standard A112.19.2 and CAN/CSA B45 requirements.

ZURN INDUSTRIES, LLC. ♦ COMMERCIAL BRASS OPERATION ♦ 5900 ELWIN BUCHANAN DRIVE ♦ SANFORD NC 27330

Phone: 1-800-997-3876 ♦ Fax: 919-775-3541 ♦ World Wide Web: www.zurn.com

In Canada: ZURN INDUSTRIES LIMITED ♦ 7900 Goreway Drive Unit 10 ♦ Brampton, Ontario L6T5W6 ♦ Phone: 905-405-8272 Fax: 905-405-1292

Rev. E
Dwg. No. 80595

Date: 10/16/2017
Product No. Z5110