



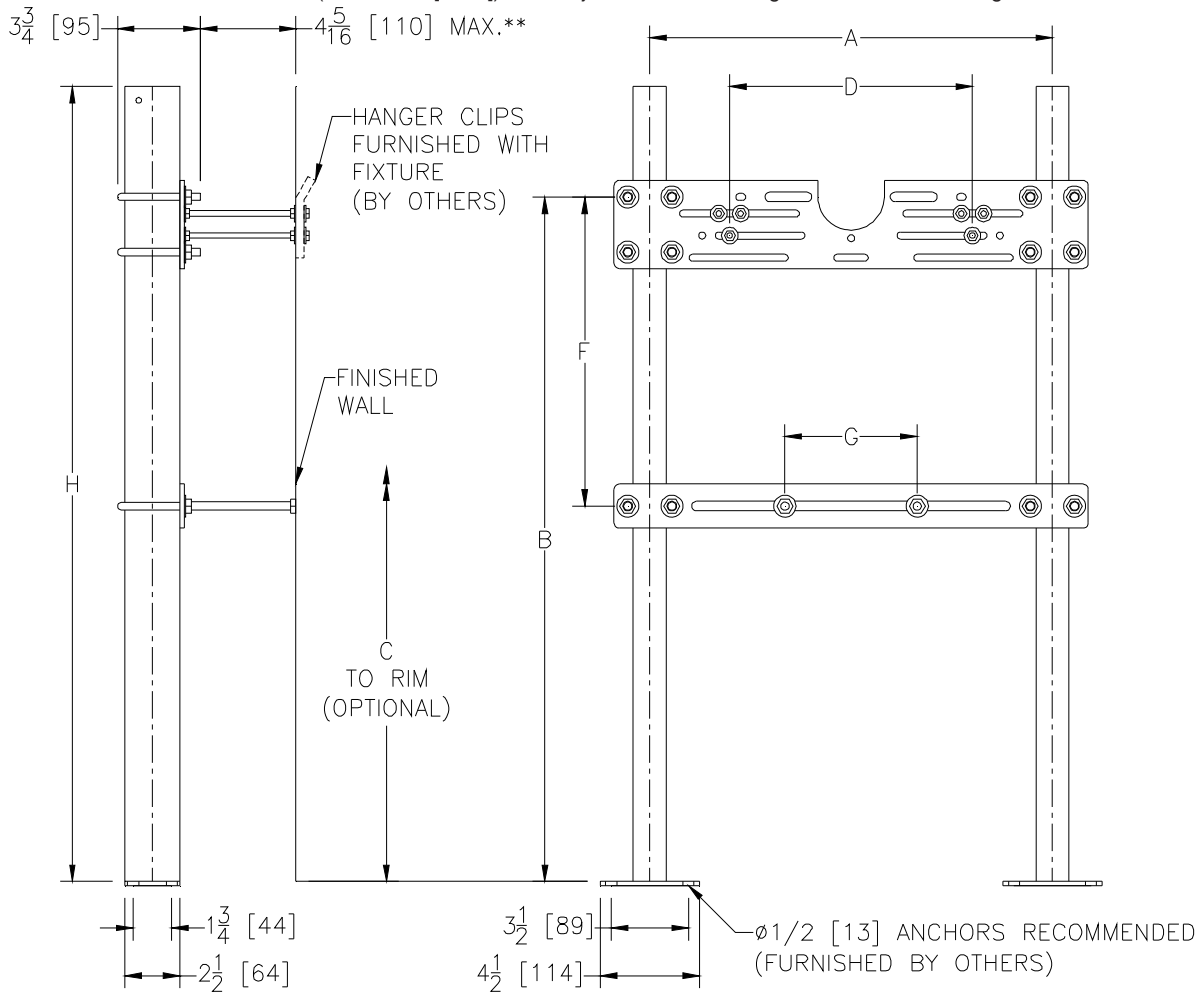
Z1222

PLATE TYPE SYSTEM WITH BEARING PLATE

SPECIFICATION SHEET

TAG _____

Dimensional Data (inches and [mm]) are Subject to Manufacturing Tolerances and Change Without Notice



**WITH STANDARD STUD LENGTH OF 6 [152].

Product No.	Approx. Wt. Lbs. [kg]
Z1222	54 [24]

ENGINEERING SPECIFICATION: ZURN Z1222 Wall urinal support system
 Complete with Dura-Coated carbon structural steel rectangular tubing uprights, conforming to ASTM A500 Grade C, with welded base feet having slotted floor anchor holes. Lower bearing plate is vertically adjustable with slot to accommodate bearing jack placement. Upper Universal hanger plate is pre-notched for back spud inlet and is designed for various hardware positions and fixtures. Includes mounting fasteners and hardware. Carrier system exceeds load and deflection requirements as outlined in ASME Standard A112.6.1M.

OPTIONS (Check/specify appropriate options)

PREFIXES

___ Z Dura-Coated System with Universal Plate*

SUFFIXES

- ___ -CB Carrier Bank
- ___ -CU Floor to ceiling upright
- ___ -D Back to Back System
- ___ -EZ Easy to Install Assembly (Uprights, bearing plate, and hanger plate are factory assembled)
- ___ -SL Stud Length Greater Than 6 [152] (Specify Length)
- ___ -UA Urinal Adapter
- ___ -58 Flush Valve Supply Support

Note: Dimensional data for letter dimensions depends upon fixture type and manufacturer. See Zurn Carrier/Fixture Rough-In Information at www.zurn.com for specific rough-in dimensions.

*REGULARLY FURNISHED UNLESS OTHERWISE SPECIFIED

REV. F	DATE: 8/24/10	C.N. NO. 111591
DWG. NO. 58850	PRODUCT NO. Z1222	