



Product information presented here reflects conditions at time of publication. Consult factory regarding discrepancies or inconsistencies.

Register your Zoeller Pump Company Product on our website: <http://reg.zoellerpumps.com/>



**PUMP COMPANY**

Zoeller Family of Water Solutions™

MAIL TO: P.O. BOX 16347 • Louisville, KY 40256-0347  
SHIP TO: 3649 Cane Run Road • Louisville, KY 40211-1961  
(502) 778-2731 • 1 (800) 928-PUMP • FAX (502) 774-3624

visit our web site:  
[www.zoeller.com](http://www.zoeller.com)



# OWNER'S MANUAL

## MODELS 818, 819 & 820 SUBMERSIBLE GRINDER UNITS

Congratulations on the purchase of the Zoeller submersible grinder pump. Since 1939, the name Zoeller® has represented the standard for submersible dewatering and sewage pumps. The same high quality workmanship and easy maintenance design has been incorporated into this line of heavy-duty submersible grinder pumps. This Zoeller® pump will provide years of trouble-free service when installed according to the manufacturer's recommendations.

This manual incorporates the installation, operation, maintenance, and service instructions into one document to aid in the ownership of a Zoeller® submersible wastewater product.

Please read and review this manual before installing the product. Follow the steps in this manual for a proper start-up. Many items contained within, when followed correctly, will not only ensure a long and problem-free life for the pump, but also save time and money during installation. For replacement parts lists, please reference FM2993 for 818 series, FM2995 for 819 series, and FM1531 for 820 series. Should further assistance be necessary please call our Technical Support Department at 1-800-928-PUMP (7867).

Table of Contents	
Safety Instructions .....	1
Limited Warranty .....	2
Preinstallation Checklist.....	3
General Information .....	4
Pump Wiring Instructions .....	5
Typical Indoor Prepackaged System .....	6
Indoor Prepackaged Installation Instructions .....	7
Typical Outdoor Prepackaged System .....	8
Outdoor Prepackaged Installation Instructions .....	9
Operation.....	10
Cutter Maintenance .....	11
Service Checklist.....	12

Owner's Information	
Model Number: _____	Date Code: _____
<input type="checkbox"/> Automatic	<input type="checkbox"/> Nonautomatic
<input type="checkbox"/> Packaged System	<input type="checkbox"/> Field Assembled System
Job Name: _____	
Distributor: _____	
Date of Purchase: _____	Zoeller S/O No.: _____
Contractor: _____	
Date of Installation: _____	
System Readings During Start-up: Voltage _____ Amps _____	

Safety Instructions	
<b>TO AVOID SERIOUS OR FATAL PERSONAL INJURY OR MAJOR PROPERTY DAMAGE, READ AND FOLLOW ALL SAFETY INSTRUCTIONS IN THIS MANUAL AND ON THE PUMP.</b>	
<b>THIS MANUAL IS INTENDED TO ASSIST IN THE INSTALLATION AND OPERATION OF THIS UNIT AND MUST BE KEPT WITH THE PUMP.</b>	
	This is a <b>SAFETY ALERT SYMBOL</b> . When you see this symbol on the pump or in the manual, look for one of the following signal words and be alert to the potential for personal injury or property damage.
<b>▲ DANGER</b>	Warns of hazards that <b>WILL</b> cause serious personal injury, death or major property damage.
<b>▲ WARNING</b>	Warns of hazards that <b>CAN</b> cause serious personal injury, death or major property damage.
<b>▲ CAUTION</b>	Warns of hazards that <b>CAN</b> cause personal injury or property damage.
<b>▲ NOTICE</b>	INDICATES SPECIAL INSTRUCTIONS WHICH ARE VERY IMPORTANT AND MUST BE FOLLOWED.
<b>THOROUGHLY REVIEW ALL INSTRUCTIONS AND WARNINGS PRIOR TO PERFORMING ANY WORK ON THIS PUMP.</b>	
<b>MAINTAIN ALL SAFETY DECALS.</b>	
<b>PUMPS WITH THE "UL" MARK AND PUMPS WITH THE "US" MARK ARE TESTED TO UL STANDARD UL778. CSA CERTIFIED PUMPS ARE CERTIFIED TO CSA STANDARD C22.2 NO. 108.</b>	
<b>REFER TO WARRANTY ON PAGE 2.</b>	

P/N 019555

## LIMITED WARRANTY

Manufacturer warrants, to the purchaser and subsequent owner during the warranty period, every new product to be free from defects in material and workmanship under normal use and service, when properly used and maintained, for a period of one year from date of purchase by the end user, or 18 months from date of original manufacture of the product, whichever comes first. Parts that fail within the warranty period, one year from date of purchase by the end user, or 18 months from the date of original manufacture of the product, whichever comes first, that inspections determine to be defective in material or workmanship, will be repaired, replaced or remanufactured at Manufacturer's option, provided however, that by so doing we will not be obligated to replace an entire assembly, the entire mechanism or the complete unit. No allowance will be made for shipping charges, damages, labor or other charges that may occur due to product failure, repair or replacement.

This warranty does not apply to and there shall be no warranty for any material or product that has been disassembled without prior approval of Manufacturer, subjected to misuse, misapplication, neglect, alteration, accident or act of nature; that has not been installed, operated or maintained in accordance with Manufacturer's installation instructions; that has been exposed to outside substances including but not limited to the following: sand, gravel, cement, mud, tar, hydrocarbons, hydrocarbon derivatives (oil, gasoline, solvents, etc.), or other abrasive or corrosive substances, wash towels or feminine sanitary prod-

ucts, etc. in all applications other than raw sewage pumping applications. The warranty set out in the paragraph above is in lieu of all other warranties expressed or implied; and we do not authorize any representative or other person to assume for us any other liability in connection with our products.

Contact Manufacturer at, 3649 Cane Run Road, Louisville, Kentucky 40211, Attention: Customer Support Department to obtain any needed repair or replacement of part(s) or additional information pertaining to our warranty.

MANUFACTURER EXPRESSLY DISCLAIMS LIABILITY FOR SPECIAL, CONSEQUENTIAL OR INCIDENTAL DAMAGES OR BREACH OF EXPRESSED OR IMPLIED WARRANTY; AND ANY IMPLIED WARRANTY OF FITNESS FOR A PARTICULAR PURPOSE AND OF MERCHANTABILITY SHALL BE LIMITED TO THE DURATION OF THE EXPRESSED WARRANTY.

Some states do not allow limitations on the duration of an implied warranty, so the above limitation may not apply to you. Some states do not allow the exclusion or limitation of incidental or consequential damages, so the above limitation or exclusion may not apply to you.

This warranty gives you specific legal rights and you may also have other rights which vary from state to state.

## Applications

1. Zoeller Grinder Pumps are designed for grinding and pumping sewage from single family residential and commercial duty sewage pump stations. The pump is intended to grind and pump reasonable quantities of items normally found in residential sewage.
2. Zoeller Grinder Pumps can be installed in new applications or as a direct replacement for any grinder application of like size and capacity.
3. Refer to the Zoeller models 810 and 815 when retrofitting existing positive displacement pump installations.

## Recommended Limits of Application 800 Series Grinder Pumps

These recommended application limits are for pump stations pumping to a gravity main. Low-pressure pipe systems should be designed with a pump located at each house. For applications where a lift station would handle between 15 and 60 homes, consider the 71 Series grinder pump. For applications where a lift station would handle more than 60 homes, a solids handling type pump should be considered.

Model	HP	Simplex Station		Duplex Station	
		Homes	GPD	Homes	GPD
810 Progressing Cavity Grinder	1.0	1	400	2	800
815 Progressing Cavity Grinder	2.0	1	400	2	800
818	1.0	1	400	2	800
819	1.5	1	400	2	800
820	2.0	1	400	2	800
840 w/o Reversing Control	2.0	2*	800	10	4,000
840 w/ Reversing Control	2.0	2*	800	15	6,000
841	2.0	2*	800	10	4,000
842	2.0	2*	800	10	4,000

\*Zoeller Company does not recommend a simplex station on anything over two homes in order to maintain continuous service during unusual conditions.

## Preinstallation Checklist

1. **Inspect your grinder pump.** If the unit has been damaged in shipment, contact your dealer before installing. **Do Not** remove the test plug in the cover nor the motor housing.
2. **Carefully read all literature** to familiarize yourself with details regarding installation and use. Retain materials for future reference.



**WARNING**

SEE BELOW FOR LIST OF WARNINGS



**CAUTION**

SEE BELOW FOR LIST OF CAUTIONS

1. **Make sure pump connection contains a ground terminal.** The power cord on all Zoeller Grinder Pumps contains a green conductor for grounding to help protect you against the possibility of electric shock.
  2. **Make certain the receptacle is within reach of the power supply cord.**
  3. **Make sure any panels and branch circuits are equipped** with proper size fuses and circuit breakers. An independent power circuit is recommended, sized according to the National Electrical Code, for the current shown on the grinder pump nameplate.
  4. **Automatic pumps have three prong plug caps and must be connected to a three prong grounded receptacle with ground fault circuit interrupter (GFCI).**
  5. **For your protection, always disconnect the power source to the grinder pump before handling.** All grinder pumps must be properly grounded and wired in accordance with the "National Electrical Codes" and all local codes and ordinances.
  6. Installation of electrical hardware and checking of control panels and circuits should be performed by a qualified licensed electrician.
  7. Risk of electrical shock - These pumps have not been investigated for use in swimming pool areas.
  8. According to the state of California (Prop 65), this product contains chemicals known to the state of California to cause cancer and birth defects or other reproductive harm.
1. **Make sure the power source** is capable of handling the electrical requirements of the grinder pump, as indicated on the nameplate.
  2. **A disconnect switch should be installed ahead of the pump.**
  3. If Grinder pumps are operated by control panels with variable level float control switches, it is the responsibility of the installing party that float control switches will not hang up on the grinder pump or other pit peculiarities and are secured so that the grinder pump will shut off. It is recommended to use rigid pipe and fittings and the pit be 24" in diameter for simplex systems and 36" in diameter for duplex systems or larger.
  4. Grinder installations should be checked yearly for debris and/or build up which may interfere with the "ON" or "OFF" positions of variable level float control switches. Repair and service, other than cutter assembly maintenance, should be performed by Zoeller authorized service stations only.
  5. Maximum operating temperature must not exceed 130°F, (54°C).
  6. **Pump and float switch electrical connections must be permanently installed, operational and protected from submergence.**
  7. **Junction box conduit must be installed with watertight connection. Zoeller junction boxes include a UL Listed potting kit for sealing conduit. Failure to properly install this sealant material could void warranty.**



**WARNING** Do not attempt to turn star cutter located on bottom of the unit with fingers. Use a wrench when checking or removing star cutter.

## Electrical Data

Model	HP	Mode	RPM	Voltage	Phase	Hertz	Amps				KVA Code	Winding Resistance Line-to-Line
							Full Load	In Air	Shut Off	Locked Rotor		
WM818	1	Auto	3450	115	1	60	13.6	8.0	10.2	46	F	0.7 / 3.4
N818	1	Non	3450	115	1	60	13.6	8.0	10.2	46	F	0.7 / 3.4
WH818	1	Auto	3450	200-208	1	60	7.7	3.7	8.7	27.7	G	2.0 / 1.4
I818	1	Non	3450	200-208	1	60	7.7	3.7	8.7	27.7	G	2.0 / 1.4
WD818	1	Auto	3450	230	1	60	8.5	7.6	7.0	57	H	1.2 / 2.0
E818	1	Non	3450	230	1	60	8.5	7.6	7.0	57	H	1.2 / 2.0
WH819	1.5	Auto	3450	200-208	1	60	12.0	8.8	8.7	61.6	H	0.8 / 2.0
I819	1.5	Non	3450	200-208	1	60	12.0	8.8	8.7	61.6	H	0.8 / 2.0
WD819	1.5	Auto	3450	230	1	60	10.8	7.6	8.3	57	H	1.2 / 2.0
E819	1.5	Non	3450	230	1	60	10.8	7.6	8.3	57	H	1.2 / 2.0
WH820	2	Auto	3450	200-208	1	60	15.5	8.8	11.0	61.6	H	0.8 / 2.0
I820	2	Non	3450	200-208	1	60	15.5	8.8	11.0	61.6	H	0.8 / 2.0
WD820	2	Auto	3450	230	1	60	13.7	7.6	10.2	57	H	1.2 / 2.0
E820	2	Non	3450	230	1	60	13.7	7.6	10.2	57	H	1.2 / 2.0

# General Information

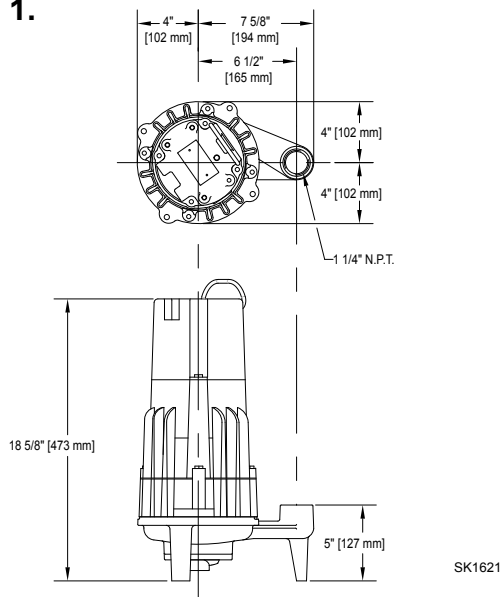
## GRINDER PUMP DESCRIPTION

1. Pumps are constructed of class 30 cast iron with powder coated epoxy protection for long life when pumping sewage in submersible applications. The cutter assembly is comprised of 440 C stainless steel components hardened to a value of 55-60 on the Rockwell C scale; a star shaped cutter and a precision ground flat disk. Cutting action takes place with the rotation of the star cutter in the clockwise (looking down on the unit) direction only, see Fig. 6 on page 11.
2. Pump motors are single phase design. Single phase motors require a starting relay, starting capacitor and a run capacitor. These items are located in the switch case on the pump.
3. These grinder pumps have a single seal design and do not have sensor wires.
4. Automatic reset thermal overload protection is provided in the pump motor.

## FIELD ASSEMBLED INSTALLATION

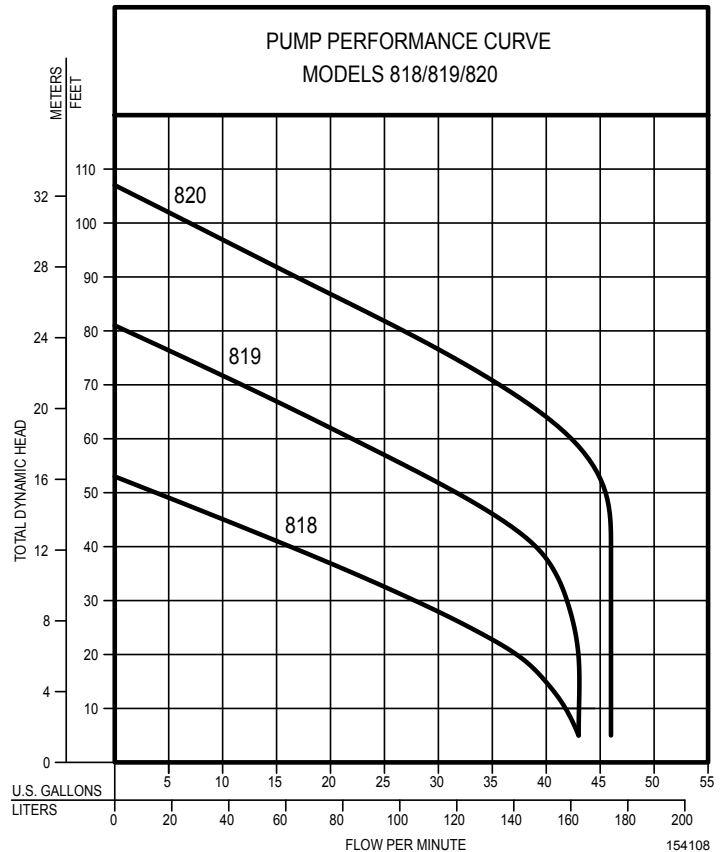
1. Installation and piping instructions are included with the rail system and basin instructions. If pump is being retrofitted to an existing rail system, accessory parts may be required. Consult the factory and advise make and model of rail system being used.
2. Refer to the appropriate Indoor/Outdoor prepackaged instructions on pages 6-9 for more information on system installation.
3. All electrical connections including pump to control box and power supply to control panels must comply with the "National Electrical Code" and applicable local codes. Conduit and panel enclosure openings must have a gas and watertight seal. Installation of electrical panels, conduit and connections should be made by a qualified licensed electrician. A UL Listed potting kit, P/N 10-2350, is available from Zoeller Company.
4. When installing a pump with a check valve, or a rail system with a check valve, you must give the pump case time to fill to help prevent air lock when lowering the unit into the liquid. The pump case has an air vent located behind the discharge. This air vent is across the pump housing mounting surface and must be cleaned before each reinstall. An extra air vent hole (3/16") may be drilled in discharge pipe below the check valve to help prevent air lock. This drilled hole must be cleaned before each reinstall. After the pump is installed, run the unit submerged to assure the pump case is filled (Water should come out of 3/16" diameter hole).

FIGURE 1.



TOTAL DYNAMIC HEAD/FLOW PER MINUTE SEWAGE AND DEWATERING

MODEL	818		819		820		
Feet	Meters	Gal.	Liters	Gal.	Liters	Gal.	Liters
5	1.5	43	163	43	163	46	174
10	3.0	42	159	43	163	46	174
15	4.6	40	151	43	163	46	174
20	6.1	37	140	43	163	46	174
25	7.6	33	125	43	163	46	174
30	9.1	28	106	42	159	46	174
35	10.7	22	83	41	155	46	174
40	12.2	16.5	62	39	148	46	174
50	15.2	-	-	32	121	46	174
60	18.3	-	-	22	83	43	163
70	21.3	-	-	12	45	36	136
80	24.4	-	-	-	-	27	102
90	27.4	-	-	-	-	16.7	63
100	30.5	-	-	-	-	7	26
Shut-off Head:		53 ft. (16.2m)		81 ft. (24.7m)		107 ft. (32.6m)	



154108

154108

# Pump Wiring Instructions



**▲ WARNING** FOR YOUR PROTECTION, ALWAYS DISCONNECT THE PUMP FROM ITS POWER SOURCE BEFORE HANDLING. Single phase automatic pumps are supplied with a 3-prong grounded plug to help protect you against the possibility of electrical shock. **DO NOT UNDER ANY CIRCUMSTANCES REMOVE THE GROUND PIN.** The 3-prong plug must be inserted into a mating 3-prong grounded receptacle. If the installation does not have such a receptacle, it must be wired and grounded in accordance with the National Electrical Code and all applicable local codes and ordinances.



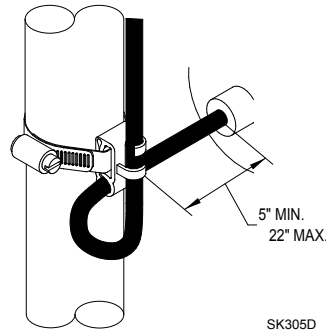
**▲ WARNING** "Risk of electrical shock" Do not remove the power supply cord and strain relief or connect conduit directly to pump. **▲ WARNING** Installation and checking of electrical circuits and hardware should be performed by a qualified licensed electrician.

**FIGURE 4.**

### Determining Pumping Range in Inches (1 inch - 2.5 cm)

Tether Length	5	10	15	20	22
	min.				max.
Pumping Range	9	13.5	18	22	24

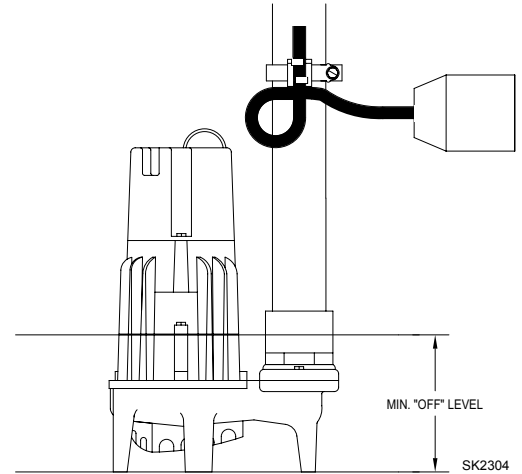
Use only as a guide. Due to weight of cable, pumping range above horizontal is not equal to pumping range below horizontal. Ranges are based on testing in nonturbulent conditions. Range may vary due to water temperature and cord shape. As tether length increases, so does the variance of the pumping range.



20 AMP SWITCH (WD & WH MODELS)

**Note:** Failure to keep within proper tether limits may prevent reliable switch operation.

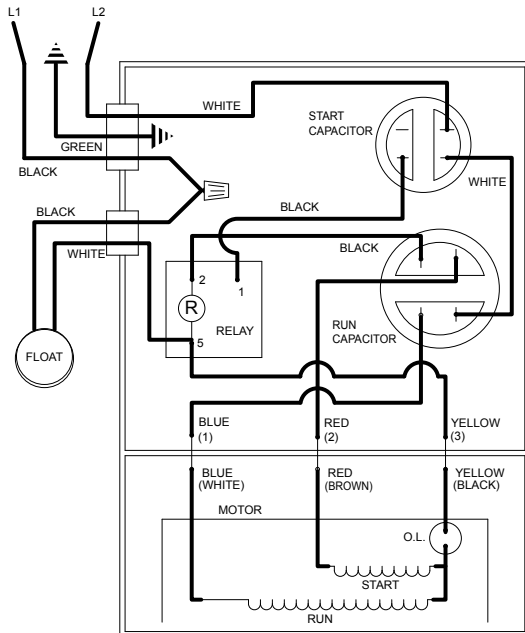
**Note:** Cable must be mounted in horizontal position.



Models WD & WH are fully automatic. A float switch is included and factory wired in the pump circuit to provide automatic operation once the float switch is secured properly to the outlet pipe. Use the diagram above to secure the float switch properly and obtain the proper tether to customize the on-off cycle to each application. Note the minimum off level shown above. On Prepackaged Systems, the tether length is set at 5".

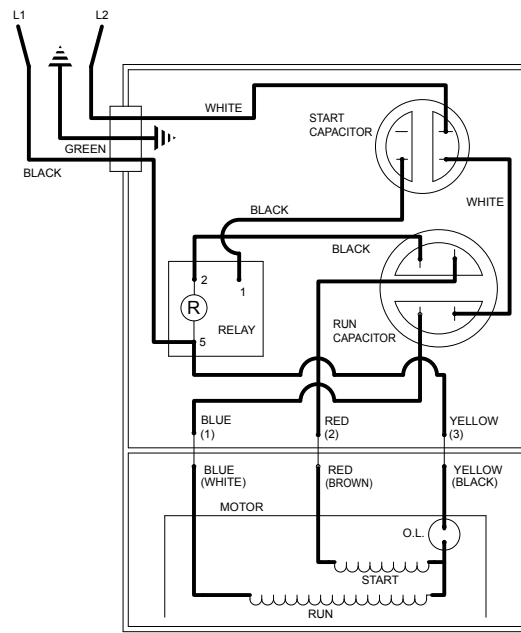
**FIGURE 5.**

### AUTOMATIC WIRING DIAGRAM



010415

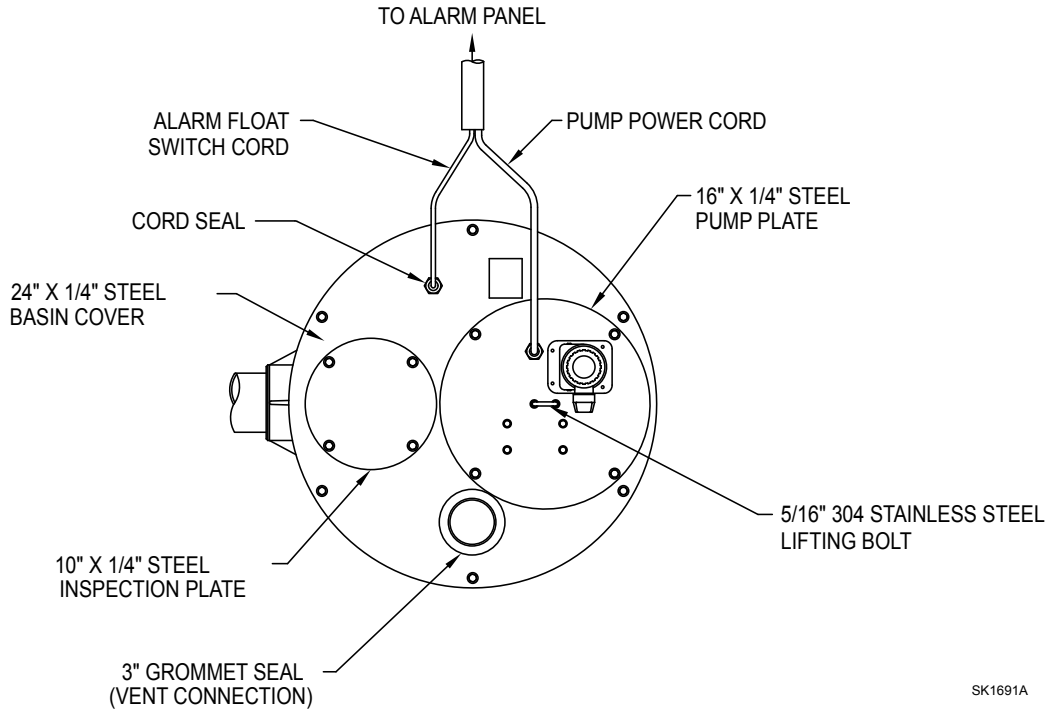
### NONAUTOMATIC WIRING DIAGRAM



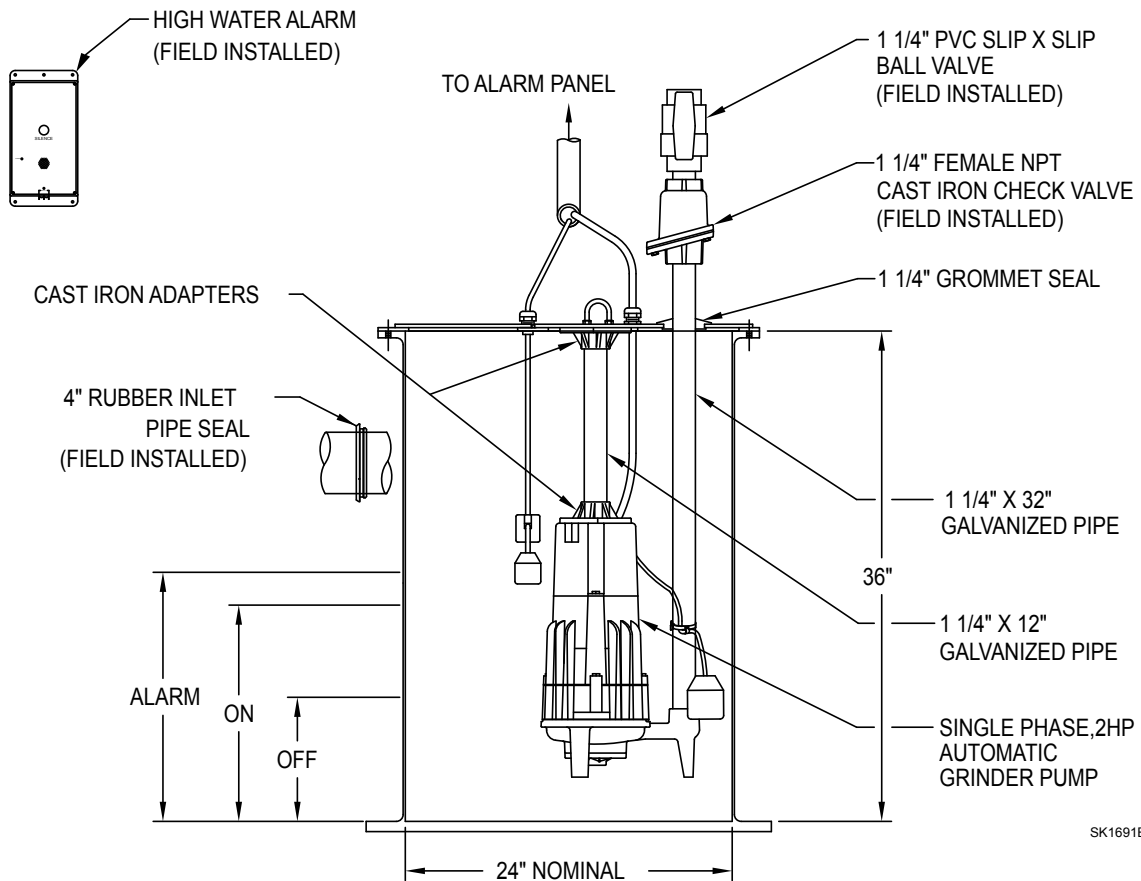
010443

# Indoor Prepackaged System

**FIGURE 2.**



All installations must comply with all applicable electrical and plumbing codes, including but not limited to the National Electrical Code, local, regional and/or state plumbing codes, etc.



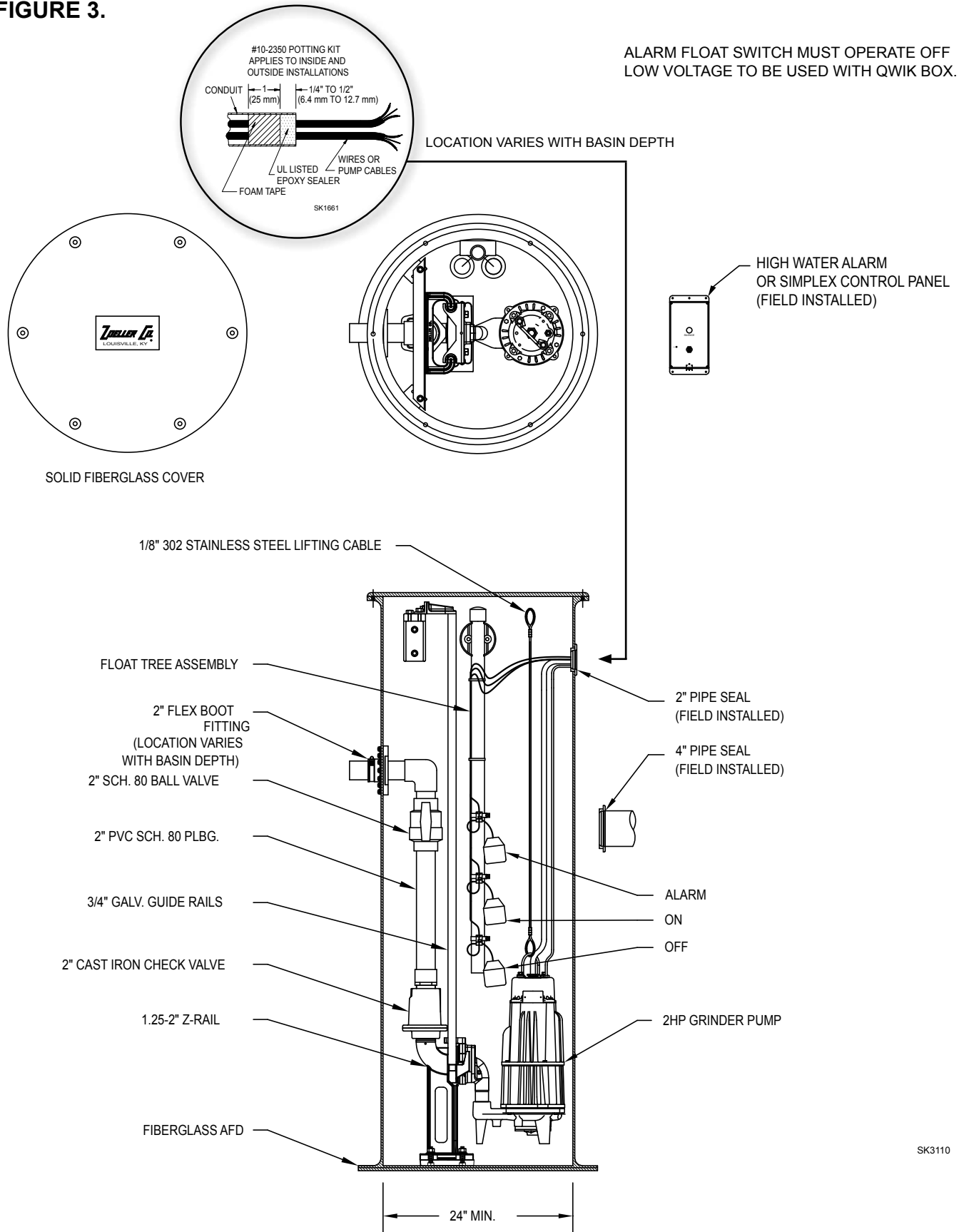
## Indoor Prepackaged System Installation Instructions

**▲ NOTICE** This set of instructions is for factory prepackaged indoor systems only. If your system is a field assembled indoor system, use these instructions as a guideline. If your system is an outdoor system then go to the next section in this manual that covers outdoor systems.

1. Indoor grinder pump systems are for installing at grade in an indoor application only. If you will be installing this system outside next to the residence then you will need an outdoor system. **DO NOT INSTALL THE INDOOR SYSTEM OUTDOORS.**
2. Review the drawing in Fig. 2 on page 6 and the actual system to become familiar with the components in the grinder pump system. Review where the unit will be installed. Determine where the power feed, inlet pipe, discharge pipe and vent will be located.
3. Remove the unit from the packing. Indoor prepackaged systems are preassembled at the Zoeller Company and require a minimum of field assembly work. All work inside the basin can be performed via the inspection port. There should be no reason to remove the cover from the basin. Pump and float switches are already set inside the basin.
4. Remove the inspection plate from the cover. All floats are set and tethered for proper operation from the factory. Verify that where the float switches are set will work for your application. Verifying that the float switches are set properly and will not hang up inside the basin is the responsibility of the installing contractor. Float switches are tied in place for shipping purposes. Cut the cable tie around each float switch bulb or the unit will not operate properly.
5. Dig a hole for the basin. The basin should be located in a very low traffic area within 15' of the power disconnect. The hole should be at least 8" larger in diameter than the basin in order to leave 4" of backfill all the way around the perimeter. A minimum of 4" of compacted subbase is also required. Backfill and subbase should be 1/8" to 3/4" pea gravel or 1/8" to 1/2" crushed stone. Also reference the basin installation instructions included with the unit.
6. The 4" inlet hub should be located between the top lip of the basin and the alarm float "on" level with a minimum distance of 10 inches between the floor of the basin and hub. Determine the location of the inlet hub based upon your inlet pipe arrangement. The inlet hub must be used with 4" pipe. It is best to install the inlet on the side of the basin opposite the float switches. To install, use a 4" hole saw to drill into the side of the basin at the correct elevation. Center the hub inner diameter with the hole in the basin. Attach the hub to the side of the basin using the sealant and hardware provided.
7. Set the basin in the hole and connect the 4" inlet pipe to the inlet hub using the rubber insert. If using a cast iron hub, the 4" inlet pipe will need to be caulked or gasketed to the hub. Backfill around the basin with specified media. Care should be taken not to damage components or leave voids when backfilling. Finish grade of floor should be poured in place around the top 6" of the basin assembly.
8. Connect the discharge pipe, valves and vent according to all applicable National, State and Local plumbing codes.
9. Mount the alarm panel on the wall above the system. Connect the alarm float switch and pump power cord.
10. Clean any debris out of the basin. Fill the basin with water and check the system for proper operation.
11. Record system start-up data for future reference.
12. Seal and secure the inspection plate to the lid using the proper bolts and sealant. Pouring concrete around the system can now be completed.

# Typical Outdoor Grinder Pumping System Installation

**FIGURE 3.**



All installations must comply with all applicable electrical and plumbing codes, including but not limited to the National Electrical Code, local, regional and/or state plumbing codes, etc.



## Outdoor Prepackaged System Installation Instructions

**▲ NOTICE** This set of instructions is for factory prepackaged outdoor grinder systems with Square Guide Rail system. If installing a Z-Rail® Package or a field assembled outdoor system you can use these instructions as a guideline. If this is an indoor system then go back to pages 6-7 in this manual that covers indoor systems.

1. Review the drawing in Fig. 3 on page 8 and the actual system to become familiar with the components in the packaged grinder pump system. Review where the unit will be installed. Determine where the power feed, inlet pipe, and discharge pipe will be located.
2. Remove the unit from packing. Prepackaged outdoor systems are preassembled at the Zoeller Company and require a minimum of field assembly work. Float switches are set and tethered for proper operation from the Factory. Systems using an automatic unit, WD or WH series, have an integral "on/off" float switch. See Fig. 4 on page 5 for adjustment instructions. The alarm switch should be located 3" above the pump "on" level. Three float systems used with a control panel are placed at 27", 24", and 15" from the bottom of the basin. Four float systems used with a control panel are placed at 30", 27", 24", and 15" from the bottom of the basin. If the invert location is at or below the level of the float switches, contact the factory.
3. Float switches are tied in place for shipping purposes on all model prepackaged systems. Cut the cable tie around each float switch bulb or the unit will not operate properly. Verify that where the float switches are set will work for your application. **Verifying that the float switches are set properly and will not hang up inside the basin is the responsibility of the installing contractor.**
4. Dig a hole for the basin. The hole should be at least 24" larger in diameter than the basin diameter to provide 12" of backfill all around and deep enough to provide either 12" of compacted backfill or 6" when a concrete pad is required. **Note: Care must be taken when excavating in order to avoid underground utilities and disturbance of existing structure foundations. The hole should be located at least ten feet from adjacent structures. Additional distance may be required to sufficiently locate the basin outside of the loading area of the adjacent structures.**
5. The location of the inlet hub is determined by the depth of the inlet pipe. The inlet hub must be used with 4" pipe. It is best to install the inlet on the side of the basin opposite the float switches. To install, use a 4" hole saw to drill into the side of the basin at the correct elevation. Center the hub inner diameter with the hole in the basin. Attach the hub to the side of the basin using the sealant and hardware provided.
6. The bottom of the excavation can now be properly backfilled, compacted and leveled. Set basin in hole. Ensure the removable cover extends above the finished grade line and the grade slopes away from the unit. Backfill and subbase should be 1/8" -3/4" pea gravel or 1/8" -1/2" crushed stone.

(Reference basin installation instructions included with unit.)  
Connect the 4" inlet pipe to the inlet hub.
7. Pouring a concrete anchor around system can now be completed. Basin should be filled with water when pouring concrete to minimize movement of the system. Backfill around basin with specified media. Care should be used to avoid damaging components or leaving voids when back filling. Refer to Basin installation reference guide on more specific requirements.
8. PVC or HDPE discharge piping is connected to the 1/4" threaded fitting located in the basin sidewall. Support discharge piping with sufficient backfill.
9. On basin depths of 72" and greater, the system's disconnect assembly is shipped loose and must be screwed into the discharge piping. Apply pipe dope to threaded connection.
10. Connect pull rod to Pump assembly. Connect lift cable to top of pump. Lower the pump into basin ensuring the discharge pipe bracket slides into the disconnect fitting.
11. **Note: The grinder basin is a sewage holding tank. Vent connection should be installed in accordance with all national, state and local plumbing codes.**
12. Dig a trench for the electrical conduit. The conduit should be located below the frost line. Follow all applicable electrical codes.
13. Connect electrical conduit and wiring to junction box according to wiring instructions included in this manual and wiring diagram in box. Use the potting kit provided with the junction box. Follow the instructions for sealing the conduit connection at the junction box.
14. Mount the control panel within sight of the system. Connect float switches and pump cords according to the "Pump Wiring Instructions" found later in this manual and located inside the panel enclosure.
15. Remove any debris from the basin. Using clean water, check the system for proper operation.
16. Seal and secure the lid using the proper bolts and sealant when using a lid without a formed gasket.
17. Test system for leaks and proper pump operation.
18. Record system start up data for future reference.

# Operation

## GENERAL

Zoeller pumps are lubricated and tested at the factory prior to shipment and require minimum pre-start-up maintenance.

Maximum operating temperature of pump liquid for grinder pumps must not exceed 130°F (54°C).

These units are designed for intermittent duty sanitary sewage applications. If pump is used to dewater areas or pump liquids with heavy or abrasive materials, the warranty will be voided.

## NAMEPLATE DATA

The nameplate, located on the top of pump, indicates specific information about the construction of the pump. The model number and date code information should be recorded on the front page in the "Owner's Information" section of this manual.

## SHORT TERM STORAGE

**Do not install pump until permanent electrical power is available and system is operational.** When not in use, the pump should be stored, and the following is advised:

- Store pump inside whenever possible or cover with some type of protective covering.
- Tape or seal in plastic bag the terminal ends of wire leads.
- Spray coat unpainted surfaces with rust inhibiting oil.
- The impeller should be rotated every six months in order to keep the seals lubricated and not develop a permanent set.

If panel is to be stored, the following is advised:

- Store the panel inside whenever possible and leave in the shipping box.
- All openings shall be sealed.
- Store in an upright position.
- Do not stack anything on top of panel.

## START-UP PROCEDURE

Before placing the equipment into operation the following should be checked:

- Clean pit.
- Pump, float switches, electrical cables and junction box are dry and properly installed.
- Electrical boxes dry, sealed and securely installed.
- Floats positioned properly.
- Discharge valves open.
- 3/16" vent hole drilled in pipe between check valve and pump.

Once the above has been verified proceed with the following checks:

- Pump power cables and control floats properly installed and voltage verified.
- Conduit connections to panel and junction box are properly sealed.
- After installing the pump into the containment area, with adequate submergence, open the discharge valve fully. Start the unit using manual controls. If flow is appreciably less than rated performance, pump may be air locked. To expel trapped air, jog the unit several times, using the manual controls.
- Have a qualified electrician take voltage and current measurements with the pump running. Record these readings in the space provided in the "Owner's Information" section on page 1 of this manual for future reference.

## ADJUSTMENT PROCEDURE

Pumps: No adjustments are required.

Floats: Refer to Fig. 4 on page 5 or to the panel wiring schematic for desired location of each float switch setting.

Valves: Discharge valves should be placed in the fully open position. Systems should not be operated for extended periods of time with the discharge valves partially closed due to damaging the valve.

## SHUTDOWN PROCEDURES

If a system is shutdown for more than six months, the following is recommended:

Pumps: If pit is to remain dry, then the pump can remain in the pit. With the pump in the pit, it should be operated for five minutes once every three months. If the pit is to remain wet, the pump should be removed and stored as noted above.

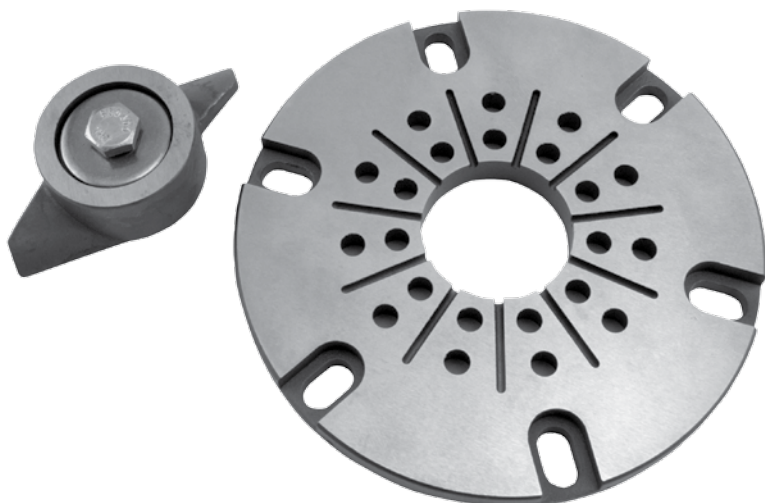
Panels: The panel should have all openings sealed to prevent moisture and dust from entering the enclosure. Prior to restarting system, the panel should be inspected for presence of moisture and any loose connections.

Valves: Consult the valve/actuator supplier for information concerning these systems components.

## Cutter Maintenance

1. **All power circuits must be disconnected and locked out before any attempts are made at servicing.** The cutter and disc can be removed and sharpened by grinding the cutting faces. Both cutter and disc must be removed from the pump. Removal of these parts can be accomplished in the field by removing pump from the sump and positioning horizontally to access the intake of the pump. If seals or other repairs are required, the pump must be totally removed and serviced in a shop by a qualified pump technician or authorized service center.
2. Remove the three countersunk screws on the ring.
3. Thoroughly clean the cutter and disc assembly. Tilt pump back to the vertical position to make certain the end play has been removed. Check and record the clearance between the cutter and disc with a feeler gage. The correct running clearance is between 0.004" and 0.008".
4. With pump in horizontal position, heat the hex head bolt in the center of the cutter with a propane torch. The bolt must be heated to 350° F to soften the thread lock sealer on the bolt for ease of removal. Remove the bolt by turning in a counterclockwise rotation. It will be necessary to use a wood block to prevent the cutter from turning while removing the bolt. Pull cutter from the shaft and remove the spacer shims located behind the cutter.
5. Remove the six cap screws holding the disc and remove disc from the pump.
6. The disc and cutter can be replaced with new service parts or resurfaced by grinding. Resurfacing is accomplished by surface grinding both disc and cutter to a 32 micro finish. Do not attempt grinding in the field. Send parts to a qualified machine shop or return to the factory for repair. The disc, cutter and shims are a matched set. Keep parts together. Measure disc before and after resurfacing with micrometer and record measurements.
7. After resurfacing, the disc and cutter must be flat within 0.001". If the disc has been surface ground, it will be necessary to remove shims to compensate for the material removed from the disc. As a starting point, remove shims of the same thickness as the amount machined from the cutter disc (step 6 above). Final running clearance must be between 0.004" and 0.008". Be sure pump is in vertical position and all end play has been removed before measuring.
8. Clean bottom of pump where disc is located and replace disc and retainer screws. Torque to 63-67 in.-lbs. Replace cutter with the correct shims. Install washer and torque hex head bolt to 71-75 in.-lbs. Apply Loctite 262 thread-lock sealant or equal to bolt threads prior to insertion. Check running clearance with pump in vertical position to remove end play. Clearance must be between 0.004" and 0.008" to obtain efficient grinding when pump is put back in service.
9. Replace six cap screws.
10. Check the oil in the motor housing before reinstalling. Contact the factory if the oil has a milky appearance or burnt smell. The level should be even with the fill plug when pump is in the upright position. Add oil if required. Use insulating oil supplied by the factory.

**FIGURE 6.**



To remove cutter: Heat the center bolt to 350°F to loosen Loctite® thread sealant.

Grind the Cutter and Disc seen here to a 32 microfinish. Surfaces must be flat to within 0.001" T.I.R. Gap must be between 0.007" and 0.012" on these parts.

## General Maintenance

**▲ NOTICE** Repair and service should be performed by a Zoeller Pump Company Authorized Service Station only.

### SAFETY PROCEDURES



**▲ WARNING** For your protection, always disconnect pump and panel from its power source before handling.



**▲ WARNING** Never enter the basin until it has been properly vented and tested. Any person entering a basin should be wearing a harness with safety rope extending to the surface so that they can be pulled out in case of asphyxiation. Sewage water gives off methane and hydrogen sulfide gases, both of which can be highly poisonous.

Installation and checking of electrical circuits and hardware should be performed by a qualified electrician.

Pump is never to be lifted by power cord.



**▲ WARNING** Unit must be cleaned and disinfected, inside the pumping chamber and all exterior surfaces, prior to servicing.

### GENERAL SYSTEM INSPECTION

Before the system is placed into operation, it should be inspected by a qualified technician.



**▲ WARNING** Wiring and grounding must be in accordance with the National Electrical Code and all applicable local codes and ordinances.

### LUBRICATION PROCEDURES

No lubrication is required.

If pumps are to be stored for more than six months, refer to short term storage procedure in the Operation section.

### PREVENTIVE MAINTENANCE

Preventive maintenance is recommended to ensure a long service life from the product. Provided is a suggested maintenance schedule.

#### Every six months:

- Inspect and test system for proper operation.
- Check for proper and unobstructed float operation.
- Listen for proper check valve operation.

#### Every 5 years or 10,000 hours of operation:

- Remove pump, inspect and service using a Zoeller rebuild kit.
- Flush and clean basin.

## Service Checklist



**▲ WARNING** Electrical precautions. Before servicing a grinder pump, always shut off the main power circuit. Make sure you are wearing insulated protective sole shoes and not standing in water. Under flooded conditions, contact your local electric company or a qualified licensed electrician for disconnecting electrical service to the pump prior to removal.



**▲ WARNING** Grinder pumps contain oil which becomes pressurized and hot under operating conditions. Allow 2½ hours after shut down before servicing pump.

Condition	Common Causes
A. Pump will not start or run.	Blown panel or circuit breaker fuse, low voltage, thermal overload open, defective capacitor circuit, cutter or impeller clogged, float switch held down or defective, incorrect wiring in control panel, water in cap assembly.
B. Motor overheats and trips on overload.	Incorrect voltage, impeller or cutter blocked, negative head (discharge lower than intake of pump). Defective "off" float. Pump runs continuously at low water level. Low oil level in motor shell.
C. Pump will not shut off.	Air lock, debris under float assembly, defective switch, incoming sewage exceeds capacity of pump.
D. Pump operates but delivers little or no water.	Intake clogged with grease or sludge, pump air locked (clear vent hole), low or incorrect voltage, clogged discharge line, operating near shut-off head.
E. Pump starts and stops too often.	Check valve stuck open or defective. Sump pit too small to handle incoming sewage. Level control out of adjustment. Thermal overload tripping.
F. Large red flashing light comes on at control box.	High water in pit. Check pump for clogging, or overload trip. On single phase pumps, check the start capacitor in the control panel. See "A" and "D" above.
G. Grease and solids accumulate in pit around pump.	Break up solids and run pump with water running into the pit. Allow level to lower to the pump intake. Continue until solids are cleared from the pit. Do not drain kitchen grease down the sink.

If the above checklist does not uncover the problem, consult the factory. Do not attempt to service or otherwise disassemble pump. Service must be performed by Zoeller Authorized Service Stations. Go to [www.zoellerpumps.com/servicestations](http://www.zoellerpumps.com/servicestations) to find the Authorized Service Station in your area.