

Product information presented here reflects conditions at time of publication. Consult factory regarding discrepancies or inconsistencies.



PUMP COMPANY

Zoeller Family of Water Solutions™

MAIL TO: P.O. BOX 16347 • Louisville, KY 40256-0347
SHIP TO: 3649 Cane Run Road • Louisville, KY 40211-1961
(502) 778-2731 • 1 (800) 928-PUMP • FAX (502) 774-3624

visit our web site:
www.zoeller.com

REPLACEMENT PARTS LIST FOR MODELS:

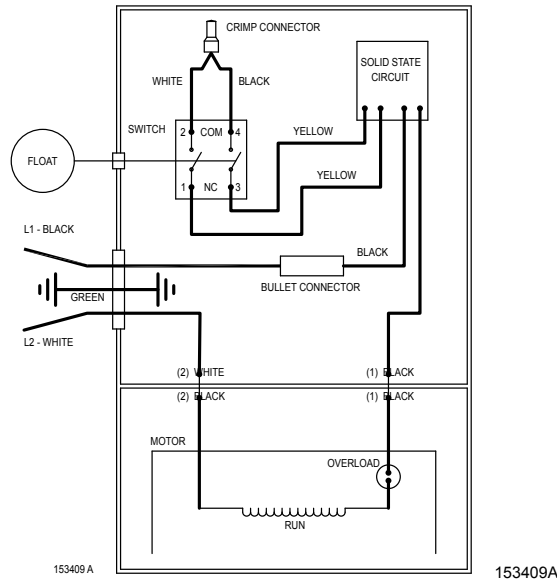
M63 AUTOMATIC 115V

Consult factory for all other models.

TO ORDER REPLACEMENT PARTS:

PLEASE FURNISH THE FOLLOWING INFORMATION:

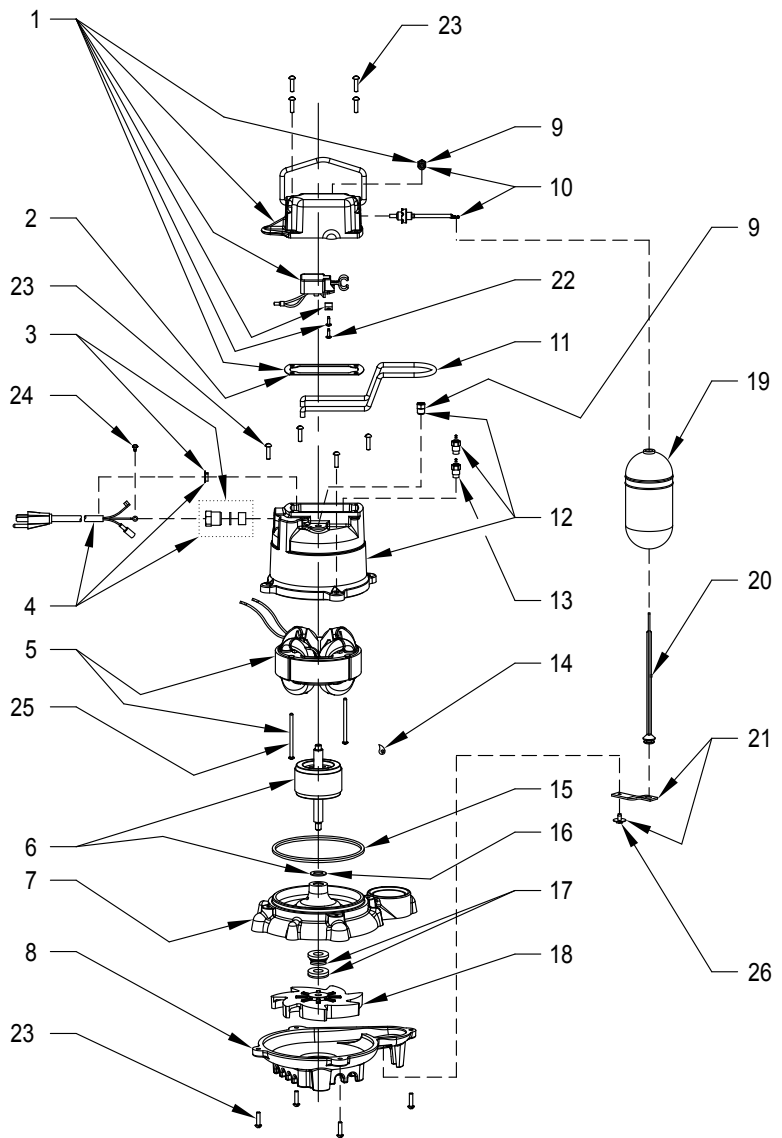
- Model number
- Part number of pump.
- Part number and description of part



WIRING DIAGRAM FOR MODEL
"M63"
1/16 thru Current

REPLACEMENT PARTS LIST AND ILLUSTRATION FOR MODEL "M63".

MODELS: M63-A			
REF NO.	DESCRIPTION	QTY	NOTES
1	Case and switch assembly	1	1/16 thru Current
2	• Gasket, Case/Cover	1	034046
3	• Cord seal assembly	1	153861
4	Cord assembly	1	153862
5	Stator and screws	1	007951
6	Rotor assembly	1	054032
7	Pump housing	1	057018
8	Base	1	057029
9	• Test plug - silver	2	153855
10	• Arm and seal assembly	1	154472
11	Guard	1	004645
12	Motor housing assembly	1	154433
13	• Thru wall terminal seals	2	003402
14	• Dielectric oil (19 oz)	1	002588
15	• Motor housing seal	1	034007
16	• Rotor thrust washer	1	002140
17	• Shaft seal assembly	1	267027
18	Impeller "57"	1	057010
19	Float	1	153338
20	Float rod	1	153336
21	Float rod guide assembly	1	034086
22	• Screw, #6-32 x 7/16 Pan head phillips	2	004644
23	• Screw, #10-24 x 3/4 round head slotted SS	12	001885
24	• Screw #6-32 x 1/4 round head slotted green SS	1	001877
25	• Screw, stator 8-32 x 2-17/32	2	001914
26	• Screw, Sem fastener 10-24 x 3/8 slotted hex head - 11/16 washer	1	002000
□	Rebuild kit "63" (1/15 thru current)	1	153865



• Items included in Rebuild Kit. □ Not Shown in Illustration.

SK3100

NOTES:

- 1) See FM0160 Parts Price Sheet for listing of parts prices.
- 2) "NA" indicates, not applicable.
- 3) If an "X" follows Model No., or Date Mfg. on brass ID tag, consult factory for ordering any parts.



PUMP COMPANY

MAIL TO: P.O. BOX 16347 • Louisville, KY 40256-0347
 SHIP TO: 3649 Cane Run Road • Louisville, KY 40211-1961
 (502) 778-2731 • 1 (800) 928-PUMP • FAX (502) 774-3624

Your Peace of Mind is Our Top Priority®

visit our web site:
www.zoeller.com