

NOTICE TO INSTALLER: Instructions must remain with installation.

Trusted. Tested. Tough.®

Product information presented here reflects conditions at time of publication. Consult factory regarding discrepancies or inconsistencies.



FM2943
0121
Supersedes
1120

MAIL TO: P.O. BOX 16347 • Louisville, KY 40256-0347
SHIP TO: 3649 Cane Run Road • Louisville, KY 40211-1961
TEL: (502) 778-2731 • 1 (800) 928-PUMP • FAX: (502) 774-3624

Visit our website:
zoellerpumps.com

APak® Z Control® Enabled ALARM INSTALLATION INSTRUCTIONS

For indoor use only.

All electrical and safety codes must be followed including the National Electrical Code and all applicable local codes.

Do not connect powered devices to inputs.

SPECIFICATIONS

This alarm unit monitors liquid levels in lift pump chambers, sump pump basins, holding tanks, and other non-potable water applications. In addition, the Z Control® Enabled version of the APak® can connect to the Z Control® Cloud with its built-in Wi-Fi®. It features a green Power On LED, red Input 1 and Input 2 LEDs, an audible buzzer, normally closed dry contacts, and a Silence/Reset/Test button. The APak® plugs into a 120 V, 60 Hz receptacle. Battery backup power is applied by 2 standard alkaline AA batteries, which are not included and must be purchased separately.

ALARM UNIT INSTALLATION

- 1) Before installing alarm, remove the 4 cover screws to access battery compartment (see Figure B) and install 2 AA standard alkaline batteries, not included.
- 2) Mount the alarm unit securely.
- 3) Plug transformer's barrel connector into the APak®. Secure power cord so it does not interfere with or obstruct any other devices.
- 4) Plug transformer into standard 120 V AC, 60 Hz receptacle. A loud beep will occur when completing this step.

NOTE: The APak® Alarm should be connected to a circuit separate from the pump circuit.

Some installations may require the APak® alarm to be powered by batteries only or by AC power only. For appropriate alarm behavior in such installations, see the following chart.

Power choice	Resulting alarm behavior	Do this
AC & batteries	Alarms for power outage and low battery.	Insert batteries and connect to power.
AC only	Low battery alarm disabled.	Hold button while powering up the alarm for about 5 seconds until a single beep is heard, then release the button. This setting will be remembered by the alarm even after a power outage. If this setting is no longer desired, simply adding batteries will remove this setting.
Batteries only*	Power outage alarm disabled.	Insert batteries. The alarm will not detect loss of AC power if it is never applied.

*LED, alarm, and Z Control® connectivity have different behaviors in battery-only mode. See chart on page 7.

Figure A

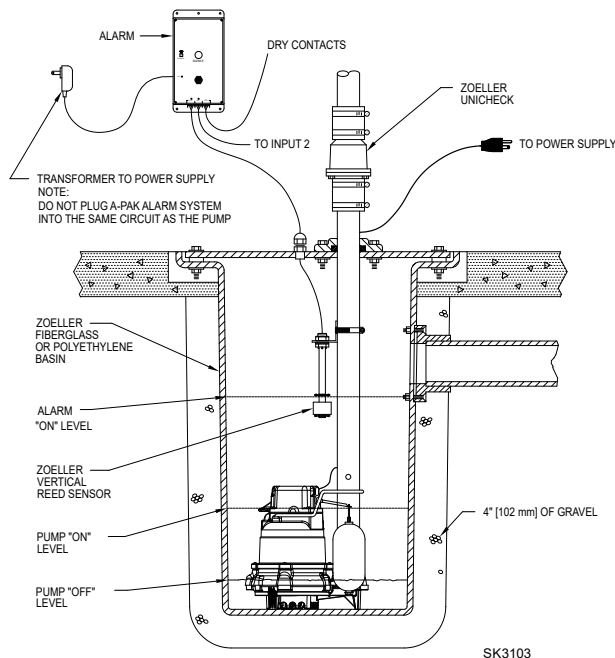
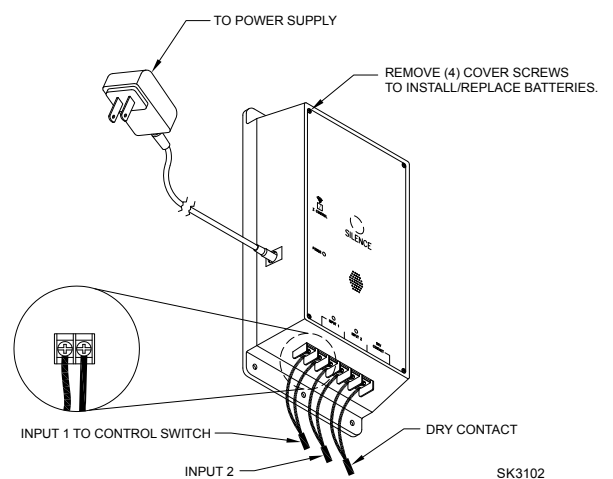


Figure B



Wi-Fi® is a registered trademark of Wi-Fi Alliance®.

10-4013 pictured

LIMITED WARRANTY

Manufacturer warrants, to the purchaser and subsequent owner during the warranty period, every new product to be free from defects in material and workmanship under normal use and service, when properly used and maintained, for a period of 5 years from date of purchase by the end user. Parts that fail within the warranty period, that inspections determine to be defective in material or workmanship, will be repaired, replaced or remanufactured at Manufacturer's option, provided however, that by so doing we will not be obligated to replace an entire assembly, the entire mechanism or the complete unit. No allowance will be made for shipping charges, damages, labor or other charges that may occur due to product failure, repair or replacement.

This warranty does not apply to and there shall be no warranty for any material or product that has been disassembled without prior approval of Manufacturer, subjected to misuse, misapplication, neglect, alteration, accident or uncontrollable act of nature; that has not been installed, operated or maintained in accordance with Manufacturer's installation instructions; that has been exposed to outside substances including but not limited to the following: sand, gravel, cement, mud, tar, hydrocarbons, hydrocarbon derivatives (oil, gasoline, solvents, etc.), or other abrasive or corrosive substances, wash towels or feminine sanitary products, etc. in all pumping applications. The warranty

set out in the paragraph above is in lieu of all other warranties expressed or implied; and we do not authorize any representative or other person to assume for us any other liability in connection with our products.

Contact Manufacturer at, 3649 Cane Run Road, Louisville, Kentucky 40211, Attention: Customer Support Department to obtain any needed repair or replacement of part(s) or additional information pertaining to our warranty.

MANUFACTURER EXPRESSLY DISCLAIMS LIABILITY FOR SPECIAL, CONSEQUENTIAL OR INCIDENTAL DAMAGES OR BREACH OF EXPRESSED OR IMPLIED WARRANTY; AND ANY IMPLIED WARRANTY OF FITNESS FOR A PARTICULAR PURPOSE AND OF MERCHANTABILITY SHALL BE LIMITED TO THE DURATION OF THE EXPRESSED WARRANTY.

Some states do not allow limitations on the duration of an implied warranty, so the above limitation may not apply to you. Some states do not allow the exclusion or limitation of incidental or consequential damages, so the above limitation or exclusion may not apply to you.

This warranty gives you specific legal rights and you may also have other rights which vary from state to state.

CONTROL SWITCH INSTALLATION VERTICAL REED SENSOR (10-4013)

⚠ WARNING DO NOT install sensor in direct line of incoming liquid.

- 1) Fasten sensor to right-angle mounting bracket by unthreading plastic nut. Re-tighten plastic nut after inserting sensor stem in bracket (see Figure C).
- 2) Locate sensor at desired activation level and secure mounting bracket to the discharge pipe as shown (see Figures C, D, and E) using supplied hose clamp. **NOTE: DO NOT** install cord under hose clamp.
- 3) Secure sensor cord to discharge pipe. Be sure not to leave any loose cord that could rub against and obstruct other devices in basin assembly. **NOTE:** Create a cable strain relief when securing the control switch cord by fastening a 2" (50 mm) loop of the cord to the pipe with a cable tie or tape. Be sure sensor float moves up and down without interference.

CLAMP & BRACKET DETAIL

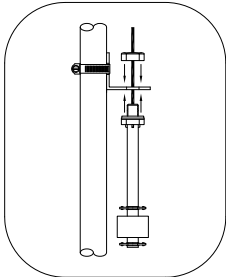


Figure C

SK1301E

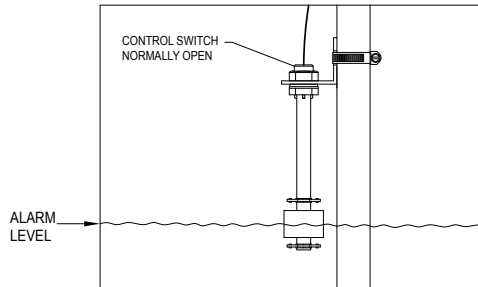


Figure D

SK1301D

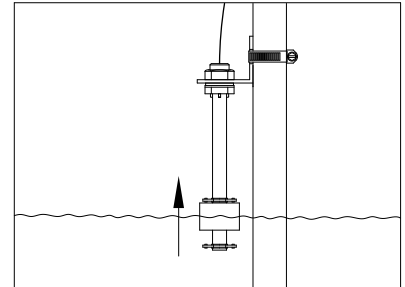


Figure E

SK1301E

NOTE: Alarm system 10-4014 is recommended for sewage applications. If a 10-4013 is used in a sewage application, the float should be inspected and cleaned as necessary after any high water incident.

MECHANICAL FLOAT SWITCH (10-4014)

- 1) Place cord into clamp and secure to discharge pipe as shown in clamp detail (see Figure F). **NOTE:** Do not install the cord under the hose clamp.
- 2) Tighten the hose clamp with a screwdriver. **NOTE:** Do not over tighten; over-tightening may cause damage to the plastic clamp.
- 3) Make sure the float cable is not allowed to touch the excess hose clamp band during operation.
- 4) The float switch must be suspended 7" (17.8 cm) below desired activation level (see Figure G).
- 5) Be certain that installation of float allows for unobstructed range of motion.

LIFT PUMP

Suspend control switch above pump turn on level. If a pump failure causes high-level condition, the APak® Alarm System will activate (see Figure A).

HOLDING TANK

Suspend control switch into tank 7" (17.8 cm) below desired alarm level. APak® Alarm System will activate if float ascends to alarm level (see Figure G).

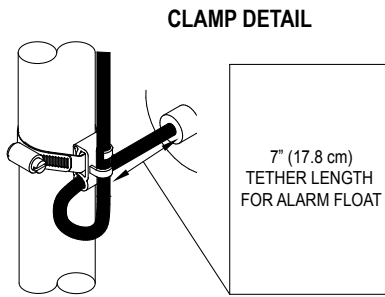


Figure F

SK1301F

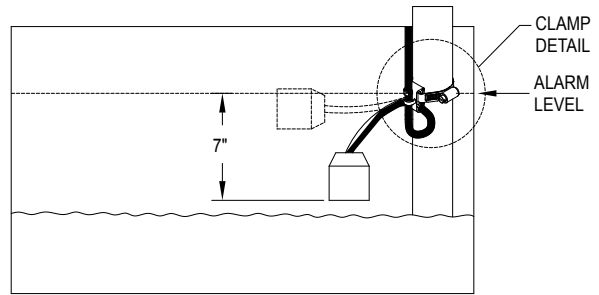


Figure G

SK1301G

CONTROL/MECHANICAL SWITCH WIRING

Connect the two conductors from the control or mechanical switch to either pair of input terminals on the bottom of the alarm unit (see Figure B). The control switch operates on low voltage to reduce shock hazards. The second input may be used to connect a second switch or dry contacts from another device.

OPERATION AND TESTING

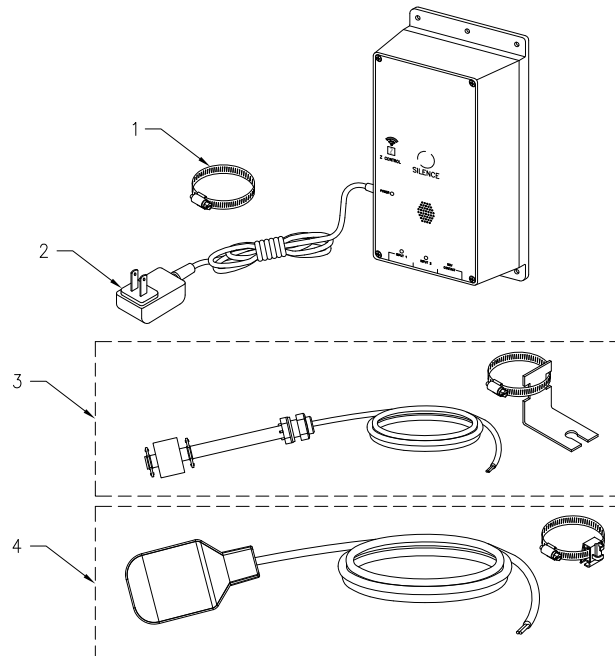
Check and test your installation by lifting the float manually (see Figure E or G). The alarm unit will indicate an alarm condition by beeping and lighting a red LED above "Input 1". The alarm may be silenced for 24 hours* by briefly pressing the Silence button. Once silenced, the LED changes to a flashing state and the audible horn will not sound. Once the high water condition is remedied, the alarm should be reset by holding the Silence button for 2 seconds. Zoeller Company cannot be responsible for damages caused by faulty or negligent installation of this device. We respectfully suggest you engage the services of a qualified, licensed electrician or service person. Hold the Silence button for more than 4 seconds to test once per week to verify proper operation.

For units without internet connectivity, see the standard APak® 10-4011, 10-4012.

During a power outage, the APak® will beep every 30 seconds until the power is restored. If a high water alarm occurs during power outage with batteries installed, the alarm will sound every 5 seconds.

**24 hours is the default setting. This and other settings may be changed from Z Control® Cloud.*

		Models	10-4013-A	10-4014-A
Item	Description	Qty	3/16 thru Current	3/16 thru Current
1	Clamp, #36 worm-SS	1	001766	001766
2	Supply, power (service part)	1	154018	154018
3	Switch, vertical reed (service part)	1	154033	N/A
4	Switch, mechanical float	1	N/A	10-2060



CONNECTING THE APak TO Z CONTROL®

By connecting the APak to the Z Control® Cloud using the built-in WiFi, the user can set up free alert messages via email, text, and mobile app “push” notifications. In addition, the user can verify the APak’s readiness, remotely silence alarms and reset the unit, configure settings, and modify how notifications are sent. Other visual information such as input status and battery level are available through the web and app interfaces.

There are 2 ways to connect the APak to the Z Control® cloud.

1. The simplest method is to use the Z Control® mobile app. These instructions are below under “Use the Mobile App”.
2. The second method is to use your mobile device or computer to connect to the APak directly. Instructions for connecting directly are provided below under “Use Your Mobile Device Or Computer To Connect Directly To The APak”.

Use the Mobile App (iOS and Android)

Before you begin:

- Know what your WiFi network is named (i.e. its SSID) and its password. Double check you know the correct password and exactly how it is spelled, including capitalization. This will prevent the most common troubleshooting issues.
- Verify that your mobile device has working WiFi and detects a strong signal from your WiFi network when you are standing next to the APak. If the signal is questionable, your network may not be able to provide a stable connection for the APak.
- Verify your WiFi network is connected to the internet and that it is broadcasting a visible, secure, 2.4Ghz network.
- 2.4 Ghz network is required. If you only see 5 Ghz networks, you may need to log into your dual band router to choose to broadcast the networks separately.
- Band steering may need to be temporarily turned off during setup.
- The 2.4Ghz network must use WPA or WPA2 security. WEP and Open networks are not compatible with the APak.
- Any VPNs or other network controls may need to be temporarily turned off during setup.
- Locate the APak’s Device ID and data matrix on the top sticker.
- Like most internet connected devices, the APak’s WiFi connectivity should be used behind a secure firewall. Most routers have a firewall built into them. Consult a networking professional for specific questions about firewalls.
- *The above list also helps to troubleshoot connectivity issues.*

These basic instructions will not detail every step, but provide an overview of what the app will do.

1. Open the app, sign in to your account, or create an account using the link at the bottom. Open your profile to set up any additional phone numbers or email addresses where you would like to receive notifications.
2. Once you’re logged in to your account, create locations by touching the “+” from the Locations screen. When ready to add a device, choose the desired location name and then touch the “+” to start adding a device. Allow access to the camera so you can scan the data matrix.
3. Now the app will provide several instruction screens about scanning the data matrix, joining the APak’s network, and then LEAVING the app and how to come back.

Rather than scan the data matrix, the user may instead enter the APak’s Device ID to get started. Ignore warnings your mobile device may give you about “unsecure network” or “no internet connection”. The app is connecting directly with the Z Control® equipment, and therefore no security or internet connection is necessary.

4. When the captive screen opens (see Figure J in next section), use the Wifi Scan button to find the Wifi network you want the APak to use, select it from the list provided at the bottom of the screen (you may need to scroll), and type the Passphrase in the field. The Z Control® LED should be solid within a minute indicating successful connection to the router and the Z Control® Cloud. Upon first connecting to the cloud, the APak controller may immediately update its firmware over the air (OTA), if an update is available. If an update is taking place, the Z Control® LED will flicker for up to 1 minute while the update is downloaded. The Z Control® LED will be solid and all other LEDs will turn off while the update is being installed. After up to 1 minute, the APak will restart and return to normal operation. The APak’s alert history on the Z Control® Cloud will also be updated with the firmware update information, and notification to email accounts will occur.
5. You now should go back to the Z Control® app to find your new device set up in the location you previously selected. You can always change a device to a different location in your account.
6. Open the APak and explore current status and configuration settings.

Use your mobile device or computer to connect directly to the APak controller

Instead of using a mobile device and the Z Control® app, you can also use your mobile device or computer to directly connect to the APak.

Before you begin:

- Know what your WiFi network is named (i.e. its SSID) and its password. Double check that you know the correct password and exactly how it is spelled, including capitalization. This will prevent the most common troubleshooting issues.
- Verify that your mobile device has working WiFi and detects a strong signal from your WiFi network when when you are standing next to the APak. If the signal is questionable, your network may not be able to provide a stable connection for the APak.

- Verify your WiFi router is connected to the internet and that it is broadcasting a visible, secure, 2.4Ghz network.
- 2.4 Ghz network is required. If you only see 5 Ghz networks, you may need to log into your dual band router to choose to broadcast the networks separately.
- Band steering may need to be temporarily turned off during setup.
- The 2.4Ghz network must use WPA or WPA2 security. WEP and Open networks are not compatible with the APak.
- Any VPNs or other network controls may need to be temporarily turned off during setup.
- Create a free account at zcontrolcloud.com.
- Locate the APak's Device ID on the top sticker.
- The above list also helps to troubleshoot connectivity issues.
- If the APak controller still will not connect after trying the above suggestions, follow the same steps to connect the APak to a mobile phone hotspot instead of the home's wifi router. If the APak successfully connects to the cloud through the hotspot, then the conflict likely has something to do with the router settings.

Connection Steps:

1. Apply AC Power to the APak. The Z Control® LED will blink and then turn off, indicating the APak is in AP Mode* and is transmitting an SSID (see Figure B). If the LED is blinking and not in AP mode, reset the APak by disconnecting power, hold the Silence button, restore power, wait 5 seconds and let go of the Silence button.

Figure H

This LED should be off when APak® is in AP mode.

When user is connected to APak® to set up Wi-Fi®, LED will blink.

When APak® is connected to router and Z Control® Cloud, this LED will be solid.

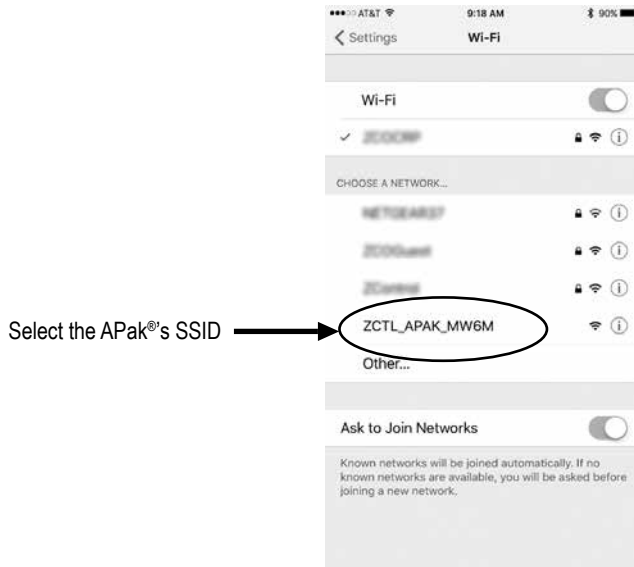
AC power must be used for AP mode to work



*AP Mode is when the APak® is broadcasting its "name", or SSID. The SSID is in the format ZCTL_ APAK_ xxxx where "xxxx" is the first 4 digits of your APak®'s Device ID. The APak®'s SSID will show up in your phone/tablet/computer's list of available Wi-Fi®, and selecting it will give you direct connectivity to the APak®. This is required in order to give the your APak® the password credentials needed to connect to the Wi-Fi® of your choice.

**Battery Only Mode. The APak® will not broadcast an SSID when powered by batteries (DC) only. It must have AC power to broadcast an SSID. Once the APak® is connected to Wi-Fi®, AC power may be removed if desired. Since the APak® has previously seen AC power and it has been removed, the APak® will now beep every 30 seconds indicating a power outage. To remedy, remove battery power for a moment, then reinsert batteries. The APak® will no longer alarm for AC Power Out (unless AC Power is again applied and then removed). The LEDs and alarm will behave differently than when AC is present in order to conserve battery power. In battery only mode, the APak® will check into the Z Control® Cloud far less often in order for the batteries to last for approximately 1 year.

Figure I



***AP Mode** is when the APak is broadcasting its “name”, or SSID. The SSID is in the format ZCTL_APAK_xxxx where “xxxx” is the first 4 digits of your APak’s Device ID (See Figure I). The APak’s SSID will show up in your phone/tablet/computer’s list of available WiFi networks, and selecting it will give you direct connectivity to the APak. This is required in order to give your APak the password credentials needed to connect to the WiFi network of your choice.

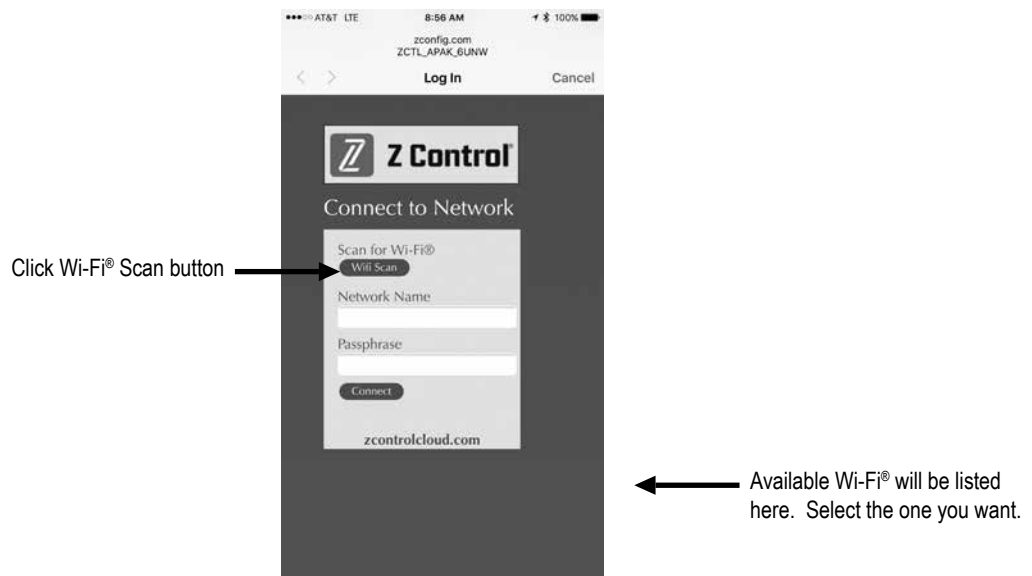
2. Standing near the APak, use your phone, tablet, or computer to look for the APak’s SSID in your WiFi settings (see Figure I). It will look like “ZCTL_APAK_xxxx” where “xxxx” is the first 4 digits of your APak’s Device ID. Select this, and be sure your device displays a check mark or similar indicator that you are connected to the APak’s local network. If so, 2 things will happen:
 1. The Z Control® LED will flash quickly.
 2. A Z Control® setup screen (See Figure J) will open. This may take up to 30 seconds.

If the setup screen does not appear, open a browser on the same device and type “192.168.125.1” in the address bar. If the setup screen appears but is not used (cancelled or otherwise closed), the APak will return to AP mode and the Z Control® LED will turn off until the next WiFi setup attempt. If the setup screen still does not appear, verify your device is still connected to the APak’s SSID. If it isn’t, repeat Step 2 and be sure your device’s Wifi stays connected to the APak. If your device shows a warning message about no internet or no security on the APak’s network, ignore this and connect to it anyway.

3. On the setup screen (see Figure J), press the WiFi Scan button, scroll down to see the list of WiFi signals found, and choose the WiFi network you want the APak to use for internet connectivity. Enter the passphrase for the network you chose in the field indicated. If the passphrase is correct, the APak will connect to the network and start sending status updates to zcontrolcloud.com. You will see the Z Control® LED go from blinking to solid. This could take up to a minute or so.

If the LED does not turn solid, then the passphrase entered is incorrect, the router’s security is insufficient (see note below**), or some other network restriction is in place (see your network administrator). The APak will return to standby mode if the connection to router is not successful. If you need to force the APak into AP mode again, press the Z Control® button for 12 seconds (See Figure A). This will cause the APak to re-enter AP mode and begin transmitting its SSID again. Repeat Steps 2 and 3.

Figure J



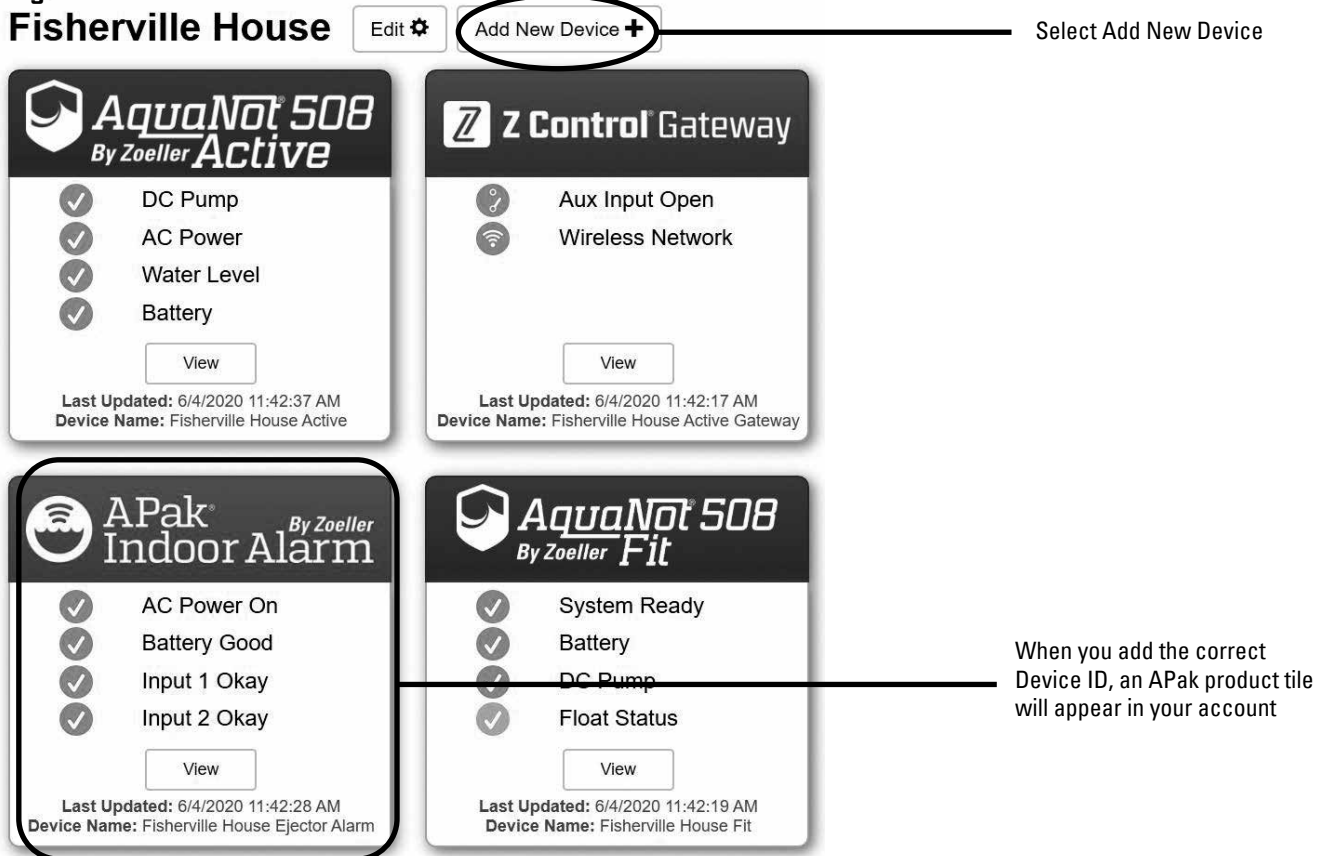
**Note that the APak® will not connect to routers with “WEP” or “OPEN” security.

- Once the APak's Z Control® LED is solid, log in to your account (or create one) at zcontrolcloud.com. Choose the Add New Device button next to the location you want to use for the APak (see Figure K). Follow the directions to add your APak by either auto-detect or entering the Device I.D. When successful, a APak product tile will appear in your account.

Firmware Updates:

The APak is capable of OTA, or "over the air" firmware updates. It's possible that the APak could perform an update immediately if one is available at the Z Control® Cloud. If an update is taking place, the Z Control® LED will flicker for up to 1 minute while the update is downloaded. The Z Control® LED will be solid and all other LEDs will turn off while the update is being installed. After up to 1 minute, the APak will restart and return to normal operation. The APak's alert history on the Z Control® Cloud will also be updated with the firmware upgrade information, and notification to email accounts will occur.

Figure K



Congratulations! Your APak is online. Be sure you have added the contact information for phone numbers and email addresses that should receive notifications. This can be done by selecting "Manage Contacts" from the main menu (the square with 3 lines in the upper right corner). You can also edit how each device sends out notifications from the device's "Alarm Settings" tab. You can now open the product's configuration by clicking the "View" button to modify the APak's device and notification settings. You can also install the Z Control® mobile app on your mobile device (Android and iOS versions available, search "Z Control" in the app stores).

APAK® LED, BUTTON, ALARM, AND Z CONTROL® BEHAVIORS

		AC and DC Mode	AC Only Mode	DC Only Mode
LED and Alarm Behaviors	Power LED	Power LED is on when AC and DC power are present.	Power LED is on when AC power is present.	Power LED off when only batteries have been inserted, but will blink when button pressed.
	Input 1 or Input 2 In Alarm	Input LED on solid. Alarm triple beeps continuously.	Input LED on solid. Alarm triple beeps continuously.	Input LED blinks and alarm double beep every 5 seconds.
	Low Battery Alarm	Power LED blinks. Alarm triple beeps every 5 seconds.	N/A	Power LED blinks and alarm beeps every 10 seconds.
	Power Out Alarm	All LEDs go out to conserve battery power. Power LED blinks and alarm double beeps every 30 seconds.	N/A	N/A
	Z Control® LED	LED is solid when connected to router and Z Control Cloud. LED is off when APak® is in AP mode.* LED blinks when Wi-Fi® setup is in process. LED blinks faster if APak® is attempting to reconnect to a known router. LED alternates blinking fast then slow when APak is connected to router but internet is lost.	LED is solid when connected to router and Z Control® Cloud. LED is off when APak® is in AP mode.* LED blinks when Wi-Fi® setup is in process. LED blinks faster if APak® is attempting to reconnect to a known router. LED alternates blinking fast then slow when APak® is connected to router but internet is lost.	In order to conserve battery power, Z Control® LED is dimly lit while connected to the router and Z Control® Cloud and off when the Wi-Fi® module is in low power mode. AC power is required for Wi-Fi® setup (see directions). To test connectivity, trigger an Input.
Silence Button	Press/Release	Silences Alarms. LED that is in alarm stays on (or blinks) until APak® is Reset.	Silences Alarms. LED that is in alarm stays on (or blinks) until APak® is Reset.	Silences alarm. LED still blinks every 5 seconds until alarm is Reset. In standby mode, a short beep will occur to indicate APak® is ready.
	Hold 3 Seconds	Resets any active alarms and returns APak® to standby mode.	Resets any active alarms and returns APak® to standby mode.	Resets any active alarms and returns APak® to standby mode.
	Hold 4 Seconds	Initiates a LED and Alarm Test. Will flash and double beep 3 times.	Initiates a LED and Alarm Test. Will flash and double beep 3 times.	Initiates a LED and Alarm Test. Will flash and double beep 3 times.
	Hold While Applying AC To APak®	APak® will enter AP mode*. For APak® to revert to previous Wi-Fi® settings, power cycle again.	APak® will enter AP mode*. For APak to revert to previous Wi-Fi® settings, power cycle again.	APak® will enter AP mode*. For APak® to revert to previous Wi-Fi® settings, power cycle again. See "Battery Mode Only" note above.
	Hold 12 Seconds	Complete reset of APak® to factory settings, including erasing Wi-Fi settings®. APak® will enter AP mode.*	Complete reset of APak® to factory settings, including erasing Wi-Fi settings. APak® will enter AP mode.*	Complete reset of APak® to factory settings, including erasing Wi-Fi® settings.
Communications and Battery Life	Communication With Z Control® Cloud	Communication is nearly continuous.	Communication is nearly continuous.	Limited to once per day to conserve battery power.
	Communication with Z Control® Cloud Lost	Notification sent to user after 10 minutes of no communication.	Notification sent to user after 10 minutes of no communication.	Notification sent to user after 24 hours of no communication.
	Alarm Condition Present	Immediate communication to Z Control® Cloud.	Immediate communication to Z Control® Cloud.	Immediate communication to Z Control® Cloud.
	Auxiliary Output	Triggered for Input 1, Input 2, Power Out, and Low Battery Alarms.	Triggered for Input 1 and Input 2 Alarms.	Does not function*
	Battery Life	1-2 years with normal use.	N/A	Approximately 1 year with normal use.

*AP Mode is when the APak® is broadcasting its "name", or SSID. The SSID is in the format ZCTL_APAK_xxxx where "xxxx" is the first 4 digits of your APak®'s Device ID. The APak®'s SSID will show up in your phone/tablet/computer's list of available Wi-Fi®, and selecting it will give you direct connectivity to the APak®. This is required in order to give your APak® the password credentials needed to connect to the Wi-Fi® of your choice.

These are the original installation instructions.



MAIL TO: P.O. BOX 16347 • Louisville, KY 40256-0347
 SHIP TO: 3649 Cane Run Road • Louisville, KY 40211-1961
 (502) 778-2731 • 1 (800) 928-PUMP • FAX (502) 774-3624

Trusted. Tested. Tough.®

Visit our website:
zoellerpumps.com

Trusted. Tested. Tough.®

La información presentada adentro refleja condiciones al tiempo de publicación. Consultar la fábrica sobre discrepancias o contradicciones.



DIRECCIÓN POSTAL: P.O. BOX 16347 • Louisville, KY 40256-0347 EEUU
 DIRECCIÓN PARA ENVÍOS: 3649 Cane Run Road • Louisville, KY 40211-1961 EEUU
 TEL: +1 (502) 778-2731 • FAX: +1 (502) 774-3624

Visite a nuestro sitio web:
zoellerpumps.com



APak®



Z Control® Habilitado

INSTRUCCIONES DE INSTALACIÓN DE LA ALARMA

Para uso en interiores solamente.

Deberán cumplirse todos los códigos de electricidad y seguridad además del Código Eléctrico Nacional y todos los códigos locales pertinentes.

No conecte dispositivos encendidos a la entrada.

ESPECIFICACIONES

Esta unidad de alarma monitorea el nivel de líquido en cámaras de bomba elevadora, contenedores para agua de bombas de sumidero, tanques de almacenamiento y otras aplicaciones de agua no potable. Cuenta con una luz verde indicadora de alimentación, una luz roja de entrada, un timbre audible y botón de silencio/prueba. Cuenta con un LED verde indicador de alimentación, LED rojas de entrada 1 y entrada 2, un timbre audible, contactos secos normalmente cerrados y un botón de silencio/reinicio/prueba. La APak® se enchufa en un receptáculo de 120 V, 60 Hz. La energía de reserva de la batería se aplica con 2 baterías alcalinas estándar AA, que no vienen incluidas y deben adquirirse por separado.

INSTALACIÓN DE LA UNIDAD DE ALARMA

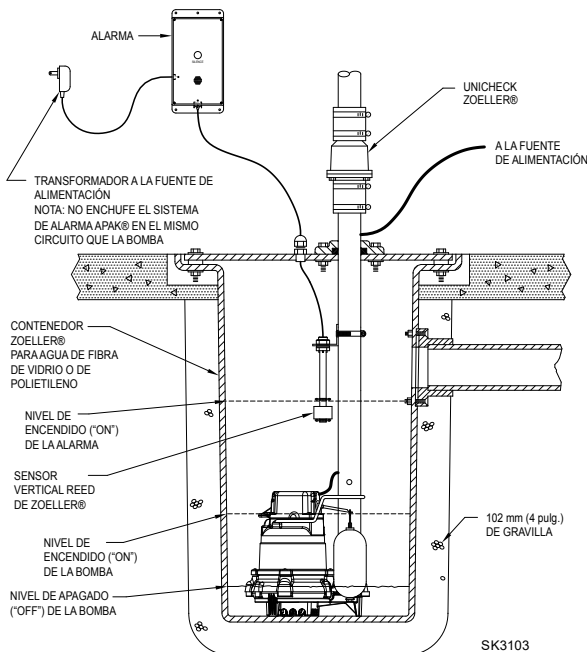
- 1) Antes de instalar la alarma, retire los 4 tornillos de la tapa para acceder al compartimento de las baterías (vea la Figura B) e instale 2 baterías AA, no incluidas.
- 2) Monte la unidad de alarma con los tornillos y anclajes.
- 3) Enchufe el conector de cilindro del transformador en la APak®. Fije el cable de alimentación de modo que no obstaculice ni interfiera con otros dispositivos.
- 4) **NOTA:** Se escuchará un pitido fuerte cuando se complete este paso. Conecte el transformador al receptáculo estándar de 120 V CA 60 Hz.
NOTA: La alarma APak® debe conectarse a un circuito separado del circuito de la bomba.

Las instalaciones que utilizan alimentación y baterías de CA pueden omitir la siguiente explicación y gráfico. Algunas instalaciones pueden requerir que la alarma APak® sea alimentada solo por baterías o solo por alimentación de CA. Para obtener un comportamiento adecuado de la alarma en este tipo de instalaciones, consulte la siguiente tabla.

Opción de alimentación	Comportamiento resultante de la alarma	Haga esto
CA y baterías	Alarmas de corte de energía y de batería baja.	Inserte las baterías y conecte a la alimentación.
CA solamente	Alarma de batería baja desactivada.	Sostenga el botón durante unos 5 segundos mientras enciende la alarma hasta escuchar un solo pitido, a continuación suelte el botón. Este ajuste será recordado por la alarma, incluso después de un corte de energía. Si ya no se desea esta opción, simplemente ponga las baterías para eliminar este ajuste.
Solo baterías*	Alarma de corte de energía desactivada.	Inserte las baterías. La alarma no detectará la alimentación de CA si nunca la ha tenido.

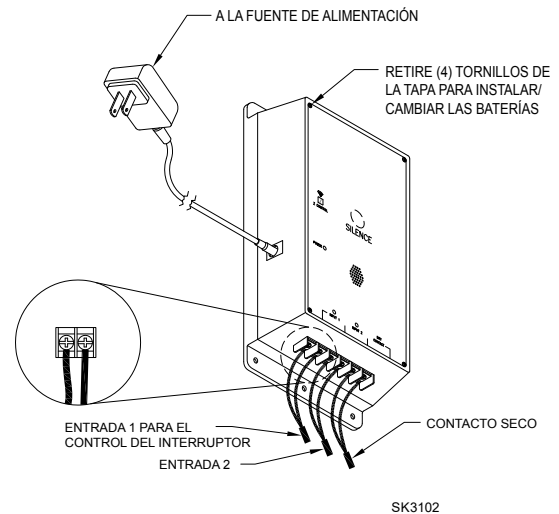
* Los LED, alarmas y conectividad Z Control® tienen distintos comportamientos en el modo solo batería. Vea la tabla en la página 15.

Figura A



10-4011 ilustrado

Figura B



GARANTÍA LIMITADA

Mientras dure el período de garantía, el fabricante garantiza al comprador, y al subsiguiente propietario, que los productos nuevos no tendrán defectos de material ni mano de obra por el uso y el servicio normales, siempre que se usen y se mantengan debidamente, durante cinco años a partir de la fecha de compra del usuario final. Las partes que fallen durante el período de garantía, cuyas inspecciones determinen que presentan defectos en materiales o mano de obra, serán reparadas, reemplazadas o remanufacturadas a opción del Fabricante, con la condición sin embargo de que por hacerlo no estemos en la obligación de reemplazar un ensamblaje completo, el mecanismo entero o la unidad completa. No se dará concesión alguna por costos de envío, daños, mano de obra u otros cargos que pudieran surgir por falla, reparación o reemplazo del producto.

Esta garantía no aplica a y no se ofrecerá garantía alguna por ningún material o producto que haya sido desarmado sin aprobación previa del Fabricante, o que haya sido sometido a uso indebido, aplicación indebida, negligencia, alteración, accidente o acto fortuito; que no haya sido instalado, usado o mantenido según las instrucciones de instalación del Fabricante; que haya sido expuesto a sustancias foráneas que incluyen pero no se limitan a lo siguiente: arena, grava, cemento, lodo, alquitrán, hidrocarburos, derivados de hidrocarburos (aceite, gasolina, solventes, etc.), u otras sustancias abrasivas o corrosivas, toallas para lavar o productos sanitarios femeninos, etc. en todos los usos de bombeo. La garantía presentada en el párrafo anterior deja sin efecto cualquier

otra garantía expresa o implícita; y no autorizamos a ningún representante u otra persona para que asuma por nosotros ninguna otra responsabilidad con respecto a nuestros productos.

Comuníquese con el Fabricante en 3649 Cane Run Road, Louisville, KY 40211 EE.UU., a la atención del Customer Support Department, para obtener cualquier reparación necesaria o reemplazo de partes o información adicional sobre nuestra garantía.

EL FABRICANTE EXPRESAMENTE RECHAZA RESPONSABILIDAD POR DAÑOS ESPECIALES, EMERGENTES O INCIDENTALES O POR INCUMPLIMIENTO DE LA GARANTÍA EXPRESA O IMPLÍCITA; Y CUALQUIER GARANTÍA IMPLÍCITA DE IDONEIDAD PARA UN FIN PARTICULAR Y DE COMERCIALIZACIÓN SE LIMITARÁ A LA DURACIÓN DE LA GARANTÍA EXPRESA.

Algunos estados no permiten limitaciones en la duración de una garantía implícita, de forma que la limitación anterior podría no aplicar a usted. Algunos estados no permiten la exclusión o limitación de daños incidentales o emergentes, de forma que la limitación o exclusión anterior podría no aplicar a usted.

Esta garantía le otorga a usted derechos legales específicos y podría tener otros derechos que varían de un estado a otro.

INSTALACIÓN DEL INTERRUPTOR DE CONTROL

SENSOR REED VERTICAL (10-4013)

ADVERTENCIA NO instale el sensor en línea directa del líquido entrante.

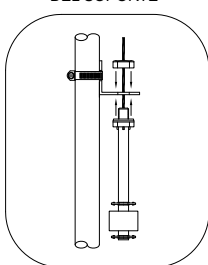
- 1) Fije el sensor al soporte de montaje en ángulo recto desenroscando la tuerca de plástico. Vuelva a apretar la tuerca de plástico después de insertar el vástago del sensor en el soporte (vea la Figura C).
- 2) Coloque el sensor en el nivel de activación deseado y fije el soporte de montaje a la tubería de descarga como se muestra (vea las Figuras C, D y E), utilizando la abrazadera de manguera suministrada.

NOTA: NO instale el cable debajo de la abrazadera de la manguera.

- 3) Fije el cable del sensor a la tubería de descarga. Asegúrese de no dejar ningún cable suelto que pudiera rozar con y obstruir otros dispositivos en el conjunto de contenedor para agua.

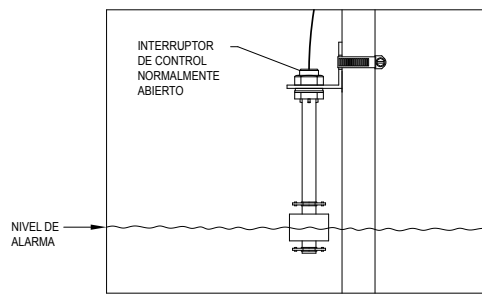
NOTA: Cree un pasacables al fijar el cable del interruptor de control fijando un bucle de 5.1 cm (2 pulg.) de cable a la tubería con una brida para cables o cinta adhesiva. Asegúrese de que el flotador del sensor se mueva hacia arriba y hacia abajo sin interferencias.

ABRAZADERA Y DETALLE DEL SOPORTE



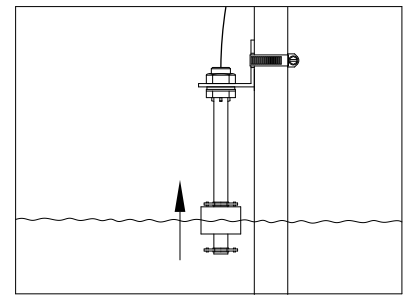
SK1301E

Figura C



SK1301D

Figura D



SK1301E

Figura E

NOTA: Para aplicaciones de aguas negras se recomienda el sistema de alarma 10-4010. Si se usa un sistema 10-4013 en una aplicación de aguas negras, se debe controlar y limpiar el flotador según sea necesario después de cualquier incidente de alto nivel de agua.

INTERRUPTOR DE FLOTADOR MECÁNICO (10-4014)

- 1) Coloque el cable en la abrazadera y fíjelo a la tubería de descarga como se muestra en el detalle de la abrazadera (vea la Figura F). **NOTA:** No instale el cable debajo la abrazadera de la manguera.
- 2) Apriete la abrazadera de la manguera con un destornillador. **NOTA:** no apriete demasiado; apretar demasiado puede causar daños a la abrazadera de plástico.
- 3) Asegúrese de que el cable del flotador no toque el exceso de banda de la abrazadera de manguera durante el funcionamiento.
- 4) El interruptor de flotador debe estar suspendido a 17.8 cm (7 pulg.) por debajo del nivel de activación deseado. (vea la Figura G).
- 5) Asegúrese de que la instalación del flotador permita un rango de movimiento sin obstrucciones.

BOMBA ELEVADORA

Suspenda el interruptor de control por encima del nivel de encendido de la bomba. Si una falla de la bomba provoca una condición de alto nivel, el sistema de alarma APak® se activará (vea la Figura A).

TANQUE DE RETENCIÓN

Suspenda el interruptor de control en el tanque a 17.8 cm (7 pulg.) por debajo del nivel de alarma deseado. El sistema de alarma APak® se activará si el flotador asciende al nivel de alarma (vea la Figura G).

DETALLE DE LA ABRAZADERA

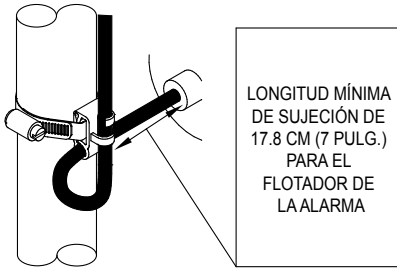


Figura F

SK1301F

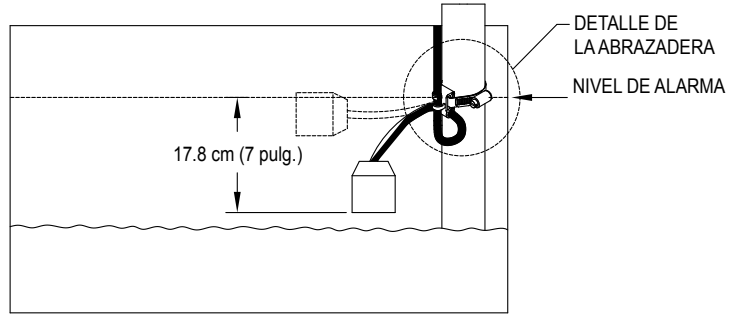


Figura G

SK1301G

CABLEADO DEL INTERRUPTOR DE CONTROL/MECÁNICO

Conecte los dos conductores desde el interruptor de control o interruptor mecánico a cualquiera de los dos terminales de entrada en la parte inferior de la unidad de alarma (vea la Figura B). El interruptor de control opera en baja tensión para reducir el riesgo de descargas. La segunda entrada puede usarse para conectar un segundo interruptor o contactos secos a otro dispositivo.

FUNCIONAMIENTO Y PRUEBAS

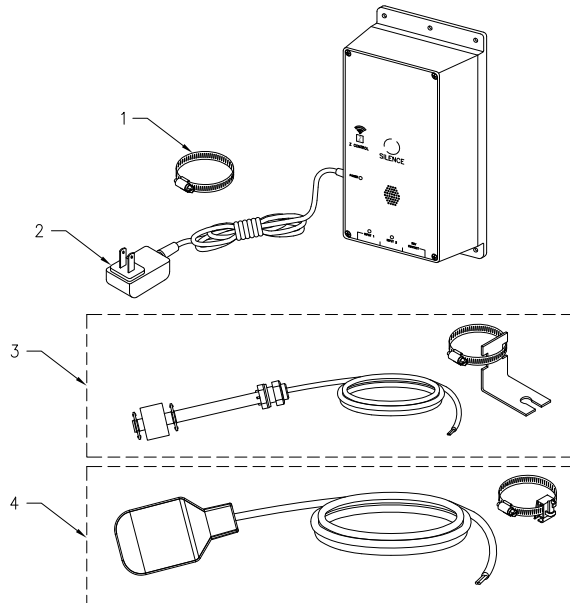
Verifique y pruebe la instalación levantando el flotador manualmente (vea la Figura E o G). La unidad de alarma indicará una condición de alarma con pitidos y encendiendo un LED rojo arriba de "Input 1". La alarma puede ser silenciada durante 24 horas pulsando brevemente el botón Silence. Una vez silenciada, el LED comienza a parpadear y la bocina audible no sonará. Una vez que la condición de nivel alto de agua se solucione, la alarma debe restablecerse manteniendo pulsado el botón Silence durante al menos 3 segundos. Zoeller Company no puede responsabilizarse por daños causados por una instalación defectuosa o negligente de este dispositivo. Respetuosamente sugerimos que contrate los servicios de un electricista certificado o persona de mantenimiento calificada. Mantenga pulsado el botón Silence durante 3 segundos para realizar la prueba una vez por semana con el fin de verificar el funcionamiento correcto.

Para unidades sin conexión a Internet, consulte el APak® estándar 10-4011, 10-4012.

Durante un apagón, el APak® emitirá un pitido cada 30 segundos hasta que vuelva la energía. Si se produce una alarma de alto nivel de agua durante un apagón con las baterías instaladas, la alarma sonará cada 5 segundos.

**La configuración predeterminada es de 24 horas. Tanto esta como otras configuraciones se pueden cambiar desde la Z Control® Cloud.*

Artículo	Descripción	Modelos	10-4013-A	10-4014-A
			3/16 al presente	3/16 al presente
1	Abrazadera, #36 Worm-AI	Cantidad	001766	001766
2	Alimentación (parte de servicio)	1	154018	154018
3	Interruptor, reed vertical (parte de servicio)	1	154033	--
4	Interruptor, flotador mecánico	1	--	10-2060



SK3113

CONECTAR LA APak® AL Z CONTROL®

Al conectar la APak a la nube del Z Control® mediante el Wi-Fi integrado, el usuario puede configurar mensajes de alerta gratuitos por correo electrónico, mensajes de texto y notificaciones "push" de la aplicación móvil. Además, el usuario puede verificar la disponibilidad de la APak, silenciar alarmas y restablecer la unidad de manera remota, ajustar las configuraciones y modificar la forma de envío de las notificaciones. También hay otros tipos de informaciones visuales, como el estado de las entradas y el nivel de las baterías, disponibles por Internet y a través de las interfaces de la aplicación.

Hay 2 maneras de conectar la APak® a la nube del Z Control®.

1. La manera más simple es utilizar la aplicación móvil Z Control®. Estas instrucciones se encuentran en "Utilizar la aplicación móvil".
2. La segunda manera es utilizar su dispositivo móvil o computadora para conectarse directamente a la APak. Las instrucciones para conectarse directamente se encuentran a continuación en "Utilice su dispositivo móvil o computadora para conectarse a la APak directamente".

Utilizar la aplicación móvil (iOS y Android)

Antes de comenzar:

- Conozca cuál es el nombre de su red Wi-Fi (es decir, el SSID) y su contraseña. Asegúrese de saber cuál es la contraseña correcta y cómo se deletrea, incluidas las mayúsculas y minúsculas. Esto evitará los problemas más comunes en la solución de problemas.
- Verifique que su dispositivo móvil tenga Wi-Fi en funcionamiento con una señal fuerte cuando esté junto a la APak. Si la señal es débil, es posible que su red no pueda ofrecer una conexión estable para la APak.
- Verifique que su red Wi-Fi esté conectada a Internet y que esté transmitiendo una red visible y segura de 2.4 GHz.
- Se requiere una red de 2.4 GHz. Si solo ve redes de 5 GHz, puede que tenga que iniciar sesión en su router de banda dual para elegir transmitir las redes por separado.
- Es probable que sea necesario apagar temporalmente el direccionamiento de banda durante la configuración.
- La red de 2.4 GHz debe utilizar seguridad WPA o WPA2. Las redes WEP y abiertas no son compatibles con la APak.
- Puede ser necesario apagar temporalmente cualquier VPN u otros controles de red durante la configuración.
- Localice el ID del dispositivo APak y la matriz de datos en el adhesivo superior.
- A igual que la mayoría de los dispositivos conectados a Internet, la conectividad Wi-Fi de la APak debe estar protegida por un firewall. La mayoría de los routers cuentan con un firewall integrado. Consulte a un profesional de redes por preguntas específicas sobre los firewalls.
- *La lista anterior también puede ayudar a solucionar problemas de conectividad.*

Estas instrucciones básicas no detallarán cada paso, pero brindan una descripción general de lo que hará la aplicación.

1. Abra la aplicación e inicie sesión en su cuenta, o cree una cuenta mediante el enlace en la parte inferior. Abra su perfil para configurar números de teléfono o direcciones de correo electrónico adicionales donde le gustaría recibir las notificaciones.
2. Una vez que haya iniciado sesión en su cuenta, cree ubicaciones tocando el "+" desde la pantalla Ubicaciones. Cuando esté listo para agregar un dispositivo, elija el nombre de la ubicación deseada y luego toque el "+" para comenzar a agregar un dispositivo. Permita acceso a la cámara así puede escanear la matriz de datos.
3. Ahora la aplicación ofrecerá varias pantallas de instrucciones sobre cómo escanear la matriz de datos, unirse a la red de la APak, y luego SALIR de la aplicación y cómo volver.

En lugar de escanear la matriz de datos, el usuario puede en cambio ingresar la ID de dispositivo de la APak para comenzar. Ignore las advertencias que le puede dar su dispositivo móvil sobre "red no segura" o "no hay conexión a Internet". La aplicación se está conectando directamente al equipo del Z Control®, con lo cual no hace falta seguridad ni conexión a Internet.

4. Cuando se abra la pantalla capacitiva (ver la figura J en la siguiente sección), utilice el botón "Wi-Fi Scan" (Escanear Wi-Fi) para buscar la red Wi-Fi que quiera que la APak use, selecciónela de la lista que se proporciona en la parte inferior de la pantalla (es posible que deba desplazarse) y escriba la frase de contraseña en el campo. El LED del Z Control® debe quedar fijo dentro de un minuto indicando una conexión exitosa con el router y la nube del Z Control®. Al conectarse por primera vez a la nube, el controlador APak puede actualizar inmediatamente su firmware por el aire (OTA, por sus siglas en inglés) si hay una actualización disponible. Si se está llevando a cabo una actualización, el LED del Z Control® parpadeará por hasta 1 minuto mientras se descarga la actualización. El LED del Z Control® estará fijo y todos los demás LED se apagarán mientras se instala la actualización. Después de aproximadamente 1 minuto, la APak se reiniciará y volverá a funcionar normalmente. El historial de alertas de la APak en la nube del Z Control® también se actualizará con la información de actualización del firmware y se enviarán notificaciones a las cuentas de correo electrónico.
5. Ahora puede regresar a la aplicación Z Control® para ver su nuevo dispositivo configurado en la ubicación que seleccionó anteriormente. Siempre puede cambiar un dispositivo a una ubicación diferente en su cuenta.
6. Abra la APak y explore el estado actual y los ajustes de configuración.

Utilice su dispositivo móvil o computadora para conectarse al controlador APak directamente

En lugar de utilizar un dispositivo móvil y la aplicación Z Control®, también puede utilizar su dispositivo móvil o computadora para conectarse a la APak.

Antes de comenzar:

- Conozca cuál es el nombre de su red Wi-Fi (es decir, el SSID) y su contraseña. Asegúrese de saber cuál es la contraseña correcta y cómo se deletrea, incluidas las mayúsculas y minúsculas. Esto evitará los problemas más comunes en la solución de problemas.
- Verifique que su dispositivo móvil tenga Wi-Fi en funcionamiento con una señal fuerte cuando esté junto a la APak. Si la señal es débil, es posible que su red no pueda ofrecer una conexión estable para la APak.

- Verifique que su router Wi-Fi esté conectado a Internet y que esté transmitiendo una red visible y segura de 2.4 GHz.
- Se requiere una red de 2.4 GHz. Si solo ve redes de 5 GHz, puede que tenga que iniciar sesión en su router de banda dual para elegir transmitir las redes por separado.
- Es probable que sea necesario apagar temporalmente el direccionamiento de banda durante la configuración.
- La red de 2.4 GHz debe utilizar seguridad WPA o WPA2. Las redes WEP y abiertas no son compatibles con la APak.
- Puede ser necesario apagar temporalmente cualquier VPN u otros controles de red durante la configuración.
- Cree una cuenta gratuita en zcontrolcloud.com.
- Localice el ID del dispositivo de la APak en el adhesivo superior.
- La lista anterior también puede ayudar a solucionar problemas de conectividad.
- Si el controlador APak aún no se conecta después de probar las sugerencias anteriores, siga los mismos pasos para conectar el controlador APak al punto de acceso de un teléfono móvil en lugar del router Wi-Fi de la casa. Si la APak se conecta con éxito a la nube a través del punto de acceso, entonces es probable que el problema esté relacionado con la configuración del router.

Pasos para la conexión:

1. Conecte la APak a la alimentación de CA. El LED del Z Control® parpadeará y luego se apagará, indicando que la APak está en modo AP* y que está transmitiendo un SSID (ver figura B). Si el LED parpadea pero no está en modo AP, reinicie la APak al desconectar la energía, presione el botón de silencio, vuelva a conectar la de energía, espere 5 segundos y suelte el botón.

Figura H

Este LED debe estar apagado cuando la APak® esté en modo AP.

El LED parpadeará cuando el usuario está conectado a la APak® para configurar el Wi-Fi®.

Este LED se quedará fijo cuando la APak® esté conectada al router y a la nube del Z Control®.

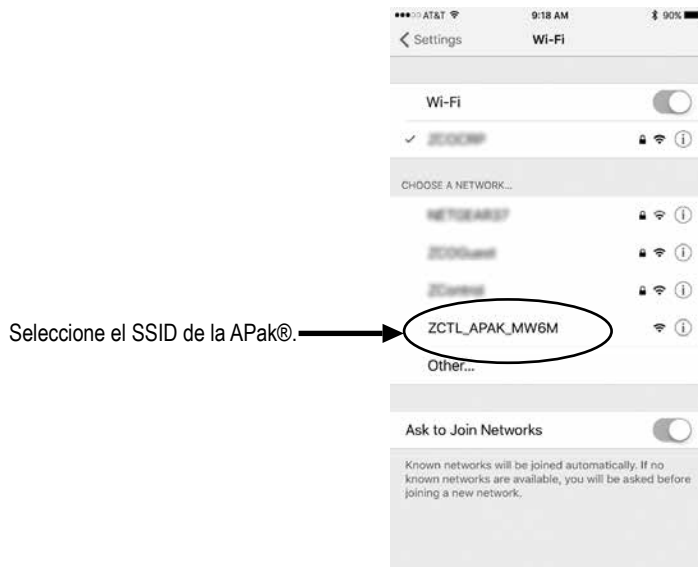
Se debe usar alimentación de CA para que el modo AP funcione.



*El modo AP es cuando la APak® está transmitiendo su "nombre" o SSID. El SSID tiene el formato ZCTL_APak_xxxx, donde "xxxx" son los primeros 4 dígitos del ID de su dispositivo APak®. El SSID de la APak® aparecerá en la lista de Wi-Fi® disponibles de su teléfono/tableta/computadora, y al seleccionarlo, tendrá conectividad directa con la APak®. Esto es necesario para que su APak® reciba las credenciales necesarias de la contraseña para conectarse al Wi-Fi® que elija.

**Modo solo batería. La APak® no transmitirá un SSID si solo está alimentado por baterías (CC). Debe tener alimentación de CA para transmitir un SSID. Una vez que la APak® esté conectada al Wi-Fi®, se puede quitar la alimentación CA si se desea. Dado que la APak® ha recibido previamente alimentación de CA y luego se ha desconectado, la APak® emitirá un pitido cada 30 segundos indicando la falta de energía. Para solucionarlo, quite las baterías por un momento y luego vuelva a colocarlas. La APak® ya no sonará por la falta de alimentación CA (a menos que se vuelva a aplicar y quitar energía de CA). Los LED y la alarma tendrán comportamientos diferentes a cuando esté conectada a la alimentación de CA para conservar la energía de la batería. En el modo solo batería, la APak® ingresará a la nube del Z Control® con mucha menos frecuencia para que las baterías puedan durar aproximadamente 1 año.

Figura I



***El modo AP** es cuando la APak está transmitiendo su “nombre” o SSID. El SSID tiene el formato ZCTL_APak_xxxx, donde “xxxx” son los primeros 4 dígitos del ID de su dispositivo APak (ver Figura I). El SSID de la APak aparecerá en la lista de Wi-Fi disponibles de su teléfono/tableta/computadora, y al seleccionarlo, tendrá conectividad directa con la APak. Esto es necesario para que su APak reciba las credenciales necesarias de la contraseña para conectarse al Wi-Fi que elija.

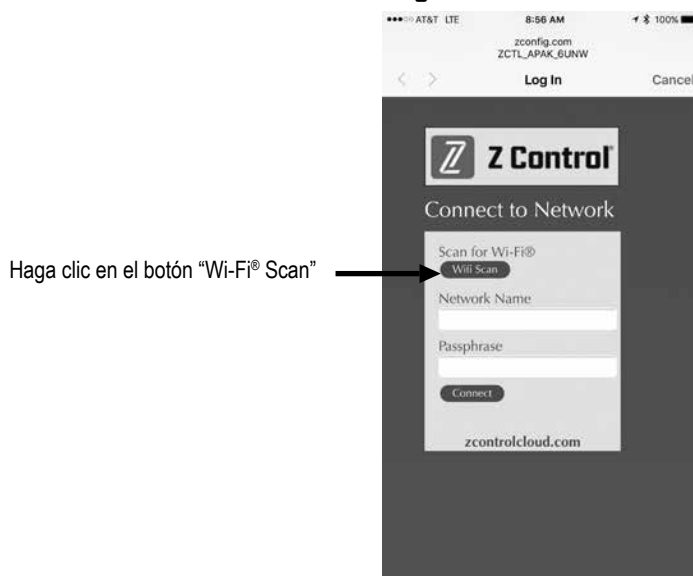
2. Párese cerca de la APak y use su teléfono, tableta o computadora para buscar el SSID de la APak en la configuración de su Wi-Fi® (ver Figura I). Aparecerá como “ZCTL_APak_xxxx”, donde “xxxx” son los primeros 4 dígitos del ID de su dispositivo APak. Selecciónelo y asegúrese de que su dispositivo muestra una marca de verificación o un indicador similar de que está conectado a la red local de la APak. De ser así, sucederán 2 cosas:
 1. El LED del Z Control® parpadeará rápidamente.
 2. Se abrirá una pantalla de configuración (ver Figura J) del Z Control®. Esto puede tardar hasta 30 segundos.

Si la pantalla de configuración no aparece, abra un navegador en el mismo dispositivo y escriba “192.168.125.1” en la barra de direcciones. Si la pantalla de configuración aparece pero no se utiliza (si se cancela o se cierra), la APak volverá al modo AP y el LED del Z Control® se apagará hasta que se intente la configuración Wi-Fi de nuevo. Si la pantalla de configuración aún no aparece, verifique que su dispositivo esté todavía conectado al SSID de la APak. Si no lo está, repita el paso 2 y asegúrese de que el Wi-Fi de su dispositivo se mantiene conectado al controlador. Si su dispositivo muestra un mensaje de advertencia por falta de Internet o de seguridad en la red de la APak, ignórelo y conéctese igual.

3. En la pantalla de configuración (ver Figura J), presione el botón “Wi-Fi Scan”, deslícese hacia abajo para ver la lista de señales de Wi-Fi encontradas y elija el Wi-Fi que quiere usar para que la APak tenga conexión a Internet. Ingrese la frase de contraseña para la red que eligió en el campo indicado. Si la contraseña es correcta, la APak se conectará a la red y comenzará a enviar actualizaciones de estado a zcontrolcloud.com. Verá que el LED del Z Control® deja de parpadear y se queda fijo. Esto puede demorar alrededor de un minuto.

Si el LED no queda fijo, entonces la frase de contraseña ingresada es incorrecta, la seguridad del router es insuficiente (ver la nota a continuación**) o existe algún tipo de restricción de red (consultar con el administrador de red). La APak volverá al modo de espera si la conexión al router no tuvo éxito. Si necesita forzar la APak para que vuelva al modo AP, presione el botón del Z Control® durante 12 segundos (ver Figura A). Esto hará que la APak vuelva a ponerse en modo AP y comience a transmitir su SSID de nuevo. Repita los pasos 2 y 3.

Figura J

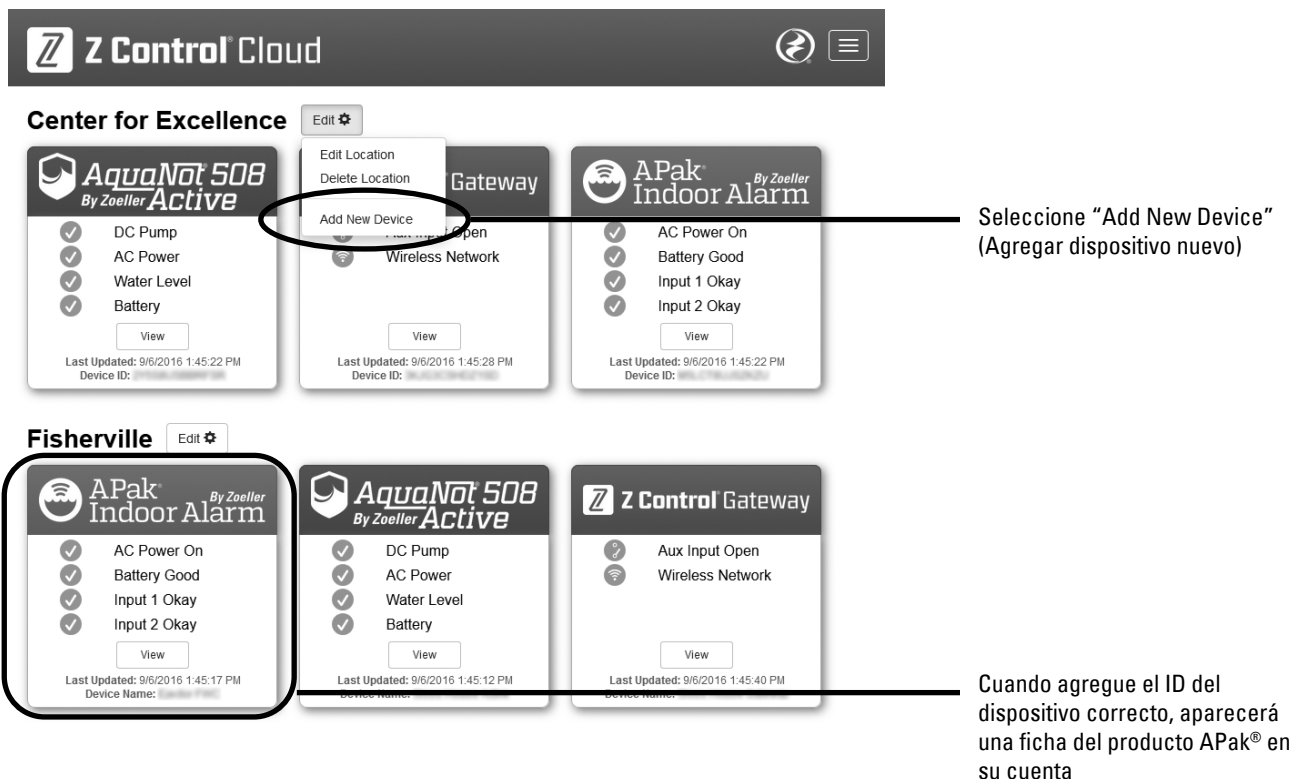


**Tenga en cuenta que la APak® no se conectará a los routers “ABIERTOS” O con seguridad “WEP”.

- Una vez que el LED del Z Control® de la APak® se quede fijo, ingrese a su cuenta (o cree una) en zcontrolcloud.com (ver Figura K). Haga clic en el botón Edit (Editar) cerca de una Location (Ubicación) y seleccione "Add New Device" (Añadir nuevo dispositivo). Siga las instrucciones para agregar su APak®, ya sea a través de la detección automática o el ingreso del ID del dispositivo. Cuando lo haya logrado, aparecerá en su cuenta la ficha del producto APak®.

La APak® tiene capacidad para recibir actualizaciones de firmware de forma inalámbrica ("over the air"). Es posible que la APak® haga una actualización de inmediato si hay alguna disponible en la Z Control®Cloud. Durante la actualización, el LED de Z Control® parpadeará por hasta 1 minuto mientras se descarga la actualización. El LED del Z Control® se quedará fijo y todos los otros LED se apagarán durante la instalación de la actualización. Luego de hasta 1 minuto, la APak® se reiniciará y volverá a funcionar normalmente. El historial de alertas de la APak® en la Z Control®Cloud también se actualizará con la información de actualización del firmware y se enviarán notificaciones a las cuentas de correo electrónico.

Figura K



¡Felicitaciones! Su APak® está en línea. Ahora puede abrir la configuración del producto al hacer clic en el botón "View" (Ver) para modificar las configuraciones del dispositivo y notificaciones de la APak®.

También puede instalar la aplicación móvil Z Control® en su dispositivo móvil (versiones disponibles en iOS y Android, busque "Z Control" en las tiendas de aplicaciones). Esta aplicación facilita el acceso a la información del dispositivo. También se incluyen las funciones de Silencio, Restablecer y Prueba. La aplicación no está diseñada actualmente para configurar el Wi-Fi®, crear una cuenta o agregar dispositivos. Estos pasos solo se pueden llevar a cabo a través de una interfaz web (se puede usar un dispositivo móvil para acceder a la interfaz web). La configuración de la APak® para usarla con su Wi-Fi® se realiza conectándose al Wi-Fi® interno de la APak® (como se indicó anteriormente en Pasos para la conexión).

COMPORTAMIENTO DE LOS LED APak®, BOTÓN, ALARMA Y Z CONTROL®

	Modos CA y CC	Modo CA solamente	Modo CC solamente	
Comportamiento de los LED y las alarmas	LED de alimentación	El LED de alimentación se enciende cuando hay presencia de alimentación CA y CC	El LED de alimentación se enciende cuando hay presencia de alimentación CA	El LED de alimentación se apagan cuando solo se han colocado baterías, pero parpadeará cuando se presione el botón
	Entrada 1 o entrada 2 en la alarma	LED de entrada encendido fijo. La alarma hace tres pitidos continuamente.	LED de entrada encendido fijo. La alarma hace tres pitidos continuamente.	El LED de entrada parpadea y la alarma hace dos pitidos cada 5 segundos
	Alarma de batería baja.	El LED de alimentación parpadea. La alarma hace tres pitidos cada 5 segundos.	--	El LED de alimentación parpadea y la alarma pita cada 10 segundos
	Alarma de corte de energía	Todos los LED se apagan para conservar batería. El LED de alimentación parpadea y la alarma hace dos pitidos cada 30 segundos.	--	--
	LED de Z Control®	El LED está fijo cuando está conectado al router y a la nube del Z Control®. El LED está apagado cuando APak® está en modo AP.* El LED parpadea cuando la configuración del Wi-Fi® está en proceso. El LED parpadea más rápido si la APak® está intentando volver a conectarse a un router conocido. El LED alterna entre parpadeo rápido y lento cuando la APak® está conectada a un router pero se pierde la conexión a Internet.	El LED está fijo cuando está conectado al router y a la nube del Z Control®. El LED está apagado cuando APak® está en modo AP.* El LED parpadea cuando la configuración del Wi-Fi® está en proceso. El LED parpadea más rápido si la APak® está intentando volver a conectarse a un router conocido. El LED alterna entre parpadeo rápido y lento cuando la APak® está conectada a un router pero se pierde la conexión a Internet.	Para conservar la energía de la batería, el LED de Z Control® es tenue cuando está conectado al router y a la nube del Z Control® y está apagado cuando el módulo Wi-Fi® está en modo de energía baja. Se requiere alimentación de CA para la configuración de Wi-Fi® (ver instrucciones). Para probar la conectividad, active una Entrada
Botón de silencio	Presionar/Soltar	Silencia las alarmas. El LED de la alarma se queda encendido (o parpadea) hasta que se reinicie la APak®.	Silencia las alarmas. El LED de la alarma se queda encendido (o parpadea) hasta que se reinicie la APak®.	Silencia la alarma. El LED parpadea cada 5 segundos hasta que se reinicie la alarma. En modo de espera, hará un pitido corto para indicar que la APak® está lista.
	Presionar por 2 segundos	Reinicia cualquier alarma activa y regresa la APak® al modo de espera.	Reinicia cualquier alarma activa y regresa la APak® al modo de espera.	Reinicia cualquier alarma activa y regresa la APak® al modo de espera.
	Presionar por 4 segundos	Inicia una prueba de LED y alarma. Parpadeará y hará pitidos dobles 3 veces.	Inicia una prueba de LED y alarma. Parpadeará y hará pitidos dobles 3 veces.	Inicia una prueba de LED y alarma. Parpadeará y hará pitidos dobles 3 veces.
	Mantener presionado al conectar la APak® a la alimentación CA	La APak® entrará al modo AP*. Para que la APak® regrese a los ajustes de Wi-Fi® anteriores, apague y vuelva a encender.	La APak® entrará al modo AP*. Para que la APak® regrese a los ajustes de Wi-Fi® anteriores, apague y vuelva a encender.	La APak® entrará al modo AP*. Para que la APak® regrese a los ajustes de Wi-Fi® anteriores, apague y vuelva a encender. Ver arriba la nota sobre "Modo batería solamente".
	Mantener presionado 12 segundos	Restablece los ajustes de fábrica de la APak®, elimina también las configuraciones de Wi-Fi®. La APak® entrará al modo AP*.	Restablece los ajustes de fábrica de la APak®, elimina también las configuraciones de Wi-Fi®. La APak® entrará al modo AP*.	Restablece los ajustes de fábrica de la APak®, elimina también las configuraciones de Wi-Fi®.
Comunicaciones y duración de la batería	Comunicación con la Z Control® Cloud	La comunicación es casi continua.	La comunicación es casi continua.	Se limita a una vez por día para conservar la carga de la batería
	Pérdida de la comunicación con la Z Control® Cloud	Después de 10 minutos sin comunicación, se envía una notificación al usuario.	Después de 10 minutos sin comunicación, se envía una notificación al usuario.	Después de 24 horas sin comunicación, se envía una notificación al usuario
	Condición de la alarma presente	Comunicación inmediata a la Z Control® Cloud	Comunicación inmediata a la Z Control® Cloud	Comunicación inmediata a la Z Control® Cloud
	Salida auxiliar	Se activa por alarmas de entrada 1, entrada 2, corte de energía y batería baja	Se activa por alarmas de entrada 1 y entrada 2	No funciona*
	Vida útil de la batería	De 1 a 2 años con uso normal	--	Aproximadamente 1 año con uso normal

*El modo AP es cuando la APak® transmite su "nombre" o SSID. El SSID está incluido en el formato ZCTL_APak_xxxx, donde "xxxx" son los primeros 4 dígitos del ID de su dispositivo APak®. El SSID de la APak® aparecerá en la lista de Wi-Fi® disponibles en su teléfono/tableta/computadora y al seleccionarlo le dará conectividad directa a la APak®. Esto es necesario para que su APak® reciba las credenciales necesarias de la contraseña para conectarse al Wi-Fi® que elija.

Esta es una traducción de las instrucciones de instalación originales.



CORREO A: P.O. BOX 16347 • Louisville, KY 40256-0347 EEUU
 ENVÍOS A: 3649 Cane Run Road • Louisville, KY 40211-1961 EEUU
 TEL: +1 (502) 778-2731 • FAX: +1 (502) 774-3624

Visite a nuestro sitio web:
zoellerpumps.com

Trusted. Tested. Tough.®

Trusted. Tested. Tough.®



Les renseignements présentés dans ce document représentent les conditions au moment de la publication. Consulter l'usine en cas de désaccord et de manque de cohérence.

ADRESSE POSTALE : P.O. BOX 16437 • Louisville, KY 40256-0347 USA
 ADRESSE PHYSIQUE : 3649 Cane Run Road • Louisville, KY 40211-1961 USA
 TÉL : +1 (502) 778-2731 • FAX : +1 (502) 774-3624

Visitez notre site internet :
zoellerpumps.com



APak®



Z Control® Activé

INSTRUCTIONS D'INSTALLATION DE L'ALARME

Usage intérieur uniquement.

Tous les codes de l'électricité et de sécurité ainsi que le code national de l'électricité et tous les codes et règlements locaux applicables doivent être respectés.

Ne pas brancher les diapositives à l'entrée.

SPÉCIFICATIONS

Cette alarme surveille les niveaux du liquide dans les chambres de pompe, les cuves de pompe de puisard, les réservoirs de retenue et autres applications d'eau non potable. Elle dispose d'un voyant DEL vert « En marche », de voyants d'entrée rouges 1 et 2, d'une sonnerie, des contacts secs normalement fermés et d'un bouton Silence / Réinitialisation / Test. L'alarme APak® se branche dans une fiche de 120 V et 60 Hz. L'alimentation de la batterie de secours se fait par deux piles alcalines standard AA, qui ne sont pas fournies et doivent être achetées séparément.

INSTALLATION DE L'ALARME

- 1) Avant d'installer l'alarme, retirez les 4 vis du couvercle afin d'accéder au compartiment des piles (voir Figure B) et installez les deux piles AA, non fournies.
- 2) Montez l'alarme avec les vis et les boulons.
- 3) Branchez le connecteur cylindrique du transformateur dans l'alarme APak®. Attachez le cordon d'alimentation afin qu'il n'interfère pas avec d'autres appareils.
- 4) **REMARQUE :** Un signal sonore indique la fin de cette étape.
 Branchez le transformateur dans une fiche standard 120 V c.a. et 60 Hz.
REMARQUE : L'alarme APak® doit être connectée à un circuit séparé du circuit de la pompe.

Pour certaines installations, l'alarme APak® doit être alimentée uniquement par des piles ou une alimentation par courant alternatif. Afin que l'alarme fonctionne normalement dans de telles installations, suivez le tableau suivant.

Choix d'alimentation	Comportement de l'alarme correspondant	À faire
Courant alternatif et piles	Alarmes de panne d'alimentation et de piles faibles.	Insérer les piles et se connecter à l'alimentation.
Courant alternatif uniquement	Alarme de batterie faible désactivée.	Tenir le bouton enfoncé pendant que l'alarme est sous tension pour une durée d'environ cinq (5 secondes) jusqu'à ce qu'un bip simple se fait entendre et puis relâcher le bouton. Ce réglage sera retenu par l'alarme même après qu'une panne de courant s'est produite. Si ce réglage n'est plus souhaité, simplement ajouter des piles supprimera le réglage.
Piles uniquement*	Alarme de panne d'alimentation désactivée.	Insérez les piles. L'alarme ne détectera pas le courant alternatif s'il n'est pas appliqué.

*Les DEL, alarme et connectivité Z Control® se comportent différemment en mode d'alimentation par piles. Se référer au tableau de la page 23.

Figure A

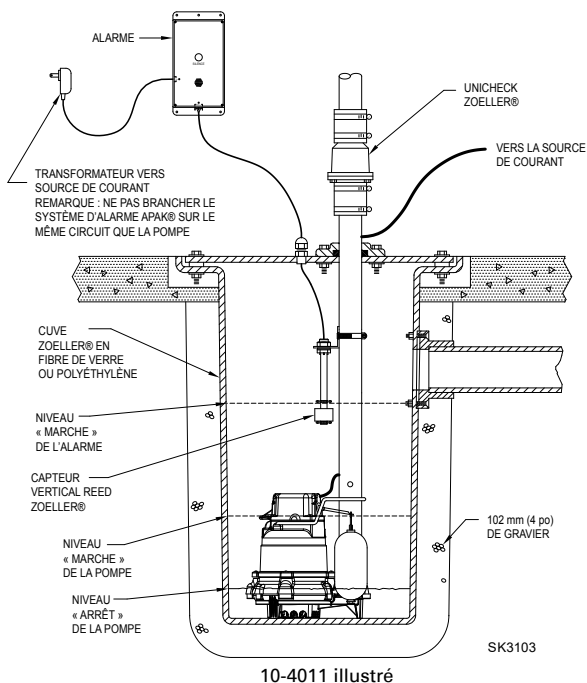
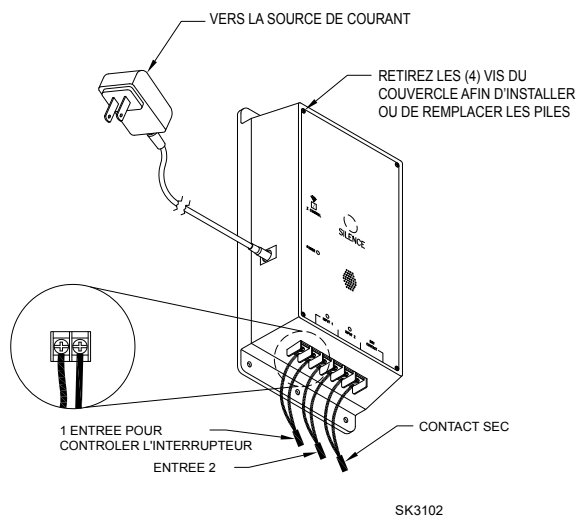


Figure B



GARANTIE LIMITÉE

Le fabricant garantit à l'acheteur et au propriétaire ultérieur pendant la période de garantie, tout produit neuf contre tout vice de matériel et de main-d'œuvre, en utilisation normale et quand utilisé et entretenu correctement, pendant une période de cinq ans à compter de la date de l'achat par l'utilisateur final. Les pièces devenant défectueuses pendant la période de garantie, et que des inspections prouvent contenir des vices de fabrication ou de main-d'œuvre, seront réparées, remplacées ou renouvelées au choix du Fabricant, à condition qu'en faisant cela nous ne soyons pas obligés de remplacer l'ensemble, le mécanisme complet ou l'appareil complet. Aucune provision n'est faite pour les frais d'expédition, les dégâts, la main-d'œuvre ni d'autres frais causés par la défaillance, la réparation ou le remplacement du produit.

Cette garantie ne s'applique pas et ne couvre aucun matériel ou produit qui a été démonté sans l'autorisation préalable du Fabricant, soumis à un usage abusif, des applications incorrectes, de la négligence, des modifications, des accidents ou un cas de force majeure ; qui n'a pas été installé, utilisé ou entretenu selon les instructions d'installation du Fabricant ; qui a été exposé, y compris, mais non de façon limitative, à du sable, des gravillons, du ciment, de la boue, du goudron, des hydrocarbures ou des dérivés d'hydrocarbures (huile, essence, solvants, etc.) ou à d'autres produits abrasifs ou corrosifs, serviettes ou produits d'hygiène féminine etc., dans toutes les applications

de pompage. La garantie mentionnée ci-dessus remplace toutes les autres garanties expresses ou implicites et nous n'autorisons aucun représentant ou autre personne à accepter la responsabilité en notre nom pour nos produits.

Prendre contact avec le Fabricant, 3649 Cane Run Road, Louisville, KY 40211 USA, à l'attention du Customer Support Department, pour obtenir des réparations, des pièces de remplacement ou des renseignements supplémentaires concernant la garantie.

LE FABRICANT REFUSE EXPRESSÉMENT TOUTE RESPONSABILITÉ POUR LES DÉGÂTS SPÉCIAUX, INDIRECTS OU SECONDAIRES OU POUR LES RUPTURES DE GARANTIE EXPRESSES OU IMPLICITES; ET TOUTE GARANTIE IMPLICITE D'APPLICABILITÉ À UNE UTILISATION SPÉCIFIQUE OU DE COMMERCIALITÉ EST LIMITÉE À LA DURÉE DE LA GARANTIE EXPRESSE.

Certaines provinces ne permettent pas les limitations de la durée de la garantie implicite et il est possible que cette limitation ne s'applique pas. Certaines provinces ne permettent pas l'exclusion ou la limitation des dégâts secondaires ou indirects, et il est possible que cette limitation ou exclusion ne s'applique pas.

Cette garantie vous donne des droits spécifiques reconnus par la loi et vous pouvez également avoir d'autres droits qui varient d'une province à l'autre.

INSTALLATION DE L'INTERRUPTEUR À COMMANDE

CAPTEUR VERTICAL REED (10-4013)

AVERTISSEMENT NE PAS installer le capteur en ligne directe avec un liquide entrant.

- 1) Fixez le capteur au support de fixation à angle droit en dévissant l'écrou en plastique. Resserrez l'écrou en plastique après avoir inséré la tige du capteur dans le support (voir Figure C).
- 2) Placez le capteur au niveau d'activation souhaité et fixez le support de montage à la conduite d'évacuation comme illustré (voir les Figures C, D et E) à l'aide du collier de serrage fourni.

REMARQUE : NE PAS installer le cordon sous le collier du tuyau.

- 3) Fixez le cordon du capteur à la conduite d'évacuation. Assurez-vous qu'aucun cordon ne frotte contre ou n'obstrue d'autres dispositifs de l'ensemble de la cuve.

REMARQUE : Créez un réducteur de tension en attachant le cordon de l'interrupteur de commande en fixant une boucle de 5 cm (2 po) de cordon sur le tuyau, avec une attache de câble ou du ruban. Assurez-vous que le flotteur du capteur se déplace vers le haut et vers le bas sans interférence.

COLLIER ET DÉTAIL DE BRIDE

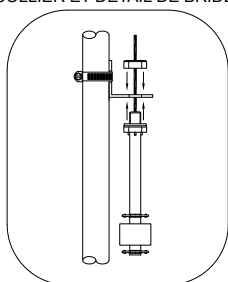


Figure C

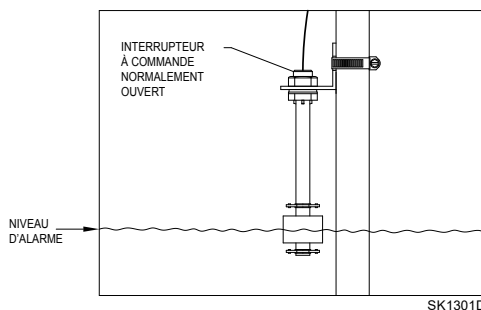


Figure D

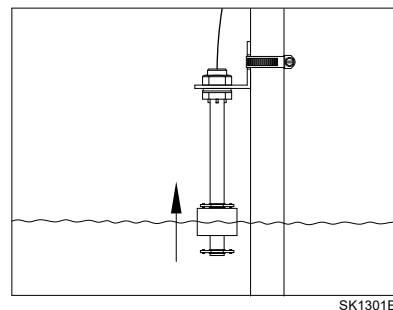


Figure E

REMARQUE : Un système d'alarme 10-4014 est recommandé pour les applications d'eaux usées. Si un système 10-4013 est utilisé dans une application d'eaux usées, le flotteur doit être vérifié et nettoyé si nécessaire après un incident de niveau d'eau élevé.

INTERRUPTEUR MÉCANIQUE À FLOTTEUR (10-4014)

- 1) Placez le cordon dans le collier et fixez-le à la conduite d'évacuation comme illustré sur le détail du collier (voir Figure F). **REMARQUE :** Ne pas installer le cordon sous le collier.
- 2) Serrez le collier à l'aide d'un tournevis. **REMARQUE :** Faites attention de ne pas trop serrer car le collier en plastique risque d'être endommagé.
- 3) Assurez-vous que le câble du flotteur ne touche pas l'extrémité du collier durant le fonctionnement.
- 4) L'interrupteur à flotteur doit être suspendu à 17,8 cm (7 po) au-dessus du niveau d'activation souhaité. (voir Figure G)
- 5) S'assurer que le flotteur a été installé sans obstruer son mouvement.

POMPE DE LEVAGE

Suspendez l'interrupteur de commande au-dessus du niveau marche de la pompe. Si la défaillance de la pompe engendre une condition de niveau élevé, le système d'alarme APak® sera activé (voir Figure A).

RÉSERVOIR DE RETENUE

Suspendez l'interrupteur de commande dans le réservoir 17,8 cm (7 po) au-dessus du niveau souhaité de l'alarme. Le système d'alarme APak® s'activera si le flotteur monte au niveau de l'alarme (voir Figure G).

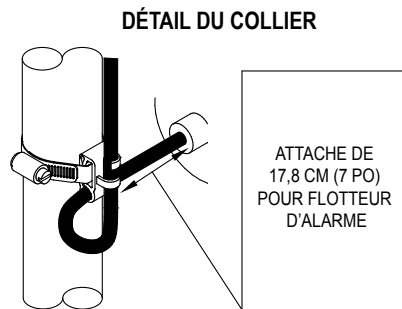


Figure F

SK1301F

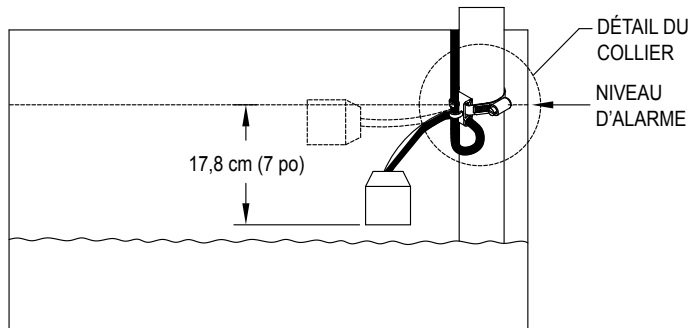


Figure G

SK1301G

CÂBLAGE DE L'INTERRUPTEUR DE COMMANDE/MÉCANIQUE

Connecter les deux conducteurs de l'interrupteur de commande ou mécanique à l'une des paires de bornes en bas de l'unité de l'alarme (voir figure B). L'interrupteur de commande fonctionne sur tension basse afin de réduire les risques de choc électrique. L'entrée 2 peut servir pour relier un deuxième interrupteur ou contacts secs à un autre dispositif.

FUNCTIONNEMENT ET TEST

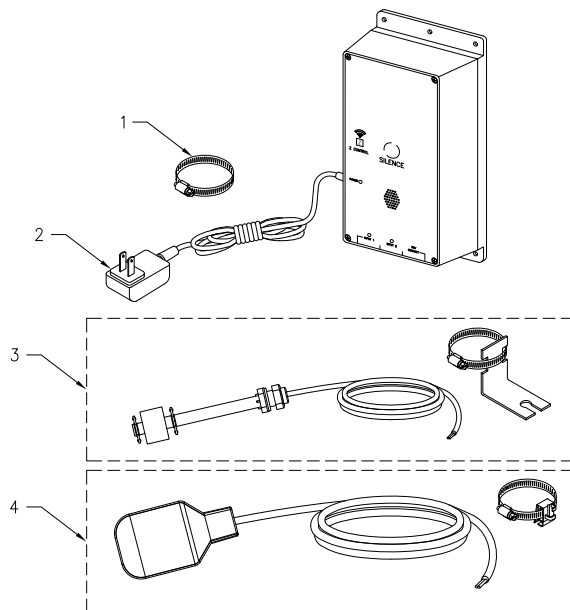
Vérifiez et testez votre installation en levant manuellement le flotteur (voir figure E ou G). L'unité d'alarme indiquera une condition d'alarme en émettant un bip et en allumant une DEL rouge au-dessus de « Input 1 ». L'alarme peut être mise en silence durant 24 heures en appuyant brièvement sur le bouton « Silence ». Une fois en silence, la DEL change et clignote alors que la sirène ne retentira plus. Une fois la condition d'eau élevée résolue, l'alarme devra être réinitialisée en maintenant le bouton « Silence » pendant au moins 3 secondes. Zoeller Company ne peut être tenu responsable de dommages causés par une installation défectueuse ou mal réalisée de ce dispositif. Nous vous suggérons respectueusement d'utiliser les services d'un électricien professionnel et qualifié. Une fois par semaine, maintenez le bouton « Silence » pendant 3 secondes afin de tester le bon fonctionnement de l'alarme.

Pour les dispositifs sans connexion Internet, voir l'APak® standard 10-4011, 10-4012.

Pendant une panne de courant, l'APak® émet un bruit toutes les 30 secondes jusqu'à ce que le courant soit rétabli. Si une alarme de niveau d'eau élevé se produit pendant une panne de courant et lorsque des piles sont présentes, l'alarme retentira toutes les 5 secondes.

*« 24 heures » est le réglage par défaut. Ce paramétrage et d'autres peuvent être modifiés à partir du Z Control® Cloud.

		Modèles	10-4013-A	10-4014-A
Réf.	Description	Quant.	3/16 à courant	3/16 à courant
1	Collier, #36 Worm-AI	1	001766	001766
2	Alimentation (pièce)	1	154018	154018
3	Interrupteur, vertical reed (pièce)	1	154033	--
4	Interrupteur, flotteur mécanique	1	--	10-2060



SK3113

CONNEXION APak® AU Z CONTROL®

En connectant l'alarme APak à Z Control® Cloud à l'aide du Wi-Fi intégré, l'utilisateur peut paramétrer des messages gratuits d'alerte par courriel, message texte et notifications poussées sur application de téléphone mobile. De plus, l'utilisateur peut vérifier l'état de fonctionnement de l'alarme APak, arrêter à distance l'avertisseur sonore de l'alarme et réinitialiser l'unité, configurer les données et modifier le moyen d'envoi des notifications. D'autres renseignements visuels tels que l'état des données et le niveau de la batterie sont disponibles en ligne et par le biais des interfaces des applications.

Il y a deux manières de raccorder l'alarme APak à Z Control® Cloud :

1. La manière la plus simple est d'utiliser l'application mobile Z Control®. Ces instructions se trouvent en bas sous « Utiliser l'application mobile ».
2. Directement sont fournies ci-dessous sous la rubrique « Utilisez votre appareil mobile ou votre ordinateur pour vous connecter directement à APak ».

Utiliser l'application mobile (iOS et Android)

Avant de commencer :

- Vous devez connaître le nom de votre réseau Wi-Fi (c.-à-d. son SSID) et son mot de passe. Vérifier l'exactitude du mot de passe, c'est-à-dire son orthographe et les majuscules. Vous éviterez ainsi des problèmes très habituels.
- Vérifiez que votre appareil mobile dispose d'un réseau Wi-Fi fonctionnel et détecte un signal fort de votre réseau Wi-Fi lorsque vous êtes à côté de l'alarme APak. Si le signal est douteux, votre réseau peut ne pas être en mesure de fournir une connexion stable à APak.
- Vérifiez que votre réseau Wi-Fi est connecté à Internet et qu'il diffuse un réseau visible, sécurisé et de 2,4 GHz.
- Un réseau de 2,4 GHz est nécessaire. Si vous ne voyez que des réseaux 5 GHz, vous devrez peut-être vous connecter à votre routeur bande pour choisir de diffuser les réseaux séparément.
- Il peut être nécessaire de désactiver temporairement le pilotage de la bande pendant la configuration.
- Le réseau 2,4 GHz doit utiliser la sécurité WPA ou WPA2. Les réseaux WEP et Open ne sont pas compatibles avec APak.
- Tout VPN ou autre contrôle de réseau peut devoir être temporairement désactivé pendant la configuration.
- Repérez l'identifiant du dispositif et la matrice de données de l'alarme APak sur l'autocollant supérieur.
- Comme la plupart des appareils connectés à Internet, la connectivité Wi-Fi de l'alarme APak doit être utilisée derrière un pare-feu sécurisé. La plupart des routeurs ont un pare-feu intégré. Consultez un professionnel du réseau pour des questions spécifiques sur les pare-feu.
- *La liste ci-dessus permet également de résoudre les problèmes de connectivité.*

Ces instructions de base ne détaillent pas chaque étape, mais donnent un aperçu de ce que l'application fera.

1. Ouvrez l'application, connectez-vous à votre compte ou créez un compte en utilisant le lien en bas de page. Ouvrez votre profil pour configurer tout numéro de téléphone ou courriel supplémentaire où vous souhaitez recevoir des notifications.
2. Une fois que vous êtes connecté(e) à votre compte, créez des emplacements en appuyant sur le « + » de l'écran Emplacements. Lorsque vous êtes prêt(e) à ajouter un appareil, choisissez le nom de l'emplacement souhaité, puis touchez le « + » pour commencer à ajouter un appareil. Autorisez l'accès à la caméra afin de pouvoir scanner la matrice de données.
3. L'application fournira alors plusieurs écrans d'instructions sur la façon de numériser la matrice de données, de rejoindre le réseau de l'alarme APak, de quitter l'application et de revenir.

Plutôt que de numériser la matrice de données, l'utilisateur peut entrer l'identifiant du dispositif de l'alarme APak pour commencer. Ignorez les avertissements que votre appareil mobile peut vous donner concernant un « réseau non sécurisé » ou « pas de connexion Internet ». L'application se connecte directement avec l'équipement Z Control®, et donc aucune sécurité ou connexion Internet n'est nécessaire.

4. Lorsque l'écran captif s'ouvre (voir la figure J dans la section suivante), utilisez le bouton Wi-fi Scan pour trouver le réseau Wi-fi que vous voulez que APak utilise, sélectionnez-le dans la liste fournie en bas de l'écran (vous devrez peut-être faire défiler) et saisissez la phrase de passe dans le champ. Le voyant Z Control® devrait s'allumer dans la minute qui suit, indiquant que la connexion au routeur et au Z Control® Cloud a réussi. Lors de la première connexion au nuage, le contrôleur APak peut immédiatement mettre à jour son micrologiciel par voie hertzienne (OTA), si une mise à jour est disponible. Si une mise à jour est en cours, le voyant DEL du Z Control® clignotera pendant au plus 1 minute pendant le téléchargement de la mise à jour. Le voyant DEL Z Control® restera allumé et tous les autres voyants DEL s'éteindront pendant l'installation de la mise à jour. Après 1 minute environ, l'alarme APak® redémarrera et reprendra un fonctionnement normal. L'historique des alertes de l'alarme APak sur le Z Control® Cloud sera également mis à jour avec les informations de la mise à jour du micrologiciel et une notification par courriel sera envoyée.
5. Vous devez maintenant retourner à l'application Z Control® pour trouver votre nouvel appareil configuré à l'emplacement que vous avez sélectionné précédemment. Vous pouvez toujours modifier l'emplacement d'un appareil dans votre compte.
6. Ouvrez APak et explorez l'état actuel et les paramètres de configuration.

Utiliser votre appareil mobile ou votre ordinateur pour vous connecter directement au contrôleur APak

Au lieu d'utiliser un appareil mobile et l'application Z Control®, vous pouvez également utiliser votre appareil mobile ou votre ordinateur pour vous connecter directement à APak.

Avant de commencer :

- Vous devez connaître le nom de votre réseau Wi-Fi (c.-à-d. son SSID) et son mot de passe. Vérifier l'exactitude du mot de passe, c'est-à-dire son orthographe et les majuscules. Vous éviterez ainsi des problèmes très habituels.
- Vérifiez que votre appareil mobile dispose d'un réseau Wi-Fi fonctionnel et détecte un signal fort de votre réseau Wi-Fi lorsque vous êtes à côté de l'alarme APak. Si le signal est douteux, votre réseau peut ne pas être en mesure de fournir une connexion stable à APak.

- Vérifiez que votre routeur Wi-Fi est connecté à Internet et qu'il diffuse un réseau visible, sécurisé et de 2,4 GHz.
- Un réseau de 2,4 GHz est nécessaire. Si vous ne voyez que des réseaux 5 GHz, vous devrez peut-être vous connecter à votre routeur bande double pour choisir de diffuser les réseaux séparément.
- Il peut être nécessaire de désactiver temporairement le pilotage de la bande pendant la configuration.
- Le réseau 2,4 GHz doit utiliser la sécurité WPA ou WPA2. Les réseaux WEP et Open ne sont pas compatibles avec APak.
- Tout VPN ou autre contrôle de réseau peut devoir être temporairement désactivé pendant la configuration.
- Créez un compte gratuit sur zcontrolcloud.com.
- Repérez l'identifiant de l'alarme APak sur l'autocollant supérieur.
- La liste ci-dessus permet également de dépanner les problèmes de connectivité.
- Si le contrôleur APak ne se connecte toujours pas après avoir essayé les suggestions ci-dessus, suivez les mêmes étapes pour connecter APak à un point d'accès sans fil de téléphonie mobile au lieu du routeur wi-fi de la maison. Si APak se connecte avec succès au nuage via le point d'accès sans fil, alors le conflit a probablement un rapport avec les paramètres du routeur.

Étapes de connexion :

1. Branchez APak à une alimentation c.a. Le voyant DEL du Z Control® clignote puis s'éteint pour indiquer que l'alarme APak est en mode AP* et transmet un SSID (voir la figure B). Si le voyant DEL clignote et n'est pas en mode AP, réinitialisez APak en coupant le courant, maintenez le bouton Silence appuyé, rétablissez le courant, attendez 5 secondes et relâchez le bouton Silence.

Figure H

Ce voyant DEL doit être éteint lorsque l'alarme APak® est en mode AP.

Lorsque l'utilisateur est connecté à l'alarme APak® pour paramétrer la connexion Wi-Fi®, le voyant DEL clignote.

Lorsque l'alarme APak® est connectée au routeur et au Z Control® Cloud, ce voyant reste allumé.

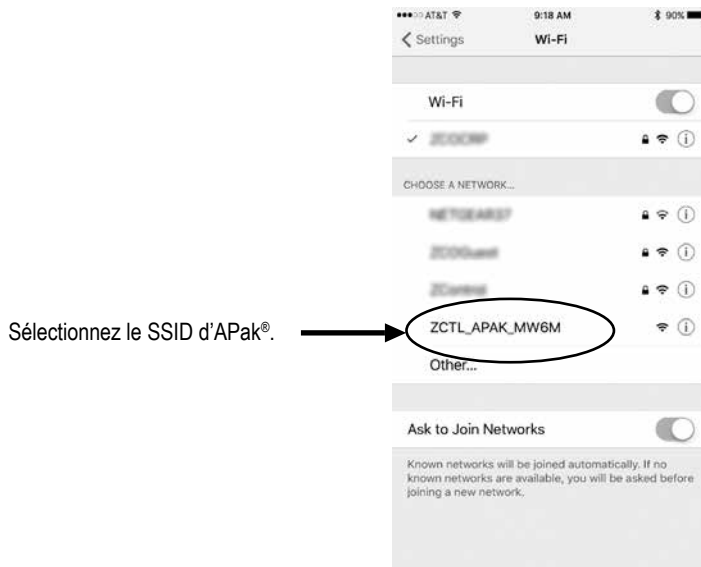
L'alimentation c.a. doit être utilisée pour fonctionner en mode AP.



*Le mode AP signifie que l'alarme APak® diffuse son « nom » ou SSID. Le SSID est au format ZCTL_APak_xxxx, « xxxx » étant les quatre premiers chiffres de l'identifiant de l'alarme APak®. Le SSID de l'alarme APak® s'affichera sur la liste des Wi-Fi® disponibles de votre téléphone/tablette/ordinateur, et en le sélectionnant, vous serez directement connecté à l'alarme APak®. Cette connexion est nécessaire pour transmettre le mot de passe de votre APak® pour se connecter au Wi-Fi® de votre choix.

**Mode pile uniquement. APak® ne diffusera pas le SSID lorsqu'elle est alimentée uniquement par les piles (c.c.). Elle doit disposer d'une alimentation c.a. pour diffuser le SSID. Une fois APak® connectée au Wi-Fi®, l'alimentation c.a. peut être retirée si souhaité. Étant donné que l'alarme APak® a été précédemment alimentée en c.c. et que cette alimentation a été retirée, l'alarme APak® émet un bip sonore toutes les 30 secondes pour indiquer une panne d'alimentation. Pour y remédier, retirez les piles pour couper l'alimentation par pile pendant un moment, puis réinsérez-les. L'alarme APak® ne se déclenchera plus pour les pannes d'alimentation c.a. (sauf si l'alimentation c.a. est appliquée puis retirée). Les voyants DEL et l'alarme se comporteront différemment en la présence de l'alimentation c.a. afin de conserver l'alimentation par pile. En mode pile uniquement, APak® vérifiera le Z Control® Cloud bien moins souvent afin de préserver les piles et pour les faire durer au moins pendant un an.

Figure I



Sélectionnez le SSID d'APak®.

***Le mode AP** signifie que l'alarme APak diffuse son « nom » ou SSID. Le SSID est au format ZCTL_APak_xxxx, « xxxx » étant les quatre premiers chiffres de l'identifiant de l'alarme APak (voir Figure I). Le SSID de l'alarme APak apparaîtra dans la liste des réseaux Wi-Fi disponibles sur votre téléphone/tablette/ordinateur, et en le sélectionnant, vous pourrez vous connecter directement à APak. Cette connexion est nécessaire pour transmettre le mot de passe de votre APak qui permet de se connecter au réseau Wi-Fi de votre choix.

2. En vous tenant près de l'alarme APak, utilisez votre téléphone, tablette ou ordinateur pour chercher le SSID de l'alarme APak dans vos paramètres Wi-Fi (voir la figure I). Il ressemblera à « ZCTL_APak_xxxx », « xxxx » étant les quatre premiers chiffres de l'identifiant de l'alarme APak. Sélectionnez cette option et assurez-vous que votre dispositif affiche une coche ou un indicateur similaire indiquant que vous êtes connecté au réseau local de l'alarme APak. Si c'est le cas, deux choses se produiront :

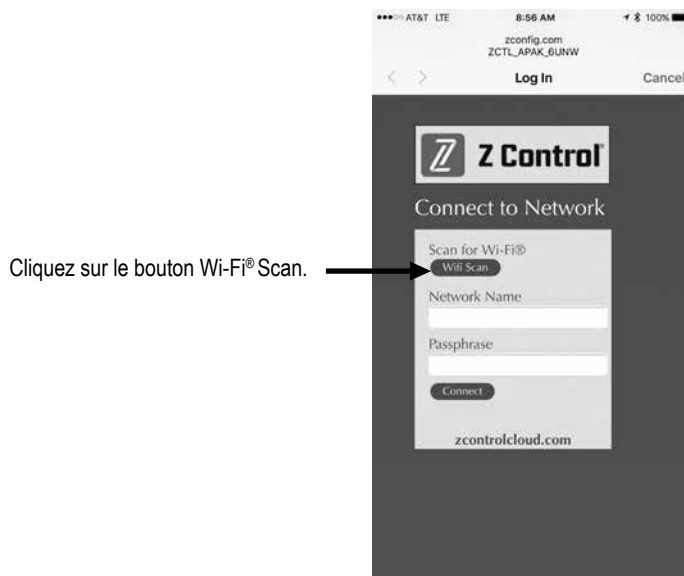
1. Le voyant du Z Control® clignotera rapidement.
2. L'écran de configuration du Z Control® (voir la figure J) s'affichera. Cela peut prendre jusqu'à 30 secondes.

Si l'écran de configuration ne s'affiche pas, ouvrez un navigateur sur le même dispositif et entrez « 192.168.125.1 » dans la barre d'adresse. Si l'écran de configuration s'affiche, mais n'est pas utilisé (annulé ou fermé), l'alarme APak reviendra en mode AP et le voyant DEL Z Control® s'éteindra jusqu'à la prochaine tentative de configuration du Wi-Fi. Si l'écran de configuration ne s'affiche toujours pas, vérifiez que votre dispositif est toujours connecté au SSID de l'alarme APak. Si ce n'est pas le cas, répétez l'étape 2 et assurez-vous que le Wi-Fi de votre dispositif reste connecté à APak. Si votre appareil affiche un message d'avertissement concernant l'absence d'Internet ou de sécurité sur le réseau de l'alarme APak, ignorez ce message et connectez-vous quand même.

3. Sur l'écran de configuration (voir la figure J), appuyez sur le bouton « Wi-Fi Scan », faites défiler le menu pour voir la liste des signaux Wi-Fi trouvés et sélectionnez le réseau Wi-Fi que vous souhaitez que APak utilise pour la connexion Internet. Saisissez le mot de passe du réseau que vous sélectionnez dans le champ indiqué. Si le mot de passe est le bon, l'alarme APak se connectera au réseau et commencera à envoyer des mises à jour de statut à zcontrolcloud.com. Le voyant DEL du Z Control® restera allumé au lieu de clignoter. Cela peut prendre une minute voire un peu plus.

Si le voyant à DEL ne s'allume pas en continu, alors la phrase de passe saisie est erronée, la sécurité du routeur est insuffisante (voir la remarque ci-dessous**) ou une autre restriction de réseau est en place (consultez votre administrateur réseau). L'alarme APak reviendra en mode Attente si la connexion au routeur ne réussit pas. Si vous devez forcer APak à passer de nouveau en mode AP, appuyez sur le bouton Z Control® pendant 12 secondes (voir la figure A). APak reviendra alors en mode AP et recommencera à transmettre son SSID. Répétez les étapes 2 et 3.

Figure J



Cliquez sur le bouton Wi-Fi® Scan.

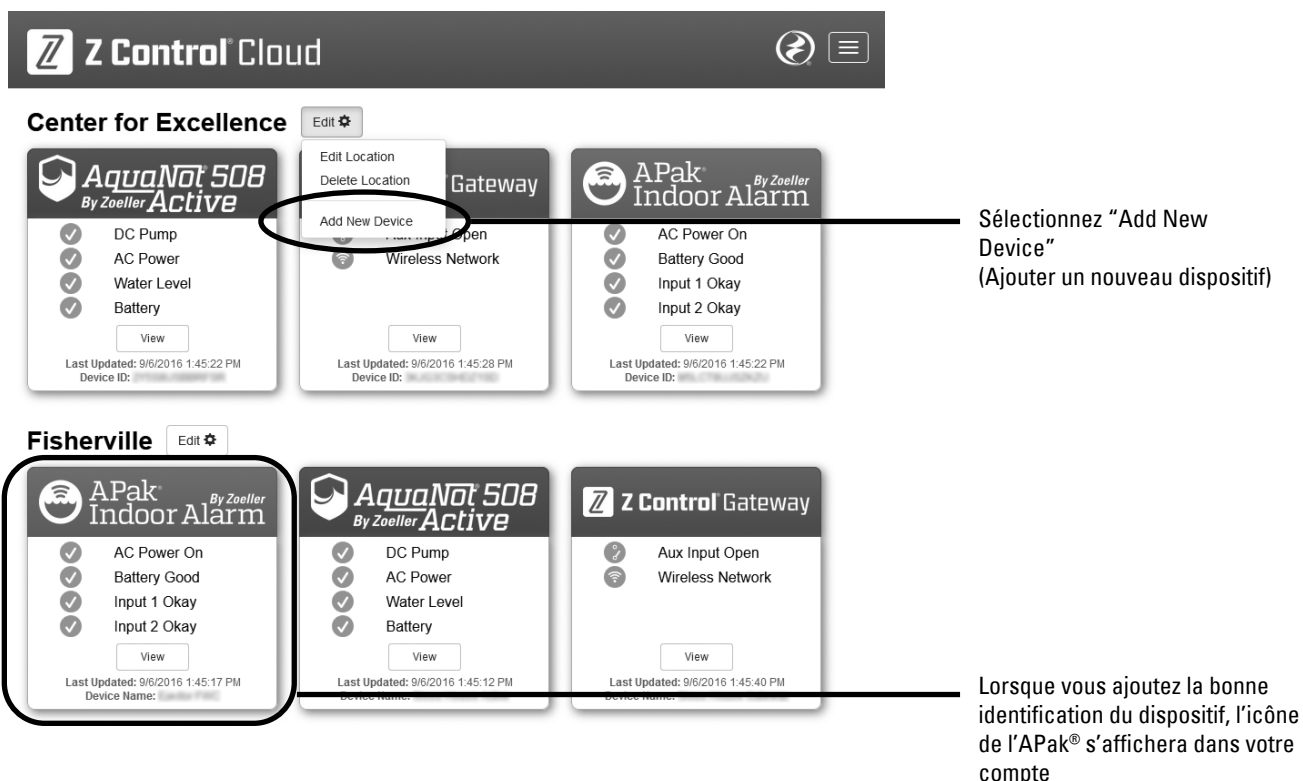
← Les connexions Wi-Fi® disponibles vont s'afficher ici. Sélectionnez celle que vous souhaitez.

**Remarque : APak® ne se connectera pas aux routeurs « WEP » ou « ouverts ».

- Une fois le voyant DEL du Z Control® de l'alarme APak® allumé en permanence, connectez-vous à votre compte (ou créez-en un) sur zcontrolcloud.com (voir Figure K). Allez sur votre compte (ou créez un compte) sur www.zcontrolcloud.com, cliquez sur le bouton « Ajouter un nouvel appareil ». Suivez les instructions pour ajouter votre APak® par autodétection ou en saisissant l'identification de votre dispositif. Une fois la connexion établie, l'icône de l'alarme APak® s'affichera dans votre compte.

L'APak® peut effectuer des mises à jour du micrologiciel mettre à jour « sur les ondes ». L'alarme APak® peut effectuer une mise à jour immédiate si elle est disponible dans le Z Control® Cloud. Si une mise à jour est en cours, le voyant DEL du Z Control® clignotera pendant au plus 1 minute pendant le téléchargement de la mise à jour. Le voyant DEL Z Control® restera allumé et tous les autres voyants DEL s'éteindront pendant l'installation de la mise à jour. Après 1 minute environ, l'alarme APak® redémarrera et reprendra un fonctionnement normal. L'historique des alertes de l'APak® sur le Z Control® Cloud sera également mis à jour avec les informations de la mise à jour du micrologiciel et une notification par courriel sera envoyée.

Figure K



Félicitations ! Votre alarme APak® est connectée. Vous pouvez maintenant ouvrir la configuration en cliquant sur le bouton « Afficher » pour modifier les paramètres du dispositif et de notification de l'APak®.

Vous pouvez également installer l'application mobile Z Control® sur votre dispositif mobile (disponible en version Android ou IOS, à chercher dans la boutique d'applications). Cette application vous permet d'accéder facilement aux données du dispositif. Les fonctions Silence, Réinitialisation et Test sont également comprises. L'application n'est pas actuellement conçue pour paramétrer la Wi-Fi®, créer un compte ou ajouter des dispositifs. Ces étapes peuvent uniquement être effectuées par une interface Internet (on peut accéder à l'interface Internet à l'aide d'un dispositif mobile). La configuration de l'alarme APak® pour utiliser votre Wi-Fi® est terminée une fois l'APak® connectée au Wi-Fi® interne (comme indiqué dans les étapes de connexion ci-dessus).

COMPORTEMENT DE DEL APAK®, BOUTON, ALARME ET Z CONTROL®

		Mode c.a. et c.c.	Mode c.a. uniquement	Mode c.c. uniquement
Comportement des voyants DEL et de l'alarme	Voyant DEL de l'alimentation	Le voyant DEL de l'alimentation est allumé lorsque l'alimentation c.a. et c.c. est présente.	Le voyant DEL de l'alimentation est allumé lorsque l'alimentation c.a. est présente.	Le voyant DEL de l'alimentation est éteint uniquement lorsque seules des piles sont insérées, mais clignotera lorsque le bouton est appuyé.
	Entrée 1 ou 2 de l'alarme	Voyant DEL d'entrée fixe Alarme émet un triple bip en permanence.	Voyant DEL d'entrée fixe Alarme émet un triple bip en permanence.	Voyant DEL clignote et alarme émet un double bip toutes les 5 secondes.
	Alarme de batterie faible	Voyant DEL de l'alimentation clignote. Alarme émet un triple bip toutes les 5 secondes.	S.O.	La DEL d'alimentation clignote et l'alarme retentit toutes les 10 secondes.
	Alarme de panne d'alimentation	Tous les DEL s'éteignent pour conserver l'alimentation des piles. Voyant DEL clignote et alarme émet un double bip toutes les 30 secondes.	S.O.	S.O.
	DEL Z Control®	Le voyant DEL reste allumé lorsque l'alarme APak® est connectée au routeur et au Z Control® Cloud. Le voyant DEL est éteint lorsque l'alarme APak® est en mode AP.* Le voyant DEL clignote lorsque le processus de configuration Wi-Fi® est en cours. Le voyant DEL clignote plus rapidement si l'alarme APak® tente de se connecter à un routeur connu. Le voyant DEL alterne entre des clignotements rapides et lents lorsque l'alarme APak® est connectée au routeur, mais que la connexion est perdue.	Le voyant DEL reste allumé lorsque le dispositif est connecté au routeur et au Z Control® Cloud. Le voyant DEL est éteint lorsque l'alarme APak® est en mode AP.* Le voyant DEL clignote lorsque le processus de configuration Wi-Fi® est en cours. Le voyant DEL clignote plus rapidement si l'alarme APak® tente de se connecter à un routeur connu. Le voyant DEL alterne entre des clignotements rapides et lents lorsque l'alarme APak® est connectée au routeur, mais que la connexion est perdue.	Afin de préserver les piles, le voyant DEL du Z Control® s'allume faiblement pendant la connexion au routeur et s'éteint lorsque le module Wi-Fi® est en mode « consommation réduite ». L'alimentation c.a. est nécessaire pour la configuration Wi-Fi® (voir consignes). Pour tester la connectivité, déclenchez une entrée.
Bouton Silence	Appuyer / Relâcher	Arrête le signal sonore des alarmes. Le voyant DEL qui est en état d'alarme reste allumé (ou clignote) jusqu'à la réinitialisation de l'APak®.	Arrête le signal sonore des alarmes. Le voyant DEL qui est en état d'alarme reste allumé (ou clignote) jusqu'à la réinitialisation de l'APak®.	Arrête le signal sonore de l'alarme. Le voyant DEL clignote encore toutes les 5 secondes jusqu'à ce que l'alarme soit réinitialisée. En mode veille, un bip court est émis pour indiquer que l'alarme APak® est prête.
	Maintenir appuyé pendant 2 secondes	Réinitialise toute alarme active et l'alarme APak® repasse en mode veille.	Réinitialise toute alarme active et l'alarme APak® repasse en mode veille.	Réinitialise toute alarme active et l'alarme APak® repasse en mode veille.
	Maintenir appuyé pendant 4 secondes	Lance un test du voyant DEL et de l'alarme. Clignotement et émission d'un double bip 3 fois.	Lance un test du voyant DEL et de l'alarme. Clignotement et émission d'un double bip 3 fois.	Lance un test du voyant DEL et de l'alarme. Clignotement et émission d'un double bip 3 fois.
	Maintenir appuyé tout en appliquant l'alimentation c.a. à l'alarme APak®	L'alarme APak® passera en mode AP*. Pour que l'alarme APak® retrouve les paramètres Wi-Fi® précédents, remettez-la sous tension.	L'alarme APak® passera en mode AP*. Pour que l'alarme APak® retrouve les paramètres Wi-Fi® précédents, remettez-la sous tension.	L'alarme APak® passera en mode AP*. Pour que l'alarme APak® retrouve les paramètres Wi-Fi® précédents, remettez-la sous tension. Lire la note sur « mode piles uniquement ».
	Maintenir appuyé pendant 12 secondes	Réinitialisation aux paramètres d'usine, dont la suppression des paramètres Wi-Fi®. L'alarme APak® passera en mode AP*.	Réinitialisation aux paramètres d'usine, dont la suppression des paramètres Wi-Fi®. L'alarme APak® passera en mode AP*.	Réinitialisation aux paramètres d'usine, dont la suppression des paramètres Wi-Fi®.
Communications et durée de vie des piles	Communication avec Z Control® Cloud	La communication est presque permanente.	La communication est presque permanente.	Limitée à une fois par jour pour préserver les piles.
	Communication avec la perte du Z Control® Cloud	Notification envoyée à l'utilisateur après 10 minutes sans communication.	Notification envoyée à l'utilisateur après 10 minutes sans communication.	Notification envoyée à l'utilisateur après 24 heures sans communication.
	État de l'alarme Présent	Communication immédiate avec Z Control® Cloud	Communication immédiate avec Z Control® Cloud	Communication immédiate avec Z Control® Cloud
	Sortie auxiliaire	Déclenchée pour les alarmes d'entrée 1, d'entrée 2, et de panne d'alimentation et de piles faibles	Déclenchée pour les alarmes d'entrée 1, d'entrée 2	Ne fonctionne pas*
	Durée de la batterie	1 à 2 ans dans des conditions normales d'utilisation	S.O.	Environ 1 an dans des conditions normales d'utilisation

*Le mode AP signifie que l'alarme APak® diffusera son « nom » ou SSID. Le SSID est au format ZCTL_APAK_xxxx, « xxxx » étant les quatre premiers chiffres de l'identifiant de l'alarme APak®. Le SSID de l'alarme APak® s'affichera sur la liste des Wi-Fi® disponibles de votre téléphone / tablette / ordinateur, et en le sélectionnant, vous serez directement connecté à l'alarme APak®. Cette connexion est nécessaire pour transmettre le mot de passe de votre APak® pour se connecter au Wi-Fi® de votre choix.

Il s'agit ici d'une traduction des instructions d'origine.



ADRESSE POSTALE : P.O. BOX 16437 • Louisville, KY 40256-0347 USA
ADRESSE PHYSIQUE : 3649 Cane Run Road • Louisville, KY 40211-1961 USA
TÉL : +1 (502) 778-2731 • FAX : +1 (502) 774-3624

Visitez notre site internet :
zoellerpumps.com

Trusted. Tested. Tough.®

© Copyright 2021 Zoeller® Co. Tous droits réservés.