

PRODUCT SPECIFICATIONS

Elkay Stainless Steel 48" x 24" x 36" 16 Gauge Flat Top Work Table with Stainless Steel Legs and Undershef. Sink is manufactured from 16 gauge Stainless Steel with a #4 Finish .

Material:	Stainless Steel
Finish:	#4 Finish
Gauge:	16
Weight Without Packaging:	82
Number of Bowls:	0
Sink Dimensions:	48" x 24" x 36"
Leg Type:	Stainless Steel

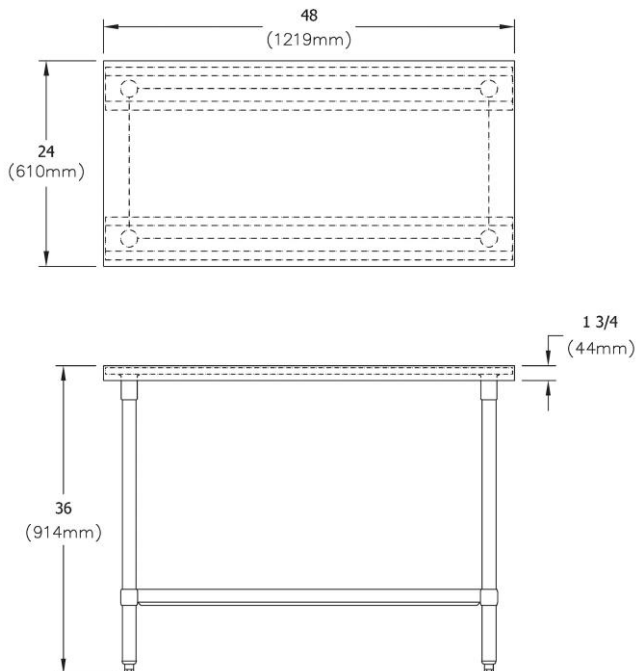
Special Note: 18 Gauge Stainless Steel Undershef



Included with Product: Undershef, stainless steel legs, and adjustable bullet feet.

A Century of Tradition and Quality. For more than 100 years, Elkay has been making innovative products and providing exceptional customer care. We take pride in offering plumbing products that make life easier, inspire change and leave the world a better place.

Product Compliance: NSF 2



PART: _____ QTY: _____

PROJECT: _____

CONTACT: _____

DATE: _____

NOTES: _____

APPROVAL: _____

In keeping with our policy of continuing product improvement, Elkay reserves the right to change product specifications without notice. Please visit elkay.com for the most current version of Elkay product specification sheets. This specification describes an Elkay product with design, quality, and functional benefits to the user. When making a comparison of other producers' offerings, be certain these features are not overlooked.