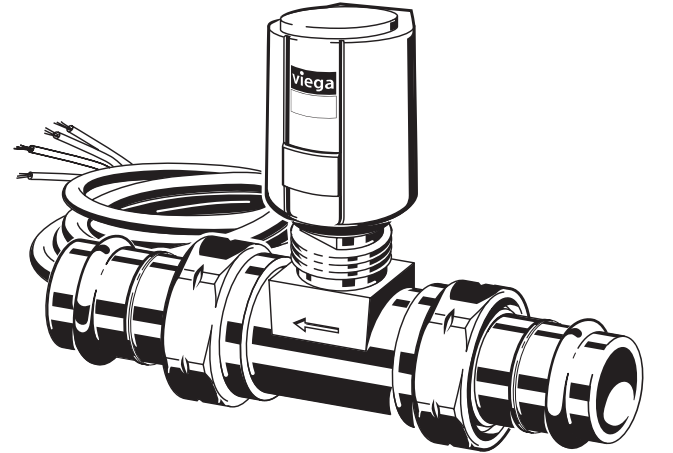


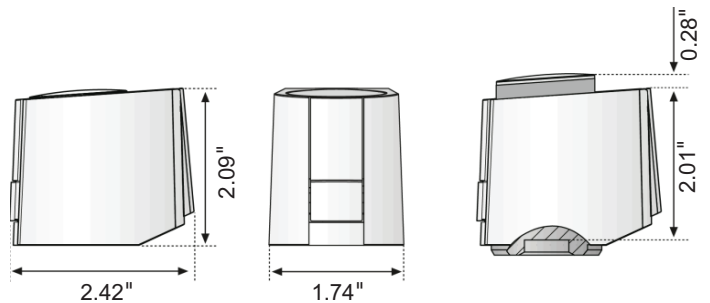
Viega® Zone Valve

Viega zone valves are used to control the flow of fluid within a hydronic heating or cooling system. They do so by opening when there is a thermostat demand, and closing when the demand has been met. Viega zone valves are available in 3/4" and 1", with three different connection types, ProPress x ProPress, ProPress x PEX Press and solder x PEX Press.



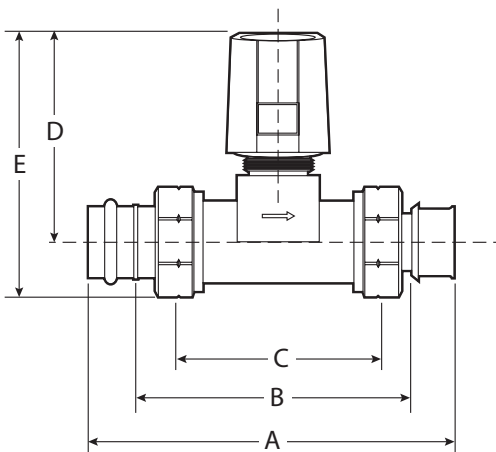
Technical Data:

Voltage:	24 Volts
Max inrush current:	300 mA, for 2 minutes
Operating power:	1w
Closing/opening time:	Approximately 3 minutes
Max pressure differential:	50 psi
Cv rating 3/4" valve:	4.0
Cv rating 1" valve:	8.5
Fluid temperature:	32°-212°F
Stem travel:	4mm
Actuating force:	21 lbs
Body material:	Low zinc bronze, alloy C84400



Dimensions

Installation Height



Zone Valve Dimensions

Part Number	Description	A	B	C	D	E
17230	3/4" Solder x PEX Press	4.70"	3.25"	2.50"	3.60"	4.25"
17231	1" Solder x PEX Press	6.25"	4.60"	3.60"	3.75"	4.60"
17232	3/4" PP X PP	5.60"	3.80"	2.50"	3.60"	4.25"
17233	1" PP X PP	6.86"	5.20"	3.60"	3.75"	4.60"
17234	3/4" PP X PEX Press	5.10"	3.80"	2.50"	3.60"	4.25"
17235	1" PP X PEX Press	6.62"	5.28"	3.60"	3.75"	4.60"

This document subject to updates. For the most current Viega technical literature please visit www.viega.us.
Click Services -> Click Electronic Literature Downloads -> Select Product Line -> Select Desired Document

Viega LLC, 100 N. Broadway, 6th Floor • Wichita, KS 67202 • Ph: 800-976-9819 • Fax: 316-425-7618