

Climate Panel

Climate panels are a plywood dry mass radiant panel system designed to be attached to the subfloor. Once attached the climate panel will accept $\frac{5}{16}$ " ViegaPEX® Barrier tubing.

The panels are constructed of CCX fir plywood with an aluminum heat transfer sheet underneath for even heat distribution and high performance output. U-turn strips allow tubing to be turned around at each end of the room to connect with the next row of panels.

Specifications

Plywood

Product Designation:
CANPly Exterior/Interior Plywood

Nominal Thickness: $\frac{1}{2}$ "

Manufacturing Standard:

PS1-95 US

CSA 0121-M 1978 Canada

CANPly standards and policy

Grade: Sheathing (CCX by PS 1-95)

Glue

Bordens 2022 Phenol

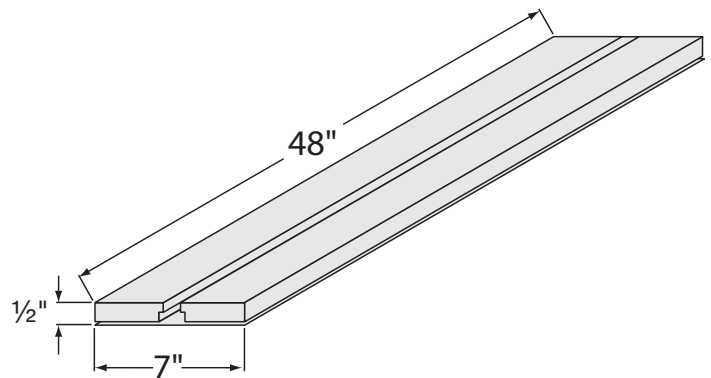
Formaldehyde

Resin

Exterior Bond Type

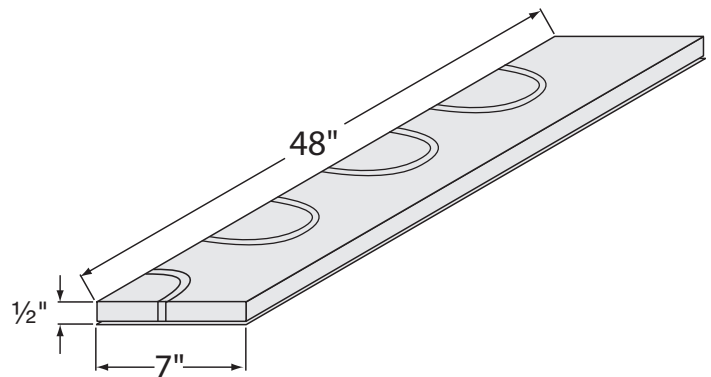
Aluminum

0.012" thick



Dimensions

Climate Panel Nominal
7" x 48" x $\frac{1}{2}$ "



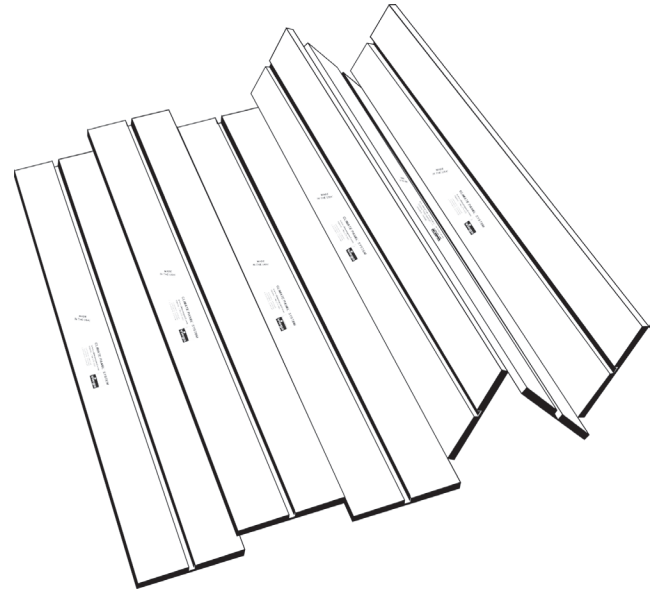
Dimensions

U-Turn Nominal
7" x 48" x $\frac{1}{2}$ "

Assembled Climate Panel

Assembled climate panels are a plywood dry mass radiant panel system designed to be attached to the subfloor. Once attached the climate panel will accept 5/16" ViegaPEX Barrier tubing. However they differ from standard climate panels in that six panels are attached in a hinged accordion manner allowing the installation of six panels at once.

Assembled climate panels are constructed of CCX fir plywood with an aluminum heat transfer sheet underneath for even heat distribution and high performance output. U-turn strips allow tubing to be turned around at each end of the room to be connect with the next row of panels.



Specifications

Plywood

Product Designation:
CANPly Exterior/Interior Plywood

Nominal thickness: 1/2"

Manufacturing Standard:
PS1-95 US
CSA 0121-M1978 Canada
CANPly Standards and policy

Grade:
Sheathing (CCX by PS1-95)

Dimensions:
7" spacing: 48" x 41"
Stock code: 14025
2" Stagger between panels

Glue

Bordens 2022 Phenol
Formaldehyde
Resin
Exterior Bond Type

Hinging Tape

2" Fiberglass reinforced

Aluminum

0.012" thick

Multi-run

A multi-run climate panel set consists of five multi-run climate panels and six multi-run access pieces. This set is designed to supply a room that is approximately 350 sq. ft., or three circuits (these circuits are based on 250 ft. lengths of $\frac{5}{16}$ " tubing with 15 ft. supply and return leaders included). The set does not include multi-run nineties, regular climate panels, assembled climate panel or u-turn strips.

Specifications

Plywood

Product Designation:
CANPLY Exterior/Interior Plywood

Nominal thickness: $\frac{1}{2}$ "

Manufacturing Standard:
PS1-95 US
CSA 0121-M1978 Canada
CANPLY Standards and policy

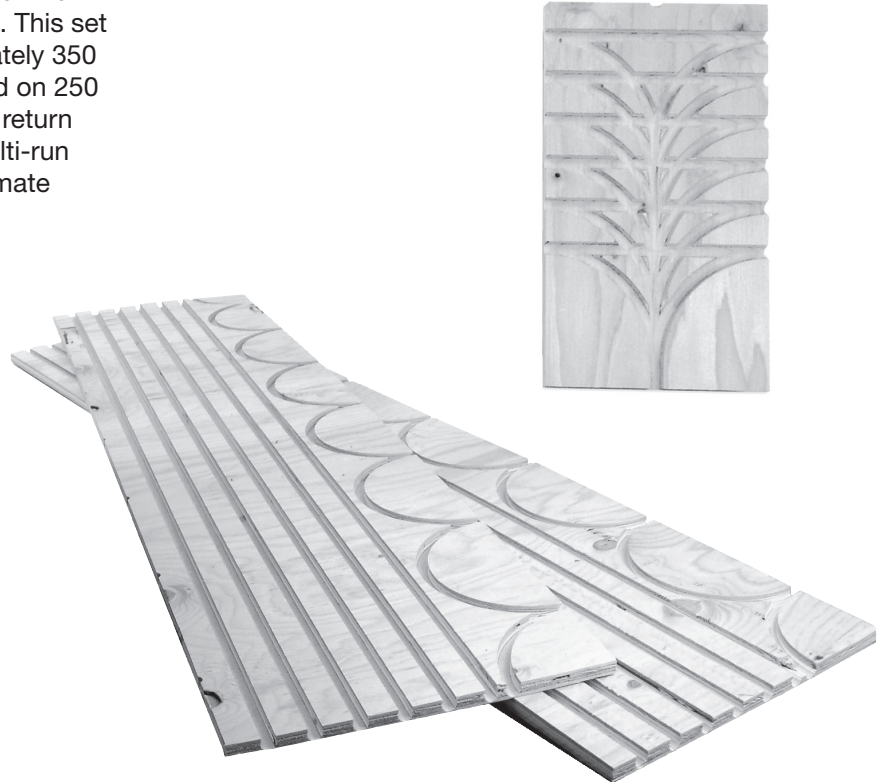
Grade:
Sheathing (CCX by ps1-95)

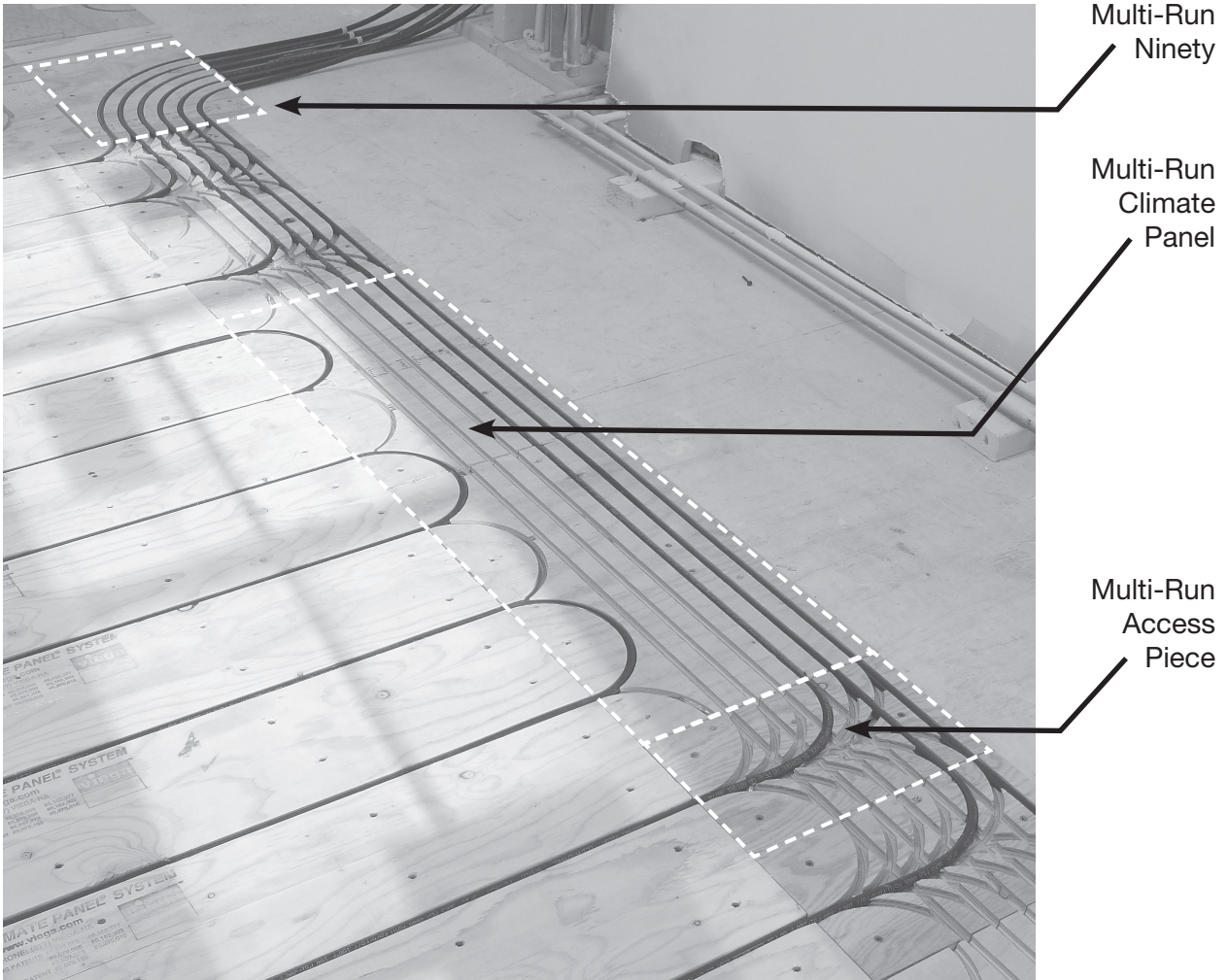
Glue

Bordens 2022 Phenol
Formaldehyde
Resin
Exterior Bond Type

Dimensions

Multi-run 90: 11.81" x 11.81"
Multi-run Climate Panel: 48" x 11.81"
Multi-run Access pieces: 11.81" x 6.80"





Stock Code	Product Description	Package Quantity
14050	Multi-Run Climate Panel - 7" Spacing	5
14055	Multi-Run Access Piece	6
14060	Multi-Run Ninety	5
14065	Multi-Run Climate Panel Set	5 Panels & 6 Access Pieces

A multi-run climate panel set consists of five multi-run climate panels and six multi-run access pieces. This set is designed to supply a room that is approximately 350 sq. ft., or three circuits (these circuits are based on 250 ft. lengths of $5/16"$ tubing with 15 ft. supply and return leaders included). The set does not include multi-run nineties or regular climate panels and u-turn strips.

This document subject to updates. For the most current Viega technical literature please visit www.viega.us.
 Click Services -> Click Electronic Literature Downloads -> Select Product Line -> Select Desired Document

Viega LLC, 100 N. Broadway, 6th Floor • Wichita, KS 67202 • Ph: 800-976-9819 • Fax: 316-425-7618