

Submitted by: _____

Date: _____

Stamped Face Supply

Side Wall / Ceiling

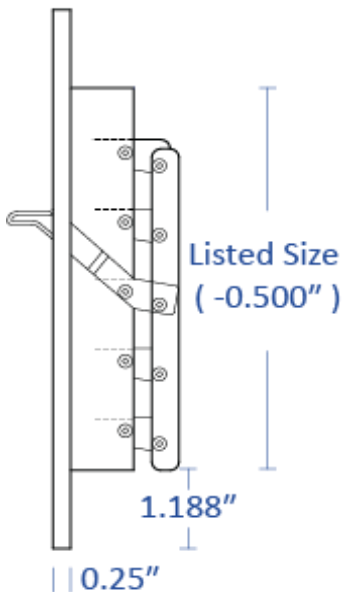
Model:



- Multi-shutter Damper
- Opposed Blade Damper

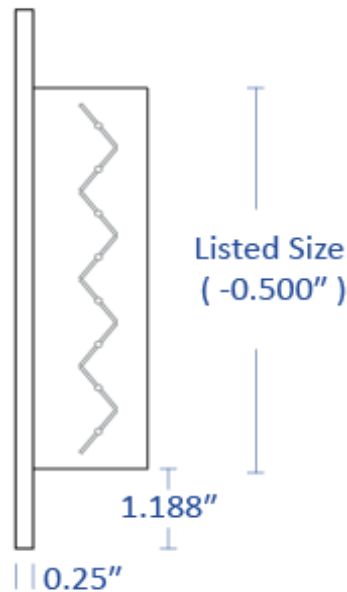
Multi-Shutter Damper

±1 7/16"±



Opposed Blade Damper

±1 11/16"±



Model Features

- Stamped 2 way air pattern
- 1/2" fin spacing with 45° blade angle
- Durable white powder coat finish

Material: Steel

Face: Stamped

Model Size:

Project Name: _____

Architect: _____

Project Location: _____

Engineer: _____

Contractor: _____