

# MultiChoice® Universal Pressure Balance Tub and Shower

**TECK**  
COMMERCIAL

**DELTA**

## SPECIFICATION: (EXAMPLE)

### □ R10000-UNWS ROUGH-IN ONLY

- Concealed in-wall MultiChoice® Universal valve
- Back-to-back capability, Integral screwdriver stops
- **Heavy duty forged brass** valve body
- 1/2" Universal inlets to accept 1/2" copper, 1/2" iron pipe, PEX or CPVC adaptors
- 1/2" Male thread inlets/outlets

### □ T13H \_\_\_\_\_ FINISH TRIM ONLY:

- Pressure balancing cartridge with checks
- Polished chrome plated finish
- ADA compliant handle
- Non-removeable red/blue temperature markings and ... with ... (add product variation) with ... (add shower) with ... (add valve handle)

T13H153



T13H162



Requires rough-in and trim to have complete product.

### Engineer/Architect Approval

Model Specified:

Approval:

Date:

## MODEL NUMBER EXAMPLE:

Configurations vary, see below for availability.

# T 1 3 H 1 5 2 - 25

### Variation

- 1 = Shower valve
- 2 = Tub & shower valve with pull-up diverter tub spout\*
- 3 = Shower valve with diverter for dual showers. See DSP-T13H3.
- 9 = Tub & shower valve with diverter for dual showers.\* See DSP-T13H3.

### Shower

- 0 = No shower head
- 2 = 3-function Touch-Clean® shower head/arm/flange
- 3 = Touch-Clean® shower head/arm/flange
- 5 = Hand Shower with 24" SS grab bar and ADA slide
- 6 = 30° VR wallmount shower head
- 8 = H<sub>2</sub>Okinetic® shower head/arm/flange

### Handle

- 2 = 3.33" (85 mm) metal lever
- 3 = 2.24" (57 mm) lever blade

### Options/Add-Ons

- 05 = 36" SS grab bar, replacing 24" bar
- 20 = 69 - 92" stretchable SS hose, replacing vinyl hose
- 25 = 36" SS grab bar AND 69 - 92" stretchable SS hose, replacing replacing 24" bar and vinyl hose

AVAILABLE MODELS	VARIATION			
	1	2		
	Shower Valve ONLY	Tub and Shower*		
	HANDLE		HANDLE	
	2	3	3	
	Vandal Resistant Metal Lever 3.33" (85 mm)	Vandal Resistant Lever Blade 2.24" (57 mm)	Vandal Resistant Lever Blade 2.24" (57 mm)	
<b>SHOWER</b>	<b>0</b> No Shower Head (Note 1)	T13H102	T13H103	
	<b>2</b> 3-Function Touch-Clean® Shower Head, Arm, Flange 1.75 gpm (6.6 L/min)	T13H122	T13H123	
	<b>3</b> Shower Head, Arm, Flange 1.5 gpm (5.7 L/min)	T13H132	T13H133	T13H233
	<b>5</b> Hand Shower with 2 Check Valves, 24" (610 mm) SS Bar with ADA Slide 1.5 gpm (5.7 L/min)	T13H152 T13H152-05 T13H152-20 T13H152-25	T13H153 T13H153-05 T13H153-20 T13H153-25	
	<b>6</b> 30° Vandal Resistant Cast Wallmount Shower Head 1.5 gpm (5.7 L/min)	T13H162	T13H163	
	<b>8</b> H <sub>2</sub> Okinetic Technology® Shower Head, Arm, Flange 1.5 gpm (5.7 L/min)	T13H182	T13H183	T13H283

See DSP-B-R10000-HDF for additional rough-in options. See DSP-SHWA and DSP-SHWB for additional shower options.

Note 1: Valve rated minimum 1.2 gpm @ 45 psi (4.5 L/min @ 310 kPa).

\*Tub spout diverter not ADA

Note: Use this page front and back as a product submittal sheet.

Refer to www.specselect.com for individual models.

Stated flow rate for shower heads @ 80 psi (552 kPa) maximum.

Delta reserves the right (1) to make changes in specifications and materials, and (2) to change or discontinue models, both without notice or obligation. Dimensions are for reference only. See current full-line price book or www.specselect.com for finish options and product availability.


**DSP-T13H1** Rev. N

# MultiChoice® Universal Pressure Balance Tub and Shower

**TECK**  
COMMERCIAL

**DELTA**

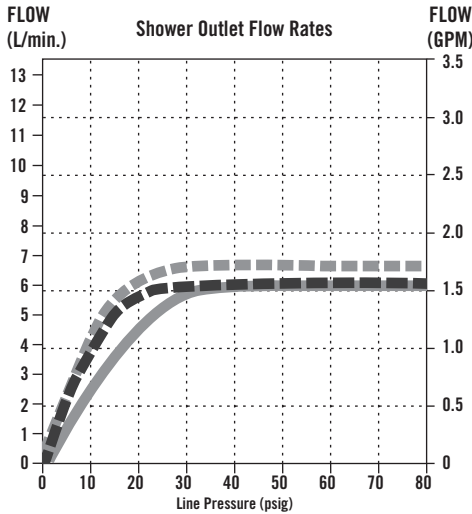
## APPROVALS:

- CSA certified
- Complies to ASME A112.18.1/CSA B125.1
-  Indicates compliance to ICC/ANSI A117.1
- Tub spout diverter NOT ADA
- Pressure Balance Valve complies with ASSE 1016
- Hand Shower back flow protection provided by two integral certified check valves in series, which operate independently, ASME A112.18.3

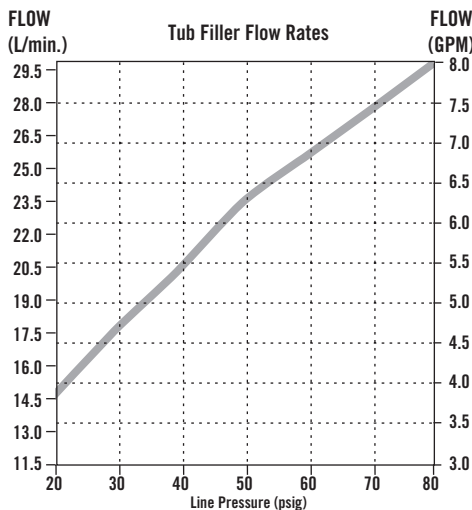
(Contact Delta Representative for State and/or Local Approvals.)



## FLOW RATE vs PRESSURE

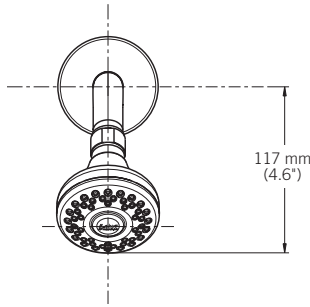


## FLOW RATE vs PRESSURE

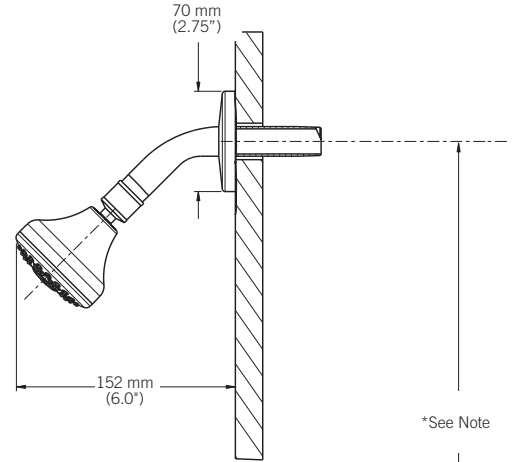


## R10000-UNWS ROUGH-IN WITH T13H132 TRIM

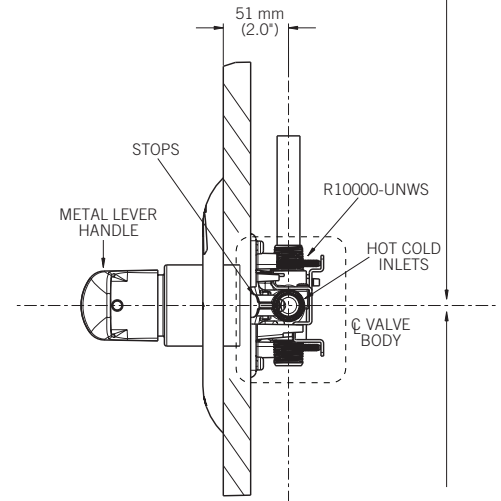
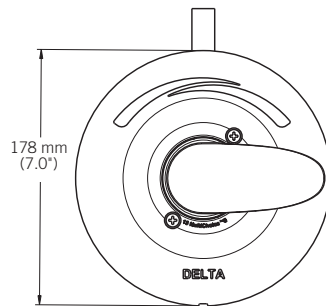
### FRONT VIEW



### SIDE VIEW



\*See Note



\*See Note

TO FLOOR

### P/B VALVE INLETS:

- 1/2" Universal inlets accept 1/2" copper,
- 1/2" Iron pipe, PEX or CPVC adaptors
- 1/2" Male thread inlets/outlets

\*CHECK WITH LOCAL CODE AUTHORITIES FOR MOUNTING HEIGHT REQUIREMENTS.

**NOTE FOR SHOWER #6:** Not for use as an anti-ligature device.

### PAUSE WARNING – FOR SHOWER #5

Plumbing Codes require that shower heads and hand showers provide a small but continuous flow of water (trickle) when in "PAUSE" mode. Because of this continuous flow, in certain circumstances pressure variations in the water line and/or changes in the position of the shower temperature control handle while in "PAUSE" mode could result in dramatic changes to the temperature of the water when the shower head or hand shower is returned to the "ON" position.

ALWAYS point the shower head away from yourself when returning to the "ON" position and feel the water with your hand before resuming your shower to ensure the water flow is not too hot or too cold. DO NOT allow children or others who might not understand this warning to use the "PAUSE" function.

Note: Measurements may vary ± 6mm (0.25")