

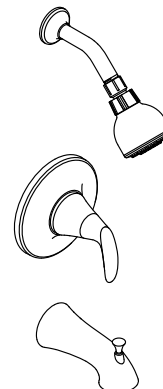


# Valton™

## Bath and shower faucet trim set TS24820-4G

### Features

- Single handle controls both on/off activation and temperature settings.
- Antiscald protection.
- Single-function 1.75 gpm (6.6 lpm) showerhead with Katalyst® air-induction technology.
- MasterClean™ sprayface features an easy-to-clean surface that withstands mineral buildup.
- 5-1/16" (129 mm) diverter bath spout with slip-fit connection.
- Includes faceplate with ADA-compliant metal level handle.
- Coordinates with other products in the Valton collection.
- Pressure-balancing diaphragm technology maintains outlet temperature within +/-3°F during water pressure fluctuations.



### Material

- Premium metal construction for durability and reliability.
- KOHLER finishes resist corrosion and tarnishing.

### Installation

- Wall-mount.
- Trim only; requires valve to complete installation (sold separately).

### Required Products/Accessories

K-8304/K-P8304 Series Rite-Temp® Valve & Cartridge Kits

### Recommended Products/Accessories

K-23723 Faucet cleaner

### Optional Products/Accessories

K-10350 Deep rough-in kit

K-10351 Test cap for K-8300 Series valve bodies



### Codes/Standards

ASME A112.18.1/CSA B125.1

DOE - Energy Policy Act 1992

EPA WaterSense®

California Energy Commission (CEC)

### STERLING® Faucet Lifetime Limited Warranty

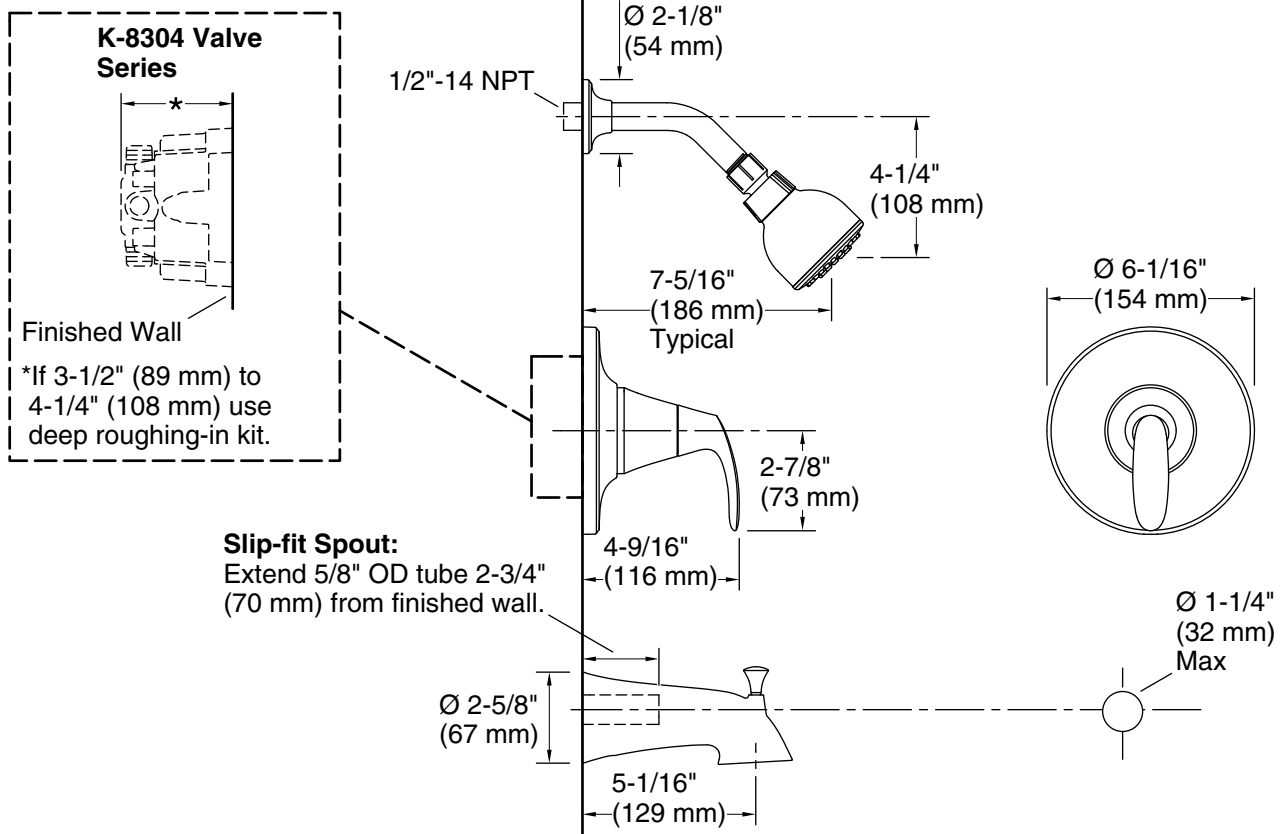
See website for detailed warranty information.

1-800-STERLING (1-800-783-7546)

Kohler Co. reserves the right to make revisions without notice to product specifications.

For the most current Specification Sheet, go to [www.sterlingplumbing.com](http://www.sterlingplumbing.com).

10-13-2021 13:56 - US/CA



**Technical Information**

All product dimensions are nominal.

Drain included: No

**Spout:**

Spout reach: 5-1/16" (128 mm)

**Showerhead/Body Spray:**

Rated maximum flow: 1.75 gal/min (6.6 l/min)

Pressure: 45 psi (3.1 bar)

**Notes**

Install this product according to the installation instructions.