



# Intrigue™

## Framed neo-angle corner shower door

### SP2276A-38

#### Features

- Frameless.
- Framed, 1/8" (3 mm) thick tempered glass.
- Full-length handle.
- Tempered glass ensures maximum safety and durability.
- Fits STERLING® Intrigue™ neo-angle shower, Series 7204, only.

#### Material

- Anodized aluminum prevents rust and corrosion.

#### Installation

- Out-of-plumb adjustability simplifies installation.
- Door can be installed to open to the left or right to suit your bathroom layout.
- Not for use in hospitality.
- For residential use only.

#### Recommended Products/Accessories

- 72041100 39" x 39" neo-angle shower base
- 72040100 39" x 39" x 79" tile neo-angle shower stall
- K-23723 Faucet cleaner

#### Included Components

- Additional Components:  
Hardware kit



#### Codes/Standards

- ANSI Z97.1
- CPSC 16CFR 1201



#### STERLING® Warranty - Bath and Shower Doors

See website for detailed warranty information.

#### Available Colors/Finishes

*Color tiles intended for reference only.*

#### Color Code Description

|   |   |        |
|---|---|--------|
|  | N | Nickel |
|  | S | Silver |

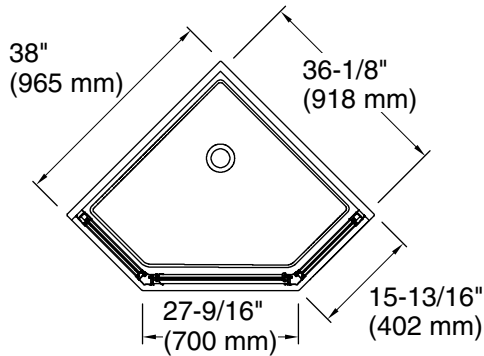
#### Available Glass Options

| Code | Description |
|------|-------------|
|      | Ellipse     |
|      | Rain        |

1-800-STERLING (1-800-783-7546)

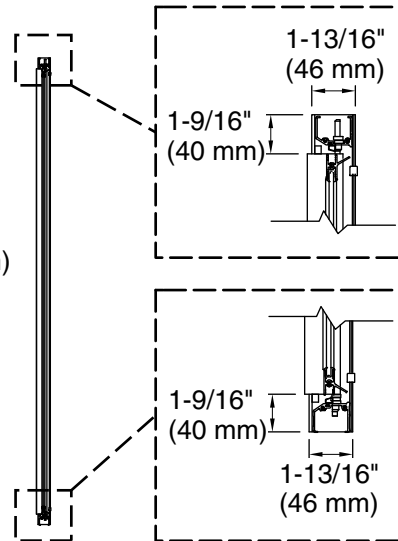
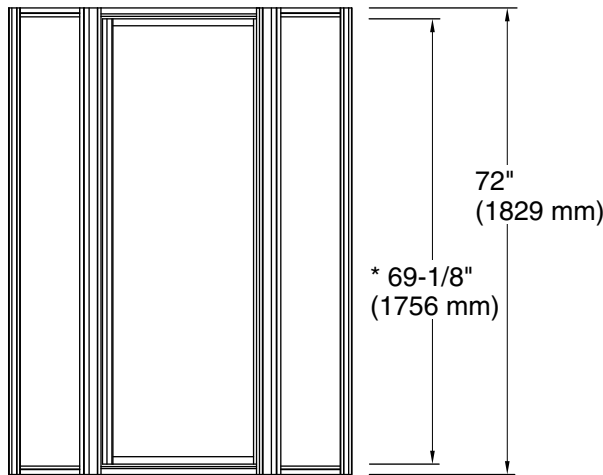
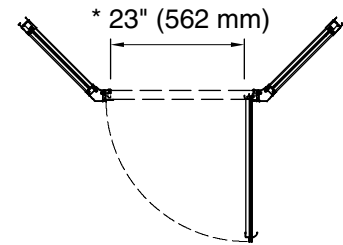
Kohler Co. reserves the right to make revisions without notice to product specifications.

For the most current Specification Sheet, go to [www.sterlingplumbing.com](http://www.sterlingplumbing.com).



Note: Dimensions are taken on centerline of curb/threshold at the rough opening.

\* Walk-through



**Technical Information**

All product dimensions are nominal.

- Installation type: For shower base installation
- Walk-through - Min: 23" (584 mm)
- Walk-through - Max: 27-9/16" (700 mm)
- Base-To-Wall Radius - Max: 3/8" (10 mm)
- Glass thickness: 1/8" (3 mm)

**Notes**

- Install this product according to the installation guide.
- The vertical opening should be a minimum of 75-1/2" (1918 mm) to allow for installation clearance.