



# Ensemble™

60" x 32" curve shower stall w/AIP backerboards  
72180120



## Features

- 3-1/2" threshold.
- Durable high-gloss finish.
- Three-piece tongue-and-groove walls with snap-together installation.
- Convenient shelves, shaving ledge/footrest.

## Material

- Made from solid Vikrell® material for strength, durability, and lasting beauty.

## Installation

- Alcove.
- Right drain.
- Some caulk required for proper installation.

## Recommended Products/Accessories

- K-23726 Drain treatment
- K-23733 Vikrell® cleaner

## Included Components

Product consists of:

- 72232100 60" x 72-1/2" curve shower back wall
- 72181120 60" x 32" right-hand shower base
- 72185100 32" x 71-1/4" shower end wall set



## Codes/Standards



- CSA B45.5/IAPMO Z124
- ASTM E162
- ASTM E662
- HUD, UM Bulletin 73

## Warranty – Bathing Fixtures (and) Kitchen and Utility Sinks Made of Solid Vikrell® Material

See website for detailed warranty information.

## Available Colors/Finishes

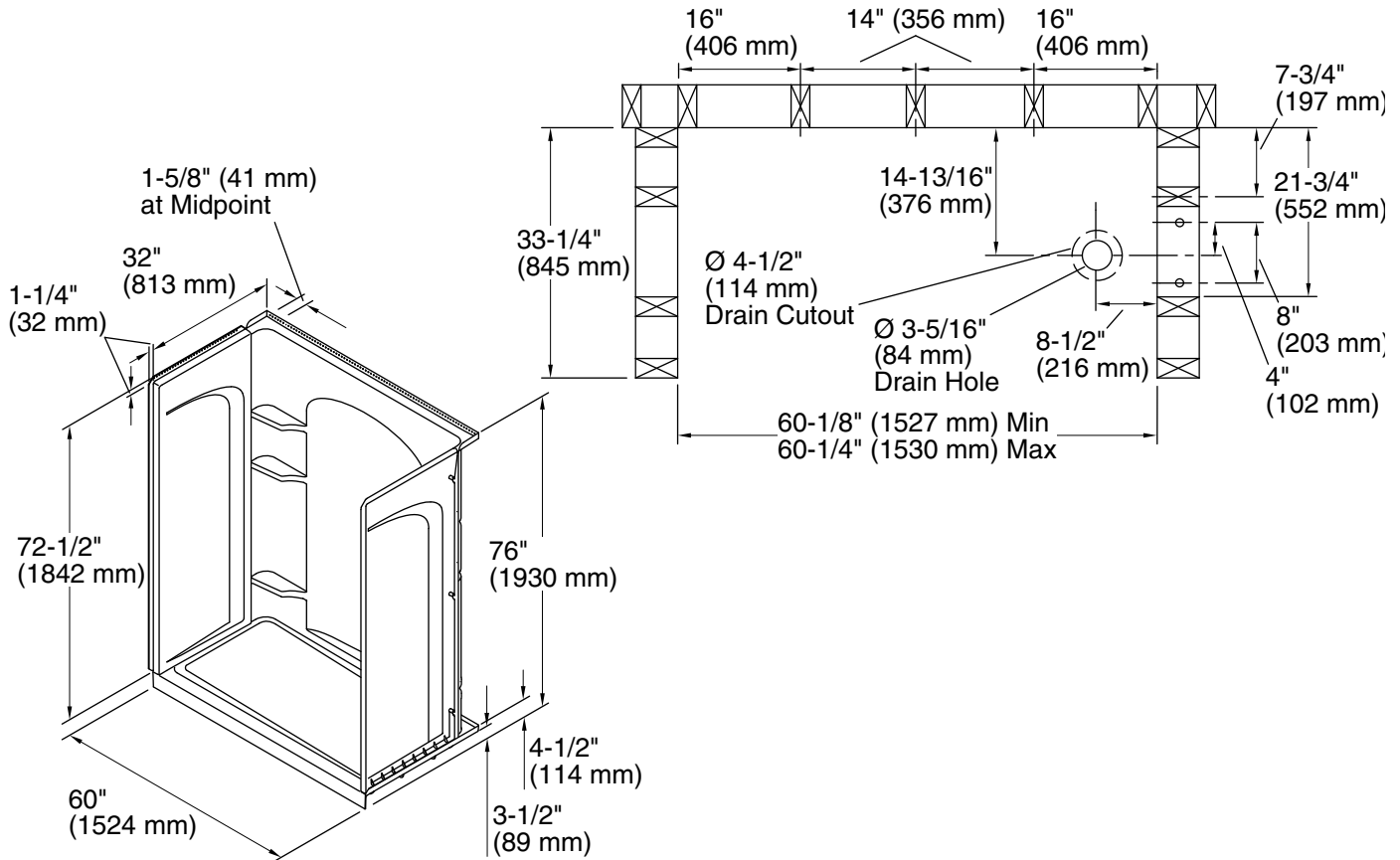
*Color tiles intended for reference only.*

| Color   | Code | Description    |
|---|------|----------------|
|  | 0    | White          |
|  | 96   | KOHLER Biscuit |

1-800-STERLING (1-800-783-7546)

Kohler Co. reserves the right to make revisions without notice to product specifications.

For the most current Specification Sheet, go to [www.sterlingplumbing.com](http://www.sterlingplumbing.com).



**Technical Information**

All product dimensions are nominal.

|                      |                     |
|----------------------|---------------------|
| Installation:        | Three-wall alcove   |
| Drain location:      | Right               |
| Weight:              | 125.4 lbs (56.9 kg) |
| Maximum door height: | 70-1/2" (1791 mm)   |
| Maximum door width:  | 56-5/8" (1438 mm)   |

**Notes**

Install this product according to the installation instructions.

Studs should be positioned roughly as shown.

Double studding is recommended for pivot shower door installations.