



Lawson®
60-1/4" x 32" drop-in bath
71261100



Features

- Durable high-gloss finish.
- Reversible drain can be installed as left- or right-hand drain.
- Two optional aprons available (with and without front access panel)
- Optional flange kit available for easier conversion to alcove installation. Kit provides continuous rim support and added water containment benefits compared to nonflanged alcove installation.

Material

- Made from solid Vikrell® material for strength, durability, and lasting beauty.

Installation

- Drop-in.

Recommended Products/Accessories

- 71268100 Bath apron
- 76268100 Bath apron with removable access panel
- 71287100 Tile-in flange kit for 60" soaking baths
- K-23726 Drain treatment
- K-23733 Vikrell® cleaner



Codes/Standards



- CSA B45.5/IAPMO Z124
- ASTM E162
- ASTM E662
- HUD, UM Bulletin 73

Warranty – Bathing Fixtures (and) Kitchen and Utility Sinks Made of Solid Vikrell® Material

See website for detailed warranty information.

Available Colors/Finishes

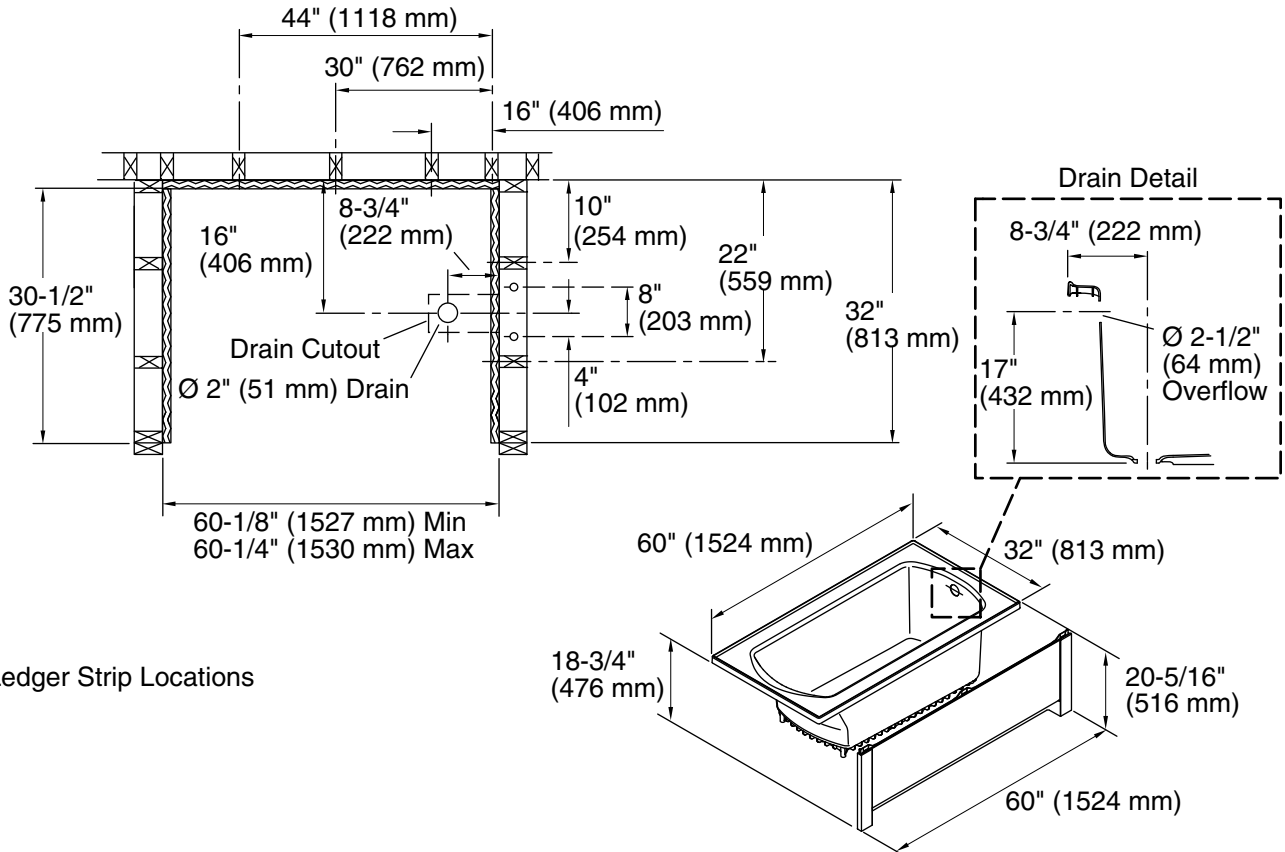
Color tiles intended for reference only.

Color	Code	Description
	0	White
	96	KOHLER Biscuit

1-800-STERLING (1-800-783-7546)

Kohler Co. reserves the right to make revisions without notice to product specifications.

For the most current Specification Sheet, go to www.sterlingplumbing.com.



 Ledge Strip Locations

Technical Information

All product dimensions are nominal.

Installation:	Drop-in
Drain location:	End
Basin area, bottom:	44" x 21-1/2" (1118 mm x 546 mm)
Basin area, top:	51" x 22-3/4" (1295 mm x 578 mm)
Water depth:	15-1/4" (387 mm)
Water capacity:	51 gal (193.1 L)
Minimum flat for door:	3" (76 mm)
Maximum door width:	60" (1524 mm)

Notes

Install this product according to the installation instructions.

Studs should be positioned roughly as shown.