



# Ensemble™

60-1/4" x 36" tile bath/shower  
71100120



## Features

- 16" apron.
- Tongue-and-groove walls with snap-together modular design.
- Tile look.
- Corner shelves; built-in armrests and contoured back.

## Material

- Made from solid Vikrell® material for strength, durability, and lasting beauty.

## Installation

- Alcove.
- Right drain.
- Some caulk required for proper installation.

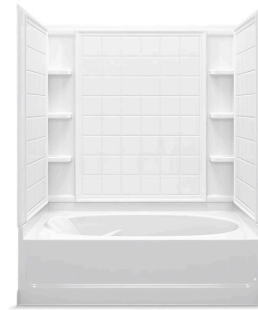
## Recommended Products/Accessories

- K-23726 Drain treatment
- K-23733 Vikrell® cleaner

## Included Components

Product consists of:

- 71104100 60" x 37-1/2" AFD tile bath/shower wall set
- 71101120 60" x 36" bath w/ right-hand drain



## Codes/Standards



- CSA B45.5/IAPMO Z124
- ASTM E162
- ASTM E662
- HUD, UM Bulletin 73

## Warranty – Bathing Fixtures (and) Kitchen and Utility Sinks Made of Solid Vikrell® Material

See website for detailed warranty information.

## Available Colors/Finishes

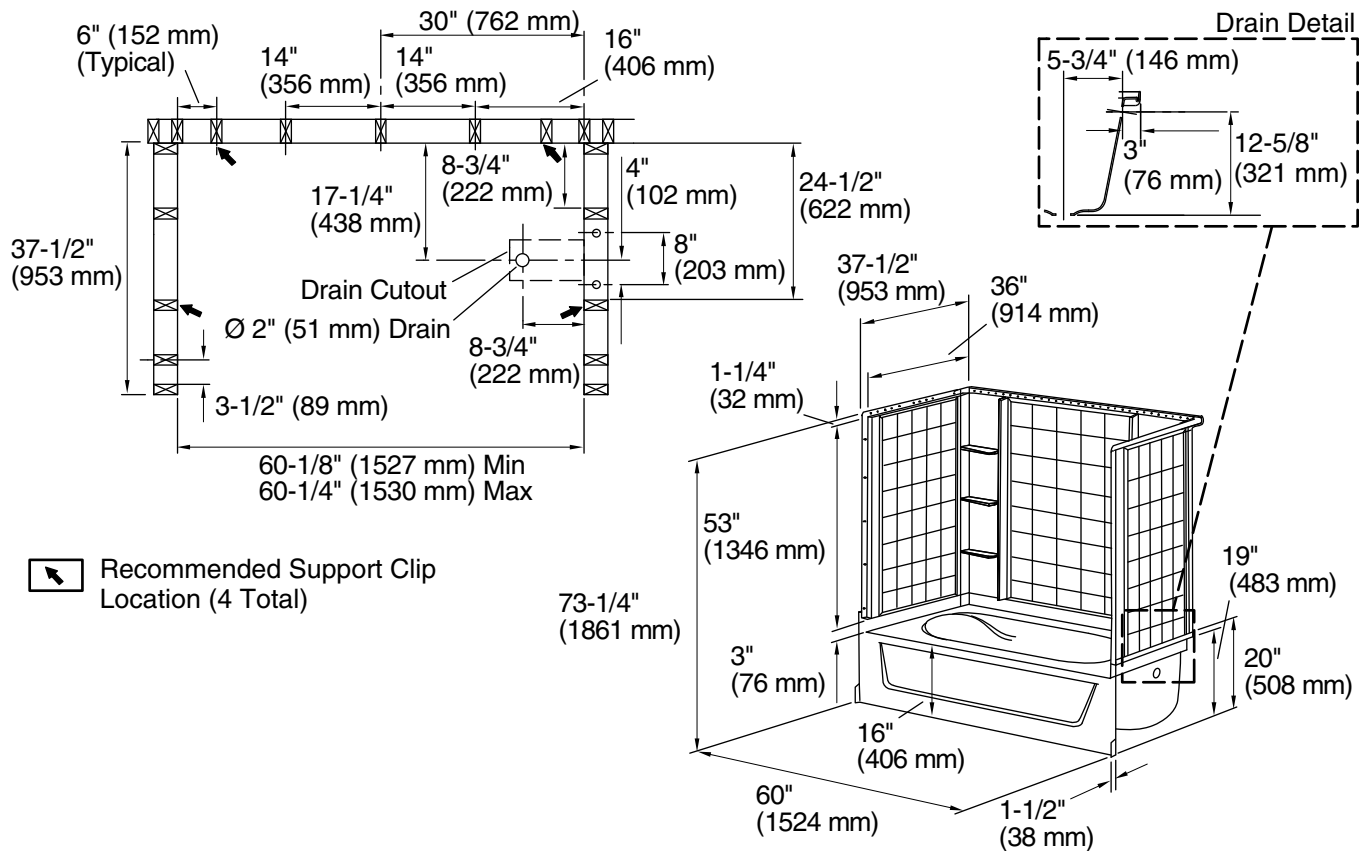
*Color tiles intended for reference only.*

Color	Code	Description
	0	White
	96	KOHLER Biscuit

1-800-STERLING (1-800-783-7546)

Kohler Co. reserves the right to make revisions without notice to product specifications.

For the most current Specification Sheet, go to [www.sterlingplumbing.com](http://www.sterlingplumbing.com).



**Technical Information**

All product dimensions are nominal.

Installation:	Three-wall alcove
Drain location:	Right
Basin area, bottom:	40" x 21" (1016 mm x 533 mm)
Basin area, top:	52" x 29" (1321 mm x 737 mm)
Water depth:	11" (279 mm)
Water capacity:	40 gal (151.4 L)
Maximum door height:	55-3/4" (1416 mm)
Maximum door width:	58-1/2" (1486 mm)

**Notes**

Install this product according to the installation instructions.  
 Studs should be positioned roughly as shown.  
 Double studding is recommended for pivot shower door installations.