



# OC-S-63

63-1/2" x 39-5/8" roll-in shower stall w/ grab bars

62060103



### Features

- 1/2" (12.7 mm) threshold.
- Durable swirl-gloss finish.
- Center drain.
- Three-piece tongue-and-groove walls with snap-together installation.
- Includes three factory-installed stainless steel grab bars.

### Material

- Made from solid Vikrell® material for strength, durability, and lasting beauty.

### Installation

- Alcove.
- Caulk required for proper installation.

### Recommended Products/Accessories

- K-23726 Drain treatment
- K-23723 Faucet cleaner
- K-23733 Vikrell® cleaner

### Included Components

Product consists of:

- 62065103 40-5/8" ADA shower end wall set w/ grab bars
- 62061100 63-1/4" roll-in shower base
- 62062103 63-1/4" x 65-1/4" shower back wall with grab bar



ADA

### Codes/Standards



- CSA B45.5/IAPMO Z124
- ASTM E162
- ASTM E662
- ADA
- HUD, UM Bulletin 73

### Warranty – Bathing Fixtures (and Kitchen and Utility Sinks Made of Solid Vikrell® Material) STERLING® Warranty - Grab Bars

See website for detailed warranty information.

### Available Colors/Finishes

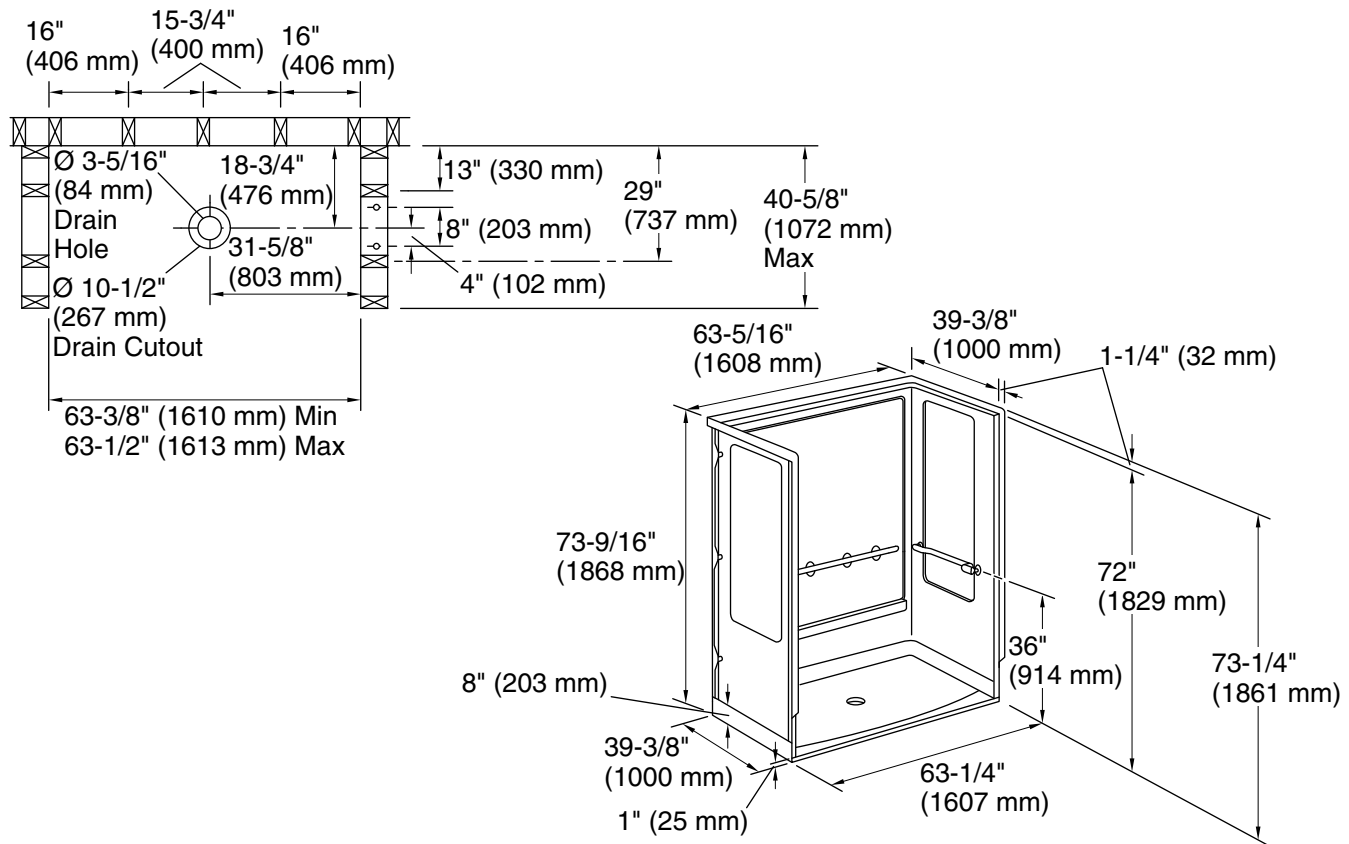
Color tiles intended for reference only.

Color	Code	Description
	0	White
	96	KOHLER Biscuit

1-800-STERLING (1-800-783-7546)

Kohler Co. reserves the right to make revisions without notice to product specifications.

For the most current Specification Sheet, go to [www.sterlingplumbing.com](http://www.sterlingplumbing.com).



**Technical Information**

All product dimensions are nominal.

Installation: Three-wall alcove

Drain location: Center

**Notes**

Install this product according to the installation instructions.

Studs should be positioned as shown.

Backerboards and fasteners protrude beyond the back wall 1-1/2" (38 mm). If installing this product against wall board, 1-1/2" (38 mm) furring strips installed over the wall board are recommended. The stud pocket depth of 40-5/8" (1032 mm) will need to be increased by the combined thickness of the wall board and furring strips.

1/2" minimum finished floor thickness required.

Drain cutout in subfloor to be 10-1/2" (267 mm) per rough-in illustration as shown to allow the backside of the drain to sit below the subfloor surface.

ADA compliant when installed to the specific requirements of these regulations.