



Stinson®

Under-mount Bathroom Sink

442007-U

Features

- Center drain and overflow.
- Modern rectangular shape.
- No faucet holes; requires wall- or counter-mount faucet.

Material

- Crafted of Grade A vitreous china to provide a durable, nonporous product with a glossy finish.

Recommended Products/Accessories

- K-23726 Drain treatment
- K-23725 Cast iron cleaner

Included Components

- Additional Components:
- 1193643 Basin clamps



ADA

Codes/Standards




ASME A112.19.2/CSA B45.1
ADA
ICC/ANSI A117.1

STERLING® Warranty - Toilets and Lavatories

See website for detailed warranty information.

Available Colors/Finishes

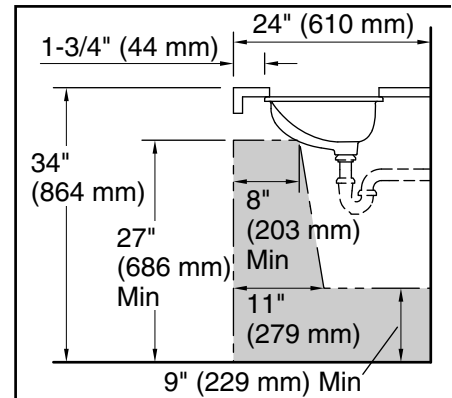
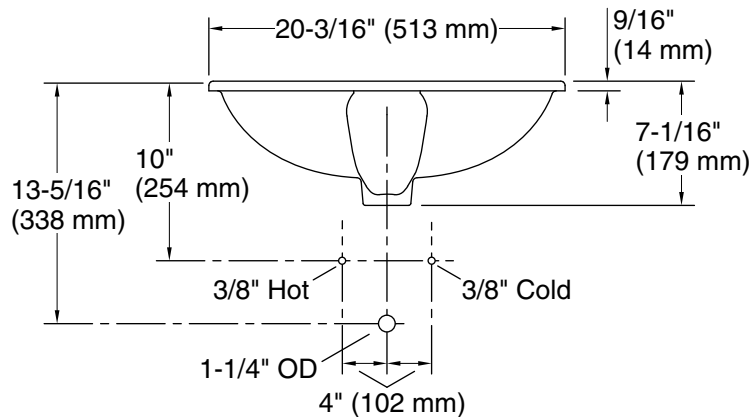
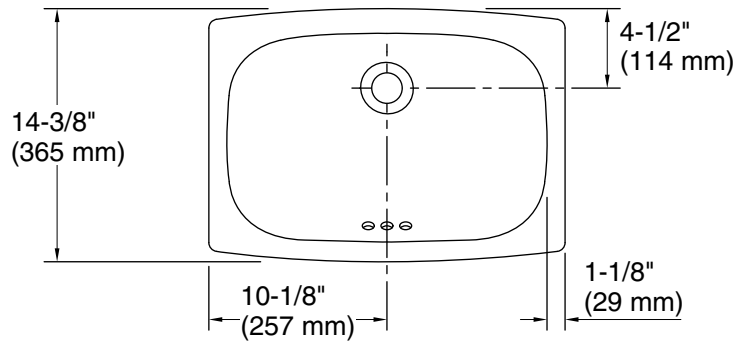
Color tiles intended for reference only.

Color	Code	Description
	0	White
	96	KOHLER Biscuit
	47	Almond

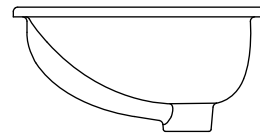
1-800-STERLING (1-800-783-7546)

Kohler Co. reserves the right to make revisions without notice to product specifications.

For the most current Specification Sheet, go to www.sterlingplumbing.com.



Recommended ADA Installation



Technical Information

All product dimensions are nominal.
 Bowl configuration: Single
 Installation: Under-mount
 Bowl area (Only): Length: 18-3/16" (462 mm)
 Width: 12-3/16" (310 mm)
 Water depth: 5" (127 mm)
 Drain hole: 1-11/16" (43 mm)

Notes

Install this product according to the installation instructions.
 Measure your actual product for roughing-in details.
 ADA compliant when installed to the specific requirements of these regulations.