



Modesto™
Drop-in Bathroom Sink
441901

Features

- Single faucet hole.
- Center drain and overflow.

Material

- Grade A vitreous china with a hard, glossy finish.

Installation

- Drop-in.

Recommended Products/Accessories

- K-23726 Drain treatment
- K-23725 Cast iron cleaner



ADA

Codes/Standards



ASME A112.19.2/CSA B45.1
ADA
ICC/ANSI A117.1

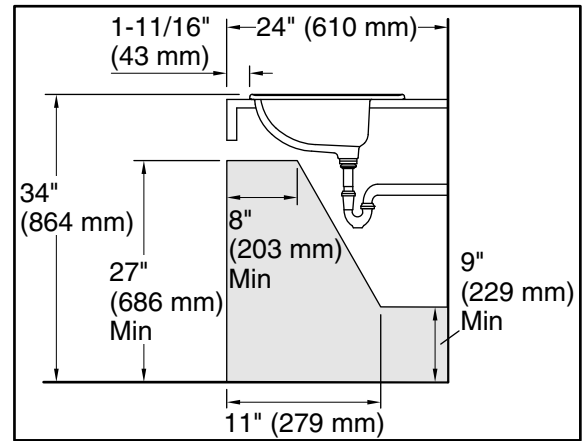
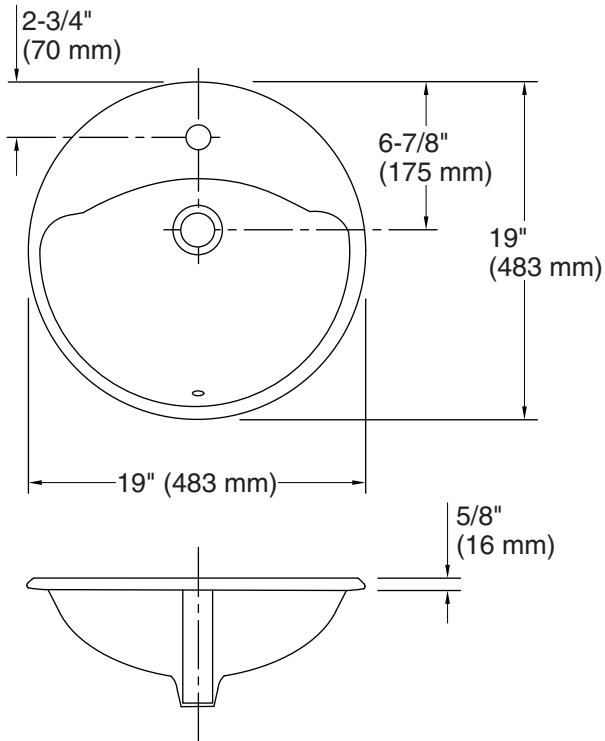
STERLING® Warranty - Toilets and Lavatories

See website for detailed warranty information.

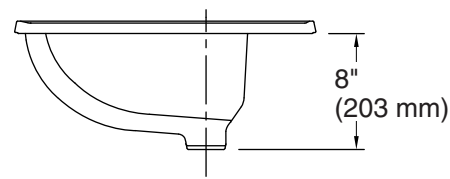
Available Colors/Finishes

Color tiles intended for reference only.

Color	Code	Description
	0	White
	96	KOHLER Biscuit



Recommended ADA Installation



Technical Information

All product dimensions are nominal.

Bowl configuration:	Single
Installation:	Drop-in
Bowl area (Only):	Length: 15-3/4" (400 mm) Width: 12-5/8" (321 mm) Water depth: 4-7/8" (124 mm)
Number of deck holes:	1
Faucet hole(s):	1-3/16" (30 mm)
Drain hole:	1-3/4" (44 mm)
Template:	1003766-7, required, included

Notes

Install this product according to the installation instructions.

Measure your actual product for roughing-in details.

ADA compliant when installed to the specific requirements of these regulations.