



# Valton™

## Two-piece round-front toilet

### 402311

#### Features

- Two-piece design.
- Round-front bowl offers an ideal solution for smaller bathrooms and powder rooms.
- 1.28 gpf (4.8 lpf).
- Color-matched left-hand white trip lever included.
- 2" (51 mm) fully glazed trapway.
- Combination consists of the 403377 bowl and 404501 tank.

#### Technology

- Pro Force® Plus flushing technology delivers greater flushing power than previous Pro Force® models.

#### Installation

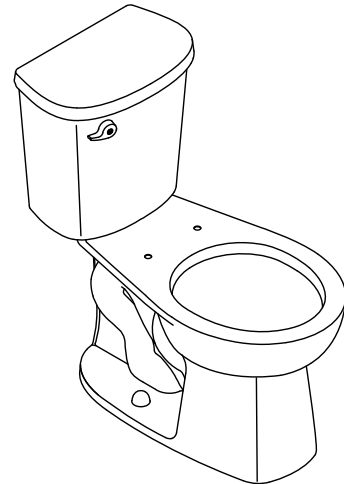
- Standard 12" (305 mm) rough-in.
- Three-bolt quick-connect installation.
- Seat and supply line sold separately.

#### Recommended Products/Accessories

K-20111 Brevia™ Quiet-Close™ Round-Front Toilet Seat  
K-4639 Cachet® Quiet-Close™ Round-Front Toilet Seat  
K-5420 Low-Profile Bolt Caps  
K-23726 Drain treatment

#### Included Components

Product consists of:  
403377 Round-front toilet bowl  
404501 1.28 gpf toilet tank



#### Codes/Standards

ASME A112.19.2/CSA B45.1  
DOE - Energy Policy Act 1992  
EPA WaterSense®  
California Energy Commission (CEC)


#### STERLING® Warranty - Toilets and Lavatories

See website for detailed warranty information.

#### Available Colors/Finishes

*Color tiles intended for reference only.*

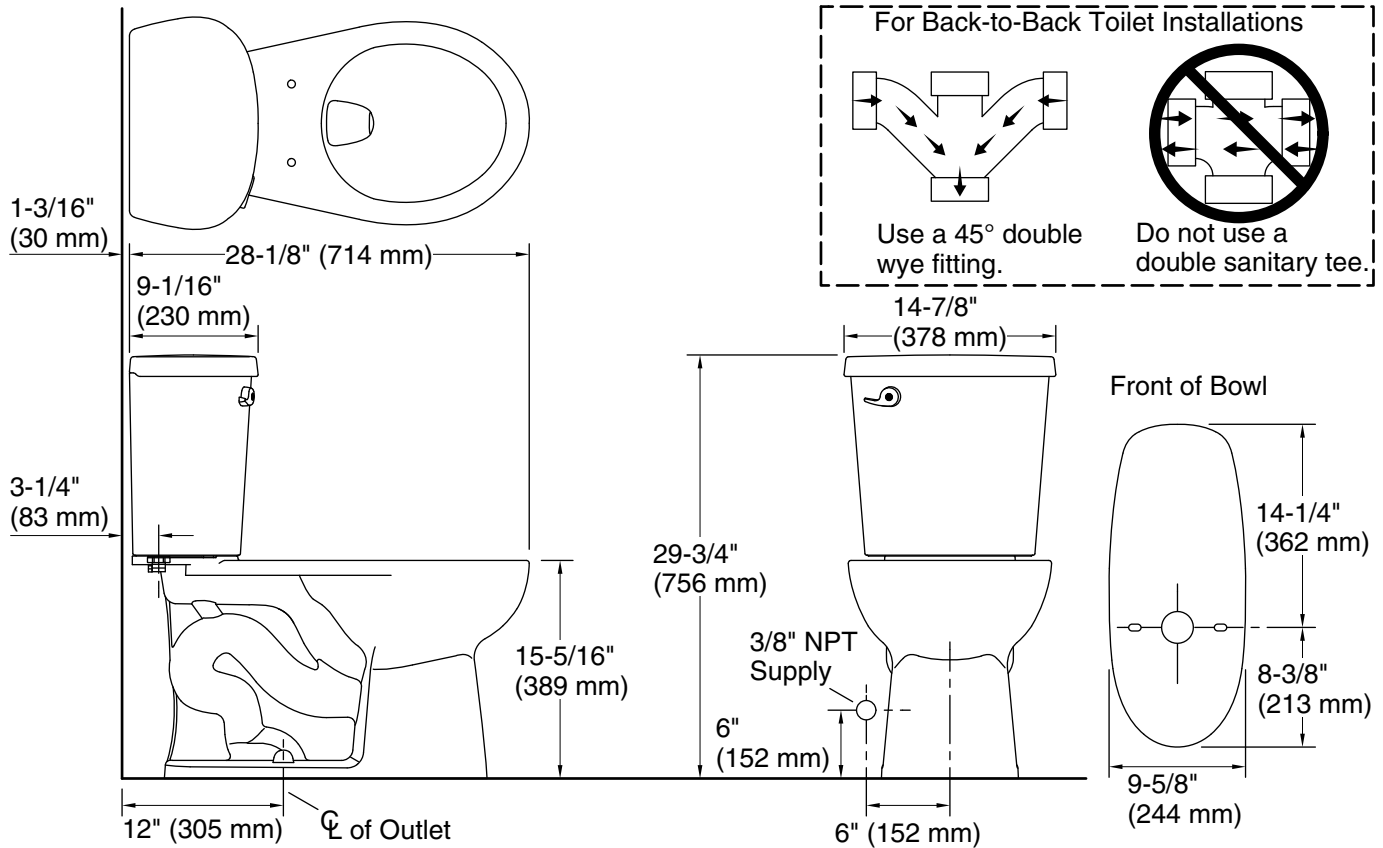
#### Color Code Description

	0	White
---	---	-------

1-800-STERLING (1-800-783-7546)

Kohler Co. reserves the right to make revisions without notice to product specifications.

For the most current Specification Sheet, go to [www.sterlingplumbing.com](http://www.sterlingplumbing.com).



**Technical Information**

All product dimensions are nominal.

- Toilet type: Two-piece, Floor-mount
- Waste Outlet: Floor
- Bowl shape: Round-front
- Flush type: Gravity siphon jet
- Water Consumption
  - Full: 1.28 gpf (4.8 lpf)
- Rough-in: 12" (305 mm)

**Fixture Supply Requirements**

- Min static pressure: 15 psi (103.4 kPa)
- Max static pressure: 80 psi (551.6 kPa)

**Notes**

- Install this product according to the installation instructions.
- For back-to-back toilet installations: Use only a 45° double wye fitting.