

**Features**

- Two-function pull-out sprayhead allows you to switch from aerated stream to powerful ring spray
- ProMotion® technology's light, quiet braided hose and swiveling ball joint make the pull-down sprayhead easier and more comfortable to use
- MasterClean™ sprayface features an easy-to-clean surface that withstands mineral buildup
- Single lever handle makes adjusting water temperature easy.
- Temperature memory allows faucet to be turned on and off at the temperature set during prior usage
- 1.5 gpm (5.7 lpm) maximum flow rate at 60 psi (4.14 bar)
- KOHLER ceramic disc valves exceed industry longevity standards for a lifetime of durable performance

**Material**

- Premium metal construction for durability and reliability
- Durable STERLING finishes built to resist corrosion

**Installation**

- Single-hole or three-hole installation (escutcheon plate included)
- Flexible supply lines and quick-connect fittings simplify installation

**Adapters, Rough-in and Extension Kits**

1327990

Range: 2-1/2" (64 mm) -  
4-5/8" (117 mm)



**ADA** **CSA B651**

**Codes/Standards**

ASME A112.18.1/CSA B125.1

NSF/ANSI/CAN 61

NSF/ANSI/CAN 372

All applicable US Federal and State material regulations

DOE - Energy Policy Act 1992

California Energy Commission (CEC)

ADA

ICC/ANSI A117.1



CSA B651

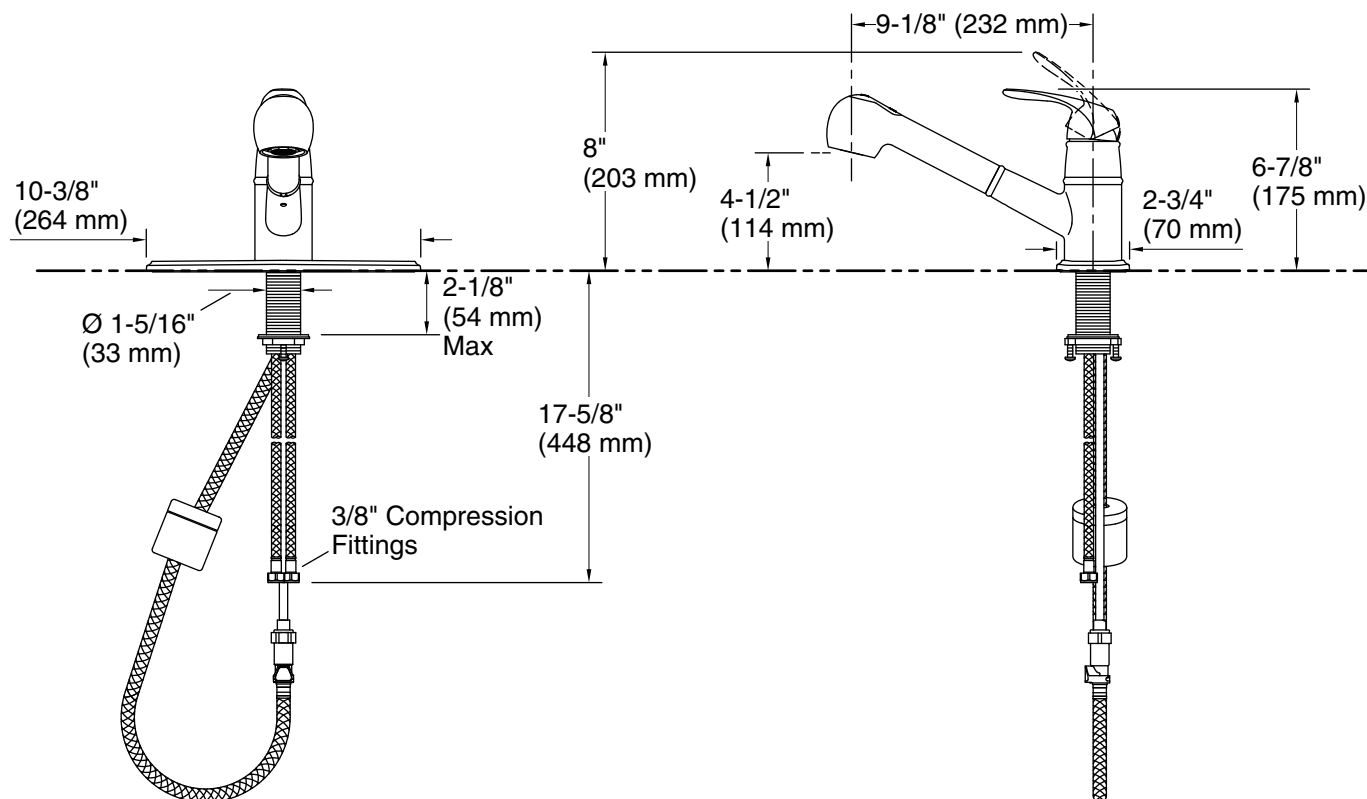
**STERLING® Faucet Lifetime Limited Warranty**

See website for detailed warranty information.

**Available Colors/Finishes**

*Color tiles intended for reference only.*

Color	Code	Description
	CP	Polished Chrome
	VS	Vibrant® Stainless



**Technical Information**

All product dimensions are nominal.

**Spout:**

Spout reach: 9-1/8" (232 mm)

**Notes**

Install this product according to the installation instructions.

ADA complaint for faucet handles only.

ADA, CSA B651 compliant when installed to the specific requirements of these regulations.