



Ludington®

Under-mount single-bowl kitchen sink
20022-PC

Features

- 9-9/16" depth.
- 3-3/4" drain opening.
- No faucet holes; requires wall- or counter-mount faucet.
- Single bowl.
- 36" minimum base cabinet width.

Material

- Premium 18-gauge stainless steel.
- Stainless steel with satin finish.

Installation

- Undermount.

Recommended Products/Accessories

- K-23726 Drain treatment
- K-23729 Stainless steel cleaner

Included Components

Product consists of:

- 7400 Sink Strainer
- 20285 Silicone sink mat

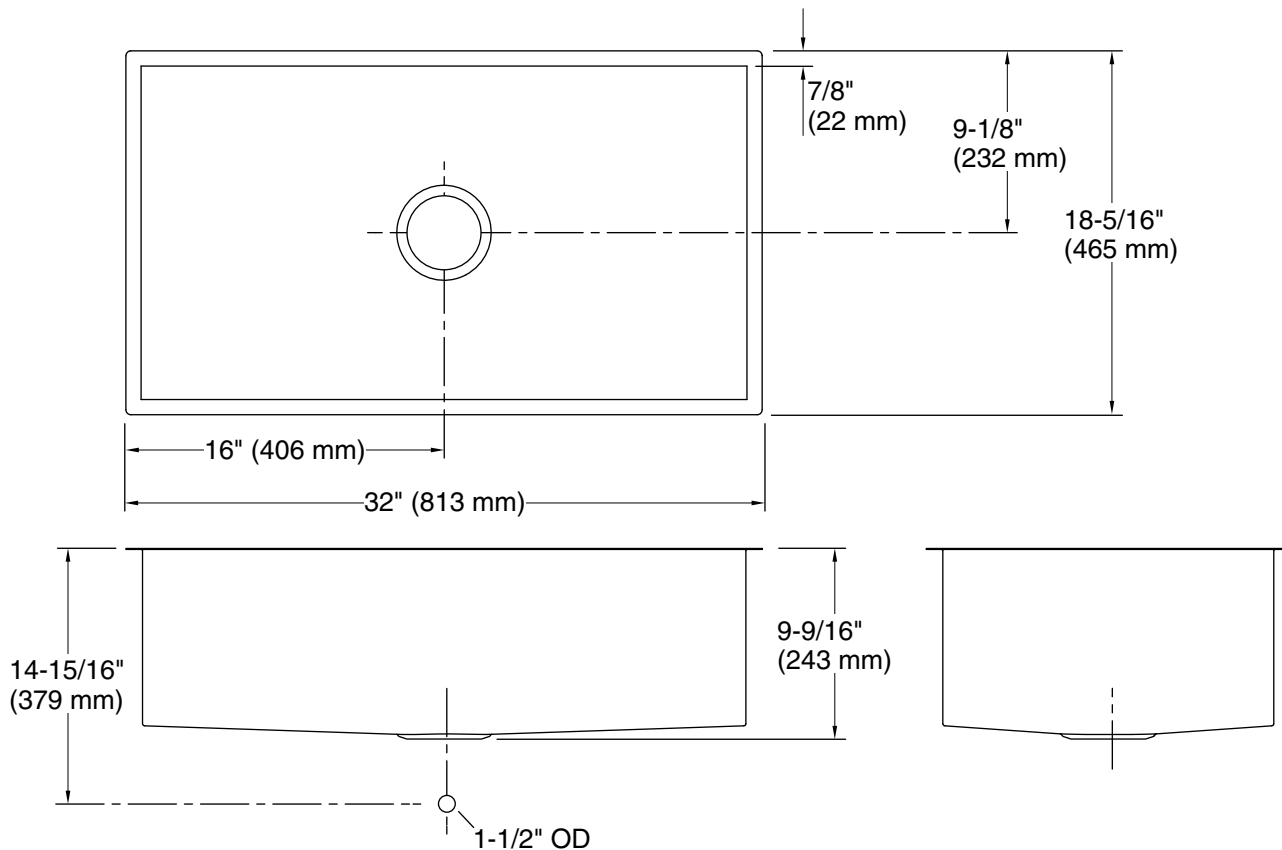


Codes/Standards

ASME A112.19.3/CSA B45.4

STERLING® Warranty - Stainless Steel Sinks

See website for detailed warranty information.



Technical Information

All product dimensions are nominal.

- Installation: Undermount
- Min. base cabinet width: 36" (914 mm)
- Bowl area (Only): Length: 30-1/4" (768 mm)
Width: 16-9/16" (420 mm)
Bowl depth: 9-5/16" (237 mm)
Water depth: 9-5/16" (237 mm)
- Drain hole: 3-3/4" (94 mm)
- Template: 1298947-7, required, included

Notes

Install this product according to the installation instructions.

Countertop manufacturer or cutter must use the cut-out template provided with the product, or a current one provided by Kohler Co. (call 1-800-43-FOCUS). Kohler Co. is not responsible for cut-out errors when the incorrect cut-out template is used.