



McAllister®

Under-Mount Kitchen Sink

11600

Features

- No faucet holes; requires wall- or counter-mount faucet.
- 9-5/16" (237 mm) depth.
- 3-5/8" (92 mm) drain opening.
- Stainless steel with luster finish.

Material

- Premium 18-gauge stainless steel.

Installation

- Undermount.

Recommended Products/Accessories

- 7400 Sink Strainer
- K-23726 Drain treatment
- K-23729 Stainless steel cleaner

Included Components

- Product consists of:
- 91915 Hardware Kit

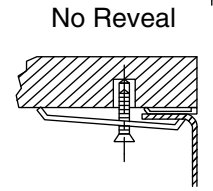
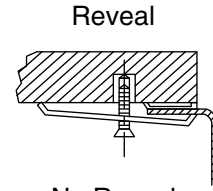
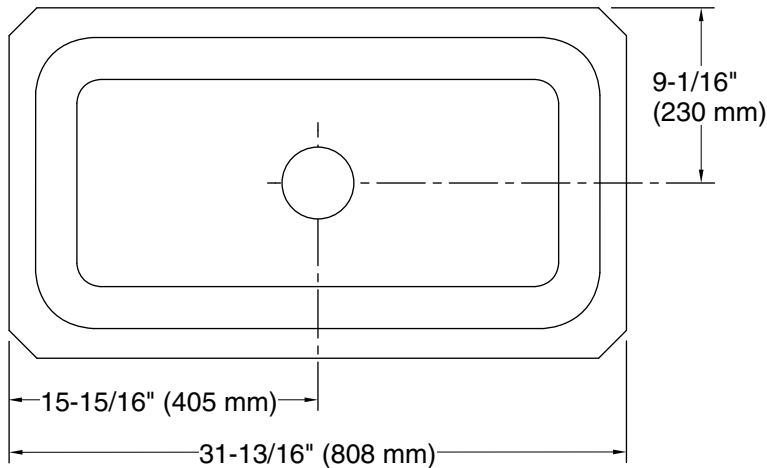


Codes/Standards

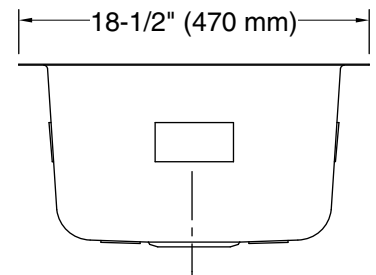
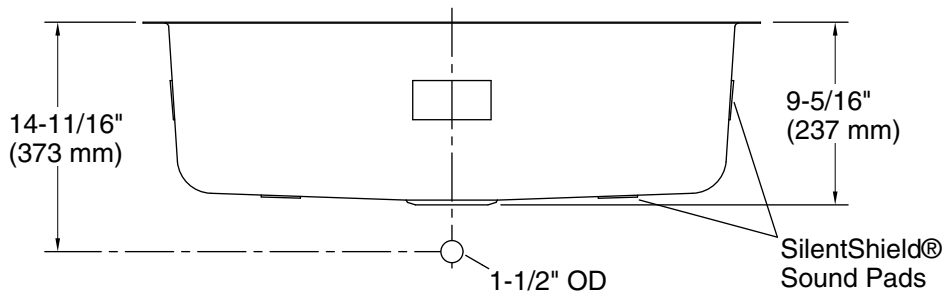
ASME A112.19.3/CSA B45.4

STERLING® Warranty - Stainless Steel Sinks

See website for detailed warranty information.



Mounting bracket assembly provides a secure installation.



Technical Information

All product dimensions are nominal.

- Bowl configuration: Single
- Installation: Under-mount
- Min. base cabinet width: 36" (914 mm)
- Bowl area (Only): Length: 29-1/2" (749 mm)
Width: 15-3/4" (400 mm)
Bowl depth: 9" (229 mm)
Water depth: 9" (229 mm)
- Drain hole: 3-5/8" (92 mm)
- Template: 1315844-7, required, included

Notes

- Install this product according to the installation instructions.
- Measure your actual product for roughing-in details.
- Use the supplied cut-out template to select either a hidden or exposed rim.
- Minimum base cabinet width: 33"-36" (33" cabinet may require cabinet modifications). Consult an installer for confirmation before proceeding.