



Springdale®

Undermount bar sink

11448

Features

- No faucet holes; requires wall- or counter-mount faucet.
- 8" (203 mm) depth.
- 3-3/4" (95 mm) drain opening.
- Stainless steel with luster finish.
- Rectangular bowl.
- No faucet holes; requires wall- or counter-mount faucet.
- Luster finish.
- 11448 = single pack.
- J11448 = 3 per pack.
- T11448 = 20 per pack.
- 16-1/4" (413 mm) x 17-3/4" (451 mm) x 8" (203 mm)
- Strainer sold separately.

Material

- Premium 18-gauge stainless steel.

Installation

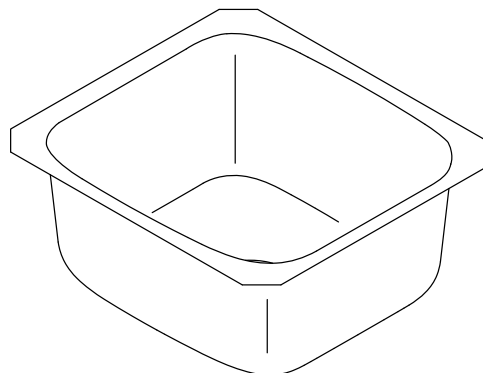
- Undermount.
- Can be installed with or without reveal.

Recommended Products/Accessories

7400 Sink Strainer
11862 Sink Rack
K-23726 Drain treatment
K-23729 Stainless steel cleaner

Included Components

Product consists of:
91915 Hardware Kit

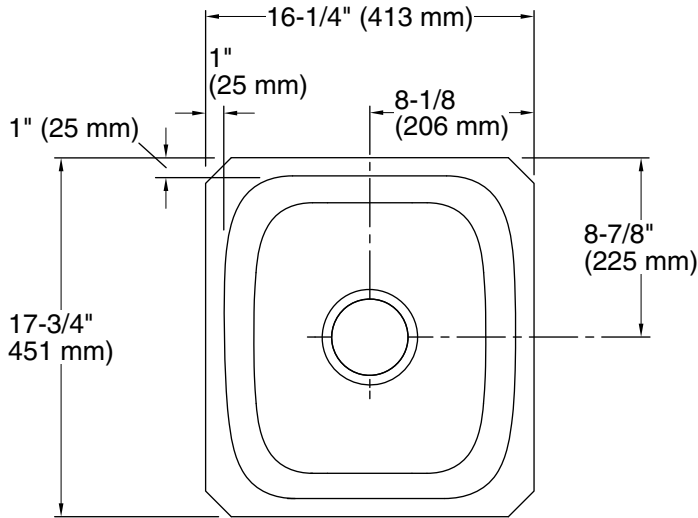


ADA

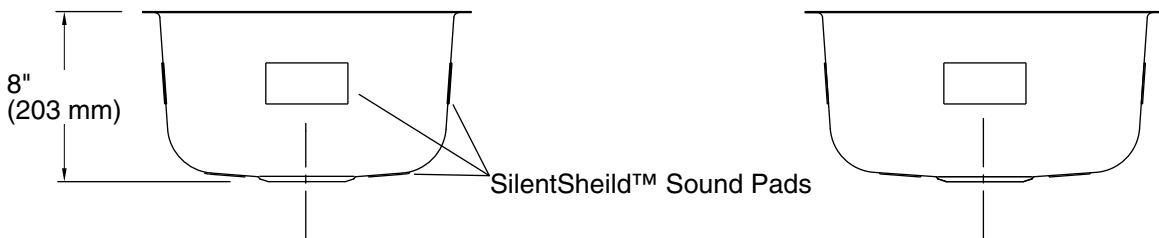
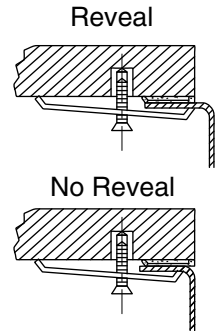
Codes/Standards

ASME A112.19.3/CSA B45.4
ADA
ICC/ANSI A117.1

See website for detailed warranty information.



Mounting bracket assembly provides a secure installation.



Technical Information

All product dimensions are nominal.

- Bowl configuration: Single
- Installation: Under-mount
- Min. base cabinet width: 21" (533 mm)
- Bowl area (Only): Length: 14-1/4" (362 mm)
Width: 15-3/4" (400 mm)
Bowl depth: 8" (203 mm)
Water depth: 8" (203 mm)
- Drain hole: 3-3/4" (95 mm)
- Template: 1315843-7, required, included

Notes

- Install this product according to the installation instructions.
- Measure your actual product for roughing-in details.
- Use the supplied cut-out template to select either a hidden or exposed rim.
- ADA compliant when installed to the specific requirements of these regulations.
- ADA permits a parallel approach to wet bars.