



# Southaven®

Top-mount Kitchen Sink  
11403-3

## Features

- Three faucet holes.
- 6-1/2" (165 mm) depth.
- 3-5/8" (92 mm) drain opening.
- Satin finish.

## Material

- Premium 20-gauge stainless steel.

## Installation

- Top-mount.

## Recommended Products/Accessories

- K-23726 Drain treatment
- K-23729 Stainless steel cleaner

## Optional Products/Accessories

- 7400 Sink Strainer

## Included Components

- Product consists of:
- 1150001 Installation Clips



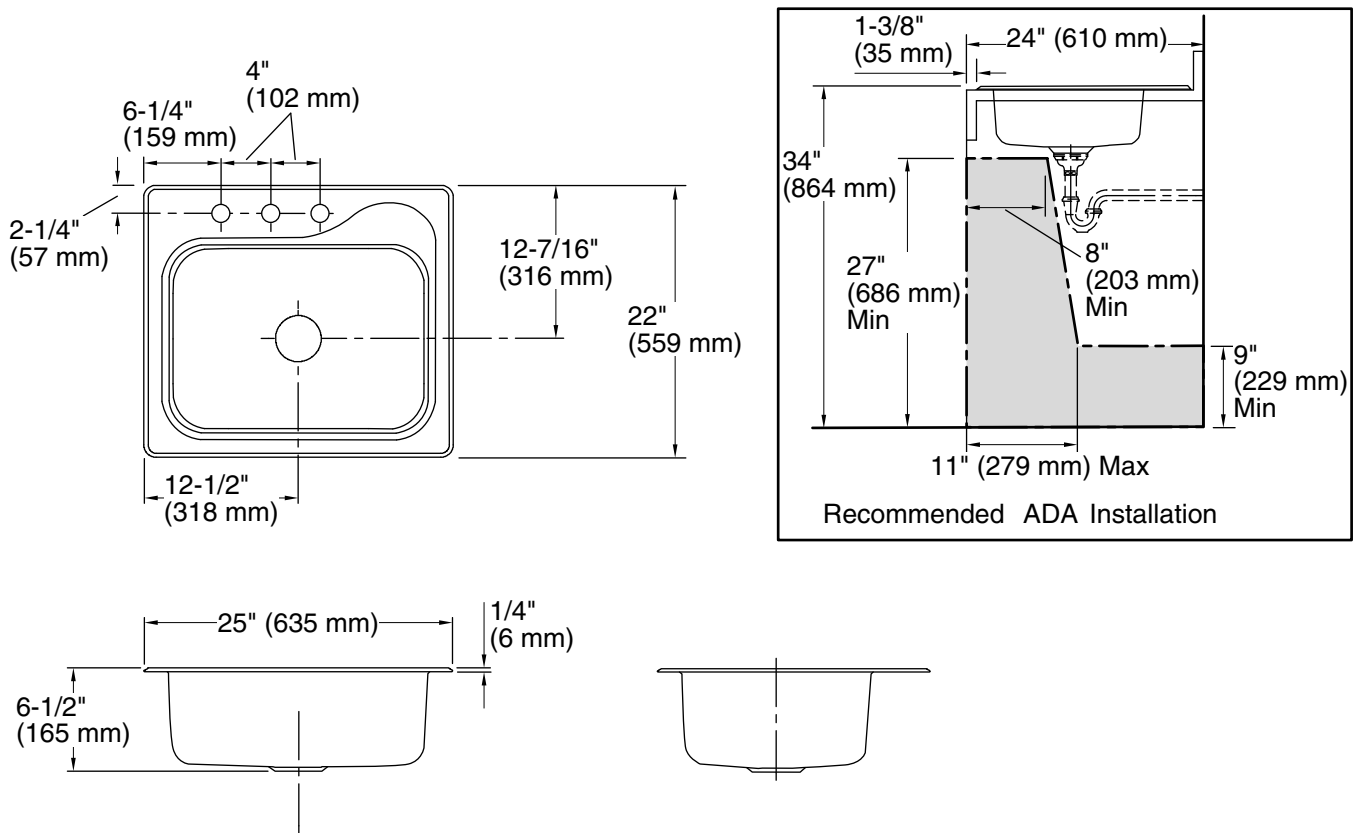
ADA

## Codes/Standards

- ASME A112.19.3/CSA B45.4
- ADA
- ICC/ANSI A117.1

## STERLING® Warranty - Stainless Steel Sinks

See website for detailed warranty information.



**Technical Information**

All product dimensions are nominal.

- Bowl configuration: Single
- Installation: Top-mount
- Cutout: Top-mount, 24-1/2" x 21-1/2" (622 mm x 546 mm) with 3/4" (19 mm) radius corners
- Min. base cabinet width: 27" (686 mm)
- Bowl area (Only): Length: 21" (533 mm)  
Width: 15-1/4" (387 mm)  
Bowl depth: 6-1/2" (165 mm)  
Water depth: 6-1/2" (165 mm)
- Number of deck holes: 3
- Faucet hole(s): 1-7/16" (37 mm)
- Drain hole: 3-5/8" (92 mm)
- Template: 1032928-7, not required, not included

**Notes**

- Install this product according to the installation instructions.
- Measure your actual product for roughing-in details.
- ADA compliant when installed to the specific requirements of these regulations.