



Southaven®

Top-mount Kitchen Sink

11400-4

Features

- Four faucet holes.
- 6-1/2" (165 mm) depth.
- 3-5/8" (92 mm) drain opening.
- Satin finish.

Material

- Premium 20-gauge stainless steel.

Installation

- Top-mount.

Recommended Products/Accessories

7400 Sink Strainer
11861 Sink Rack
K-6139 Sponge Caddy
K-23726 Drain treatment
K-23729 Stainless steel cleaner

Included Components

Product consists of:
1150001 Installation Clips



ADA

Codes/Standards

ASME A112.19.3/CSA B45.4
ADA
ICC/ANSI A117.1

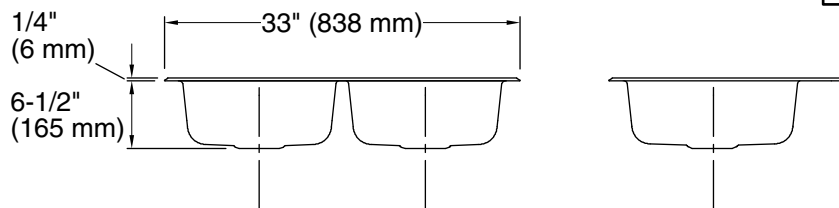
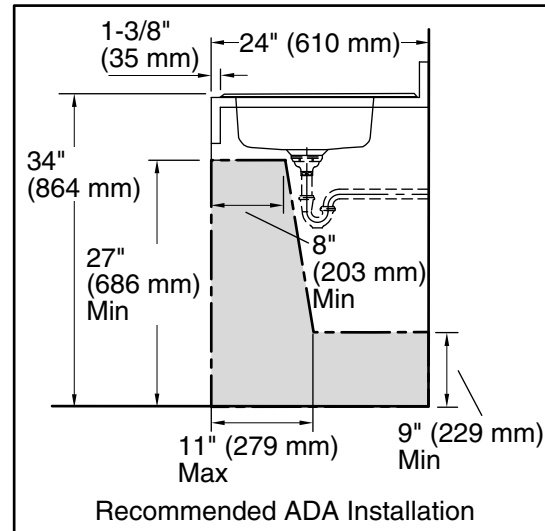
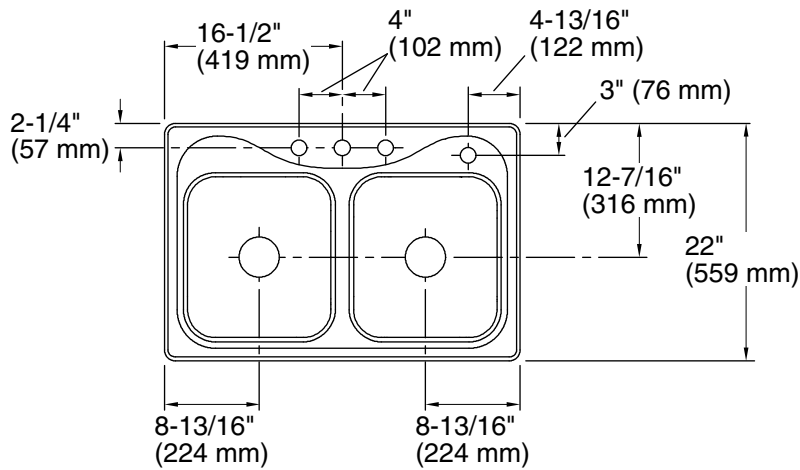
STERLING® Warranty - Stainless Steel Sinks

See website for detailed warranty information.

1-800-STERLING (1-800-783-7546)

Kohler Co. reserves the right to make revisions without notice to product specifications.

For the most current Specification Sheet, go to www.sterlingplumbing.com.



Technical Information

All product dimensions are nominal.

Bowl configuration: Double equal

Installation: Top-mount

Cutout: Top-mount, 32-1/2" x 21-1/2" (826 mm x 546 mm) with 1/2" (13 mm) radius corners

Min. base cabinet width: 36" (914 mm)

Bowl area (Left): Length: 14" (356 mm)
Width: 15-1/8" (384 mm)
Bowl depth: 6-1/2" (165 mm)
Water depth: 6-1/2" (165 mm)

Bowl area (Right): Length: 14" (356 mm)
Width: 15-1/8" (384 mm)
Bowl depth: 6-1/2" (165 mm)
Water depth: 6-1/2" (165 mm)

Number of deck holes: 4

Faucet hole spacing: 4" (102 mm)

Faucet hole(s): 1-7/16" (37 mm)

Drain hole: 3-5/8" (92 mm)

Template: 1032929-7 not required, not included

1-800-STERLING (1-800-783-7546)

Kohler Co. reserves the right to make revisions without notice to product specifications.

For the most current Specification Sheet, go to www.sterlingplumbing.com.

Notes

Install this product according to the installation instructions.

Measure your actual product for roughing-in details.

ADA compliant when installed to the specific requirements of these regulations.