

# 2015 REPLACEMENT PARTS CATALOG

Residential, Commercial and Tankless Water Heater  
Repair Parts and Installation Accessories

[www.WaterHeaterParts.com](http://www.WaterHeaterParts.com)  
THE #1 SOURCE FOR ONLINE PARTS LOOKUP



PRICES EFFECTIVE APRIL 15 • 2015

# NOTEWORTHY CHANGES & ORDERING INFORMATION

**THERE HAVE BEEN CHANGES MADE FROM PRIOR REPLACEMENTS PARTS BOOKS YOU MAY HAVE RECEIVED IN THE PAST.**

1. All list prices are now located in an addendum to the catalog. You should have received a copy of this upon receipt of the catalog. If not, you may download a copy at [www.hotwater.com/resources/product-literature](http://www.hotwater.com/resources/product-literature). Reps may order additional copies by **contacting hotwater@datasuppliesinc.com** with your rep number, literature number (**SSMPB00309**), quantity needed and complete shipping address.
2. Our ERP system is scheduled to change in late 2015; in order to make this a smooth transition, we have provided you with both the current part number, and the new part number that will be used when the new system is implemented. You will be notified when the transition is complete and the new part numbers go into effect.

**★ TWO PART NUMBERS FOR EVERY PART THROUGHOUT THE ENTIRE CATALOG ★**

Part Number	NEW Part Number (Use after transition)
<b>1. Part Number:</b> Current part number to order until ERP change goes into effect.	
<b>2. NEW Part Number:</b> Part number that will be required in <b>late 2015</b> as transition is made.	

**EXAMPLE:**

Part Number	NEW Part Number	Description
9007876005	100112330	Pilot/Thermopile w/Tubing, Natural
9007877005	100093983	Pilot/Thermopile w/Tubing, JC, Propane
9007884005	100112336	Gas Control Valve, Natural

<b>Accurate Information</b>	In order to ensure accurate replacement parts information, if your part is heater specific, please have heater serial number. The serial number can be found on the rating plate located at or near the bottom of your heater. When sending in purchase orders please make sure to have complete part number, description, and price. Failure to do so, will result in your order being delayed to allow for correction.
<b>How to Place an Order</b>	<b>Various methods of placing a replacement parts order:</b> <ul style="list-style-type: none"> <li>• Email: <a href="mailto:orders@hotwater.com">orders@hotwater.com</a></li> <li>• Fax: 800-644-9306</li> <li>• Customer Service: 800-821-2017</li> </ul>
<b>On-Line Assistance Available</b>	<b>Benefits of using <a href="http://www.WaterHeaterParts.com">www.WaterHeaterParts.com</a>, and what's available there:</b> <ul style="list-style-type: none"> <li>• Complete replacement parts listing</li> <li>• Access to spec sheets and owners manuals</li> <li>• Complete 'Contact Us' information</li> <li>• Locate local Service Providers/Distributors in your area</li> <li>• Request an RMA (Return Material Authorization) for new and unused parts</li> </ul>
<b>Processing Time</b>	Allow 2 business days for all non-expedited shipments. Orders received after 3PM CST will be considered next days business. Accelerated shipping available to most areas.
<b>Departure Schedule</b>	Shipments are made from each location Monday - Friday with departure times below: <b>Franklin, TN:</b> 4 P.M. CST • <b>McBee, SC:</b> 5 P.M. EST • <b>Irvine, CA:</b> 4 P.M. PST (Monday - Friday) Additional shipping dates are added as volume dictates.
<b>Shipping Locations &amp; Carriers</b>	Majority of replacement parts are distributed from Franklin, TN. Some parts for commercial heaters may ship from McBee, SC. Some tankless parts may ship from Irvine, CA. Primary carrier for replacement parts is UPS. Some shipping locations can ship via FedEx upon request. LTL shipments are used when needed or required.

# POLICY INFORMATION

<b>Acceptance of Order</b>	<p><b>ALL PRICES &amp; TERMS ARE SUBJECT TO CHANGE WITHOUT NOTICE.</b> Orders with incorrect information will require submission of a corrected purchase order, which could delay your shipment.</p>
<b>Freight Allowance</b>	<p>All order values meeting a \$2,000 minimum list total will qualify for Free Freight Allowance (FFA). FFA is available only for ground shipments and must be within the continental United States. In addition, any value for the hazardous material <b>UN•LIME® NON MURATIC DELIMER</b> will not contribute to the FFA total for allowance.</p>
<b>Cancellation Policy</b>	<p>Cancellation of orders is available before shipment has been packed and placed on the shipping dock. Any cancellation after that point will be subject to a 20% restocking fee. If the order ships you will be required to request an RMA for its return.</p>
<b>Return of Parts</b>	<p>All returns unavoidable by State are subject to a 20% restocking fee and return freight charge will be the responsibility of the customer. A Return Merchandise Authorization (RMA) must be obtained to return any merchandise. RMA's may be requested at <a href="http://www.WaterHeaterParts.com/returns">www.WaterHeaterParts.com/returns</a>. State is not responsible for any unidentified returns. These parts will not be returned nor will credit be issued. Parts must be returned in "new and unused" condition. Upon inspection, parts found to be damaged, missing components, or otherwise unsaleable will be discarded and credit denied.</p>
<b>Order Discrepancy</b>	<p><b>ANY ORDER DISCREPANCY CLAIM MUST BE MADE WITHIN 30 DAYS OF ORDER INVOICE.</b></p>
<b>Limited Warranty</b>	<p>All replacement parts have a 1 year limited warranty from the date of purchase. Freight charges are not included with warranty.</p>
<b>Hazardous Materials</b>	<p><b>UN•LIME® NON MURATIC DELIMER</b> and <b>Mag-Erad® DELIMER</b> will require additional packaging and must use only non-expedited shipping methods. <b>UN•LIME® NON MURATIC DELIMER</b> will not contribute to the total for free freight allowance.</p>

# TABLE OF CONTENTS

## RESIDENTIAL PAGE

Contact/Ordering Information.....	Inside Front Cover
High Watt Density Screw-In Elements (Standard Life) & Universal Flange Elements.....	2
Corrogard Zinc Plated Copper Elements (Longer Life).....	3
Low Watt Density Screw-In Elements (Longest Life) & 1-3/8" Flange .....	4
Specialty Elements (Gold Plated - "S" Shaped) .....	5
Temperature Controls (Electric Thermostats) & Miscellaneous Electric Parts .....	6
Temperature Controls - Gas Valves (Residential) .....	7
Temperature Controls - Gas Valves (Commercial and Light Commercial) .....	8
Temperature Controls - Gas Valves (FVIR Related) .....	9
Igniters, HSI Replacement Parts & Manual/Automatic Temperature Controls.....	10
Thermocouples, Power Vent Repair Parts & Miscellaneous Gas Parts .....	11
Pilot Assembly & Pilot Burners .....	12
Warranty Extension Kits (All Brands) & HSI Repair Parts (100 Series) .....	13
Commercial Flanged Elements .....	14
Dip Tubes & T&P Extender, Run Off Tubes .....	15
T&P Valves (Commercial & Residential), Drain Valves (Nylon & Brass) .....	16
Drain Pans, Delimer & Installation Accessories .....	17
Anodes - 3/4" Screw-In, Flexible & Smelly Water (KA-90) .....	18
Secondary Anodes, Flexible Anodes & Powered Anodes .....	19
Commercial Thermostats & Gas Valves, Blower/Exhaust Assemblies .....	20
Contactors, Transformers & High Limit Controls .....	21
Master Pack (Pro Service) Tub - Tankless (Residential) .....	22
Master Pack (Pro Service) Tub - Tankless (Commercial) .....	23
Master Pack (Pro Service) Tub - Electric & Gas (Residential) .....	24
Master Pack (Pro Service) Tub - Gas-Power Vent/Next Gen (Series 200) -(Residential).....	25
Master Pack (Pro Service) Tub - Gas-High Efficiency (Commercial) .....	26
Master Pack (Pro Service) Tub - Gas-High Efficiency Series 100 & Heavy Duty (Commercial) .....	27
Master Pack (Pro Service) Tub - Tankless Condensing .....	28

## HEATER PARTS LISTS

\* Please see Ordering Information on the front cover for instructions using [www.WaterHeaterParts.com/Lookup](http://www.WaterHeaterParts.com/Lookup)

## RESIDENTIAL

GAS - Series 300 (30 Gallon - 6 & 10 Year Warranty) .....	29
GAS - Series 300 (40 Gallon - 6 Year Warranty) .....	30
GAS - Series 300 (40 Gallon - 10 Year Warranty) .....	31
GAS - Series 300 (50 Gallon - 6 & 10 Year Warranty) .....	32
GAS - Series 400 (30 Gallon - 6 & 10 Year Warranty) .....	33
GAS - Series 400 (40 Gallon - 6 & 10 Year Warranty) .....	34
GAS - Series 400 (50 Gallon - 6 & 10 Year Warranty) .....	35
Heat Pump (Standard Replacement Parts) .....	36
Hybrid (Standard Replacement Parts) .....	37

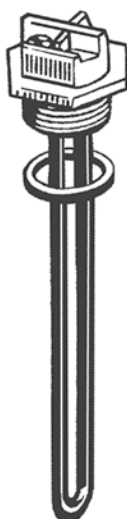
## COMMERCIAL

GAS - Commercial 60-120 BTH / SUF / HCG .....	38
GAS - Commercial 100-150 BTH / SUF / HCG .....	39
GAS - Commercial 100-199 BTH / SUF / HCG .....	40
GAS - Commercial 100-250 BTH / SUF / HCG .....	41
GAS - Commercial Cyclone Mxi BTH 300/400/500 Series 200/201 .....	42
GAS - Commercial Ultra Low Nox Series 200 .....	43
GAS - Commercial Ultra Low Nox Series 200 (Burner Systems) .....	44

# High Watt Density Screw-In Elements & Universal Flange

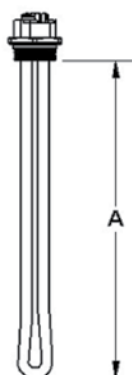
## FEATURES & BENEFITS OF HIGH-WATT DENSITY ELEMENTS

- Zinc-plated for corrosion protection
- Includes Gasket
- Screw-in Element, industry standard 1" NPSM thread



## GOOD High Watt Density Elements – Zinc Plated Copper

Part Number	NEW Part Number	Volts	Watts	"A" Dim. Inches
9004740115	100110052	120	1500	8
9004741115	100110053	120	2000	10
9004742115	100110054	120	2500	10
9004746115	100110056	208	6000	12
9004745115	100110055	240	1500	8
9003946115	100109626	240	2000	8
9003954115	100109638	240	2500	10
9003955115	100109640	240	3000	10
9003948115	100109629	240	3500	12
9000136015	100108319	240	3800	12
9003956115	100109641	240	4000	12
9000092015	100108283	240	4500	11
9003957005	100109642	240	5000	10
9003951115	100109633	240	5500	12
9001225115	100108510	480	4500	12
9004748115	100110057	480	6000	12



## Universal Flange

Part Number	NEW Part Number	Volts	Watts	"A" Dim. Inches
9000970015	100108479	240	4500	14
9000971015	100108480	240	5500	14
9000965015	100108478	120	1500	8
9000097015	100108293	240	4500	14
9002072005	100108711	120	1650	8
9000177015	100108333	120	1500	6
9000178015	100108336	120	2000	8
9000180015	100108337	240	1500	8
9000182015	100108338	240	2500	6
9000183015	100108340	240	3000	12
9000094015	100108286	240	4500	11.5

# Corrogard Zinc-Plated Copper Screw-In Elements

## FEATURES & BENEFITS OF CORROGARD ZINC-PLATED COPPER ELEMENTS

- Improved durability
- Lowest practical watt density for size
- For Residential and light commercial use
- Zinc-plated for corrosion protection
- Includes Gasket
- Screw-In Element



## BETTER Corrogard Zinc-Plated Copper Elements

Part Number	NEW Part Number	Volts	Watts	"A" Dim. Inches
9004777105	100110079	120	1500	11
9003947115	100109628	120	2000	11.5
9002859115	100108954	120	2500	11.5
9002862115	100108960	120	3000	11.75
9004705115	100110029	208	1500	13.5
9002858115	100108953	208	2000	13.5
9002961115	100109060	208	2500	13.5
9004706105	100110030	208	3000	13.5
9004489105	100109885	208	4000	13.5
9002645115	100108884	208	4500	13.5
9001224115	100108509	208	5000	16
9003953005	100109636	208	6000	16
9000143115	100108322	240	1000	8
9002864005	100108962	240	1500	11
9000145115	100108324	240	2000	13.5
9002860115	100108956	240	2500	12.5
9003959115	100109647	240	3000	11.75
9004712105	100110036	240	3500	13.5
9000148015	100108327	240	3800	12
9002868115	100108968	240	4000	13.5
9000095015	100108290	240	4500	14
9000150115	100108329	240	5000	16
9002867115	100108967	240	5500	16
9003952115	100109635	240	6000	16
9004708115	100110032	277	1500	11.5
9004709115	100110033	277	2000	13.5
9002890005	100108992	277	2500	13.5
9003958115	100109645	277	3000	11.75
9003960115	100109649	277	4500	13.5
9002874115	100108976	277	6000	15.5
9002861005	100108957	480	2500	11.5
9003961005	100109650	480	3000	13.75
9002869005	100108969	480	4000	13.5
9004710115	100110034	480	4500	16
9004711115	100110035	480	5000	16
9002875005	100108977	480	6000	13.5

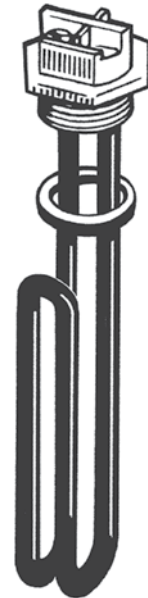
# Low-Watt Density Screw-In Elements

## BEST Low-Watt Density Elements- Incoloy Nickel Base

Part Number	NEW Part Number	Volts	Watts	"A" Dim. Inches
9004279115	100109745	120	1500	9
9004284115	100109751	208	2000	9
9004753115	100110061	208	5000	16.5
9004289115	100109756	208	6000	16.5
9004290115	100109758	240	1500	9
9004283115	100109750	240	2000	11.5
9004291115	100109759	240	2500	11
9000664015	100108440	240	3000	13.5
9004292115	100109761	240	3500	13.75
9000225015	100108346	240	3800	14
9004751115	100110060	240	4000	16
9003210115	100109139	240	4500	13.75
9004294115	100109765	240	5500	13.5
9004293115	100109763	240	5000	16
9004749115	100110058	240	6000	16.5
9004296115	100109768	277	3000	16.5
9004297115	100109770	277	4500	16.5
9004298115	100109772	480	2000	16
9004300005	100109774	480	3000	16.5
9004763105	100110069	480	4000	16.5
9004760115	100110066	480	4500	16.5
9004761105	100110067	480	5000	16.5
9004762105	100110068	480	6000	16.5

## FEATURES & BENEFITS OF LOW-WATT DENSITY ELEMENTS

- Nickel-alloy stainless steel sheath
- Long lasting, lowest practical watt density
- Includes Gasket
- Screw-In Element, industry standard 1" NPSM thread



## BETTER 1-3/8" Screw-In Flange

Part Number	NEW Part Number	Volts	KW	"A" Dim. Inches
9002451015	100108813	240	3000	14
9002434015	100108796	240	3800	14
9002449015	100108810	240	3800	14
9002441015	100108801	240	3000	14
9002448015	100108809	240	5500	14
9002442015	100108803	240	4500	14





# Specialty Elements

(Super Premium "S" Elements: Goldenrod® 24-Karat Gold-plated Elements)

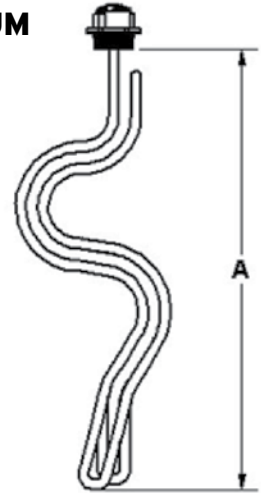
## SUPER PREMIUM Low-Watt Density Elements: "S" Shaped

Part Number	NEW Part Number	Volts	KW	"A" Dim. Inches
9000405015	100108406	240	4500	13
9000396015	100108400	240	5500	13.5
9002433015*	100108793*	240	4500	13.75
9002450015*	100108812*	240	5500	13.75
9004286005	100109753	208	4000	13.75

\* 1-3/8" flange

## SUPER PREMIUM

"S" shaped curve to fit more Surface area to a 14" Tank.



## GOLDENROD® ELEMENTS Features & Benefits of Gold-Plated Elements

- Goldenrod® 24-Karat Gold-Plated Elements resist corrosion, resulting in long-term efficiency and damage protection
- Low-watt density
- Screw-In Flange, with Gasket

## Goldenrod® 24-Karat Gold-Plated Elements

Part Number	NEW Part Number	Volts	KW	"A" Dim. Inches
9006868005	100111554	240	3000	12
9006869005	100111555	240	4000	15.13
9006870005	100111556	240	4500	13.13
9006871005	100111557	240	5000	13.13
9006872005	100111558	240	5500	13.13
9006873005	100111559	240	6000	13.13
9006874005	100111560	240	2000	8.13
9006875005	100111561	240	2000	8.13

## Goldenrod® 24-Karat Gold-Plated Elements

Part Number	NEW Part Number	Volts	KW	"A" Dim. Inches
9006876005	100111562	208	5000	15.13
9006877005	100111563	208	6000	13.13
9006878005	100111564	277	6000	15.13
9006879005	100111565	480	2000	8.13
9006880005	100111566	480	3000	12
9006881005	100111567	480	4000	15.13
9006882005	100111568	480	4500	13.13
9006884005	100111570	480	6000	15.13

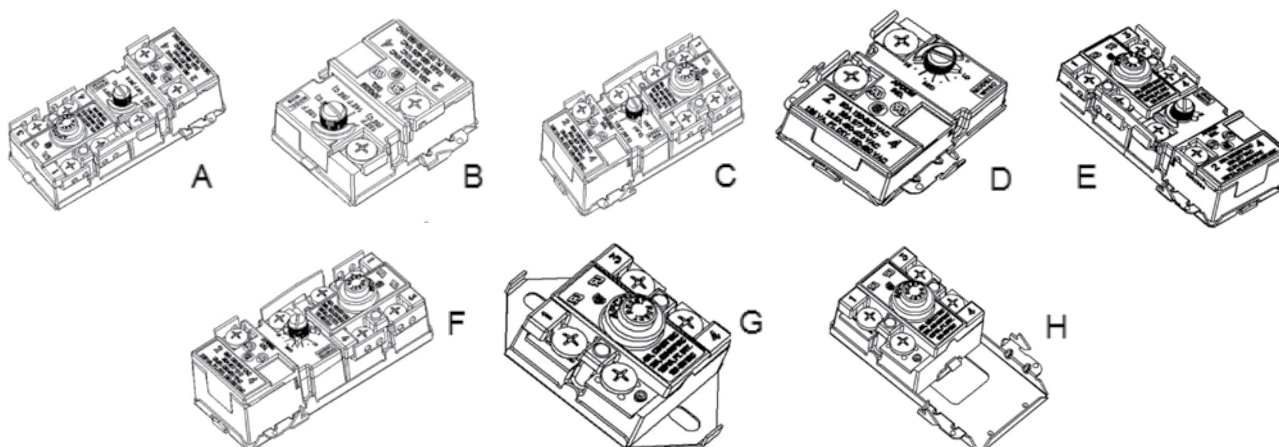


# Electric Thermostats & Miscellaneous Electric Parts

## Electric Thermostats

Image	Part Number	NEW Part Number	Description
A	9001954015	100108683	Upper Thermostat - Residential
B	9000507015	100108421	Lower Thermostat - Residential
C	9000509015	100108424	Single Element Heater Thermostat - Residential
NI*	9002856015	100108951	Upper Thermostat - Commercial
D	9000650015	100108437	Lower Thermostat - Commercial
NI*	9002857015	100108952	Single Element Heater Thermostat - Commercial
E	9002394015	100108774	Point-of-Use Heater Thermostat (2 & 4 Gallon)
F	9001726015	100108641	3-Phase Heater Thermostat - Commercial
G	9007480015	100112046	Heater High Limit - Stud Mount
H	9008170015	100112570	Heat Pump High Limit

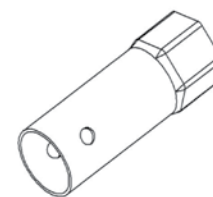
\*NI: Not Illustrated



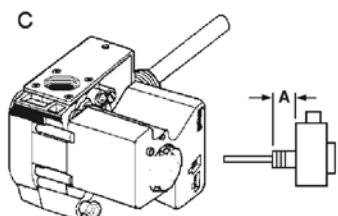
- Patented design positions bimetal sensor for temperature sensitivity
- Wiring terminals ensure positive connection
- High limit feature provides improved safety
- For commercial and residential applications
- UL and CSA approved

## Miscellaneous Replacement Parts (Electric)

Part Number	NEW Part Number	Description
9000030015	100108262	Element Adapter Kit
9000443015	100108414	Element Gasket Assortment
9000429015	100108412	Heavy Duty Element Wrench (Socket length 5")
9004704115	100110028	Square Flange (2-1/2" bolt circle 1-49/64" centers)
9005897015	100110712	Plug for 1-1/4" Screw-In Element opening

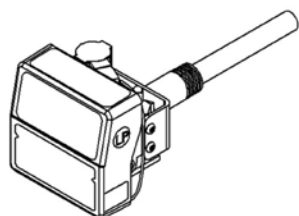


## Gas Temperature Controls (Gas Valves)



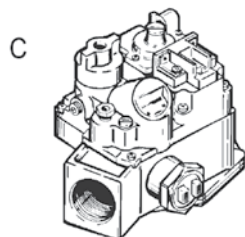
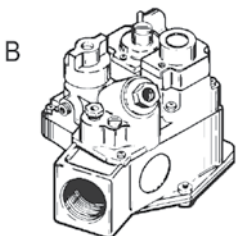
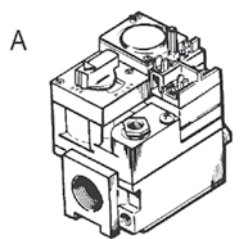
Gas Temperature Controls					
Image	Part Number	NEW Part Number	Description	Manufacturer	Gas Type
C	9004442105	100109854	3-1/2" manifold pressure setting. Max. temp. range 160°F. (A=2.5")	Honeywell®	Natural
C	9004443105	100109855	10" manifold pressure setting. Max. temp. range 160°F. (A=2.5")	Honeywell®	Propane
C	9004444105	100109856	3-1/2" manifold pressure setting. Max. temp. range 180°F. (A=2.06")	Honeywell®	Natural
C	9004445105	100109857	10" manifold pressure setting. Max. temp. range 180°F. (A=2.06")	Honeywell®	Propane
NI*	9004240005	100109724	3-1/2" manifold pressure setting. Max. temp. range 160°F. (A=1.72")	White Rodgers®	Natural
NI*	9004310005	100109781	10" manifold pressure setting. Max. temp. range 160°F. (A=1.72")	White Rodgers®	Propane
NI*	9004267005	100109740	3-1/2" manifold pressure setting. Max. temp. range 160°F. (A=2.82")	White Rodgers®	Natural
NI*	9004464005	100109867	10" manifold pressure setting. Max. temp. range 160°F. (A=2.82")	White Rodgers®	Propane
NI*	9004465005	100109868	3-1/2" manifold pressure setting. Max. temp. range 160°F. (A=2.38")	White Rodgers®	Natural
NI*	9003691005	100109424	4" manifold pressure setting. Max. temp. range 160°F. (A=1.72")	White Rodgers®	Natural
NI*	9003629005	100109358	4" manifold pressure setting. Max. temp. range 160°F. (A=2.38")	White Rodgers®	Natural

\*NI: Not Illustrated



Part Number	NEW Part Number	Description	Manufacturer	Gas Type
9005108005	100110273	1.45" Shank	White Rodgers®	Natural
9005109005	100110274	1.45" Shank	White Rodgers®	Propane
9005112005	100110277	1.25" Shank	White Rodgers®	Propane
9005113005	100110278	2.25" Shank	White Rodgers®	Natural
9005114005	100110279	2.25" Shank	White Rodgers®	Propane
9004312005	100109783	1.25" Shank	White Rodgers®	Natural
9005962005	100110774	1.25" Shank	White Rodgers®	Natural
9005963005	100110775	1.25" Shank	White Rodgers®	Propane
9005964005	100110776	2.25" Shank	White Rodgers®	Natural
9005965005	100110777	2.25" Shank	White Rodgers®	Propane
9005110005	100110275	1.45" Shank	White Rodgers®	Natural
9005111005	100110276	1.45" Shank	White Rodgers®	Propane

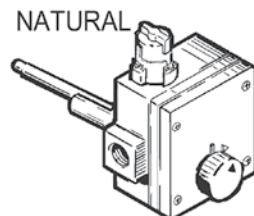
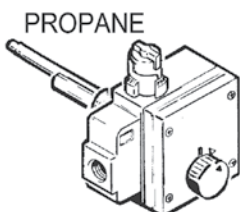
## Gas Temperature Controls (Light Commercial/Commercial)



### Gas Controls: Commercial

Image	Part Number	NEW Part Number	Description	Gas Type
A	9004806105	100110089	3/4", step opening Gas Valve, 750 millivolt 3.5" adjustable main Pressure regulator setting	Natural
B	9004527205	100109913	3/4", slow opening Gas Valve, 24 Volt 3.5" adjustable main Pressure regulator setting	Natural
B	9004528205	100109915	3/4", slow opening Gas Valve, 24 Volt 11" adjustable main Pressure regulator setting	Propane
C	9005017205	100110218	1", slow opening Gas Valve, 24 Volt 3.5" adjustable main pressure regulator setting	Natural
C	9005018205	100110219	1", slow opening Gas Valve, 24 Volt 11" adjustable main Pressure regulator setting	Propane
NI*	9005891105	100110706	96,000 Btuh maximum capacity, 4" main Pressure regulator, 3" to 4" Pilot, energy cut off at 195°F water temperature, range; warm (120°F) to Hot (180°F).	Natural

\*NI: Not Illustrated



### Gas Temperature Controls (Gas Valves: Light Commercial)

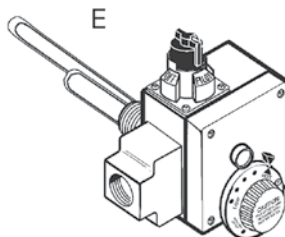
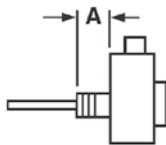
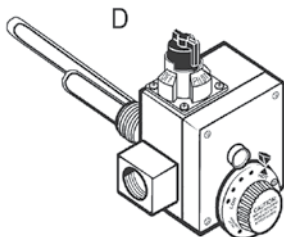
Part Number	NEW Part Number	Description	Gas Type
9000246005	100108348	Through 55,000 BTU's	Natural
9000247005	100108350	Short Shank - Right Hand Threads	Propane
9000248005	100108352	Over 55,000 BTU's	Natural
9000249005	100108354	Long Shank - 2 5/8" Shank	Natural
9002454005	100108815	Long Shank - Over 55,000 BTU's	Natural
9000250005	100108356	Long Shank - 2 5/8" Shank - Right Hand Threads	Propane

## Gas Temperature Controls (FVIR Related)

### Gas Temperature Controls: FVIR

Image	Part Number	NEW Part Number	Description	Manufacturer	Gas Type
D	9004703105	100110026	3-1/2" manifold pressure setting, Pilot pressure fixed w/ECO cut off at 195°F. Temperature range to 160°F. (A=1.25")	White Rodgers®	Natural
D	9004353105	100109812	3-1/2" manifold pressure setting, Pilot pressure fixed w/ECO cut off at 195°F; Temperature range to 160°F. (A=2.5")	White Rodgers®	Natural
D	9004028205	100109674	4" manifold pressure setting, Pilot pressure fixed w/ECO cut off at 195°F; Temperature range 160°F. (A=1.25")	White Rodgers®	Natural
D	9003739005	100109446	4" manifold pressure setting, Pilot pressure fixed w/ECO cut off at 195°F; Temperature range to 160°F. (A=2.5")	White Rodgers®	Natural
NI*	9003407005	100109217	4" manifold pressure setting, Pilot pressure fixed w/ECO cut off at 195°F; Temperature range 160°F. (A=1.25")	White Rodgers®	Natural
NI*	9003638005	100109365	4" manifold pressure setting, Pilot pressure fixed w/ECO cut off at 195°F; Temperature range 160°F. (A=2.5")	White Rodgers®	Natural
E	9004713105	100110038	10" manifold pressure setting, Pilot pressure fixed w/ECO cut off at 195°F; Temperature range 160°F. RIGHT HAND THREAD Burner Tube Connection (A=1.25")	White Rodgers®	Propane
E	9003408005	100109219	10" manifold pressure setting, Pilot pressure fixed w/ECO cut off at 195°F; Temperature range 160°F. LEFT HAND THREAD Burner Tube Connection (A=1.25")	White Rodgers®	Propane
NI*	9003639005	100109367	10" manifold pressure setting, Pilot pressure fixed w/ECO cut off at 195°F; Temperature range to 160°F. LEFT HAND THREAD Burner Tube Connection (A=2.5")	White Rodgers®	Propane
NI*	9003656005	100109372	10" manifold pressure setting, Pilot pressure fixed w/ECO cut off at 195°F; Temperature range 160°F. LEFT HAND THREAD Burner Tube Connection (A=2.5")	White Rodgers®	Propane
NI*	9009076005	100233299	10" manifold pressure setting, Pilot pressure fixed w/ECO cut off at 195°F; Temperature range to 160°F. LEFT HAND THREAD Burner Tube Connection (A=2.5")	White Rodgers®	Propane

\*NI: Not Illustrated



#### FEATURES & BENEFITS

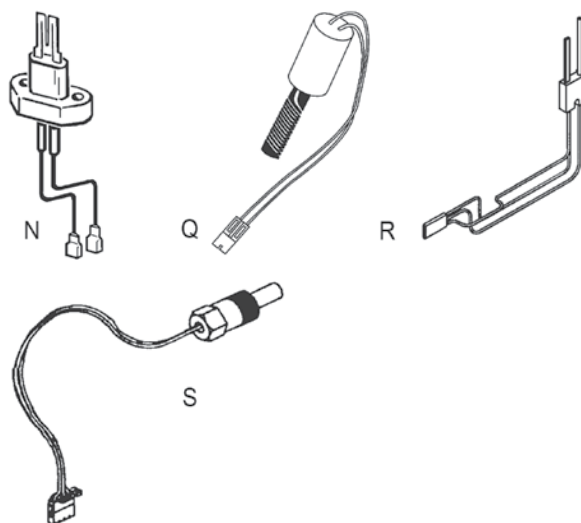
- Safe lighting features permits lighting without danger of main gas flow
- 100% gas shutoff if needed

# Igniters, HSI & Manual and Automatic Temp Controls

## Hot Surface Igniters

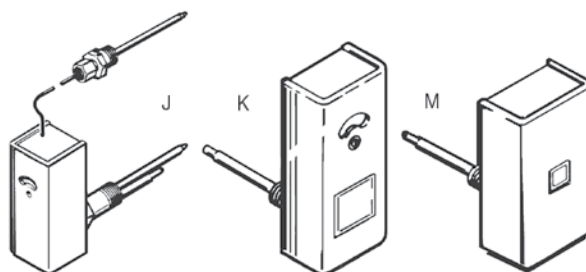
Image	Part Number	NEW Part Number	Description
N	9006101205	100110899	Igniter
Q	9005902215	100110718	Igniter
NI*	9004566115	100109941	Igniter
R	9004572205	100109948	Silicon Nitride Igniter
S	9004238215	100109721	Upper Probe Assembly
S	9004241215	100109726	Lower Probe Assembly

\*NI: Not Illustrated



## Hot Surface Ignition

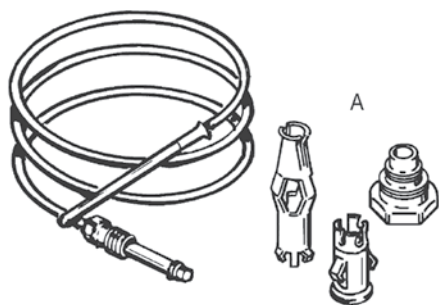
Part Number	NEW Part Number	Description
9002518015	100108831	Hot Surface Ignition
9003626005	100109355	HSI Assembly Natural 75
9005256015	100110355	Replacement Igniter
9004448105	100109859	Hot Surface Ignition
9004455105	100109863	Hot Surface Ignition
9006931005	100111610	Igniter/Pilot Assembly
9007098005	100111711	Igniter/Pilot Assembly
9007107005	100111719	Igniter



## Manual and Automatic Temperature Controls

Image	Part Number	NEW Part Number	Description	Tank Opening Size	Adjustable Temp. Range -F° (Differential)	Fixed Temp. High Limit	
						Open	Close
J	9004968105	100110181	Automatic reset limit. Includes 5091 lower well and 5090 top well	3/4"	100-180 (Diff. 4)	195	120
J	9004531205	100109918	Manual reset limit, direct immersion	3/4"	120-180 (Diff. 4)	195	120
J	9004975105	100110186	Automatic reset limit, direct immersion	3/4"	120-180 (Diff. 4)	195	120
J	9004529005	100109916	Manual reset, dual control	3/4"	120-180 (Diff. 4)	205	125
K	9005044205	100110233	Automatic	3/4"	100-240 (Diff. 5-45) 1	N/A	N/A
M	9004506205	100109896	Dual control	3/4"			
M	9005925205	100110740	Temperature control	3/4"	100-240 (Diff 5)	N/A	N/A

# Thermocouples, Power Vent Repair & Miscellaneous Gas Parts



## Replacement Thermocouples

Image	Part Number	NEW Part Number	Description
A	9000876015	100108462	Up to 18" Thermocouple Kit
A	9000056015	100108267	19-24" Thermocouple Kit
A	9000497015	100108420	25-36" Thermocouple Kit

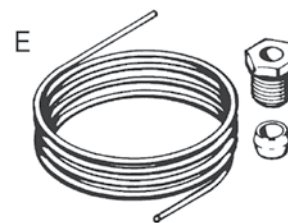
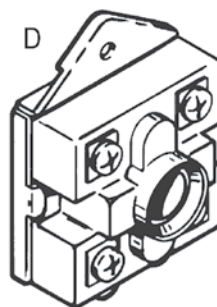
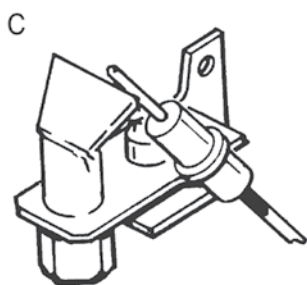
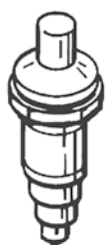
## Gas Control Power Vent Repair Parts

Part Number	NEW Part Number	Description
9002751005	100108926	Gas Valve - Natural 1.75 Shank - 40 & 50 Gal.
9002752005	100108927	Gas Valve - Propane 1.75 Shank - 40 & 50 Gal.
9002514005	100108828	Gas Valve - Natural - 75 Gal.
9002515005	100108829	Gas Valve - Propane - 75 Gal.

## Miscellaneous Gas Replacement Parts

Image	Part Number	NEW Part Number	Description
B	9004966115	100110180	Piezo Igniter, Spark Igniter for models FGCG/PGCG
C	9003410015	100109221	Piezo Igniter w/Bracket
D	9003406005	100109216	Air Intake Screen
NI*	9003401005	100109214	Inner Door Gasket
NI*	9006478005	100111227	Vacuum Nozzle, used for arrestor cleaning
NI*	9006477005	100111226	Wrap Around Filter
E	9004473115	100109875	Pilot Tube Kit 24" of 1/4" aluminum tubing with a compression fitting. (Use when Tubing has been damaged or is too short after control replacement).

\*NI: Not Illustrated



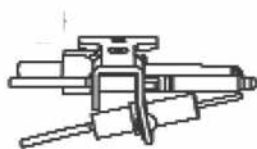
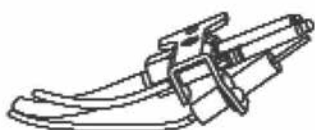
## Pilot Assembly & Pilot Burners

### Pilot Assembly: Flammable Vapor

Part Number	NEW Part Number	Description	Gas Type
9003510005	100109276	FV Pilot Assembly, 140°	Natural
9004021005	100109671	FV Pilot Assembly, 140°	Propane
9004324005	100109793	FV Pilot Assembly, 150°	Natural
9003540005	100109293	FV Pilot Assembly, 160°	Natural
9003541005	100109294	FV Pilot Assembly, 160°	Propane
9003488005	100109261	FV Pilot Assembly, 170°	Natural
9003472005	100109253	FV Pilot Assembly, 170°	Propane
9003531005	100109290	FV Pilot Assembly, 180°	Natural
9003455005	100109243	FV Pilot Assembly, 180°	Propane
9003542005	100109295	FV Pilot Assembly, 190°	Natural
9003543005	100109297	FV Pilot Assembly, 190°	Propane
9003521005	100109286	FV Pilot Assembly, 200°	Natural
9003544005	100109298	FV Pilot Assembly, 200°	Propane

### Pilot Burners: Commercial

Part Number	NEW Part Number	Description	Gas Type
9004542215	100109928	Pilot Burner for BTC-120 thru 500A series 970 and up.	Propane
9004541215	100109926	Pilot Burner for BTC-120 thru 500A series 970 and up.	Propane
9004988115	100110196	Pilot Burner for use on I.I.D. model heaters	Propane
9004989115	100110197	Pilot Burner for use on I.I.D. model heaters	Propane
9005043115	100110232	750 Millivolt Thermopile, 32" long	---
9004771115	100110073	30 Millivolt Thermocouple, 36" long with junction block	---
9004534215	100109921	Pilot Burner for use on BTC models series 962	Natural
9004532215	100109919	Pilot Burner for use on BTC models series 963	Propane
9003319005	100109155	Pilot Assembly, PB-5P with 24" Leads	Propane
9003320005	100109156	Pilot Assembly, PB-5P with 24" Leads	Natural
9003925115	100109617	Aluminum Tubing, 60" length. Use when tubing has been damaged or is too short after control replacement. (includes 2 Fittings)	---





## Warranty Extension Kits & HSI Control Valves 100 Series

### Warranty Extension Kits: 2 Year

Part Number	NEW Part Number	Brand	Description
9004328105	100109797	A. O. Smith	PROMAX 8
9004328005	100109796	State	SELECT 8

### Warranty Extension Kits: 4 Year

Part Number	NEW Part Number	Brand	Description
9006480105	100111230	A. O. Smith	PROMAX 10 II
9007691105	100112207	A. O. Smith	STAGE III
9008132105	100112534	A. O. Smith	SOLAR TANK
9006480005	100111229	State	SELECT 10 II
9007691005	100112206	State	STAGE III
9008132005	100112533	State	SOLAR TANK
9007691205	100112208	American	
9008132205	100112535	American	SOLAR TANK

### Warranty Extension Kits: 3 Year

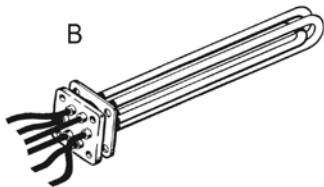
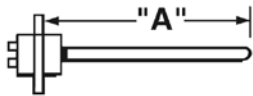
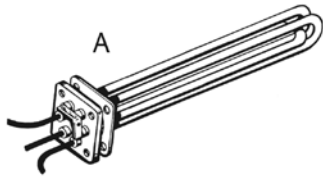
Part Number	NEW Part Number	Brand	Description
9008133005	100112537		SOLAR PUMP STATION

### 100 Series Gas Design (HSI Repair Parts)

Part Number	NEW Part Number	Description
9006655005	100111369	Gas Control Valve/Thermostat (with lead wires - Natural)
9006656005	100111371	Gas Control Valve/Thermostat (with lead wires - Natural)
9006657005	100111372	Gas Control Valve/Thermostat (with lead wires - Propane)
9006658005	100111373	Gas Control Valve/Thermostat (with lead wires - Propane)
9006666015	100111380	Pilot Assembly (Natural)
9006668015	100111382	Pilot Assembly (Propane)
9006667015	100111381	Pilot Assembly (Propane)
9006617005	100111333	Final Burner/Door Assembly (Natural)
9006619005	100111335	Final Burner/Door Assembly (Natural)
9006621005	100111337	Final Burner/Door Assembly (Natural)
9006618005	100111334	Final Burner/Door Assembly (Propane)
9006620005	100111336	Final Burner/Door Assembly (Natural)
9006622005	100111338	Final Burner/Door Assembly (Propane)

# Commercial Flanged Elements

- Use on DSE, CMC, SU & DVE/DHE models over 125 gallons
- Incoloy nickel-alloy sheathing with strong, forged steel flanges
- Medium watt density
- For commercial use, includes Gasket
- For 2 1/2" bolt-circle, round and square 3 flanges



## Commercial Elements

Image	Part Number	NEW Part Number	Volts	Watts	"A" Dim. Inches
B	9004832105	100110099	208	5	9.5
B	9004836105	100110103	208	6	12
B	9004837105	100110104	208	7.5	14.5
B	9004839105	100110105	208	10	15.5
B	9004841105	100110107	208	12	15.5
B	9004842105	100110108	208	15	15.5
B	9004833105	100110100	208	15	22
B	9004834105	100110101	208	18	15.5
B	9004835105	100110102	208	3	9.5
B	9004846105	100110112	240	3	9.5
B	9004848105	100110115	240	6	12
B	9004849105	100110116	240	7.5	14.5
B	9004850105	100110117	240	9	15.5
B	9004851105	100110119	240	10	15.5
B	9004852105	100110120	240	12	15.5
B	9004843105	100110109	240	15	15.5
B	9004844105	100110110	240	15	22
B	9004845105	100110111	240	18	15.5
A	9004853105	100110121	480/277	2	9.5
A	9004858105	100110126	480/277	3	9.5
A	9004859105	100110127	480/277	5	9.5
A	9004860105	100110128	480/277	6	12
A	9004861105	100110129	480/277	8	14.5
A	9004865105	100110131	480/277	9	15.5
A	9004866105	100110132	480/277	10	15.5
A	9004867105	100110133	480/277	12	15.5
A	9004854105	100110122	480/277	15	16.5
A	9004855105	100110123	480/277	15	22
A	9004856105	100110124	480/277	18	15.5
A	9004857105	100110125	480/277	8	22
B	9004868105	100110134	480	6	12
B	9004869105	100110135	480	9	15.5
B	9004870105	100110136	480	12	15.5
B	9004871105	100110137	480	18	15.5
B	9004872105	100110138	480	15	17.5

## Dip Tubes & T&P Extender and Run-Off Tubes

### Dip Tubes: Pex w/Double Heat Trap Nipples - All 3/4" NPT

Part Number	NEW Part Number	Nipple Length (Inches)	Overall Length (Inches)
9007495005	100112060	3	29.25
9007529005	100112090	3	30.5
9007493005	100112058	3	32
9008304005	100112694	3	34.25
9007494005	100112059	3	34.75
9007491005	100112056	3	38.25
9007492005	100112057	3	39.75
9007531005	100112092	3	40.5
9008305005	100112695	3	40.75
9007532005	100112093	3	42.5
9008337005	100112724	2.5	46.5

### Dip Tubes: With Diffuser and Gasket

Part Number	NEW Part Number	Overall Length (Inches)
9006297005	100111071	12
9003665005	100109380	18
9003663005	100109378	20
9002542005	100108849	24
9002543005	100108850	26
9006043005	100110845	27
9003668005	100109382	28
9002545005	100108852	32
9003447005	100109239	33
9006409005	100111172	34
9002546005	100108853	36
9006652005	100111367	37
9002547005	100108854	40
9008166005	100112567	42
9004261005	100109737	46
9003988005	100109658	50
9002549005	100108856	52



**Diffuser End**



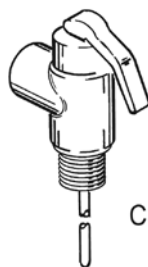
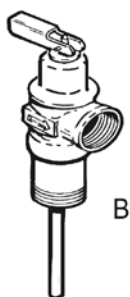
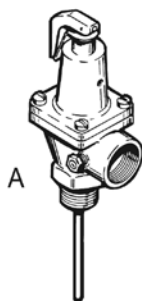
### Dip Tubes: PP (Polypropylene) w/Diffuser, Gasket and Heat Trap (All 3/4" NPT)

Part Number	NEW Part Number	Overall Length (Inches)
9003902005	100109601	26
9005690005	100110595	33
9005691005	100110596	35
9003903005	100109602	37
9005692005	100110597	40
9003904005	100109603	46
9003905005	100109604	50

### T&P Extender and Run Off Tubes

Part Number	NEW Part Number	Description
9000398015	100108403	T&P extender, 3/4" x 3-1/4", zinc dichromate nipple with polysulfone liner
9005265115	100110364	T&P extender, 3/4" x 2", zinc dichromate nipple with polysulfone liner
9006196005	100110979	T&P Discharge Pipe, Polypropylene 3/4" x 60" (Sold in quantities of 10 only)
9002273005	100108741	T&P Discharge Pipe, 55" PEX (Sold in quantities of 10 only)

# T&P Valves (Residential & Comm.): Brass & Nylon Drain Valves



## Temperature & Pressure Relief Valves (T&P Valves)

Image	Part Number	NEW Part Number	Model	Description
A	9005924205	100110739	40-L / FVMX-3C	T&P Valve, 1" 150#
A	9005903205	100110719	FVMX-4LS / LL40XL	T&P Valve, 1-inch
A	9007110005	100111722	FVX8L	T&P Valve, 1" 125LB.
A	9005899205	100110714	FVMX-5C / 40XL5	T&P Valve, 3/4" 150LB.
B	9006081005	100110880	FVMX-3LS	T&P Valve, 1" 150LB.
C	9000728015	100108455	NCLX5L / L100XL	2" Shank, 3/4" NPT, 150LB.
C	9001583015	100108600	NCLX-LS / LLL100XL	2 1/2" Shank, 3/4" NPT, 150LB.
C	9002403015	100108779	NCLX-A / EL100XL	3" Shank, 3/4" NPT, 150LB.
F	9003741005	100109448	NCLX-5XL / LL100XL	2" T&P Valve, 3/4" 150LB.
C	9000071015	100108279	NCLX5 / 100XL	5/8" Shank fits most gas & electric models, 3/4" NPT, 150LB.

## Drain Valves (Brass & Nylon)

Part Number	NEW Part Number	Description
9000254015	100108361	Nylon Drain Valve 3/4" NPT x 7/8"
9000058015	100108269	Nylon Drain Valve 3/4" NPT x 2"
9003098015	100109106	Nylon Drain Valve 3/4" NPT x 3"
9002402015	100108778	Nylon Drain Valve 3/4" NPT x 1-1/4"
9000679015	100108443	Nylon Drain Valve 3/4" NPT x 1-3/4"
9001588015	100108605	Nylon Drain Valve 3/4" NPT x 2-1/2"
9003906015	100109605	3/4" NPT x 2-1/2"
9003907015	100109606	3/4" NPT x 3"
9001870015	100108666	3/4" NPT x 2"
9004635115	100110002	3/4" Brass Sediment Flush Valve

## Commercial Orientation Pressure Only Relief Valves

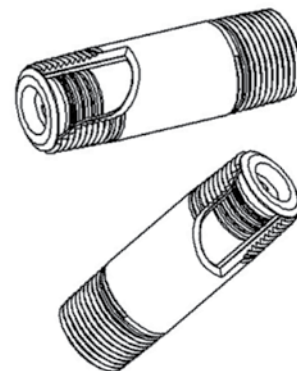
Image	Part Number	NEW Part Number	ASME	Description
C	9006321005	100111094	480,000	3/4", 30 LB. Pressure Relief Valve
C	9006921005	100111601	2,289,000	3/4", 125 LB. Pressure Relief Valve
C	9006920005	100111600	2,703,000	3/4", 150 LB. Pressure Relief Valve
C	9007370005	100111958	1,331,000	1" x 1-1/4", 30 LB. Pressure Relief Valve
C	9007111005	100111723	3,795,000	1", 150 LB. Pressure Relief Valve

## Installation Accessories

### Installation Accessories (All sold in pairs)

Part Number	NEW Part Number	Model	Description
9000060015	100108272	FC-15	3/4" x 15" Flexible Water Connectors
100108274	100108274	IK-1/2	1/2" Compression Fittings
100108275	100108275	IK-3/4	3/4" Compression Fittings
9003743015	100109450		1" x 4" Cold Inlet Pipe Nipples
9003936015	100109621		3/4" x 5" Pipe Nipple With Heat Traps
9000322015	100108381		3/4" x 2" PEX Lined Nipples
9002564015	100108858		3/4" x 3" PEX Lined Nipples
9002565015	100108860		1" x 2-1/2" PEX Lined Nipples
9000415015	100108409		Silencer Heat Traps (3/4" x 3" Nipples)
9003719015	100109433		3/4" x 2" Pipe Nipple With Double Heat Trap
9003977015	100109655		3/4" x 5" PEX Lined Nipples

**Double Heat Trap Nipples**



### Aluminum Water Heater Drain Pans

Part Number	NEW Part Number	Description
9000741005	100108459	20" Drain Pan with 1" Outlet (Up to 18" Diameter Heater)
9001609005	100108616	22" Drain Pan with 1" Outlet (Up to 20" Diameter Heater)
9002769005	100108931	24" Drain Pan with 1" Outlet (Up to 22" Diameter Heater)
9000743005	100108460	26" Drain Pan with 1" Outlet (Up to 24" Diameter Heater)
9001608005	100108615	28" Drain Pan with 1" Outlet (Up to 26" Diameter Heater)



## DELIMING MATERIALS

- For all water Heaters, Heating, cooling, evaporation & humidification equipment.
- Powerful, patented A. O. Smith UN•LIME® is ready to use without mixing or diluting.

PLEASE SEE IMPORTANT SHIPPING INFORMATION INSIDE FRONT COVER FOR THIS PRODUCT

### UN-LIME® Non Muratic Delimer

9005416105	100110459	1 Gallon size, plastic, case of four (4)
9005417105	100110460	5 Gallon size, plastic, one (1) per case

### Mag-Erad® Non-Toxic Cleaner for Noisy Tank Type Residential and Tankless Gas Water Heaters

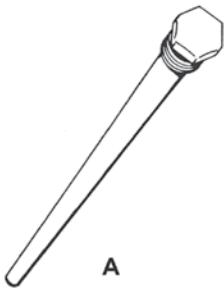
Part Number	NEW Part Number	Description
9005413105	100110458	1 Lb. can of Mag-Erad®
9005778105	100110638	12-1 Lb. cans of Mag-Erad®

- In concentrated powder form
- No special equipment required
- Minimum 2-1 lb. cans for 30 to 40 gallon size heaters, more required for larger sizes.

## Anodes: Screw-In Anodes (Aluminum - Magnesium)

### Anode Rods: 3/4" Screw-In Type (Aluminum)

Image	Part Number	NEW Part Number	Replacement For	Overall Length (Inches)
A	9003942005	100109623	9-15" original length	9"
A	9003944005	100109624	16-28" original length	16"
A	9000029005	100108260	29-32" original length	29"
A	9003892005	100109594	33" or longer original length	33"



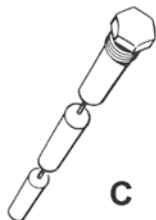
### Anode Rods: 3/4" Screw-In Type (Magnesium)

Image	Part Number	NEW Part Number	Replacement For	Overall Length (Inches)
A	9001909005	100108677	9-15" original length	9"
A	9003721005	100109434	16-31" original length	16"
A	9001829005	100108660	32-43" original length	32"
A	9003413005	100109223	44" or longer original length	44"

### Anode Rods: KA-90 ( For smelly water 3/4" Screw-In Type - Alum.)

Image	Part Number	NEW Part Number	Replacement For	Overall Length (Inches)
A	9006299005	100111073	16-41" original length	16"
A	9001453005	100108571	42" or longer original length	42"

Secondary Anode with Double Heat Trap for smelly water (KA-90) on page 19



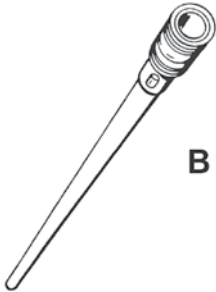
### Anode Rods: Flexible - 3/4" Screw-In Type

Image	Part Number	NEW Part Number	Material	Overall Length (Inches)
C	9005742105	100110627	Aluminum	48"
C	9005973005	100110784	Magnesium	48"

# Anodes - Secondary Anodes & Powered Anodes

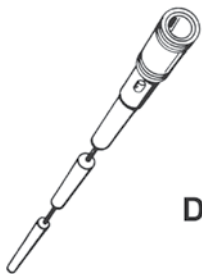
## Secondary Outlet Anode With Double Heat Trap (Aluminum)

Image	Part Number	NEW Part Number	Replacement For	Nipple Length (Inches)	Overall Length (Inches)
B	9006659005	100111374	14-25" original length	2"	14"
B	9006827005	100111515	14-25" original length	5"	14"
B	9004257005	100109736	19-25" original length	3"	19"
B	9006291005	100111067	26" or longer original length	3"	26"



## Secondary Outlet Anode With Double Heat Trap (Magnesium)

Image	Part Number	NEW Part Number	Replacement For	Nipple Length (Inches)	Overall Length (Inches)
B	9003934005	100109620	14-25" original length	3"	16"
B	9004333005	100109801	14-25" original length	5"	16"
B	9003938005	100109622	19-25" original length	2"	33"
B	9008938005	100187891	26" or longer original length	3"	39"



## Secondary Anode: KA-90 (for smelly water) with Double Heat Trap (Alum.)

Image	Part Number	NEW Part Number	Replacement For	Nipple Length (Inches)	Overall Length (Inches)
B	9008027005	100112446	29" or longer original length	4"	29"

## Secondary Anode: Flexible (Aluminum & Magnesium)

Image	Part Number	NEW Part Number	Material	Nipple Length (Inches)	Overall Length (Inches)
D	9005975005	100217951	Aluminum	2"	48"
D	9005974005	100110785	Magnesium	2"	48"

## Powered Anode

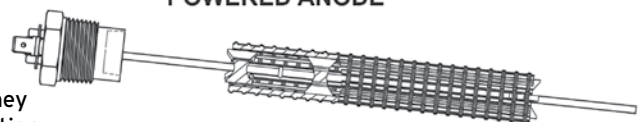
Part Number	NEW Part Number	Material
9006246005	100111023	Powered Anode, with shield 48"
9006247005	100111024	Powered Anode, with shield 13.78"
9006559005	100111286	Powered Anode, with shield 31.5"
9007324005	100111915	Powered Anode, without shield 19.69"
9008936005	100187890	Powered Anode, with shield 19.69"

Powered Anodes can only be used on heaters that include a power supply to power the Anode.

Therefore this will be exclusively a replacement part. Additionally, they are suggested to only be used in facilities with backup power generation.

- Powered Anodes last longer than sacrificial Anodes
- Powered Anodes produce excellent corrosion protection on the walls of the tank.

## POWERED ANODE





# Blower/Exhaust Assemblies - Commercial Gas Valves & Thermostats

## Gas Valves

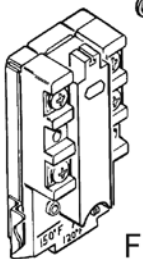
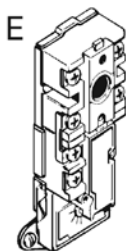
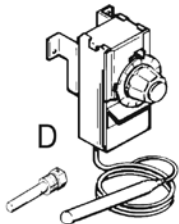
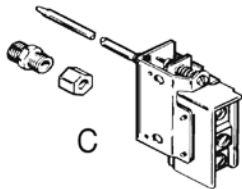
Part Number	NEW Part Number	Description	Gas Type
9004495205	100109889	1" NPT	Propane
9004496205	100109890	1" NPT	Natural
9004497205	100109891	3/4" NPT	Natural
9004551205	100109936	1" NPT	Natural
9007398005	100111977	1" NPT	Propane
9004507205	100109897	3/4" NPT	Natural
9007181005	100111784	3/4" NPT	Natural
9004521205	100109909	3/4" NPT	Natural
9004535205	100109922	1/2" NPT	Natural
9004582205	100109958	3/4" NPT	Propane
9004583205	100109959	3/4" NPT	Propane

## Blower Assemblies

Part Number	NEW Part Number	Series
9004305005	100109776	250/251
9004456105	100109864	250/251
9004306005	100109777	260/261
9004581105	100109957	100, 260

## Exhaust Assemblies

Part Number	NEW Part Number	Series
9004363105	100109819	226/227
9004419105	100109840	230/235
9004425105	100109844	230/231, 234/235
9004453105	100109862	236/237
9004434105	100109849	234/235



## Commercial Thermostats

Image	Part Number	NEW Part Number	Description
C	9004769105	100110071	Single pole, Double throw immersion Thermostat, temperature range 140°F to 194°F.
D	9005078205	100110256	Single pole, single throw remote bulb, immersion Thermostat, temperature range 60°F to 200°F.
NI*	9005714005	100110604	3/4" NPT well. Included with 9005078205 Thermostat
E	9004969215	100110182	Single pole, single throw Surface mounted Thermostat; adjustable 120°F to 180°F. Double pole, single throw, manual reset high limit, cutout -200°F Style 4401 series 59/66T
F	9004533215	100109920	Single pole, Double throw Thermostat with high limit incorporated as one piece, adjustable 120°F to 180°F. Type 89T13

\*NI: Not Illustrated

# Contactors/Transformer/High Limit Controls

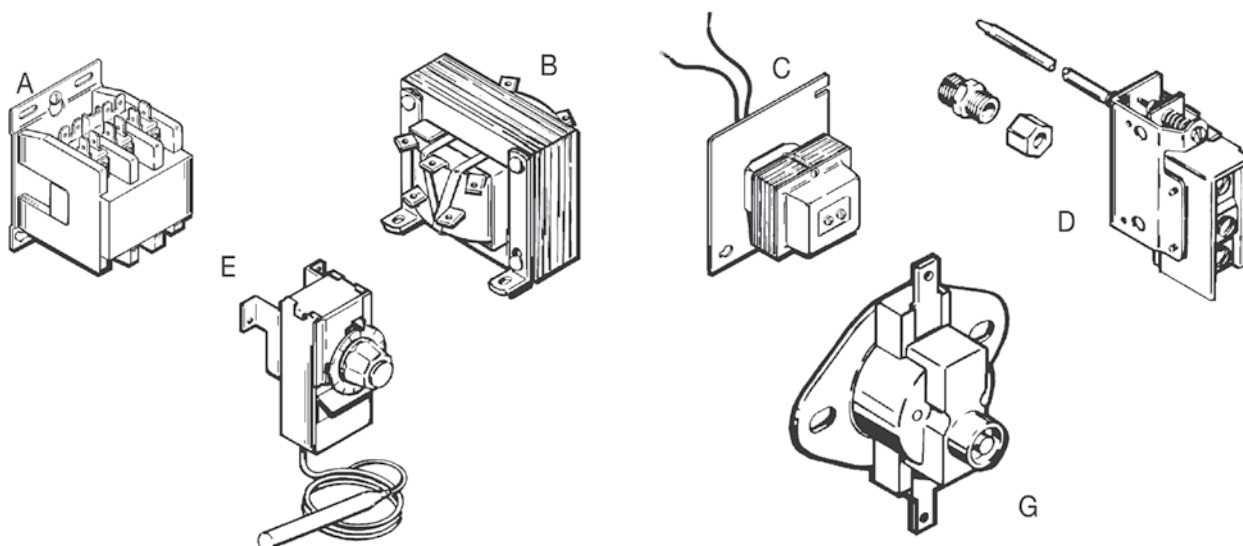
## Contactors

Image	Part Number	NEW Part Number	Description
A	9005013205	100110217	30* Amp, 120 Volt, three pole contactor
A	9004816105	100110093	50* Amp, 120 Volt, three pole contactor
A	9005434105	100110466	50* Amp, 208/240 Volt, three pole contactor
A	9004817105	100110094	50* Amp, 120 Volt, four pole contactor

\*Resistive amps

## High Limit Controls

Image	Part Number	NEW Part Number	Description
D	9004770105	100110072	Single pole, Double throw immersion high limit control, manual reset, non-adjustable cutout - 200°F
E	9004961205	100110176	Single pole, single throw, remote bulb, immersion high limit control, manual reset, non-adjustable cutout - 200°F
G	9004993215	100110201	Single pole, single throw surface mounted high limit control, manual reset, non-adjustable cutout - 255°F used on Copper Heat Exchanger models.



## Transformers

Image	Part Number	NEW Part Number	Description	Primary (Line Voltage)	Overall Length (Control Circuit Voltage)
B	9004830105	100110098	Transformer	208/240/480	120
B	9006861005	100111548	Transformer	208/240/277/480	120
C	9005916205	100110732	Plate Mounted Transformer	120	25
D	90059012055	100110717	Transformer	24 VAC	---

# Master Pack Tubs: Tankless Residential



Image Displays sample contents and the type of sturdy plastic tubs in which ALL Master Pack Kits are shipped.

## Tankless Residential Models GTS, ATI, GT 110, 310, 510 (Natural Gas)

**Tub Kit Number: 9008134005**  
**NEW Part Number: 100112538**

Part Number	NEW Part Number	Description	Quantity In Tub
319143-186	100074370	Bypass Valve	1
319143-197	100074381	Filter Plug	2
319143-339	100074523	Flame Rod - 110	2
319143-035	100074220	Flame Rod 310, 510	2
319143-182	100074366	Transformer	2
319143-178	100074362	Flow Valve/Sensor 510	1
319143-032	100074217	Gasket-Burner Holder	2
319143-341	100074525	Gasket-Burner Holder	2
319143-044	100074229	Gasket-Manifold A	2
319143-045	100074230	Gasket-Manifold B	2
319143-034	100074219	Gasket-Rod Holder	2
319143-228	100074412	High Limit Switch 110, 310	2
319143-095	100074280	High Limit Switch 510	2
319143-052	100074237	Igniter	2
319143-039	100074224	Igniter Cable Assembly	2
319143-373	100074556	Igniter Rod	2
319143-037	100074222	Igniter Rod 310, 510	2
319143-190	100074374	Mixing Thermister	2
319143-198	100074382	Inlet Water Filter	2
320273-345	100076306	O-Ring, P14, FKM	3
320273-346	100076307	O-Ring, P15, FKM	2
320273-347	100076308	O-Ring, P16, FKM	2
319143-057	100074242	O-Ring, P20, NBR	2
320273-342	100076303	O-Ring, P4, FKM	3
320273-344	100076305	O-Ring, P6, FKM	2
319143-149	100074334	OverHeat Cutoff Fuse	1
319143-168	100074352	Surge Box	2
319143-214	100074398	Thermister IN 110, 310	2
319143-085	100074270	Thermister IN 510	2
319143-218	100074402	Thermister OUT 110, 310	2
319143-096	100074281	Thermister OUT 510	2
9007603005	100112155	Remote Controller	1
319143-167	100074351	Flow Adjustment/Sensor Valve	1
9007666005	100112183	Remote Temperature Controller	1
319143-033	100074218	Burner Window	2
319143-350	100074533	O-Ring, P18, NBR	2

# Master Pack Tubs: Tankless Commercial

**Tankless Commercial Models 520, 710, 910, 320**  
**Tub Kit Number: 9009058005**  
**NEW Part Number: 100233297**

Part Number	NEW Part Number	Description	Qty In Tub	Part Number	NEW Part Number	Description	Qty In Tub
319143-053	100074238	Exhaust Fan Motor, 520	1	319143-143	100074328	Nylon Clamp	2
319143-043	100074228	Fan Motor 310, 510	1	319143-075	100074260	O-Ring, Jaso 1016, EPDM	2
319143-035	100074220	Flame Rod 310, 510	2	319143-099	100074284	O-Ring, Jaso 1017, EPDM	2
319143-092	100074277	Flow Sensor	1	320273-644	100076550	O-Ring, P12, FKM	6
319143-140	100074325	Fuse Box	2	320273-345	100076306	O-Ring, P14, FKM	3
319143-031	100074216	Gasket, All	2	320273-346	100076307	O-Ring, P15, FKM	2
319143-032	100074217	Gasket, All	2	320273-347	100076308	O-Ring, P16, FKM	14
319143-034	100074219	Gasket, All	5	319143-349	100074532	O-Ring, P18, EPDM	2
319143-044	100074229	Gasket, All	2	319143-350	100074533	O-Ring, P18, NBR	4
319143-045	100074230	Gasket, All	2	319143-057	100074242	O-Ring, P20	2
319143-301	100074485	Gasket, Burner Holder	2	320273-645	100076551	O-Ring, P25, FKM	2
319143-336	100074520	Gasket, Manifold B	2	319143-351	100074534	O-Ring, P26, NBR	2
319143-197	100074381	Water Filter Plug	2	320273-519	100076478	O-Ring, P3, FKM	2
319143-072	100074257	Water Inlet Filter	2	320273-342	100076303	O-Ring, P4, FKM	6
319143-095	100074280	High Limit Switch	2	319143-196	100074380	PCB 320	2
319143-052	100074237	Igniter	2	319143-126	100074311	PCB 520	1
319143-345	100074529	Igniter Cable 710	2	319143-267	100074451	PCB MC50	1
319143-039	100074224	Igniter Cable Assembly	2	319143-279	100074463	ASME PCB 710	1
319143-037	100074222	Igniter Rod 310, 510	2	319143-266	100074450	ASME PCB 910	1
9007603005	100112155	Remote Controller	1	319143-127	100074312	Transformer 520, 910, 320	1
319143-284	100074468	Surge Box	2	319143-309	100074493	Transformer 710	1
319143-131	100074316	Thermister Exhaust	2	319143-086	100074271	Water Control Valve	1
319143-085	100074270	Thermister IN 510	2	319143-227	100074411	Ground Fault Circuit Interrupter	2
319143-081	100074266	Thermister Mixing	2	319143-076	100074261	Heater Plate	2
319143-190	100074374	Thermister Mixing	2	319143-104	100074289	High Limit Exhaust Switch, DV	1
319143-096	100074281	Thermister OUT 510	1				



# Master Pack Tubs - Residential Electric - Residential Gas

## Residential Gas - Natural Gas SERIES 100 FVIR, GS6, GPX, GCV, GVR, XGV, XCV

**Tub Kit Number: 9008016005**  
**NEW Part Number: 100112436**

Part Number	NEW Part Number	Description	Qty In Tub
9003407005	100109217	WR Gas Control Valve (1.25" Shank) Natural	2
9003638005	100109365	WR Gas Control Valve (2.5" Shank) Natural	1
9003521005	100109286	FV Pilot Assembly (200 Degrees)	1
9003542005	100109295	FV Pilot Assembly (190 Degrees)	1
9000497015	100108420	Thermocouple 36"	2
9003410015	100109221	Piezo Igniter/Bracket	2
9003414005	100109224	Temperature Pressure Relief Valve	2
9000071015	100108279	T&P Valve	1
9003906015	100109605	Drain Valve	1
9003563005	100109316	Complete Burner Assembly-NAT	1
9003491005	100109264	Complete Burner Assembly-HA NAT	1

## Residential Electric: All Series

**Tub Kit Number: 9007432005**  
**NEW Part Number: 100112006**

Part Number	NEW Part Number	Description	Qty In Tub
9001954015	100108683	Upper Thermostat	4
9000507015	100108421	Lower Thermostat	4
9000030015	100108262	Universal Adapter Kit	1
9000071015	100108279	Temperature and Pressure Relief Valve	4
9000509015	100108424	Single Element Thermostat	1
9000136015	100108319	3800 Watt 240v Good Screw-In Element	1
9000092015	100108283	4500 Watt 240v Good Screw-In Element	4
9000095015	100108290	4500 Watt 240v Better Screw-In Element	2
9003951115	100109633	5500 Watt 240v Good Screw-InElement	1
9004777105	100110079	1500 Watt 120v Screw-In Element	1

## Master Pack Tubs: Residential Gas (Power Vent/Next Gen Series 200)

### Residential Power Vent Gas Series 100 FVIR: GS6, GPV

**Tub Kit Number: 9007433005**  
**NEW Part Number: 100112007**

Part Number	NEW Part Number	Description	Qty In Tub
9006017015	100110820	Pressure Switch Kit	2
9005958005	100110771	Hot Surface Igniter Assembly	2
9006029015	100110832	FVIR Sensor & Bracket	2
9004316005	100109785	Blower Assembly	1
9000071015	100108279	T&P Relief Valve	2
9004267005	100109740	Intellivent Gas Control (2.5" Shank) NG	1
9004240005	100109724	Intellivent Gas Control (1.25" Shank) NG	1



### Residential Gas: Series 200 Next Gen GS6, GCV, GPX, GVK, XCZ

**Tub Kit Number: 9007434005**  
**NEW Part Number: 100112008**

Part Number	NEW Part Number	Description	Qty In Tub
9006655005	100111369	NG Gas Control Valve	3
9006666015	100111380	Pilot Assembly Natural	2
9006619005	100111335	Complete Burner/Door Assembly NG Shorts	1
9006620005	100111336	Complete Burner/Door Assembly NG 40 Reg.	1
9006621005	100111337	Complete Burner/Door Assembly NG 50 Reg.	1
9000056015	100108267	Thermocouple 19-24"	2
9003410015	100109221	Piezo Igniter/Bracket	2
9000071015	100108279	Temperature and Pressure Relief Valve	2

**ADDENDUM: SLIP SHEET**  
**Added to 2015 Replacement Parts Catalog**  
**April 2015 • Revision**

**Master Pack Tubs: Residential Gas: Next Gen Series 300**



**Residential Gas: Series 300 Next Gen**  
**GS6, GCV, GPX, GVK, XCZ**

**Tub Kit Number: 9009030005**  
**NEW Part Number: 100158084**

Part Number	NEW Part Number	Description	Qty In Tub
9007876005	100112330	Pilot/Thermopile w/Tubing Assy, Natural	2
9000728015	100108455	T&P Valves, 150#, 2"	2
9007885005	100112337	Gas Control Valve, Natural	3
9007899005	100112342	Final Burner Assembly, Natural 16", #37 Orifice	1
9007905005	100112348	Final Burner Assembly, Natural 18", #37 Orifice	1
9007908005	100112351	Final Burner Assembly, Natural 18", #37 Orifice	1



## Master Pack Tubs - High Efficiency Commercial Gas

### High Efficiency Commercial Models: BTH, SUF Series 970 (Natural Gas) 150, 000 BTU – 250, 000 BTU

**Tub Kit Number: 9007936005 • Quantity = 1 each**  
**NEW Part Number: 100112361**

Part Number	NEW Part Number	Description	Part Number	NEW Part Number	Description
9004242205	100109727	Control Board	9005929215	100110701	Flame Sensor
9004586215	100109962	Blower Prover Switch	9004519205	100109906	Igniter
9005900215	100110715	Inlet Switch	9004521205	100109909	Gas Valve 150/199
9004550215	100109935	Flue Switch	9004507205	100109897	Gas Valve 250
9004238215	100109721	Upper Probe	9004515205	100109904	Transformer Kit
9004241215	100109726	Lower Probe	9005899205	100110714	T&P Valve
9005886215	100110701	On/Off Switch			

### High Efficiency Commercial BTH, SUF, HCG Series 200 (Natural Gas)

**Tub Kit Number: 9009032005 • Qty = 1 each**  
**NEW Part Number: 100191121**

Part Number	NEW Part Number	Description
9008907015	100187861	CCB Board
9008996015	100217965	Blocked Inlet Switch, 2.3"
9008860015	100113143	Blocked Inlet Switch
9008905015	100187859	Blocked Outlet Switch, 2.0"
9008904015	100187858	Blower Prover Switch, 1.0"
9008861015	100113144	Blower Prover Switch
9008906015	100187860	Upper Probe, 40" Leads
9006242015	100111019	Lower Probe
9007138005	100111744	Burner Flange Gasket
9008930015	100187884	Burner/Blower Gasket
9007437015	100112011	Burner Gasket
9008913015	100187867	Burner Gasket
9008915015	100187869	Burner Plate Gasket
9008924005	100187878	Burner Plate Gasket
9008928015	100187882	Flame Sensor
9008868015	100113151	Flame Sensor Rod
9009027005	100191120	Spark Igniter Assembly 200/201
9008875005	100113158	Spark Module
9008927015	100187881	Spark Igniter Assembly
9008918005	100187872	Gas Valve/Venturi Assembly, N
9008920005	100187874	Gas Valve/Venturi Assembly, N
9008922005	100187876	Gas Valve/Venturi Assembly, N



### High Efficiency Commercial Natural Gas: BTX-100, SHE 50-100 NE

**Tub Kit Number: 9007230005 • Qty = 1 each**  
**NEW Part Number: 100111831**

Part Number	NEW Part Number	Description
9006240005	100111017	Display Board
9000728015	100108455	T&P Valve
9007142005	100111748	Controller
9006282015	100111058	Blocked Outlet Switch
9005972215	100110783	Blocked Inlet Switch
9006280015	100111056	Fan Prover Switch
9004238215	100109721	Upper Probe
9006423005	100111184	Blower
9007139005	100111745	Blower Gasket
9007138005	100111744	Burner Flange Gasket
9006424005	100111185	Burner Assembly
9006425005	100111186	Gas Valve/Venturi Assembly
9007229005	100111830	Flame Sensor Rod
9006968005	100111644	Igniter
9006969005	100111645	Wire Harness

## Master Pack Tubs - High Efficiency/Heavy Duty Commercial Gas

**High Efficiency Commercial Models: BTH, SUF, HCG Series 100 (Natural Gas)**  
**199, 000 BTU – 250, 000 BTU**

**Tub Kit Number: 9007355005 • Quantity = 1 each**  
**NEW Part Number: 10011944**

Part Number	NEW Part Number	Description	Part Number	NEW Part Number	Description
9006264005	10011040	Controller	9006101205	100110899	Igniter
9006289015	10011065	Blocked Outlet Switch	9006285005	100111061	Gas Valve/Venturi Assembly
9006288015	10011064	Blocked Inlet Switch	9006256015	100111033	Low Gas Pressure Switch
9006280015	10011056	Blower Prover	9007139005	100111745	Burner Gasket
9004238215	100109721	Upper Probe	9006909005	100111593	Burner Gasket
9006242015	100111019	Lower Probe	197789-000	100055547	Venturi Gasket
9006106205	100110905	Flame Sensor	9007138005	100111744	Flange Gasket
9005929215	100110744	On/Off Switch	9004490215	100109886	Silicone Tube 6 ft.



**Heavy Duty Commercial Gas Models**  
**BCG3 65T300, 85T360, 100T390**  
**SBD 65-305, 85-365, 100-390 • BTR 305, 365, 400**

**Tub Kit Number: 9008017005**  
**NEW Part Number: 100112437**

Part Number	NEW Part Number	Description	Qty In Tub
9005995105	100110800	Damper Drive Assembly 8"	1
9005291205	100110382	Main Burner w/ Bracket	1
9004541215	100109926	Pilot Burner- Natural	2
9004542215	100109928	Pilot Burner-LP	1
9004544205	100109929	Ignition Control Module	2
9004570205	100109945	Thermostat (digital)	2
9006048205	100110850	Lower Probe	2
9006047205	100110849	Upper Probe	2
9006066205	100110867	Gas Valve-Natural	2
9004528205	100109915	Gas Valve-LP	1
9006057215	100110859	Control Harness	1

## Master Pack Tubs: Tankless Condensing Models

**Tankless Condensing Models: T-H3, T-H3S, T-H3J, T-H3M**  
**ATI / GTS / GT 140, 240, 340, 540**  
**Tub Kit Number: 9009031005 • NEW Part Number: 100158085**

Part Number	NEW Part Number	Description	Qty In Tub
319143-032	100074217	Gasket, Burner Holder	2
319143-033	100074218	Window, Burner	3
319143-034	100074219	Gasket, Rod Holder	5
319143-037	100074222	Rod, Igniter	2
319143-043	100074228	Motor, Fan	1
319143-044	100074229	Gasket, Manifold, A	2
319143-045	100074230	Gasket, Manifold, B	2
319143-049	100074234	Ring, Gas Inlet	1
319143-057	100074242	O-Ring, P20 NBR	3
319143-067	100074252	Fuse, Over Heat Cutoff	1
319143-095	100074280	Switch, High Limit	1
319143-096	100074281	Thermistor, Output	2
319143-104	100074289	Switch, High Limit, Exhaust, DV	2
319143-111	100074296	Gasket, Thermistor, Exhaust	5
319143-131	100074316	Exhaust Thermistor Assembly, DV	2
319143-149	100074334	Fuse, Over Heat Cutoff	1
319143-190	100074374	Thermistor, Mixing	1
319143-214	100074398	Igniter, Inlet	2
319143-228	100074412	Switch, High Limit	2
319143-342	100074526	Ring, Gas Inlet	1
319143-350	100074533	O-Ring, P18, NBR	4
319143-443	100074606	Motor, Fan, Indoor	1
319143-463	100074624	Valve, Flow Adjustment/Flow	2
319143-464	100074625	Valve, Bypass, 510U	1
319143-465	100074626	Thermistor, Inlet, 510U	1
319143-479	100074640	Igniter	2
319143-517	100074673	Rod, Flame	2
319143-529	100074680	Thermistor, Outlet, 240/340	1
319143-543	100074694	Board, Computer, 240	1
319143-544	100074695	Board, Computer, 340	1
319143-545	100074696	Board, Computer, 540	1
320273-128	100076100	Box, Surge	1
320273-342	100076303	O-Ring, P4, FKM	5
320273-344	100076305	O-Ring, P6, FKM	3
320273-345	100076306	O-Ring, P14, FKM	10
320273-346	100076307	O-Ring, P15, FKM	3
320273-347	100076308	O-Ring, P16, FKM	5
320273-357	100076318	Rod, Igniter	1
320273-369	100076330	Board, Computer	1
320273-381	100076342	Igniter Assembly	1
9008172005	100112572	K, Remote Controller, ULN Models	1

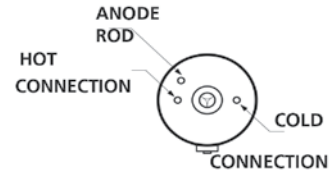
# Heater Parts Lists

## Residential Gas

### Series 300

30 Gallon: 6 Year Warranty

30 Gallon: 10 Year Warranty



### Warranty Period: 6 Year

Models	GCV 30 & GS6 30 YORT		GCVL30 & GS6 30 YORS		GCVL30 & GS6 30 YORS	
Component	Part Number	NEW Part Number	Part Number	NEW Part Number	Part Number	NEW Part Number
Burner Door Assembly - Nat	9007803005	100112276	9007902005	100112345	9007803005	100112276
Burner Door Assembly - LP	9007802005	100112275	9007802005	100112275	9007802005	100112275
Inlet Tube	9008160005	100112560	9006949005	100111628	9008160005	100112560
Anode	9003944005	100109624	9003944005	100109624	9003944005	100109624
T&P Valve	9000071015	100108279	9000071015	100108279	9000728015	100108455
Gas Control - Nat	9007884005	100112336	9007884005	100112336	9007885005	100112337
Gas Control - LP	9007890005	100112338	9007890005	100112338	9007891005	100112339
Pilot w/Tubing - Nat	9007876005	100112330	9007876005	100112330	9007876005	100112330
Pilot w/Tubing - LP	9007877005	100093983	9007877005	100093983	9007877005	100093983
Drain Valve	9004330015	100109800	9004330015	100109800	9001870015	100108666

### Warranty Period: 10 Year

Models	XCV 30 & GSX 30 YORT		XCVL30 & GSX 30 YORS		XVR 30 & GSX 30 YOCT	
Component	Part Number	NEW Part Number	Part Number	NEW Part Number	Part Number	NEW Part Number
Burner Door Assembly - Nat	9007803005	100112276	9007902005	100112345	9007803005	100112276
Burner Door Assembly - LP	9007799005	100112274	9007799005	100112274	9007802005	100112275
Inlet Tube	9008160005	100112560	9006949005	100111628	9008160005	100112560
Anode	9003721005	100109434	9003721005	100109434	9003721005	100109434
T&P Valve	9000071015	100108279	9000071015	100108279	9000728015	100108455
Gas Control - Nat	9007884005	100112336	9007884005	100112336	9007885005	100112337
Gas Control - LP	9007890005	100112338	9007890005	100112338	9007891005	100112339
Pilot w/Tubing - Nat	9007876005	100112330	9007876005	100112330	9007876005	100112330
Pilot w/Tubing - LP	9007877005	100093983	9007877005	100093983	9007877005	100093983
Drain Valve	9004330015	100109800	9004330015	100109800	9001870015	100108666

## Heater Parts Lists

# Residential Gas

**Series 300**  
**40 Gallon: 6 Year Warranty**



### Warranty Period: 6 Year

Models	GCVT 40 & GS6 40 YRRT		GCV 40 & GS6 40 YBRT		GCVL 40 & GS6 40 YBRS	
Component	Part Number	NEW Part Number	Part Number	NEW Part Number	Part Number	NEW Part Number
Burner Door Assembly - Nat	9007900005	100112343	9007899005	100112342	9007905005	100112348
Burner Door Assembly - LP	9007903005	100112346	9007799005	100112274	9007799005	100112274
Inlet Tube	9008029005	100112448	9006690005	100111401	9002545005	100108852
Anode	9003944005	100109624	9003944005	100109624	9003944005	100109624
T&P Valve	9000728015	100108455	9000071015	100108279	9000071015	100108279
Gas Control - Nat	9007885005	100112337	9007884005	100112336	9007884005	100112336
Gas Control - LP	9007891005	100112339	9007890005	100112338	9007890005	100112338
Pilot w/Tubing - Nat	9007876005	100112330	9007876005	100112330	9007876005	100112330
Pilot w/Tubing - LP	9007877005	100093983	9007877005	100093983	9007877005	100093983
Drain Valve	9001870015	100108666	9004330015	100109800	9004330015	100109800

### Warranty Period: 6 Year

Models	GCVT 40 & GS6 40 YRRT		GCV 40 & GS6 40 YBRT	
Component	Part Number	NEW Part Number	Part Number	NEW Part Number
Burner Door Assembly - Nat	9007899005	100112342	9007905005	100112348
Burner Door Assembly - LP	9007799005	100112274	9007799005	100112274
Inlet Tube	9006690005	100111401	9003668005	100109382
Anode	9003944005	100109624	9003721005	100109434
T&P Valve	9000728015	100108455	9000728015	100108455
Gas Control - Nat	9007885005	100112337	9007885005	100112337
Gas Control - LP	9007891005	100112339	9007891005	100112339
Pilot w/Tubing - Nat	9007876005	100112330	9007876005	100112330
Pilot w/Tubing - LP	9007877005	100093983	9007877005	100093983
Drain Valve	9001870015	100108666	9001870015	100108666

## Heater Parts Lists

# Residential Gas

### Series 300 40 Gallon: 10 Year Warranty

#### Warranty Period: 10 Year

Models	XCVL 40 & GSX 40 YBRS		XVR 40 & GSX 40 YOCT		XVRL 40	
Component	Part Number	NEW Part Number	Part Number	NEW Part Number	Part Number	NEW Part Number
Burner Door Assembly - Nat	9007905005	100112348	9007899005	100112342	9007905005	100112348
Burner Door Assembly - LP	9007799005	100112274	9007799005	100112274	9007799005	100112274
Inlet Tube	9002545005	100108852	9006690005	100111401	9002545005	100108852
Anode	9003721005	100109434	9001829005	100108660	9003721005	100109434
T&P Valve	9000071015	100108279	9000728015	100108455	9000728015	100108455
Gas Control - Nat	9007884005	100112336	9007885005	100112337	9007885005	100112337
Gas Control - LP	9007890005	100112338	9007891005	100112339	9007891005	100112339
Pilot w/Tubing - Nat	9007876005	100112330	9007876005	100112330	9007876005	100112330
Pilot w/Tubing - LP	9007877005	100093983	9007877005	100093983	9007877005	100093983
Drain Valve	9004330015	100109800	9001870015	100108666	9001870015	100108666

#### Warranty Period: 10 Year

Models	XGV 40 & GPX 40 YXRT		XCVT 40 & GSX 40 YRRT		XCV 40 & GSX 40 YBRT	
Component	Part Number	NEW Part Number	Part Number	NEW Part Number	Part Number	NEW Part Number
Burner Door Assembly - Nat	9007899005	100112342	9007900005	100112343	9007899005	100112342
Burner Door Assembly - LP	9007799005	100112274	9007903005	100112346	9007911005	100112352
Inlet Tube	9003473005	100109254	9008029005	100112448	9006690005	100111401
Anode	9003938005	100109622	9001829005	100108660	9001829005	100108660
T&P Valve	9003484005	100109259	9000728015	100108455	9000071015	100108279
Gas Control - Nat	9007885005	100112337	9007885005	100112337	9007884005	100112336
Gas Control - LP	9007891005	100112339	9007891005	100112339	9007890005	100112338
Pilot w/Tubing - Nat	9007876005	100112330	9007876005	100112330	9007876005	100112330
Pilot w/Tubing - LP	9007877005	100093983	9007877005	100093983	9007877005	100093983
Drain Valve	9001870015	100108666	9001870015	100108666	9004330015	100109800

## Heater Parts Lists

# Residential Gas

### Series 300

50 Gallon: 6 Year Warranty

50 Gallon: 10 Year Warranty



#### Warranty Period: 6 Year

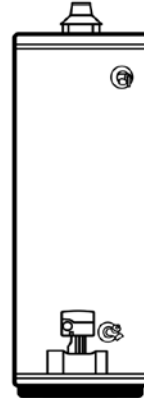
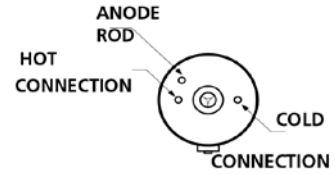
Models	GCV 50 & GS6 50 YBRT		GVR 50 & GS6 50 YOCT	
Component	Part Number	NEW Part Number	Part Number	NEW Part Number
Burner Door Assembly - Nat	9007908005	100112351	9007905005	100112348
Burner Door Assembly - LP	9007911005	100112352	9007911005	100112352
Inlet Tube	9008029005	100112448	9008029005	100112448
Anode	9000029005	100108260	9000029005	100108260
T&P Valve	9000071015	100108279	9000728015	100108455
Gas Control - Nat	9007884005	100112336	9007885005	100112337
Gas Control - LP	9007890005	100112338	9007891005	100112339
Pilot w/Tubing - Nat	9007876005	100112330	9007876005	100112330
Pilot w/Tubing - LP	9007877005	100093983	9007877005	100093983
Drain Valve	9004330015	100109800	9001870015	100108666

#### Warranty Period: 10 Year

Models	XGV 50 & GPX 50 YXRT		XVR 50 & GSX 50 YOCT		XCV 50 & GSX 50 YBRT	
Component	Part Number	NEW Part Number	Part Number	NEW Part Number	Part Number	NEW Part Number
Burner Door Assembly - Nat	9007908005	100112351	9007905005	100112348	9007908005	100112351
Burner Door Assembly - LP	9007799005	100112274	9007911005	100112352	9007802005	100112275
Inlet Tube	9006653005	100111368	9008029005	100112448	9008029005	100112448
Anode	9001829005	100108660	9001829005	100108660	9001829005	100108660
T&P Valve	9000728015	100108455	9000728015	100108455	9000071015	100108279
Gas Control - Nat	9007885005	100112337	9007885005	100112337	9007884005	100112336
Gas Control - LP	9007891005	100112339	9007891005	100112339	9007890005	100112338
Pilot w/Tubing - Nat	9007876005	100112330	9007876005	100112330	9007876005	100112330
Pilot w/Tubing - LP	9007877005	100093983	9007877005	100093983	9007877005	100093983
Drain Valve	9001870015	100108666	9001870015	100108666	9004330015	100109800



# Heater Parts Lists



## Residential Gas

### Series 400

30 Gallon: 6 Year Warranty

30 Gallon: 10 Year Warranty

#### Warranty Period: 6 Year

Models	GCB 30 & GS6 30 ORBT BLANKET MODELS		GCBL 30 & GS6 30 ORBS BLANKET MODELS		GCR 30 & GS6 30 OCT		GCRL 30 & GS6 30 OCS	
	Part Number	NEW Part Number	Part Number	NEW Part Number	Part Number	NEW Part Number	Part Number	NEW Part Number
Burner Door Assembly - Nat	9008967005	100187918	9008965005	100187916	9008967005	100187918	9008965005	100187916
Burner Door Assembly - LP	9007802005	100112275	9007804005	100112277	9007802005	100112275	9007804005	100112277
Inlet Tube	9008988005	100217957	9008991005	100217960	9008988005	100217957	9008991005	100217960
Anode	9003944005	100109624	9003944005	100109624	9003944005	100109624	9003944005	100109624
T&P Valve	9000071015	100108279	9000071015	100108279	9000071015	100108279	9000728015	100108455
Gas Control - Nat	100262938	100262938	100262938	100262938	100262939	100262939	100262939	100262939
Gas Control - LP	9007890005	100112338	9007890005	100112338	9007891005	100112339	9007891005	100112339
Pilot w/Tubing - Nat	9007876005	100112330	9007876005	100112330	9007876005	100112330	9007876005	100112330
Pilot w/Tubing - LP	9007877005	100093983	9007877005	100093983	9007877005	100093983	9007877005	100093983
Drain Valve	9009083015	100263839	9009083015	100263839	9009084015	100263840	9009084015	100263840

#### Warranty Period: 10 Year

Models	GSX 30 ORBT BLANKET MODELS		GSX 30 ORBS BLANKET MODELS		XCR 30 & GSX 30 OCT		XCRL 30 & GSX 30 OCS	
	Part Number	NEW Part Number	Part Number	NEW Part Number	Part Number	NEW Part Number	Part Number	NEW Part Number
Burner Door Assembly - Nat	9008967005	100187918	100187918	100187916	9008967005	100187918	9008965005	100187916
Burner Door Assembly - LP	9007802005	100112275	100112275	100112277	9007802005	100112275	9007804005	100112277
Inlet Tube	9008988005	100217957	100217957	100217960	9008988005	100217957	9008991005	100217960
Anode	9003721005	100109434	100109434	100109434	9003721005	100109434	9003721005	100109434
T&P Valve	9000071015	100108279	100108279	100108279	9000071015	100108279	9000728015	100108455
Gas Control - Nat	100262938	100262938	100262938	100262938	100262939	100262939	100262939	100262939
Gas Control - LP	9007890005	100112338	100112338	100112338	9007891005	100112339	9007891005	100112339
Pilot w/Tubing - Nat	9007876005	100112330	100112330	100112330	9007876005	100112330	9007876005	100112330
Pilot w/Tubing - LP	9007877005	100093983	100093983	100093983	9007877005	100093983	9007877005	100093983
Drain Valve	9009083015	100263839	100263839	100263839	9009084015	100263840	9009084015	100263840

## Heater Parts Lists

# Residential Gas

### Series 400

40 Gallon: 6 Year Warranty

40 Gallon: 10 Year Warranty



#### Warranty Period: 6 Year

Models	GCB 40 & GS6 40 BRBT BLANKET MODELS		GCBL 40 & GS6 40 BRBS BLANKET MODELS		GCRT 40 & GS6 40 RCT		GCRL 40 & GS6 40 BCS		GCR 40 & GS6 40 BCT	
	Part Number	NEW Part Number	Part Number	NEW Part Number	Part Number	NEW Part Number	Part Number	NEW Part Number	Part Number	NEW Part Number
Burner Door Assembly - Nat	9008980005	100187931	9008963005	100187914	9008982005	100187933	9008963005	100187914	9008980005	100187931
Burner Door Assembly - LP	9008969005	100187920	9007799005	100112274	9007900005	100112343	9007799005	100112274	9008969005	100187920
Inlet Tube	9008992005	100217961	9008993005	100217962	9008992005	100217961	9008993005	100217962	9008992005	100217961
Anode	9000029005	100108260	9003944005	100109624	9000029005	100108260	9003944005	100109624	9000029005	100108260
T&P Valve	9000071015	100108279	9000071015	100108279	9000728015	100108455	9000728015	100108455	9000728015	100108455
Gas Control - Nat	100262938	100262938	100262938	100262938	100262939	100262939	100262939	100262939	100262939	100262939
Gas Control - LP	9007890005	100112338	9007890005	100112338	9007891005	100112339	9007891005	100112339	9007891005	100112339
Pilot w/Tubing - Nat	9007876005	100112330	9007876005	100112330	9007876005	100112330	9007876005	100112330	9007876005	100112330
Pilot w/Tubing - LP	9007877005	100093983	9007877005	100093983	9007877005	100093983	9007877005	100093983	9007877005	100093983
Drain Valve	9009083015	100263839	9009083015	100263839	9009084015	100263840	9009084015	100263840	9009084015	100263840

#### Warranty Period: 10 Year

Models	GSX 40 BRBS BLANKET MODELS		XCR 40 & GSX 40 BCT	
	Part Number	NEW Part Number	Part Number	NEW Part Number
Burner Door Assembly - LP	9008963005	100187914	9008963005	100187914
Inlet Tube	9007799005	100112274	9007799005	100112274
Anode	9008993005	100217962	9008993005	100217962
T&P Valve	9003944005	100109624	9003944005	100109624
Gas Control - Nat	9000071015	100108279	9000728015	100108455
Gas Control - LP	100262938	100262938	100262939	100262939
Pilot w/Tubing - Nat	9007890005	100112338	9007891005	100112339
Pilot w/Tubing - LP	9007876005	100112330	9007876005	100112330
Drain Valve	9007877005	100093983	9007877005	100093983
Drain Valve	9009083015	100263839	9009084015	100263840

#### Warranty Period: 10 Year

Models	XCRL 40 & GSX 40 BCS		XCRT 40 & GSX 40 RCT	
	Part Number	NEW Part Number	Part Number	NEW Part Number
Burner Door Assembly - Nat	9008980005	100187931	9008982005	100187933
Burner Door Assembly - LP	9008969005	100187920	9007900005	100112343
Inlet Tube	9008992005	100217961	9008992005	100217961
Anode	9001829005	100108660	9001829005	100108660
T&P Valve	9000728015	100108455	9000728015	100108455
Gas Control - Nat	100262939	100262939	100262939	100262939
Gas Control - LP	9007891005	100112339	9007891005	100112339
Pilot w/Tubing - Nat	9007876005	100112330	9007876005	100112330
Pilot w/Tubing - LP	9007877005	100093983	9007877005	100093983
Drain Valve	9009084015	100263840	9009084015	100263840

## Heater Parts Lists

# Residential Gas

### Series 400

50 Gallon: 6 Year Warranty

50 Gallon: 10 Year Warranty



#### Warranty Period: 6 Year

Models	GCG-50 & GS6 50 BRT		GCR 50 & GS6 50 BCT	
Component	Part Number	NEW Part Number	Part Number	NEW Part Number
Burner Door Assembly - Nat	9008971005	100187922	9008971005	100187922
Burner Door Assembly - LP	9007911005	100112352	9007911005	100112352
Inlet Tube	9008989005	100217958	9008989005	100217958
Anode	9003892005	100109594	9003892005	100109594
T&P Valve	9003484005	100109259	9000728015	100108455
Gas Control - Nat	100262939	100262939	100262939	100262939
Gas Control - LP	9007981005	100112401	9007891005	100112339
Pilot w/Tubing - Nat	9007876005	100112330	9007876005	100112330
Pilot w/Tubing - LP	9007877005	100093983	9007877005	100093983
Drain Valve	9009083015	100263839	9009084015	100263840

#### Warranty Period: 10 Year

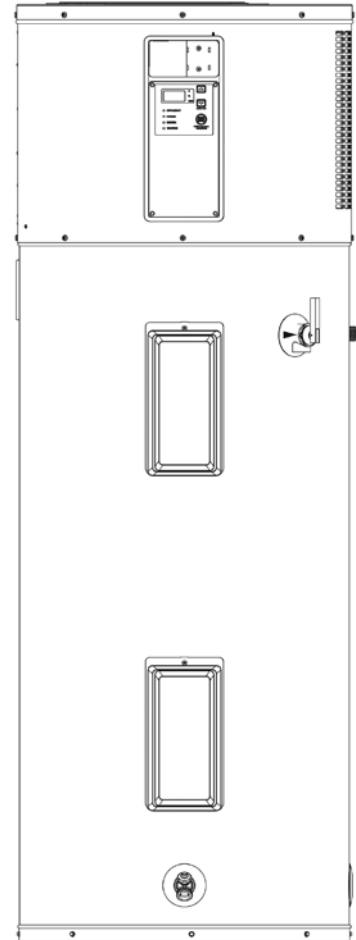
Models	XCR 50 & GSX 50 BRT		XCR 50 & GSX 50 BCT	
Component	Part Number	NEW Part Number	Part Number	NEW Part Number
Burner Door Assembly - Nat	9008971005	100187922	9008971005	100187922
Burner Door Assembly - LP	9007911005	100112352	9007911005	100112352
Inlet Tube	9008989005	100217958	9008989005	100217958
Anode	9003721005	100109434	9003721005	100109434
T&P Valve	9000728015	100108455	9000728015	100108455
Gas Control - Nat	100262939	100262939	100262939	100262939
Gas Control - LP	9007891005	100112339	9007891005	100112339
Pilot w/Tubing - Nat	9007876005	100112330	9007876005	100112330
Pilot w/Tubing - LP	9007877005	100093983	9007877005	100093983
Drain Valve	9009084015	100263840	9009084015	100263840

## Heater Parts Lists

# Residential Gas

### Standard Replacement Parts: Heat Pump

Part Number	NEW Part Number	Description
9007473015	100112039	Multi-Temp Accessory Kit
9007474015	100112040	Upper Lower Temp Accessory Kit
9007475005	100112041	Run Capacitor Kit
9007476005	100112042	Compressor Control Relay Kit
9007477005	100112043	Electronic Control Board Kit
9007478005	100112044	User Interface Module Kit
9007479015	100112045	4.5 KW Element Kit Upper
9007480015	100112046	ECO Kit
9007481015	100112047	J-Tube Kit
9007482005	100112048	Air Filter Kit
9000071015	100108279	T&P Kit
9007486005	100112051	Fan Assembly Kit
9003946115	100109626	2.0 KW Element Lower
9007324005	100111915	Powered Anode Rod 60-gallon
9001870015	100108666	Drain Valve - Brass
9007485015	100112050	Control Board Module Fuses
9006403015	100093918	ECO Cover



## Heater Parts Lists

# Residential Hybrid

### Standard Replacement Parts: Hybrid

Part Number	NEW Part Number	Description
9000058015	100108269	Drain Valve
9003741005	100109448	Temperature & Pressure Valve (T&P)
9004333005	100109801	Anode/MG/NIP/HT
9006291005	100111067	Anode/AL/NIP/HT
9007173005	100111776	Circulation pump Assembly
9007174005	100111777	Inlet/Outlet thermistor (Temp sensor)
9007175005	100111778	PCB Assembly w/Base
9007176005	100111779	12" Hose (Braided)
9007177005	100111780	Tank Thermistor
9007178005	100111781	NIP/Dip/TBO/HT
9007179015	100111782	Hi Limit 85 (ECO)
9007205005	100111808	Drain/Trap Assembly-Condensate
9007206005	100111809	Heat Engine Assembly
9007207005	100111810	Gas Valve
9007208005	100111811	DipTube - "J" 3/4" (return)
9007209005	100111812	Transformer
9007210015	100111813	Hi Limit Fuse
9007211015	100111814	Switch-High Temp
9007424005	100111998	Water Valve Assembly
9007425005	100111999	Display Assembly with Label (English)
9007426005	100112000	Display Assembly with Label (Bi-lingual)
9007427015	100112001	PCB Fuse
9007428015	100112002	Flame sensor with Bracket and Gasket
9007429015	100112003	Igniter w/Spark Generator and Gasket
9007430005	100112004	Blower Motor Assembly
9007577005	100112131	Heat Exchanger



## Heater Parts Lists

# Commercial Gas

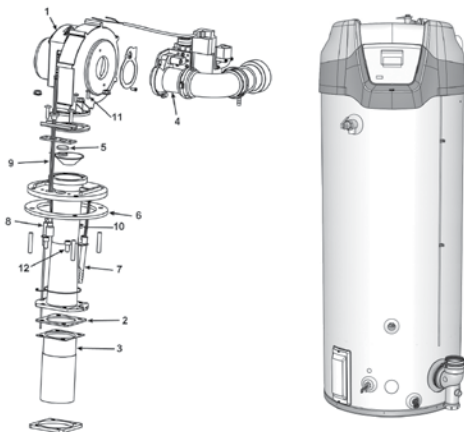
## 60-120 BTH/SUF/HCG

### Standard Replacement Parts 60-120 BTH/SUF/HCG

Part Number	NEW Part Number	Description	Gas Type
9005903205	100110719	T&P Valve	---
9006242015	100111019	Lower Probe	---
9004238215	100109721	Upper Probe	---
9006838005	100111525	Controller	Natural
9006842005	100111529	Controller	Propane
9006842005	100111056	Switch-Prover	---
9006288015	100111064	Switch-Inlet	Natural
9006281015	100111057	Switch-Inlet	Propane
9006287015	100111063	Switch-Blocked Outlet	---

### Gas Valve Assembly - 60-120 BTH/SUF/HCG

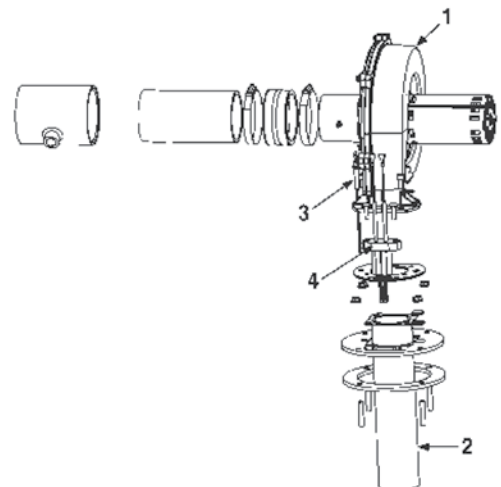
Part Number	NEW Part Number	Description	Gas Type
9004535205	100109922	Gas Valve	Natural
9007182005	100111785	Gas Valve	Propane
9006256015	100111033	Low Gas Switch	Natural
9006255015	100111032	Low Gas Switch	Propane



### Burner/Blower Assembly 60-120 BTH/SUF/HCG

Image	Part Number	NEW Part Number	Description
1	9006272005	100111048	Blower
2	9006275005	100111051	Burner
3	9006106205	100110905	Flame Sensor
4	9006101205	100110899	Igniter

### Burner/Blower Assembly



## Heater Parts Lists

# Commercial Gas

### 100-150 BTH/SUF/HCG

#### Standard Replacement Parts 100-150 BTH/SUF/HCG

Part Number	NEW Part Number	Description	Gas Type
9005903205	100110719	T&P Valve	---
9006242015	100111019	Lower Probe	---
9006240005	100111017	User Interface Module - UIM	---
9006839005	100111526	Controller	Natural
9006843005	100111530	Controller	Propane
9006280015	100111056	Switch-Prover	---
9006288015	100111064	Switch-Inlet	Natural
9006281015	100111057	Switch-Inlet	Propane
9006289015	100111065	Switch-Blocked Outlet	Natural
9006287015	100111063	Switch-Blocked Outlet	Propane
9004238215	100109721	Upper Probe	---



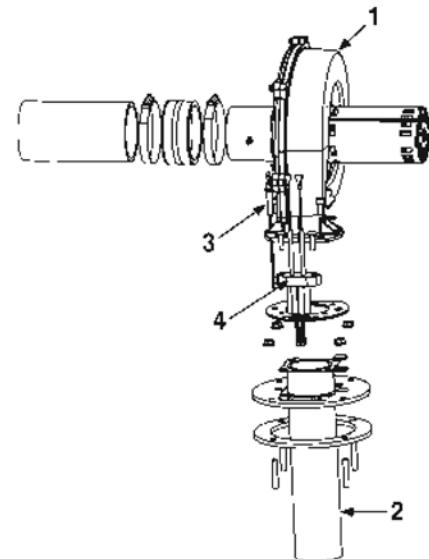
#### Gas Valve Assembly 100-150 BTH/SUF/HCG

Part Number	NEW Part Number	Description	Gas Type
9006283005	100111059	Gas Valve	Natural
9006256015	100111033	Low Gas Switch	Propane
9006255015	100111032	Low Gas Switch	Natural

#### Burner/Blower Assembly 100-150 BTH/SUF/HCG

Image	Part Number	NEW Part Number	Description
1	9006273005	100111049	Blower
2	9006277005	100111053	Burner
3	9006106205	100110905	Flame Sensor
4	9006101205	100110899	Igniter

#### Burner/Blower Assembly





## Heater Parts Lists

# Commercial Gas

### 100-199 BTH/SUF/HCG

#### Standard Replacement Parts 100-199 BTH/SUF/HCG

Part Number	NEW Part Number	Description	Gas Type
9005903205	100110719	T&P Valve	---
9006242015	100111019	Lower Probe	---
9004238215	100109721	Upper Probe	---
9006840005	100111527	Controller	Natural
9006844005	100111531	Controller	Propane
9006280015	100111056	Switch-Prover	---
9006288015	100111064	Switch-Inlet	Natural
9006281015	100111057	Switch-Inlet	Propane
9006289015	100111065	Switch-Blocked Outlet	Natural
9006282015	100111058	Switch-Blocked Outlet	Propane
9006240005	100111017	User Interface Module - UIM	---

#### Standard Replacement Parts 100-199 BTH/SUF/HCG

Part Number	NEW Part Number	Description	Gas Type
9006274005	100111050	Blower	---
9006279005	100111055	Burner	---
9006106205	100110905	Flame Sensor	---
9006101205	100110899	Igniter	---
9006285005	100111061	Gas Valve - Venturi Assembly	Natural
9006286005	100111062	Gas Valve - Venturi Assembly	Propane



## Heater Parts Lists

# Commercial Gas

### 100-250 BTH/SUF/HCG

#### Standard Replacement Parts 100-250 BTH/SUF/HCG

Part Number	NEW Part Number	Description	Gas Type
9005903205	100110719	T&P Valve	---
9006242015	100111019	Lower Probe	---
9004238215	100109721	Upper Probe	---
9006841005	100111528	Controller	Natural
9006845005	100111532	Controller	Propane
9006280015	100111056	Switch-Prover	---
9006281015	100111057	Switch-Inlet	Natural
9006282015	100111058	Switch-Blocked Outlet	Natural
9006240005	100111017	User Interface Module - UIM	---

#### Burner/Blower Assembly 100-250 BTH/SUF/HCG

Part Number	NEW Part Number	Description	Gas Type
9006274005	100111050	Blower	---
9006279005	100111055	Burner	---
9006106205	100110905	Flame Sensor	---
9006101205	100110899	Igniter	---
9006285005	100111061	Gas Valve - Venturi Assembly	Natural
9006286005	100111062	Gas Valve - Venturi Assembly	Propane



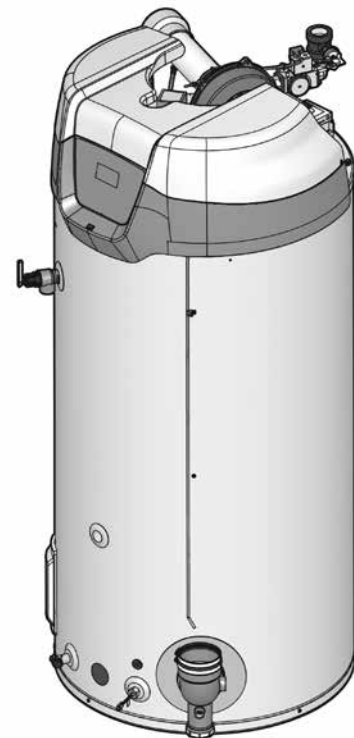
## Heater Parts Lists

# Commercial Gas

## Cyclone Mxi BTH 300/400/500 Heater Parts Lists Series 200/201

### Standard Replacement Parts 300-400-500 Series 200/201 BTH/SUF/HCG

Part Number	NEW Part Number	Description
9004099215	100109686	Cleanout Gasket
9005797205	100110656	Cleanout Cover
9005903205	100110719	T&P Relief Valve
9003906015	100109605	Drain Valve
9006242015	100111019	Lower Temperature Probe
9008901005	100187855	Display Overlay
9008460005	100112746	Display Board (UIM)
9006541015	100111274	Communications Cable (UIM)
9008907015	100187861	CCB Board - Programmed
9008872005	100113155	Power Supply Board
9008874005	100113157	Transformer
9008904015	100187858	Blower Prover Switch
9008996015	100217965	Blocked Intake Switch
9008905015	100187859	Blocked Outlet Switch
9006245005	100111022	Variable Frequency Drive
9008906015	100187860	Upper Temperature/ECO Probe
9008936005	100187890	Powered Anode - Short
9006246005	100111023	Powered Anode - Long
9008875005	100113158	Ignition Transformer
9006256015	100111033	Low Gas Pressure Switch - Nat
9006255015	100111032	Low Gas Pressure Switch - LP
9008922005	100187876	Gas Valve Natural & LP
9008928015	100187882	Flame Sensor Rod
9008927015	100187881	Spark Igniter
9008929005	100187883	Burner
9008931015	100187885	Blower Intake Venturi
9008932005	100187886	Blower Intake Reducer Assembly
9006102215	100110901	View Port - Glass
9006103215	100110902	View Port Gasket
9008923005	100187877	Blower Assembly w/Hall Effect Sensor

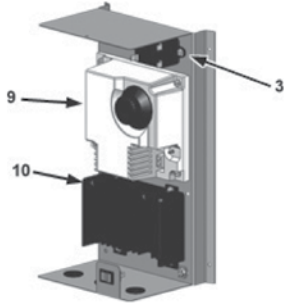


## Heater Parts Lists

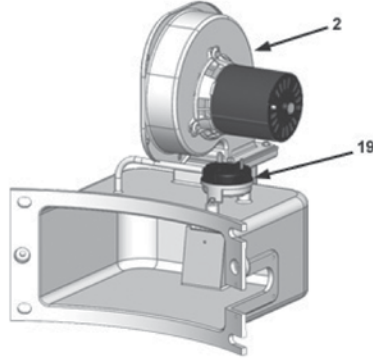
# Commercial Gas

## Ultra Low NOx Series 200

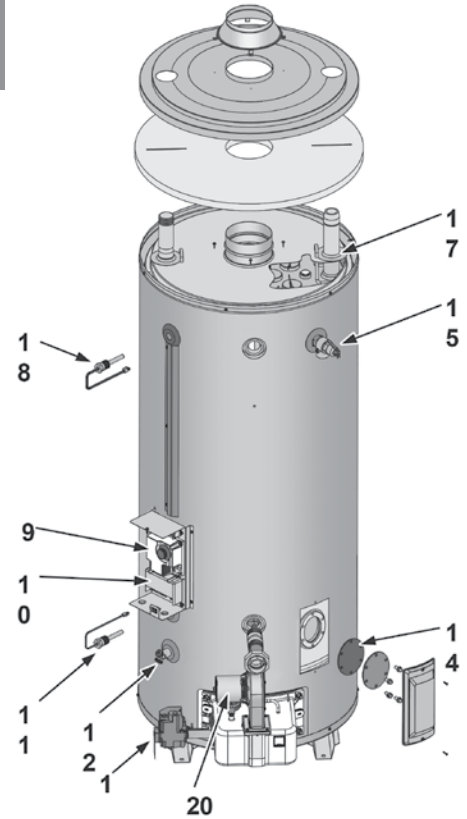
**BTL 120, 154, 180, 198, 199, 250, 275,  
310, 366, 400**



Control Panel



Blower Assembly



### Ultra Low Nox Series 200

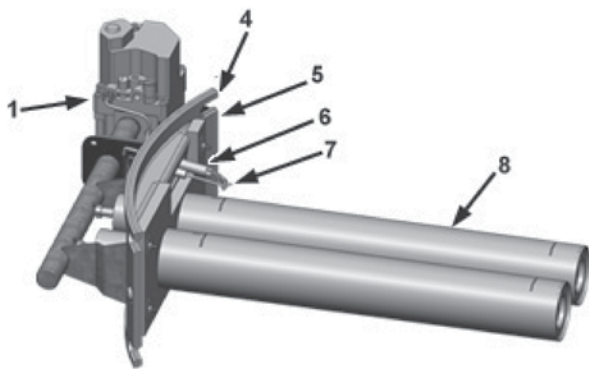
Image	Models	BTL 120, 154, 180, 198 & 199		BTL 250, 275		BTL 310, 366, 400	
	Component	Part Number	NEW Part Number	Part Number	NEW Part Number	Part Number	NEW Part Number
1	Gas Valve	9008884005	100211941	9008885005	100211942	9008885005	100211942
2	Blower	9008886005	100211943	9008887005	100211944	9008887005	100211944
3	Power Relay - Blower	9008888005	100211945	9008888005	100211945	9008888005	100211945
4	Gasket - Burner	9008889015	100211946	9008983005	100211951	9008983005	100211951
5	Gasket - Skirt Ring	9008890015	100211947	9008890015	100211947	9008890015	100211947
6	Insulation Board	9008891005	100211948	9008984005	100211952	9008984005	100211952
7	Ignition Pilot Assembly	9008892005	100211949	9008892005	100211949	9008892005	100211949
8	Burner	9008893005	100211950	9008986005	100211954	9008986005	100211954
9	Thermostat, Digital	9004570205	100109945	9004570205	100109945	9004570205	100109945
10	Ignition Control	9004544205	100109929	9004544205	100109929	9004544205	100109929
11	Lower Temperature Probe	9006160215	100110950	9006160215	100110950	9006160215	100110950
12	Drain Valve	9003907015	100109606	9003907015	100109606	9003907015	100109606
13	The Eliminator	9006051205	100110853	9006051205	100110853	9006051205	100110853
14	Gasket - Cleanout	9004099215	100109686	9004099215	100109686	9004099215	100109686
15	T&P Valve	9005899205	100110714	9005924205	100110739	9005924205	100110739
16	Anode	9000029005	100108260	9000029005	100108260	9000029005	100108260
17	Pipe Nipple Collar	9005783205	100110642	9005783205	100110642	9005783205	100110642
18	Probe/ECO, Upper	9008835015	100113118	9008835015	100113118	9008835015	100113118
19	Blower Prover Switch	9008471015	100112757	9008471015	100112757	9008471015	100112757
20	Gas Supply Switch	—	—	—	—	9003184005	100109131

## Heater Parts Lists

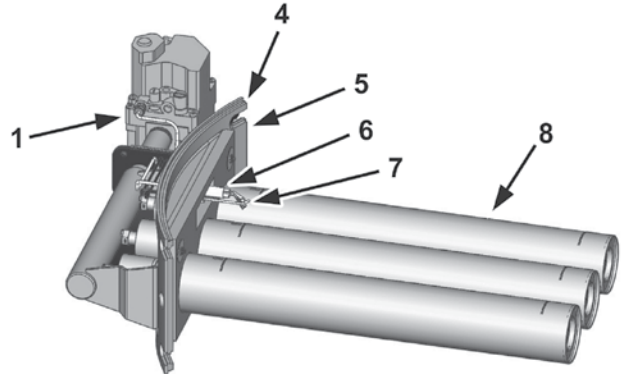
# Commercial Gas

### Ultra Low NOx Series 200

### BTL 120, 154, 180, 198, 199, 250, 275, 310, 366, 400



**2-Burner Assembly**  
(For Input of 199 Kbtu/H or less)



**3-Burner Assembly**  
(For Input of 250 Kbtu/H or higher)

### Ultra Low Nox Series 200

Image	Models	BTL 120, 154, 180, 198 & 199		BTL 250, 275		BTL 310, 366, 400	
		Part Number	NEW Part Number	Part Number	NEW Part Number	Part Number	NEW Part Number
1	Gas Valve	9008884005	100211941	9008885005	100211942	9008885005	100211942
4	Gasket - Burner	9008889015	100211946	9008983005	100211951	9008983005	100211951
5	Gasket - Skirt Ring	9008890015	100211947	9008890015	100211947	9008890015	100211947
6	Insulation Board	9008891005	100211948	9008984005	100211952	9008984005	100211952
7	Ignition Pilot Assembly	9008892005	100211949	9008892005	100211949	9008892005	100211949
8	Burner	9008893005	100211950	9008986005	100211954	9008986005	100211954

### To Order A Complete Burner System

Component	Part Number	NEW Part Number
BTL 120 Complete Burner System	9009003005	100191095
BTL 154 Complete Burner System	9009004005	100191096
BTL 180 Complete Burner System	9009005005	100191097
BTL 198 & 199 Complete Burner System	9009006005	100191098
BTL 250 Complete Burner System	9009007005	100191099
BTL 275 Complete Burner System	9009008005	100191100
BTL 310 Complete Burner System	9009009005	100191101
BTL 366 Complete Burner System	9009010005	100191102
BTL 400 Complete Burner System	9009011005	100191103



500 TENNESSEE WALTZ PARKWAY  
ASHLAND CITY, TENNESSEE 37015

FOR MORE INFORMATION:

**Call: 800-821-2017**

**Fax: 800-644-9306**

**[www.WaterHeaterParts.com](http://www.WaterHeaterParts.com)**