

► **Code Number**

3324037

► **Description**

Sensor Metering Handwashing Faucet, battery powered, double-infrared sensor activated for pre-tempered or hot and cold water operation.

► **Flow Rate Options (Digit 6)**

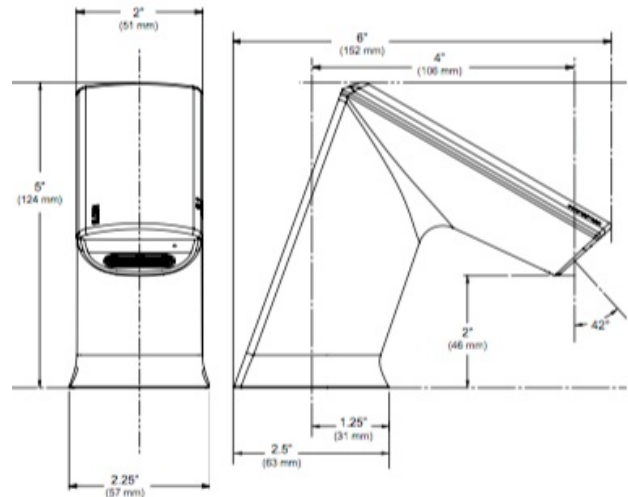
- 1.5 gpm Laminar, Single Hole install, Polished Chrome.

► **Faucet Specifications**

- One tool service
- All wetted components to be stainless steel, engineered thermoplastic, EPDM, and copper or copper alloy
- Solenoid housed in removable carrier that includes supply strainer, serviceable from above deck
- Mechanical mixing, integral to spout, optional
- Vandal resistant spray insert, key housed inside faucet body
- All electronics sealed to IP-67
- Gold plated electrical contacts
- Above deck individual diagnostic indicators for battery life, solenoid condition, and power up mode
- Flexible, high pressure supply hoses, 3/8" compression connections
- Bi-stable magnetic solenoid
- Double infrared sensors with automatic setting feature
- Single hole installation
- Includes all mounting hardware
- Selectable Sloan programmable line purge mode eliminates stagnant water
- 4" trim plate
- Operates from 1 to 125 psi
- Adjustable run time from 0-3600 seconds (Factory set at 10 second maximum run time upon continuous detection)
- Battery powered, sensor-activated, electronic, chrome plated die cast body, handwashing faucet with the following features:
- Faucet can be configured to add solar or solar and LCD display
- Four (4) "AA" alkaline batteries

► **CALGreen**

This BASYS faucet with a 10-second cycle uses 0.083 gallons of water at 0.5 gallons per minute (exceeds minimum CALGreen requirements) or 0.25 gallons of water at 1.5 gallons per minute, depending upon desired flow rate. Additionally, this BASYS faucet is Sloan reprogrammable to use 0.175 gallons of water at 1.5 gallons per minute with a 7-second cycle (exceeds minimum CALGreen requirements).



► **BASYS Spec Language**

Sloan BASYS model no. EFX-350.____.____ double infrared sensor-activated electronic handwashing faucet with line purge mode for pre-tempered or hot/cold water supplies. Product to have double infrared sensors with automatic setting feature. Solenoid valve housed in removable carrier that closes water supply upon removal eliminating need to access control stops. Solenoid carrier includes strainer for easy above-deck service. Optional thermostatic mixer complies with ASSE 1070 requirements.

► **Legislative Compliance**

Federal Reduction of Lead in Drinking Water Act Law 111-380 (contains no more than 0.25% weighted average lead content), Section 116875 of the California Health & Safety Code, and Vermont Lead Reduction Law (Vermont Act 193).

► **Compliance & Certifications**



UPC, IPC, NPC Canada, California Green Building Code (CALGreen), City of Los Angeles Water Efficiency Ordinance IAPMO/cUPC, Commonwealth of Massachusetts ASME A112.18.1/CSA B125.1, NSF 372, ANSI/UL 1951, ICC/ANSI 117.1

This space for Architect/Engineer Approval

► Base Plate Options (Digit 8)

- Base plate for 4" centerset sink
- Base plate for 8" centerset sink

► Special Finish Options* (ordered separately)

- Physical Vapor Deposition brushed stainless (Brushed Chrome)
- Physical Vapor Deposition Brushed Nickel
- Physical Vapor Deposition Polished Brass
- * Minimum order quantities and long lead times may apply. Please contact Customer Service for details.

► Electrical Specifications

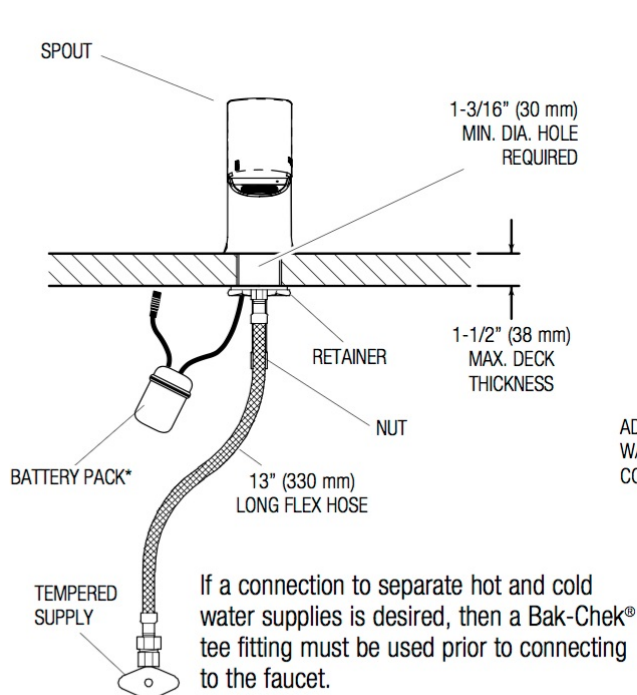
- Control Circuit – 6.75 VDC
- Sensor Range – Nominal: 4" - 5" (102-127 mm) Faucet Adaptive Self-Adjustment Range: 2" - 14" (51-356 mm) nominal
- Battery Life – 3-years under worst case conditions of 8,000 cycles per month and high water pressure
- Power Supplies – 6 VDC Alkaline Battery Pack

► Mixer Type Options (Digit 4)

- ISM – Integral side mixer

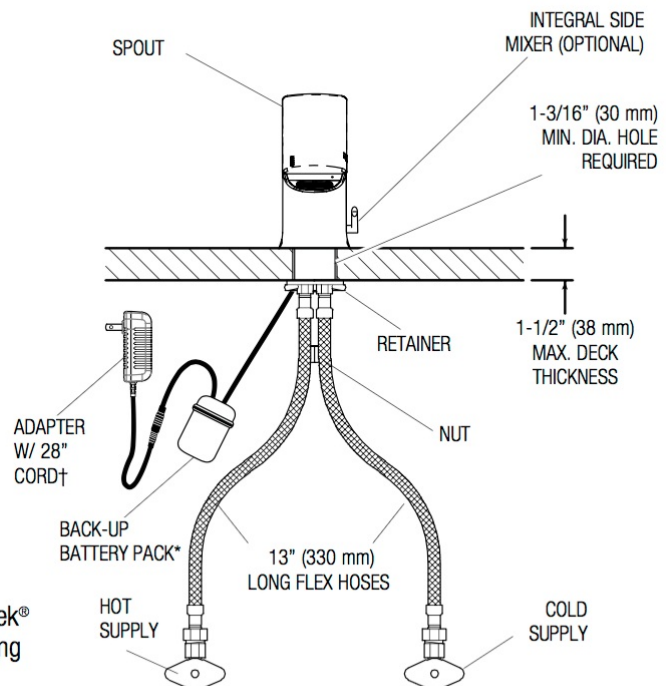
► ROUGH-IN

EFX-350.X0X.000X Faucet with Single Line Water Supply



* One (1) Faucet Per Battery Pack

EFX-300.X0X.001X Faucet with Hot/Cold Water Supply



† Up to Six (6) Faucets on One (1) Voltage Adapter