

► **Code Number**

10021001

► **Description**

Complete HEU system with exposed manual Royal® urinal Flushometer and vitreous china urinal fixture.

► **Flush Cycle**

Model WEUS 1002.1001-0.25 (0.25 gpf/1.0 Lpf)

► **SPECIFICATIONS**

Specifications

Quiet, exposed, diaphragm type, chrome plated urinal Flushometer and vitreous china urinal with the following features:

Fixture Specifications

Compliant with Buy American Act when purchased as a combination

100 % factory flush tested

Washdown flushing action

All mounting hardware included

Carrier not included

Vandal resistant strainer assembly included

Compliant to the applicable sections of ASME A112.19.2/CSA B45.1

Wall hung vitreous china with Integral flushing rim

¾" I.P.S. top spud inlet

2" NPT outlet flange

Flushometer Specification

Non-Hold-Open Operation

Flex Tube Dual Filtered Bypass Diaphragm designed for improved life and reduced maintenance

ADA compliant Solis solar powered infrared sensor for automatic "Hands-free" operation

Infrared Sensor with Multiple-focused, Lobular Sensing Fields for high and low target detection

Non-Hold-Open Handle, Fixed Metering Bypass and no external volume adjustment to ensure water conservation

Flush accuracy controlled by CID® technology

Diaphragm, Stop Seat and Vacuum Breaker molded from PERMEX® rubber compound for chloramine resistance

Free spinning Vandal Resistant Stop Cap and Adjustable Tailpiece

Sweat Solder Adapter w/Cover Tube and Cast Wall Flange with Set Screw

¾" I.P.S. Screwdriver Bak-Chek® Angle Stop

Spud Coupling and flange for ¾" Top Spud

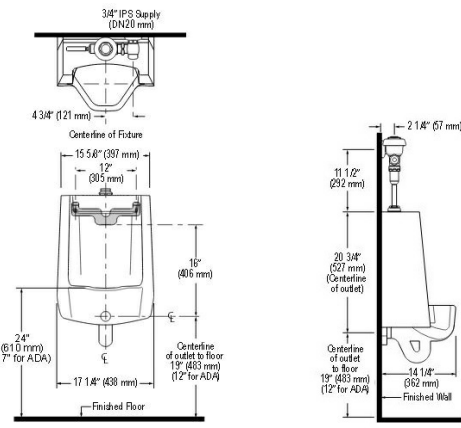
Valve Body, Cover, Tailpiece and Control Stop shall be in conformance with ASTM Alloy Classification for Semi-Red Brass. Valve shall be in compliance to the applicable sections of ASSE 1037/ ASME A112.19.2/CSA B45.1

PERMEX® Synthetic Rubber Diaphragm with Dual Bypass

► **NOTE**

Plumbing System Requirements

Minimum Flowing Pressure: 25 PSI / Minimum Flow Rate: 18 GPM / Maximum Fixture Static Pressure: 80 PSI



► **Compliance & Certifications**



ASME A112.1.3

► **Disclaimer**

NOTE: All vitreous china dimensions shown in these drawings are nominal and not to scale. Dimensions can vary within the tolerances established in the governing ASME A112.19.2/CSA B45.1 standard. It is important to consider this when planning rough-in and plumbing layouts.

All information contained within this document subject to change without notice.

