

# ProCheck™

Backwater Valve



## Versatile

Valves can be adapted for standard, shallow-depth or deep-bury installations.

## Simple

Modular valve design allows for interchangeable accessories. Less shelf space, fewer parts/pieces, always the right size.

## Durable

Designed and made in the USA. Structurally rugged and molded from engineered resins to stand up to job site abuse.

## Dependable

The unique flapper creates a positive seal, even at lower backpressures, when other types of flappers can leak.



# Features & Benefits

## Versatile

We designed our ProCheck™ valves to be installed in either shallow or deep-bury installations. All that is needed to convert a standard valve to deep-bury is a single adapter kit. This means that a contractor can buy and stock one type of valve and be confident of having the right part for either application.

## Simple

The modular design of the 3" and 4" valves makes for many interchangeable accessories. The valve lid, access sleeve, sleeve collar, sleeve lid and deep-bury adapter kit will all fit both 3" and 4" valves. The contractor can buy and carry fewer items while still having all the necessary accessories.

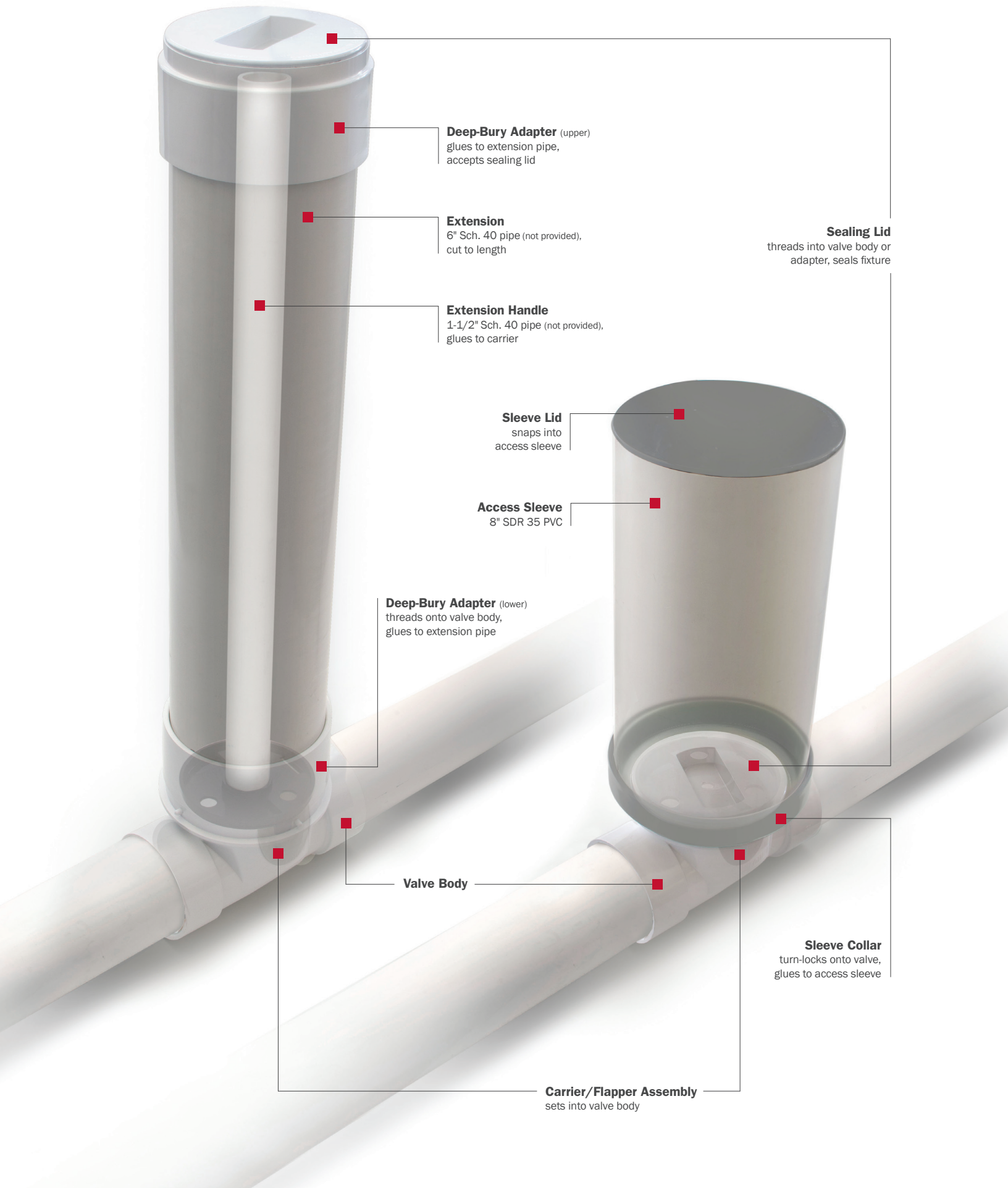
## Durable

We have engineered ProCheck backwater valves for quality in every detail. They are designed to take the abuse of a typical ground-rough job site. We use specially formulated, engineered resins to mold the valves in our on-site injection presses, right here in the USA.

## Dependable

The ProCheck backwater valve has been designed with care and precision. For example, the integrally molded sealing surface on the face of the flapper seals watertight, even at lower backpressures. In contrast, the typical O-ring type flappers can leak, leaving property vulnerable to sewer backup. As backpressure increases, the ProCheck flapper seal only becomes tighter.





**Deep-Bury Adapter** (upper)  
glues to extension pipe,  
accepts sealing lid

**Extension**  
6" Sch. 40 pipe (not provided),  
cut to length

**Extension Handle**  
1-1/2" Sch. 40 pipe (not provided),  
glues to carrier

**Sealing Lid**  
threads into valve body or  
adapter, seals fixture

**Sleeve Lid**  
snaps into  
access sleeve

**Access Sleeve**  
8" SDR 35 PVC

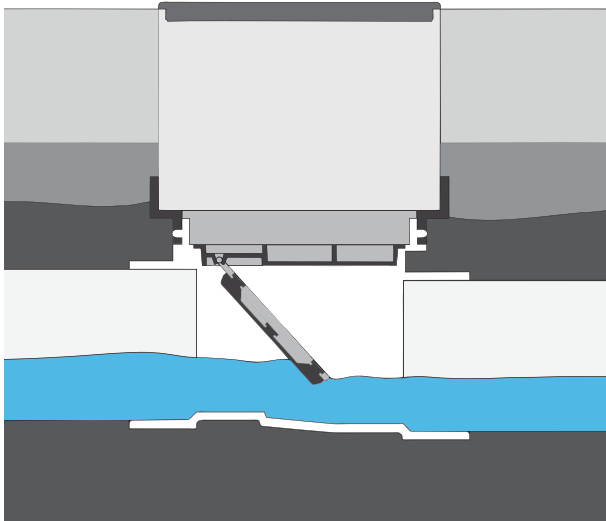
**Deep-Bury Adapter** (lower)  
threads onto valve body,  
glues to extension pipe

**Valve Body**

**Sleeve Collar**  
turn-locks onto valve,  
glues to access sleeve

**Carrier/Flapper Assembly**  
sets into valve body

# Shallow Installations



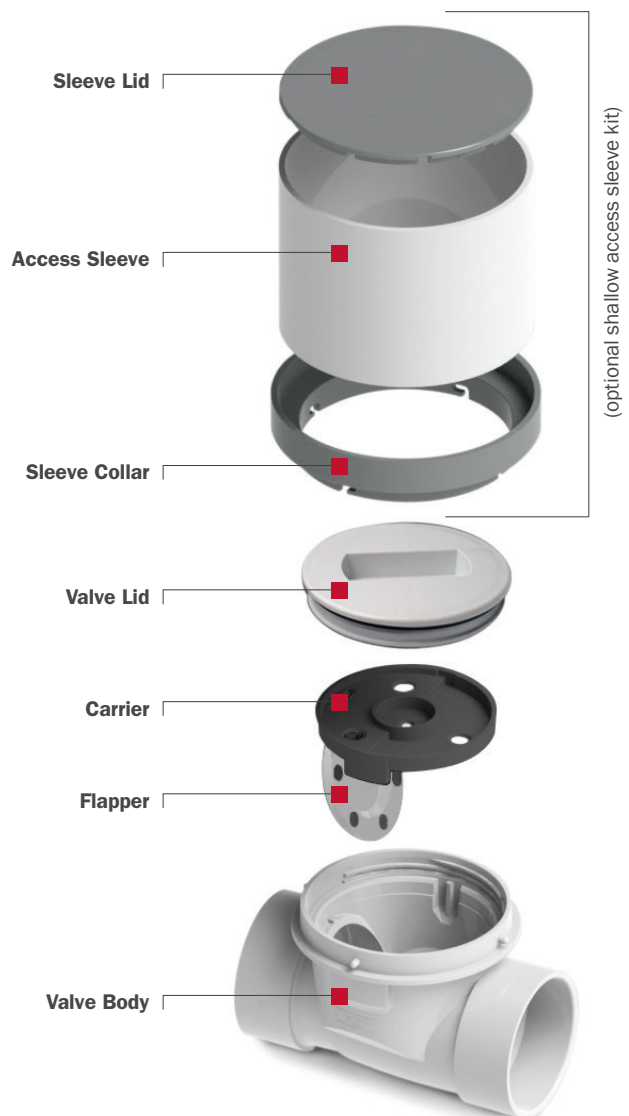
When installing the ProCheck backwater valve, we recommend the following steps:

**1.** During the ground-rough phase, solvent-weld the valve to the 3" or 4" Sch. 40 drain line on the downstream side of the fixture(s) to be protected. To protect the sealing surfaces, the flapper/carrier should be removed during construction. Next thread the valve lid (with O-ring seal) onto the valve body, sealing the system.

**2.** The shallow access sleeve kit is often installed to provide access to the valve after installation. Before the floor slab is poured, solvent-weld the access sleeve (8" SDR 35 PVC) to the sleeve collar, and turn-lock the sleeve collar to the valve body. The slab will be poured over the DWV system and around the access sleeve. After the slab hardens, cut the sleeve to the intended height, flush with the floor, and snap on the sleeve lid.

**3.** Install flapper/carrier before final inspection. To access the flapper after installation, remove the sleeve lid and unscrew the threaded valve lid. The flapper/carrier can then be removed. Regularly inspect the flapper and sealing surfaces on the valve for debris, buildup or any damage that would prevent the flapper from sealing properly. If damaged, replace the flapper or carrier. After inspection or maintenance, replace any defective parts to ensure proper function (flapper swings freely, gasket-side faces upstream, etc).

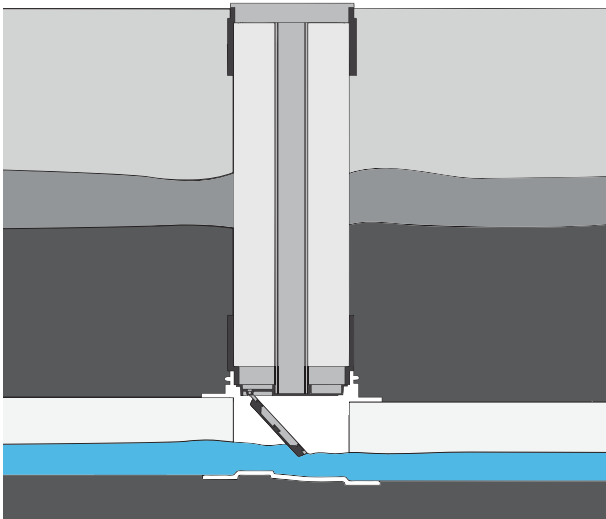
By "shallow" we mean those installations where the valve is located on the horizontal sewer line, no more than 18" or so below the surface. The valve is typically located within the footprint of the building itself, usually in the basement or garage area. Since the flapper must be accessible after installation, it needs to be positioned within arm's reach. The valve itself is sealed with a threaded lid and the optional sleeve is used to provide access to the lid and flapper after installation.



**Note:** E. Coli and other harmful bacteria are present in sewer lines. Wear gloves and safety glasses and be sure to take necessary sanitary precaution when inspecting an installed backwater valve.



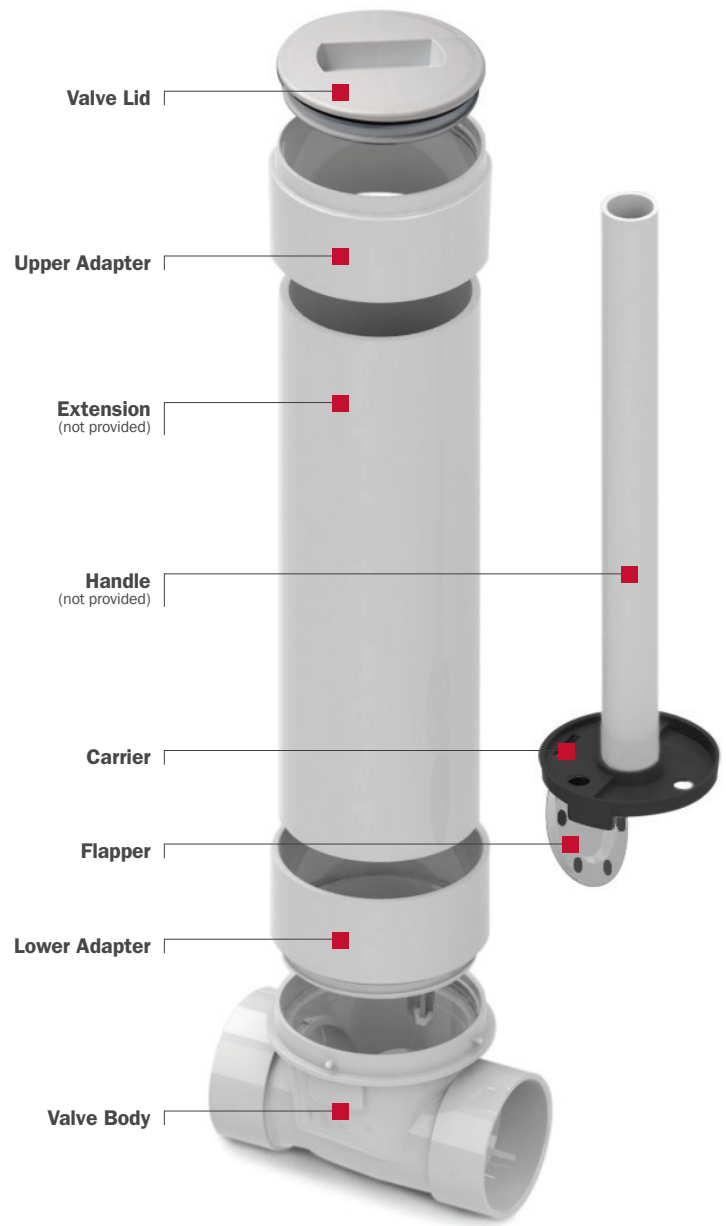
# Deep-Bury Installations



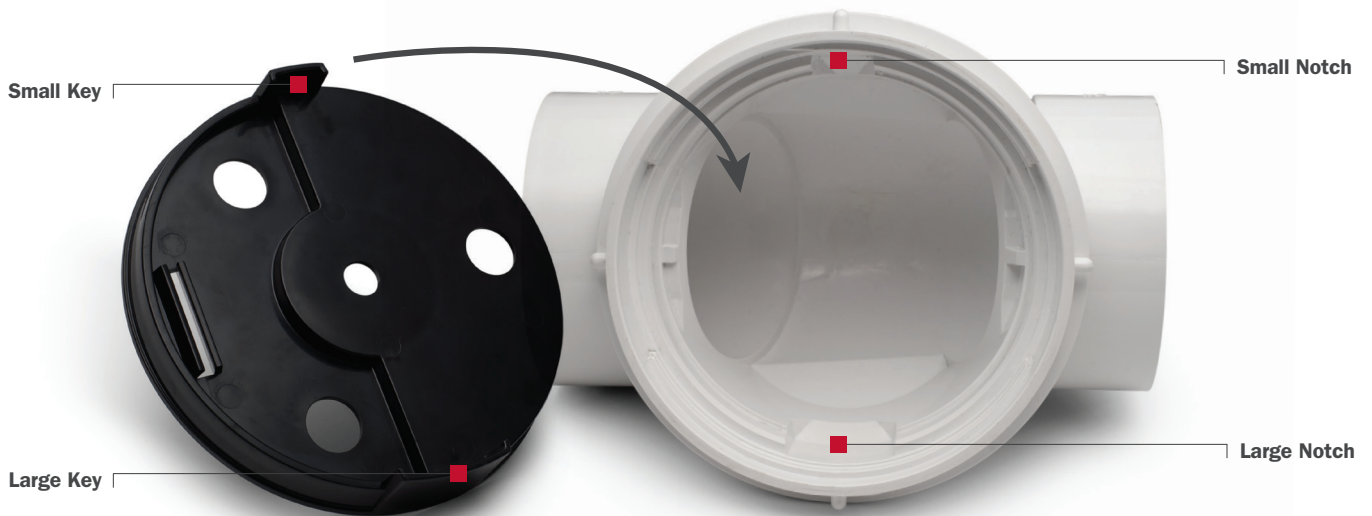
When installing the ProCheck backwater valve, we recommend the following steps:

- 1.** During the ground-rough phase, solvent-weld the valve to the 3" or 4" Sch. 40 drain line on the downstream side of the fixture(s) to be protected. To protect the sealing surfaces, the flapper/carrier should be removed during construction.
- 2.** After the valve is connected to the drainage line, measure a piece of 6" Sch. 40 pipe to bring the point of access to ground level. Then solvent-weld the pipe between the upper and lower deep-bury adapters. This extension assembly threads into the valve. Solvent-weld a piece of 1-1/2" Sch. 40 pipe (cut 1-5/8" longer than the 6" sleeve) into the socket on the top of the flapper/carrier. The flapper/carrier with extension handle lowers through the 6" sleeve and into the valve. Install the threaded valve lid (included with the valve) into the upper deep-bury adapter, sealing the system.
- 3.** To access the flapper after installation, remove the threaded lid. Using the extension handle, carefully pull the flapper and carrier through the sleeve. Regularly inspect the flapper for debris, buildup or any damage that would prevent the flapper from sealing properly. If damaged, replace the flapper or carrier. After inspection or maintenance, replace the flapper/carrier and tighten the threaded lid.

By "deep-bury" we mean those installations where the valve is too deep to be reached by hand. Deep-bury installations are often located outside the building footprint. At Sioux Chief, we have designed the ProCheck backwater valve to allow for simple conversion to "deep-bury" installation.



# Additional Features



## Positive Alignment

At Sioux Chief we have marked ProCheck's carrier with flow-direction symbols and designed it with two different-sized keys. The keys will only fit into the valve body when correctly aligned. In deep-bury situations, this helps prevent improper installation of the flapper.



## Easy Access

We have designed the valve lid's tool notch to accept a standard 2 x 4. This makes it easier to remove after installation. Made from HDPE, the valve lid is impact resistant — even at low temperatures — and impervious to most solvents and glues.



## Permanent Seal

The unique flapper design uses overmolding to produce a much larger sealing surface than a typical O-ring. In addition, the permanently attached flapper seal will not become dislodged and fail after installation.

# Sioux Chief

»» Manufacturing Since 1957

More than 50 years ago, Sioux Chief started manufacturing rough plumbing products. Today, we still do — right in the heart of America. Many of you knew us when we started out. Some of you came to know us as we grew. Along the way, we made a name for ourselves with quality products, innovative ideas and dependable service. Since our start, Sioux Chief has changed a great deal. However, we are also very much the same. We make high quality rough plumbing products and systems that help plumbing contractors grow their businesses. We innovate. We manufacture in America. And we could not do it without you.

Thank you for your business. We promise to continue to work hard to support you. Together, we will take the field.





869-S3P



869-S3AS



869-S3PS



869-S4P



869-S4A



869-S4PDB

**» Buying Information**

ITEM NO.	DESCRIPTION	U/M	PKG.	MIN. QTY.	CASE QTY.
<b>EXTENDABLE SHALLOW-OR-DEEP BACKWATER VALVES</b>					
869-S3A	3" ABS Backwater Valve	EA	B*	4	4
869-S3APK	3" ABS Backwater Valve	EA	C*	2	2
869-S3AS	3" ABS Backwater Valve W/ 16" Shallow Access Sleeve Kit	EA	B*	1	1
869-S3P	3" PVC Backwater Valve	EA	B*	4	4
869-S3PPK	3" PVC Backwater Valve	EA	C*	2	2
869-S3PS	3" PVC Backwater Valve W/ 16" Shallow Access Sleeve Kit	EA	B*	1	1
869-S4A	4" ABS Backwater Valve	EA	B*	4	4
869-S4APK	4" ABS Backwater Valve	EA	C*	2	2
869-S4AS	4" ABS Backwater Valve W/ 16" Shallow Access Sleeve Kit	EA	B*	1	1
869-S4P	4" PVC Backwater Valve	EA	B*	4	4
869-S4PPK	4" PVC Backwater Valve	EA	C*	2	2
869-S4PS	4" PVC Backwater Valve W/ 16" Shallow Access Sleeve Kit	EA	B*	1	1
869-SF3	Flapper & Carrier For 3" Backwater Valve	EA	B*	10	10
869-SF4	Flapper & Carrier For 4" Backwater Valve	EA	B*	10	10
869-SSL	Turn-Lock Collar & Lid for 16" Shallow Access Sleeve	EA	B*	4	4
869-SSK	Shallow Access Sleeve Kit – Collar/Sleeve/Lid	EA	B*	1	1
869-SVLB	Threaded Lid For Backwater Valve, Black W/ O-Ring	EA	B*	10	10
869-SVLW	Threaded Lid For Backwater Valve, White W/ O-Ring	EA	B*	10	10
869-S4ADB	Upper & Lower Deep-Bury Adapters – ABS (for use with 3" or 4" backwater valves purchased separately)	EA	B*	1	1
869-S4PDB	Upper & Lower Deep-Bury Adapters – PVC (for use with 3" or 4" backwater valves purchased separately)	EA	B*	1	1
<b>STANDARD SHALLOW BACKWATER VALVES</b>					
869-2A	2" ABS Backwater Valve	EA	B	1	8
869-2P	2" PVC Backwater Valve	EA	B	1	8
869-23	Access Sleeve Kit For 2" Valve – Collar/Sleeve/Lid	EA	B	1	1
869-6A	6" ABS Backwater Valve	EA	B	1	1
869-6P	6" PVC Backwater Valve	EA	B	1	1
869-6A1	Threaded Lid For 6" Valve, Black W/ O-Ring	EA	B	1	2
869-6P1	Threaded Lid For 6" Valve, White W/ O-Ring	EA	B	1	2
869-60	O-Ring For 6" Threaded Lid	EA	B	1	10
869-61	Flapper & O-Ring For 6" Valve	EA	B	1	10
869-63	Access Sleeve Lid For 6" Valve	EA	B	1	15

**PACKAGING:**

B = Bulk

C = Cut Case

\* Individually Bar-Coded

24110 South Peculiar Drive  
Peculiar, Missouri 64078  
P 1.800.821.3944  
F 1.800.758.5950

**DISTRIBUTED BY**