

ICE MAKER OUTLET BOX

» 696 SERIES

OxBox™

ITEM # SUBMITTED	_____
JOB NAME	_____
LOCATION	_____
ENGINEER	_____
CONTRACTOR	_____
PO#	_____ TAG _____

SPECIFICATION

Sioux Chief 696 series ice maker supply OxBox™ shall be used in residential or commercial plumbing supply systems. Unit shall accommodate supply line from above or below and shall be designed to secure directly to vertical stud or between studs using galvanized bracket (provided). Supply box options shall include a 1/4-turn lead-free ball valve with or without water hammer arrester. Valve shall accommodate all common industry inlet connections. Outlet connection shall be 1/4". Every unit shall include frame and a debris cover for protection during rough-in.

INSTALLATION

Use mounting tabs with holes located on each side of box to install directly to stud. For installations between studs, insert galvanized bracket through molded channel on box. Secure bracket to structure and box with screws (not provided).

MATERIALS

- Outlet box:** ABS
- Frame:** fire-rated ABS
- Valve body:** chrome-plated forged brass
- Arrester clip/valve platform:** ABS
- Arrester body:** stainless steel
- Piston:** glass-filled polypropylene with two EPDM o-rings
- Bracket:** galvanized steel, 18-ga.
- Supply line:** 1/4" x 1/4" x 72" braided stainless steel hose

CERTIFICATIONS/APPROVALS

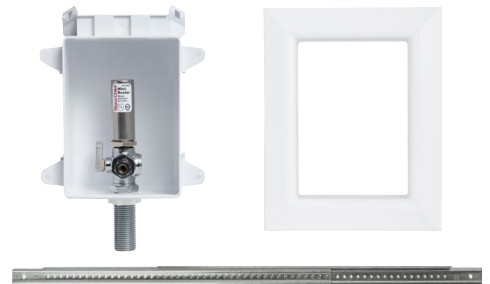
NSF-372 compliant, IAPMO listed
Valves meet ASME A112.18.1

VALVE/ARRESTER WORKING LIMITS

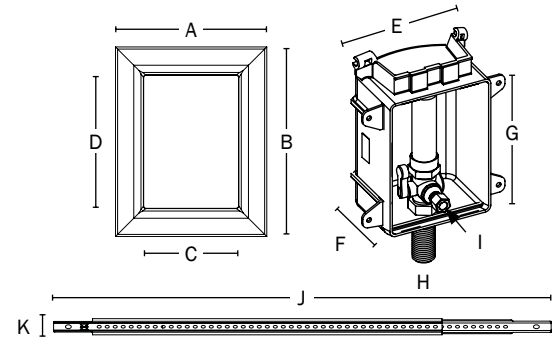
- Max working temperature:** : 250°F
- Max testing air pressure:** 100 PSIG
- Max working/testing water pressure:** 250 PSIG

DIMENSIONS

A: Frame width	5 3/4"	E: Rough-in box width	4"	I: Outlet connection	1/4" compression
B: Frame height	7 1/4"	F: Rough-in box depth	3 1/2"	J: Bracket length	18"
C: Frame opening width	3 5/8"	G: Rough-in box height	5 1/2"	K: Bracket width	5/8"
D: Frame opening height	5 1/8"	H: Supply connection	1/2" nominal		



696-G1010MF



Create Item Number

696-G10A0BCD

e.g. 696-G1010MF: ice maker supply box with no lead FSWT valve with arrester and frame

ARRESTER A

- 0** = no arrester
- 1** = with arrester

SUPPLY CONNECTION B

- A** = 1/2" PEX Lock™ F2080
- C** = 1/2" male CPVC
- M** = 1/2" female sweat
- V** = 1/2" Viega® PureFlow® PEX
- W** = 1/2" PEX Grip™ F1960
- X** = 1/2" PEX Crimp™ F1807

FRAME PACKAGING C

- F** = standard pack (supply box, frame, bracket, debris cover)
- R** = rough-in pack (supply box, bracket, debris cover)

Available separately:
Frame only: 696-1F

HOSE OPTION D

- _** = (blank) without hose
- S** = with 6-ft. braided supply line