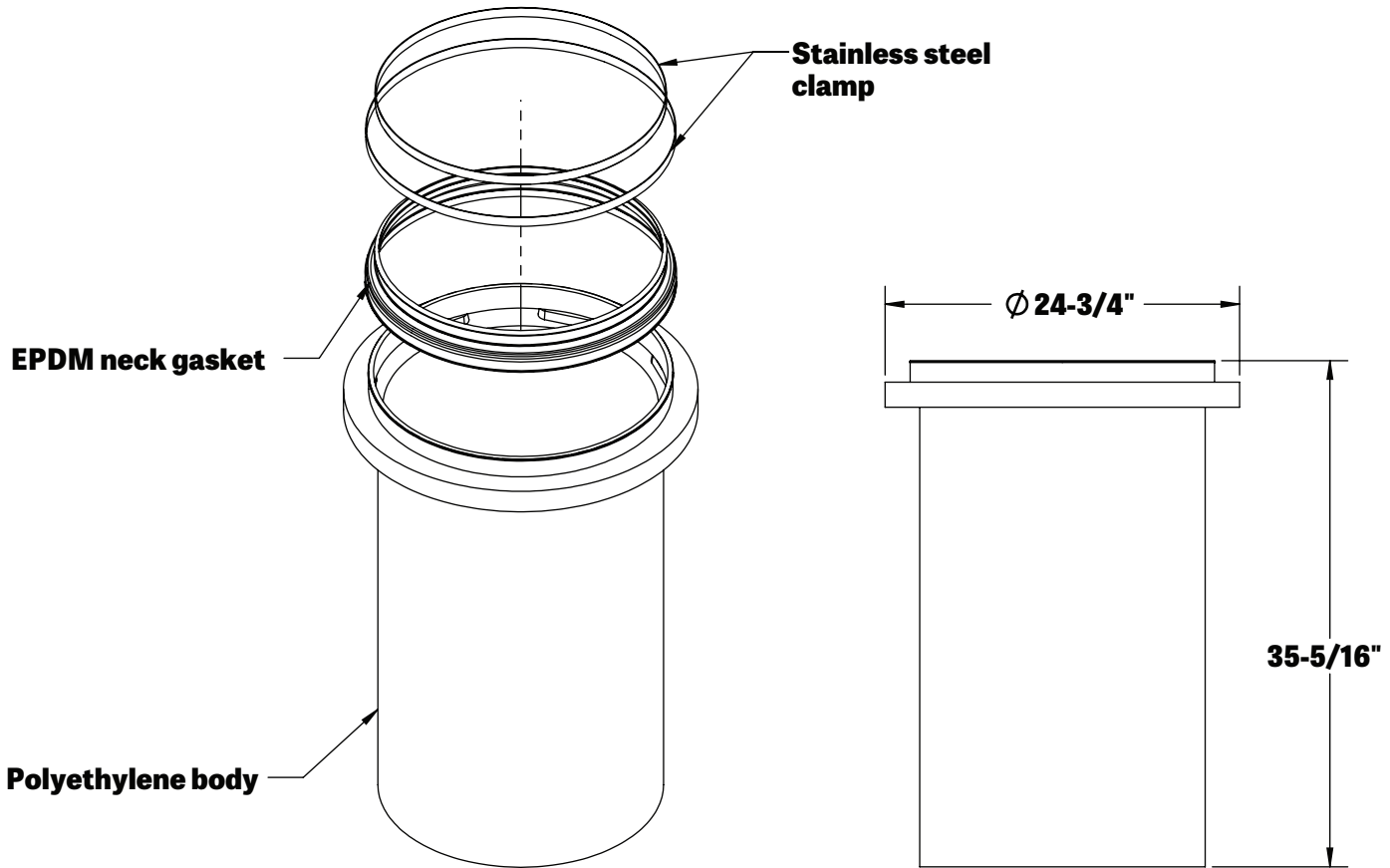


# LR24

## 24" Long Riser Extension System Technical Data

Specifications



## SPECIFICATIONS

### NOTES:

1. Molded polyethylene body
2. EPDM neck gasket
3. Stainless steel clamps

### ENGINEER SPECIFICATION GUIDE:

TeleGlide field adjustable riser system to consist of rotationally molded polyethylene body, EPDM gasket and stainless steel clamps. Riser shall allow onsite adjustability of cover to grade.



**SCHIER**  
LIFETIME GUARANTEED  
GREASE INTERCEPTORS

MODEL NUMBER:  
**LR24**

DESCRIPTION: 24" Long Riser Extension System

PART #: 8010-003-01

DWG BY: C. O'Boyle

DATE: 12/21/2015

REV: 0   /  /  20  

ECO: