



MODEL PRF-100 AND PRF-150

Radon Mitigation Fan



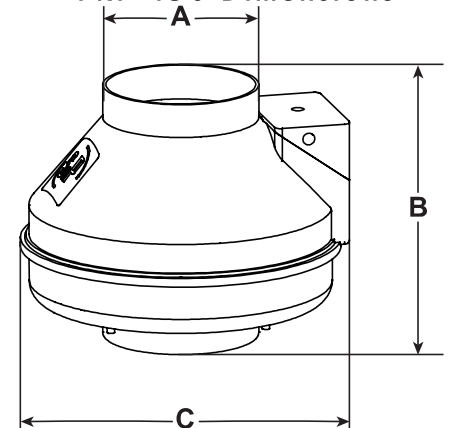
SPECIFICATIONS

- Duct connections sized for easy fit with standard PVC couplings typically used in radon mitigation applications
- Totally enclosed air over
- Fully sealed, high quality plastic housing
- Large, easily accessible, watertight electrical box for unobstructed wiring process
- Easily mount on duct pipe or a heavy-duty metal mounting bracket can be used (sold separately)
- Significantly less expensive than comparable alternatives
- Thermal overload protection
- HVI Certified Performance
- cETLus certified
- 5-year warranty

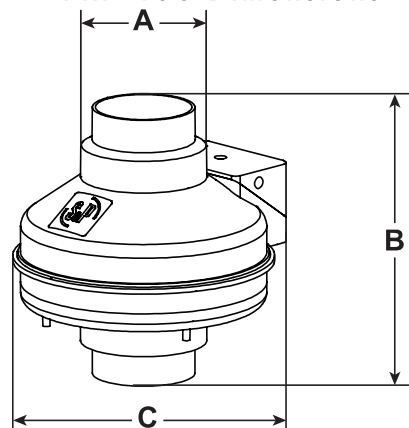
DIMENSIONS

Size	A	B	C	Average Ship Wt. Lbs.
100	4" or "5	10-9/16"	10-3/4"	6.6
150	6"	9-1/2"	12"	8.2

PRF-150 Dimensions



PRF-100 Dimensions



PERFORMANCE

Model	Size	Electrical	Power (W)	Current (A)	RPM	Airflow (CFM) @ Static Pressure (in wc)					
						0.00	0.20	0.40	0.60	0.80	1.00
PRF-100	4"	1/60/120V	92	0.77	3080	169	150	133	117	99	82
PRF-150	6"	1/60/120V	136	1.15	2890	321	290	263	238	217	193

Subject to change unless approved in submittal by S&P
PRF-Submittal_v.4_0519

