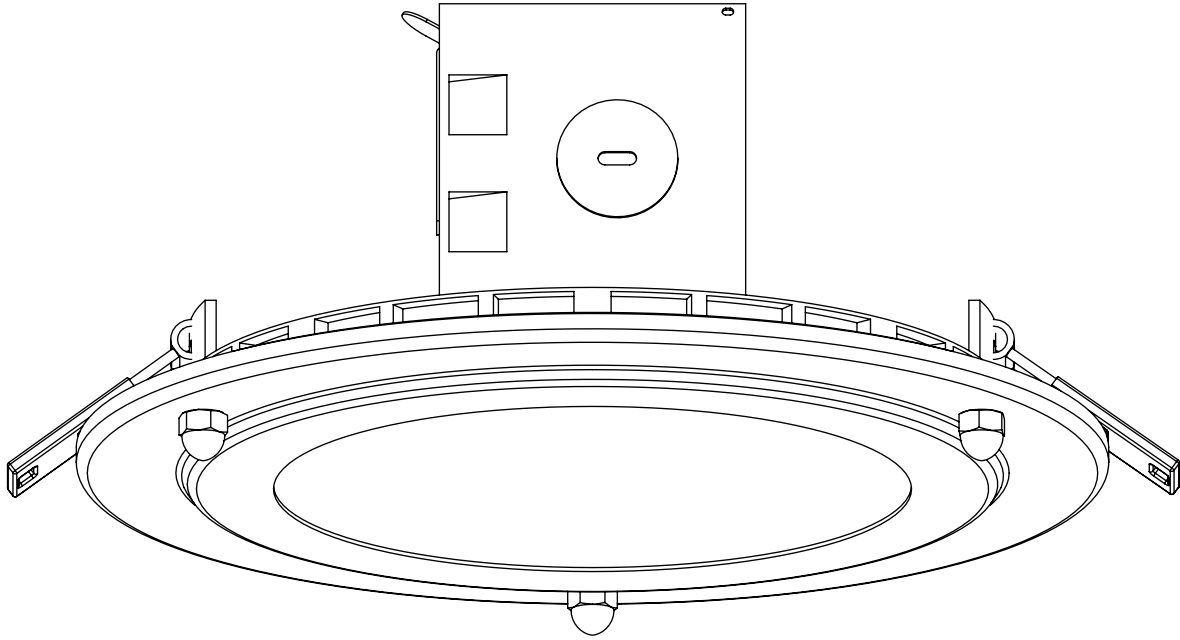


# SL-xx Shower Light



## Installation Manual

For Tutorials and Troubleshooting visit [www.thermasol.com/solutions](http://www.thermasol.com/solutions)

SL-XX

**THERMASOL**<sup>®</sup>

OVER 60 YEARS OF STEAM SHOWER INNOVATION

# 1 Important Information Before You Install

PLEASE REVIEW WARNINGS BELOW AND LEAVE THIS MANUAL WITH HOMEOWNER

DO NOT USE THIS PRODUCT UNLESS YOU HAVE CONSULTED WITH YOUR DOCTOR AND RECEIVED WRITTEN PERMISSION TO DO SO. USE OF THIS PRODUCT MAY BE HAZARDOUS TO YOUR HEALTH.

PLEASE CONSULT YOUR PHYSICIAN BEFORE USING. IF YOU ARE PREGNANT, ELDERLY, HAVE HIGH BLOOD PRESSURE, DIABETES, SUFFERING FROM HEART DISEASE, ARE INTOXICATED, OR NOT IN GOOD HEALTH, DO NOT USE THIS STEAM BATH.

STEAM IS HOT! DO NOT TOUCH OR GO NEAR THE STEAMHEAD FROM THE TIME THE UNIT IS "ON," UP TO ONE HOUR AFTER IT HAS SHUT OFF. SEVERE BURNS WILL OCCUR IF YOU COME IN CONTACT WITH THE STEAMHEAD OR STEAM EMITTING FROM THE STEAMHEAD.

NEVER ATTEMPT TO FILL AROMA RESERVOIR ON THE STEAMHEAD WHEN UNIT IS IN THE "ON" POSITION. SEVERE BURNS WILL OCCUR.

DO NOT USE THERMASOL AROMATHERAPY OILS, SKIN CARE PRODUCTS OR ANY PRODUCT ASSOCIATED WITH YOUR THERMASOL UNIT WITHOUT CONSULTING WITH YOUR ALLERGIST OR DOCTOR BEFORE USE. THESE PRODUCTS MAY BE HAZARDOUS TO YOUR HEALTH.

DO NOT USE STEAM ROOM WHILE UNDER THE INFLUENCE OF ALCOHOL OR DRUGS, AS THIS CAN BE HAZARDOUS TO YOUR HEALTH.

YOUR SHOWER MAY BE A SLIP-AND-FALL HAZARD. CHECK WITH YOUR CONTRACTOR OR FLOORING MANUFACTURER REGARDING THE SAFE USE OF YOUR FLOORING IN A STEAM APPLICATION. SLIPPING AND FALLING INTO THE STEAMHEAD ITSELF OR INTO THE STREAM OF STEAM EMITTING FROM THE STEAMHEAD WILL CAUSE SERIOUS BURNS OR PHYSICAL INJURY.

IF YOU ARE FEELING UNCOMFORTABLE, DIZZY, FAINT, OR STARTING TO FALL ASLEEP, IMMEDIATELY EXIT THE STEAM ROOM.

DO NOT USE STEAM ROOM IF YOU ARE UNDER THE AGE OF 16 UNLESS SUPERVISED BY AN ADULT.

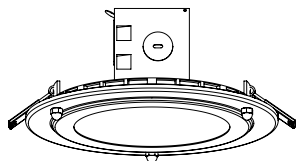
THERMASOL STEAM BATH GENERATORS ARE NOT DESIGNED TO BE USED FOR SPACE HEATING PURPOSES.

THERMASOL STEAM BATH GENERATORS ARE FOR INDOOR USE ONLY. THEY SHOULD NEVER BE LOCATED OUTSIDE THE HOME.

ALL PRODUCTS MUST BE INSTALLED IN ACCORDANCE WITH INSTALLATION INSTRUCTIONS PROVIDED. FAILURE TO DO SO MAY INVALIDATE WARRANTY AT MANUFACTURER'S DISCRETION. ©2021 THERMASOL.

## 2 Tools and Materials

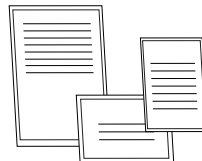
### Parts Enclosed:



SL-xx Assembly



Silicone



Installation instructions

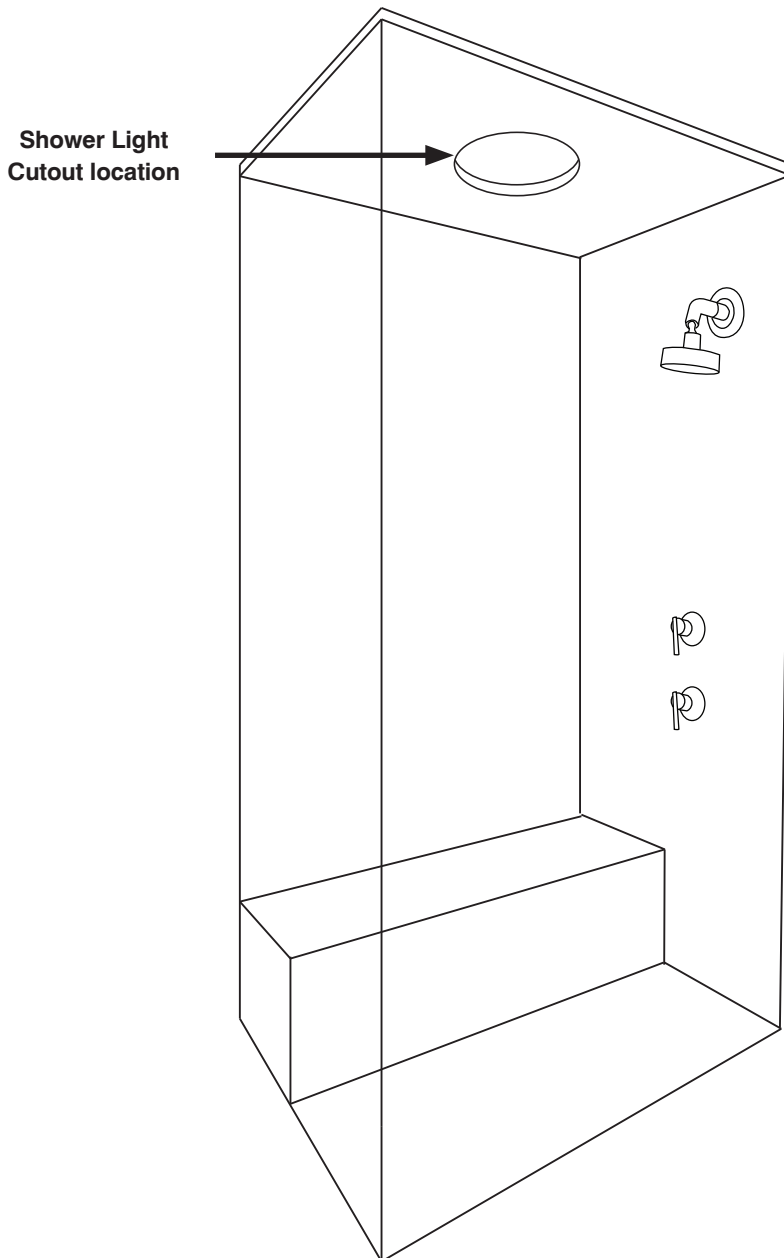
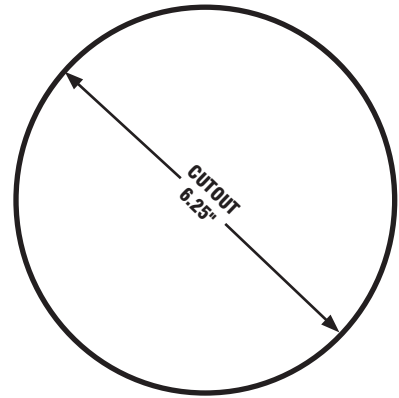
### Tools needed:

- Tile hole saw cutter

# 3 Placement and Cutout

The TermaSol Shower Light can be placed inside a Shower/Steam Shower. Cut a 6.25" circle out of your ceiling for installation.

Put all your connections through the hole, as the rest of the installation will be completed inside the shower.



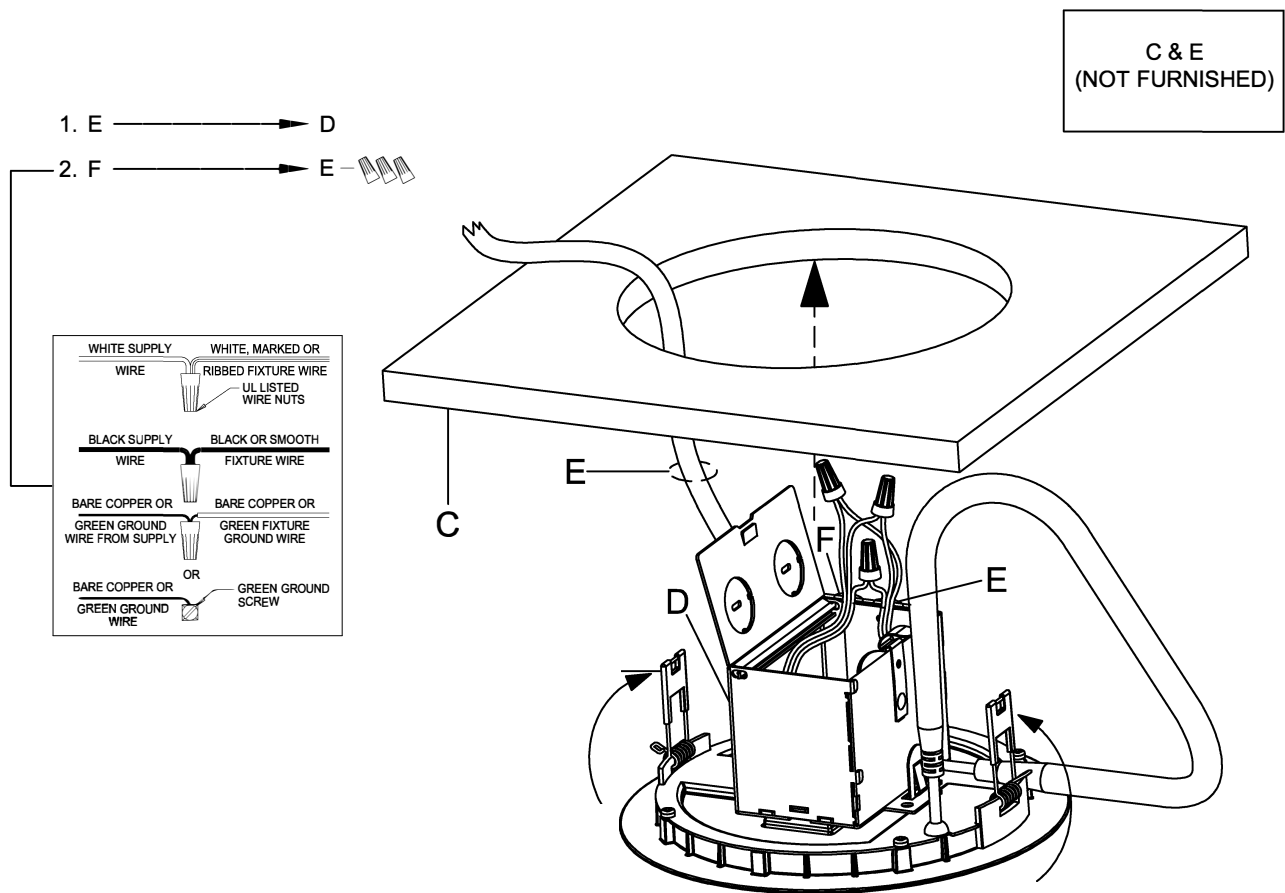
# 4 Electrical Install

**NOTE: A licensed electrician must be used for electrical installation**

The power to the Shower Light must be connected to a light switch/dimmer switch.

The light switch must be installed outside of the shower. Because there are a wide variety of switches available to you, and we do not provide the switch, refer to your specific installation instruction. Below in the notes section are a list of known compatible switches.

Pull electrical power "E" from the dimmer/light switch to "D" the electrical junction box and make connections. Refer to "F" for wiring instructions.



# 4 Mounting and Sealing

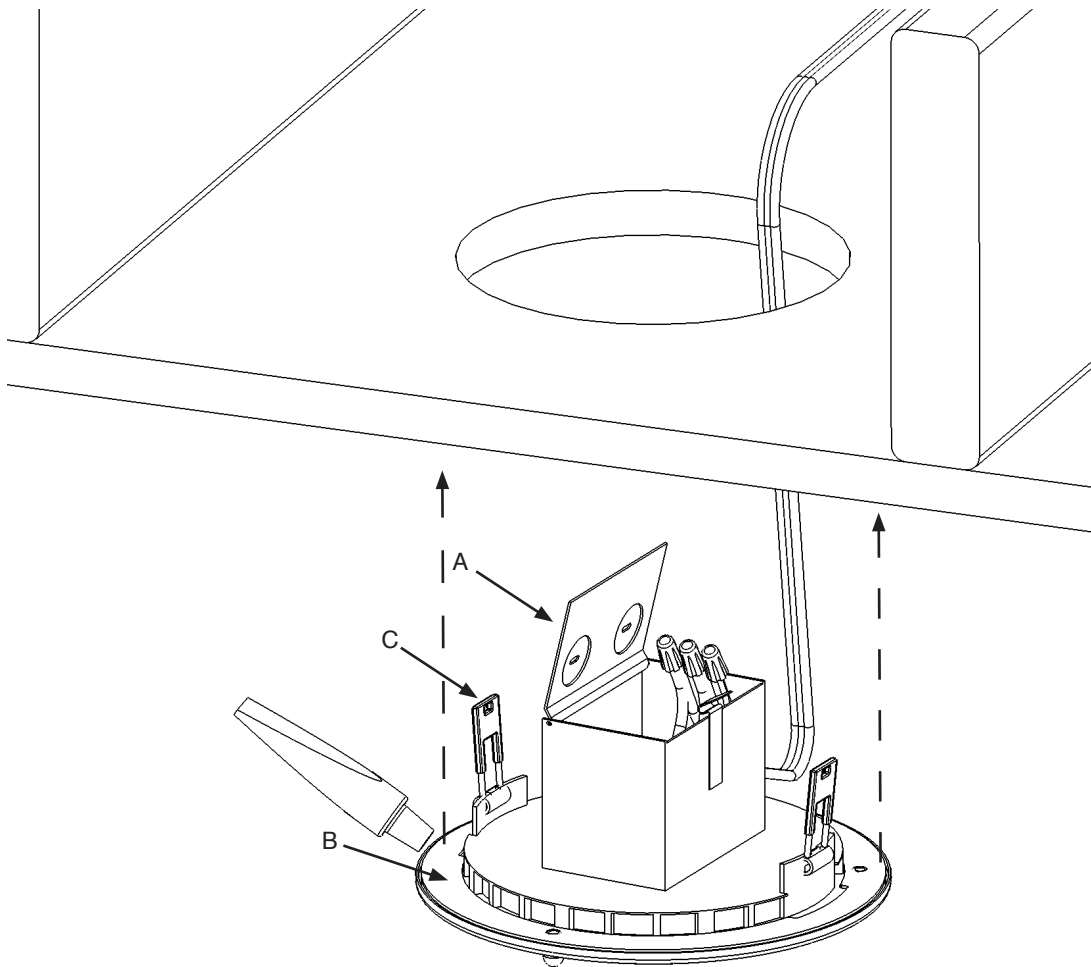
NOTE: Support the shower light as you install to not strain the electrical connections.

A - Close the electrical box cover

B - Apply silicone all the way around the light ring to ensure a complete seal to the ceiling.

C - Lift locking tabs and insert into the cutout, pressing firmly to spread silicone between the ceiling and the light ring.

Wipe away any excess silicone and allow 24 hours to dry before use of the shower.





# THERMASOL<sup>®</sup>

*Superior Steamshower Systems*



---

1958 STEAM WAY ROUND ROCK, TX 78665  
PHONE: 800.776.0711 | FAX: 800.556.5257 | WWW.THERMASOL.COM

81260\_NC