



The new degree of comfort.™



Residential Gas  
Professional *Classic Plus*  
Power Direct Vent Water Heaters

## Professional *Classic Plus*™ Power Direct Vent gas water heaters are a perfect choice for tight construction and indoor air quality

### Efficiency

- .62 EF

### Performance

- FHR: 111 gallons for natural and 92 gallons LP gas
- Recovery: 47.5 to 65.7 GPH at a 90° F rise, based on model

### Self-Diagnostic System

- Electronic gas control for improved monitoring and service



### Low Emissions

- Eco-friendly burner, low NOx design

### Features

- Two pipe system: one pipe pulls in outside air for combustion and the other exhausts combustion gases
- 120 VAC powered blower
- New whisper quiet blower

### Flammable Vapor Detection System

- Protective control system that disables the heater in the presence of flammable vapor accumulation

### Flexible Venting Options

- Long venting lengths up to 100 feet
- PVC, ABS, or CPVC vent pipe options
- Vertical or horizontal termination
- Concentric vent kit available

### Longer Life

- Premium grade anode rod provides long-lasting tank protection

### High Altitude Compliant

- Models are certified for applications up to 10,200 feet above sea level

### Plus...

- Enhanced flow brass drain valve
- Temperature and pressure relief valve included
- Low lead compliant
- Durable silicon nitride igniter (HSI)
- Side taps for space heating
- EverKleen™ patented system fights sediment build-up
- Standard replacement parts

### Warranty

- 8-Year limited tank and parts warranty\*
- With ProtectionPlus™ the 8-year limited tank warranty becomes 12-year

\*See Residential Warranty Certificate for complete information

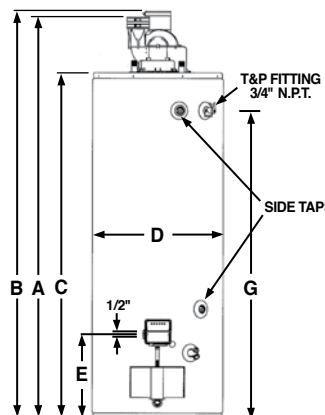
Units meet or exceed ANSI requirements and have been tested according to D.O.E. procedures. Units meet or exceed the energy efficiency requirements of NAECA, ASHRAE standard 90, ICC Code and all state energy efficiency performance criteria.



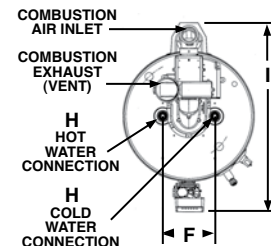
**Professional *Classic Plus***  
**Power Direct Vent**  
50-Gallon Capacities  
Up to 65,000 Btu/h  
Natural and LP Gas



LEED Point = 1



See venting information on back.



TYPE	DESCRIPTION		FEATURES						ROUGHING IN DIMENSIONS (SHOWN IN INCHES)										ENERGY INFO.	
	GAL. CAP.	MODEL NUMBER	GAS INPUT IN THOUS. BTU/H		RECOVERY IN G.P.H. 90° RISE		FIRST HOUR DEL. G.P.H.		HT. TO TOP OF VENT A	HT. TO TOP OF AIR INLET B	TANK HT. C	DIAM. D	HT. TO GAS CONN. E	WATER CONN. CNTR. F	HT. TO SIDE T&P VALVE G	WATER CONN. SIZE H	FRONT TO BACK I	SHIP. WT. (LBS)	ENERGY FACTOR	
			NAT.	LP	NAT.	LP	NAT.	LP											NAT.	LP
Tall	50	PRO+G50-65N RH62 PDV	65		65.7		111		67-5/8	68-3/8	59-3/8	21-3/4	14	8	52-3/4	3/4	31-1/2	210	0.62	
Tall	50	PRO+G50-47P RH62 PDV		47		47.5		92	67-5/8	68-3/8	59-3/8	21-3/4	14	8	52-3/4	3/4	31-1/2	210		0.62

Energy Factor based on D.O.E. (Department of Energy) test procedures.



INTEGRATED HOME COMFORT



The new degree of comfort.™



Residential Gas  
Professional *Classic Plus*  
Power Direct Vent Water Heaters

## Air-Inlet Venting Information

FROM SEA LEVEL THROUGH 2,000 FT. ABOVE SEA LEVEL					
MODEL	VENT & COMBUSTION AIR-INLET SYSTEM DIAMETER (INCHES)	MIN. ALLOWED EQUIV. VENT & COMBUSTION AIR-INLET LENGTHS – EACH PIPE RUN (FT.)	MAX. ALLOWED EQUIV. VENT & COMBUSTION AIR-INLET LENGTHS – EACH PIPE RUN (FT.)	VENT AND COMBUSTION AIR-INLET SYSTEM TERMINATION(S)	
PRO+G50-65N RH62 PDV	3	7	50	90° Elbows	–
PRO+G50-65N RH62 PDV	3	7	40	–	Concentric*
PRO+G50-65N RH62 PDV	4	7	100	90° Elbows	–

FROM 2,001 FT. ABOVE SEA LEVEL THROUGH 5,999 FT. ABOVE SEA LEVEL					
MODEL	VENT & COMBUSTION AIR-INLET SYSTEM DIAMETER (INCHES)	MIN. ALLOWED EQUIV. VENT & COMBUSTION AIR-INLET LENGTHS – EACH PIPE RUN (FT.)	MAX. ALLOWED EQUIV. VENT & COMBUSTION AIR-INLET LENGTHS – EACH PIPE RUN (FT.)	VENT AND COMBUSTION AIR-INLET SYSTEM TERMINATION(S)	
PRO+G50-65N RH62 PDV	3	7	50	90° Elbows	–
PRO+G50-65N RH62 PDV	3	7	40	–	Concentric*
PRO+G50-65N RH62 PDV	4	7	100	90° Elbows	–

FROM 6,000 FT. ABOVE SEA LEVEL THROUGH 7,700 FT. ABOVE SEA LEVEL					
MODEL	VENT & COMBUSTION AIR-INLET SYSTEM DIAMETER (INCHES)	MIN. ALLOWED EQUIV. VENT & COMBUSTION AIR-INLET LENGTHS – EACH PIPE RUN (FT.)	MAX. ALLOWED EQUIV. VENT & COMBUSTION AIR-INLET LENGTHS – EACH PIPE RUN (FT.)	VENT AND COMBUSTION AIR-INLET SYSTEM TERMINATION(S)	
PRO+G50-65N RH62 PDV	3	7	50	90° Elbows	–
PRO+G50-65N RH62 PDV	3	7	40	–	Concentric*
PRO+G50-65N RH62 PDV	4	7	100	90° Elbows	–

FROM 7,701 FT. ABOVE SEA LEVEL THROUGH 10,200 FT. ABOVE SEA LEVEL					
MODEL	VENT & COMBUSTION AIR-INLET SYSTEM DIAMETER (INCHES)	MIN. ALLOWED EQUIV. VENT & COMBUSTION AIR-INLET LENGTHS – EACH PIPE RUN (FT.)	MAX. ALLOWED EQUIV. VENT & COMBUSTION AIR-INLET LENGTHS – EACH PIPE RUN (FT.)	VENT AND COMBUSTION AIR-INLET SYSTEM TERMINATION(S)	
PRO+G50-65N RH62 PDV	3	7	25	90° Elbows	–
PRO+G50-65N RH62 PDV	3	7	20	–	Concentric*
PRO+G50-65N RH62 PDV	4	7	100	90° Elbows	–

One 90° elbow is approximately equivalent to 5 feet of pipe. One 45° elbow is approximately equivalent to 2.5 feet of pipe.

\* Use only Rheem 3 inch concentric termination.

*In keeping with its policy of continuous progress and product improvement, Rheem reserves the right to make changes without notice.*

Rheem Water Heating • 101 Bell Road  
Montgomery, Alabama 36117-4305 • www.rheem.com



INTEGRATED HOME COMFORT