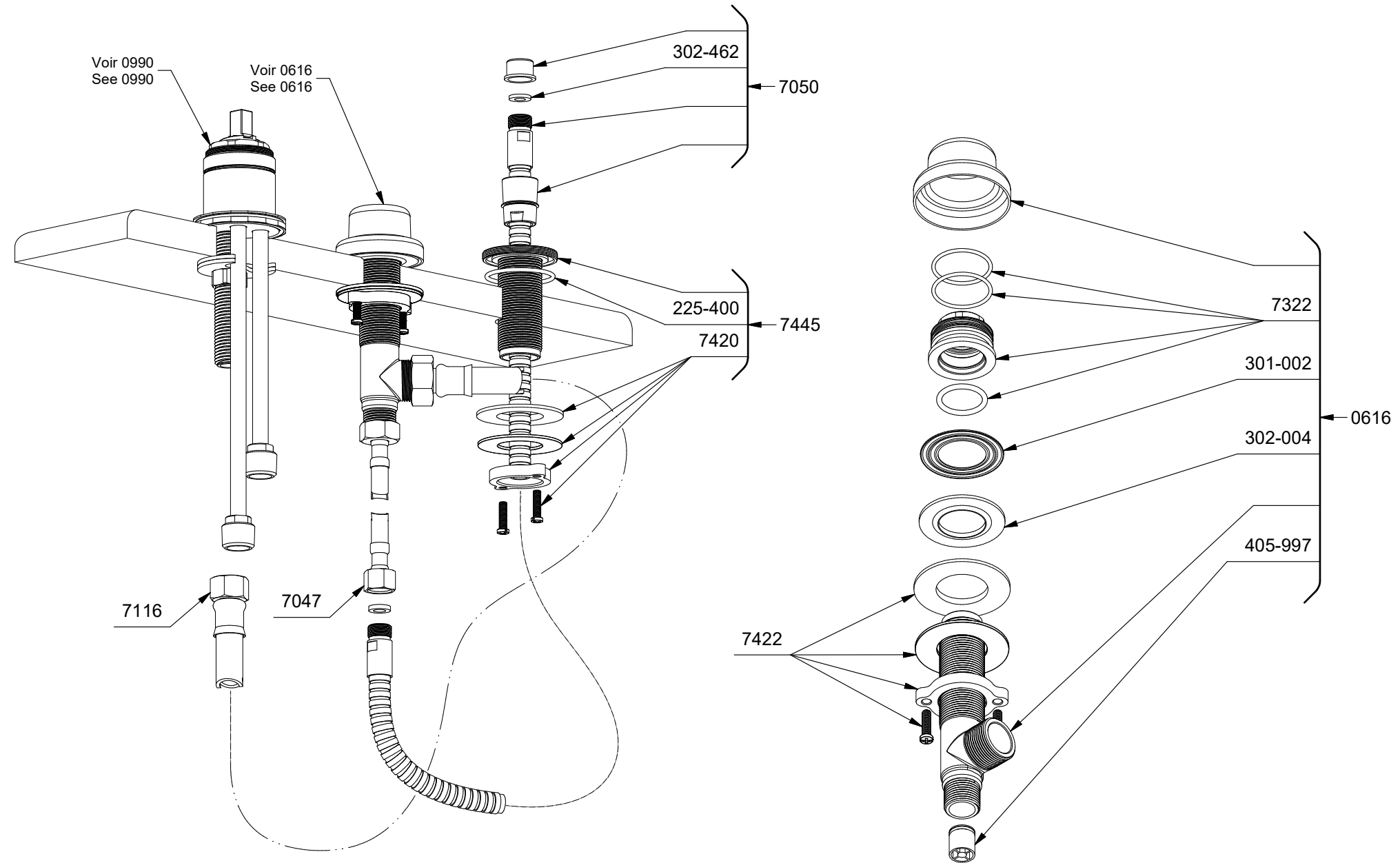
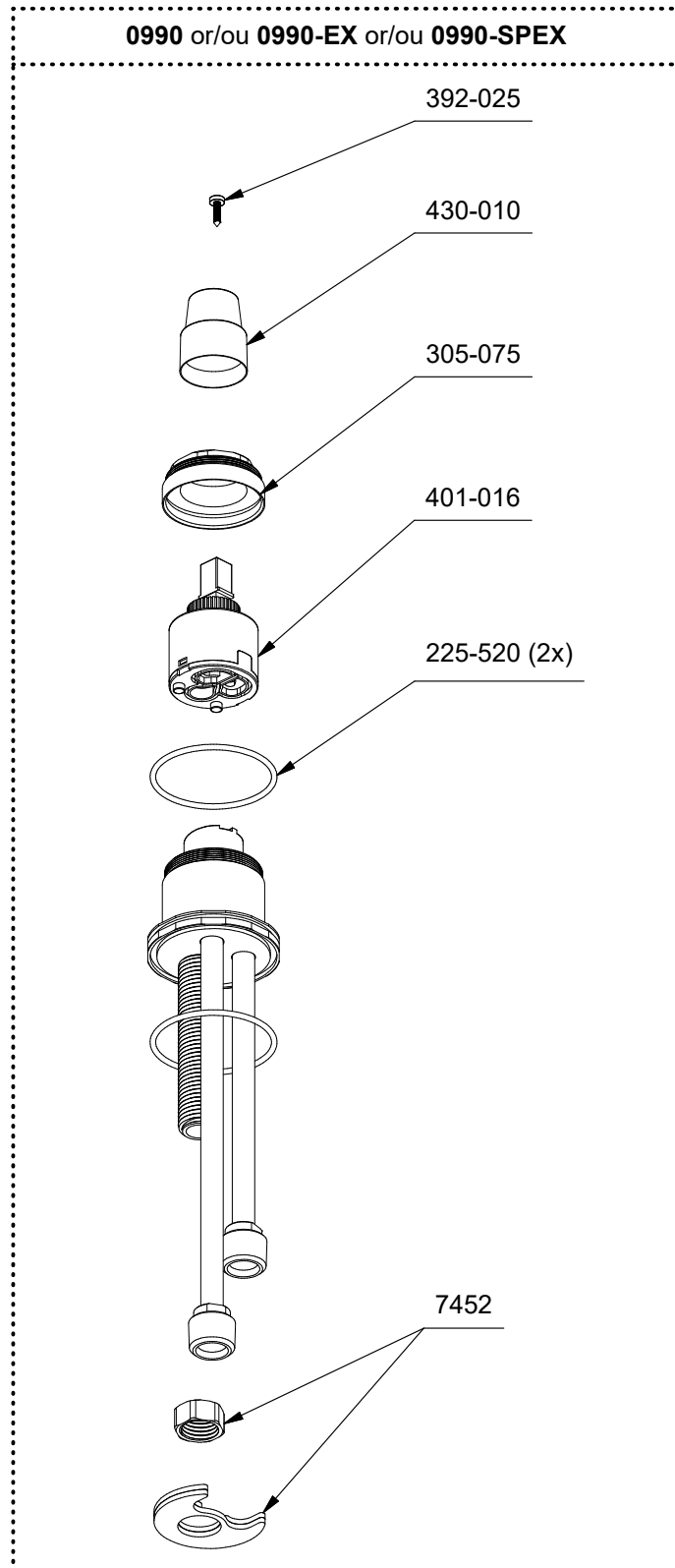


*Les dimensions, les modèles et les finis présentés peuvent différer. / Sizes, models and finishes may differ from those presented.

TOOL :
500-009 (Tool wrench)





TEQ16

Equinox

3-piece Type P deck-mount tub filler with hand shower trim

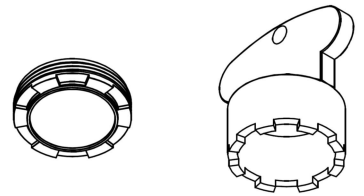
*Sizes, models and finishes may differ from those presented.

***Finish determined by Suffix**

Finish	Description
C	Chrome
BN	Brushed Nickel
PN	Polished Nickel

****Aerator Kit (Include tool) :**

S6-542 (Full flow)



TOOL :

500-002 (Plastic diverter rod tool)



504-020 (Allen key 2mm)



505-025 (Allen key 2.5mm)

