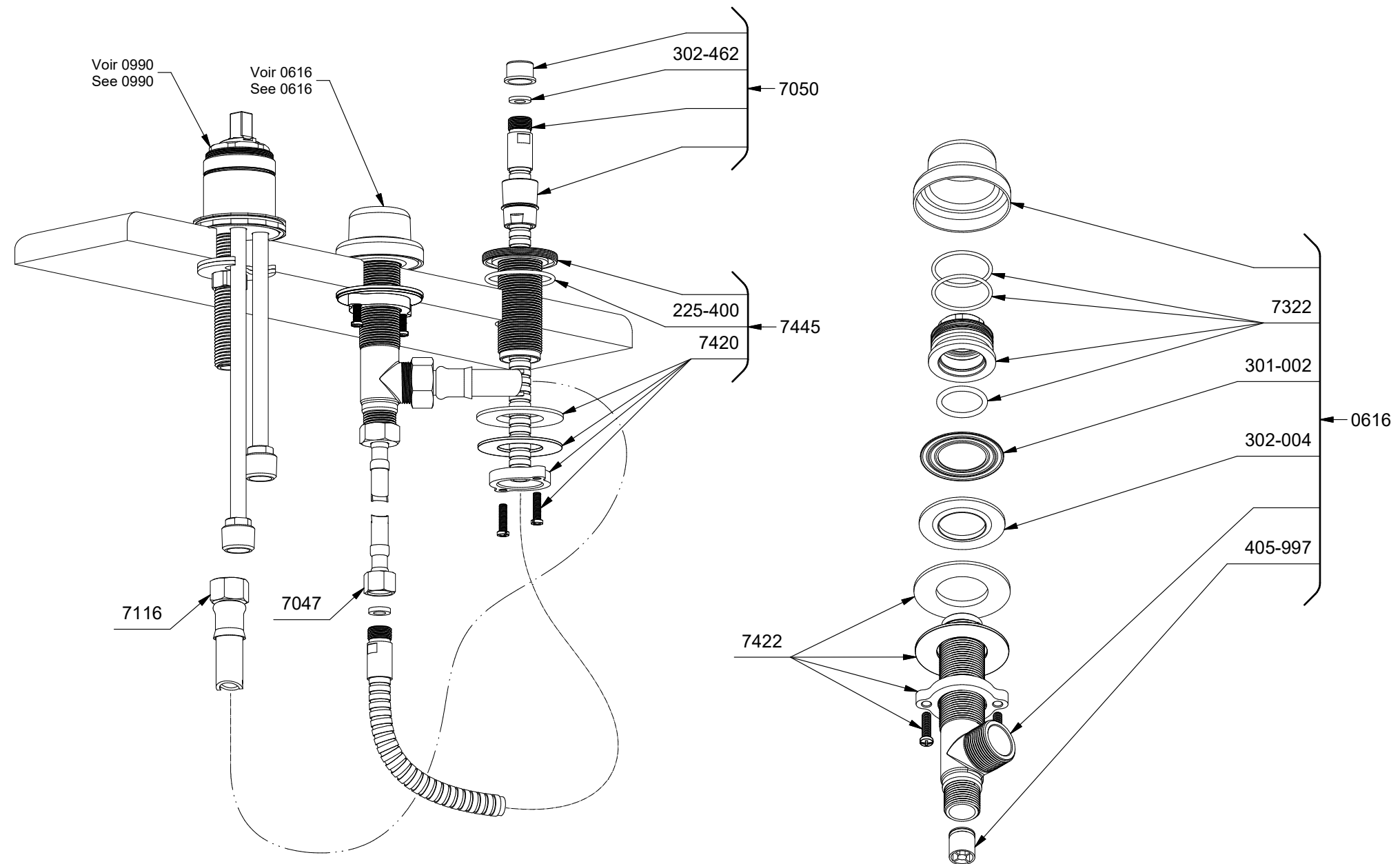
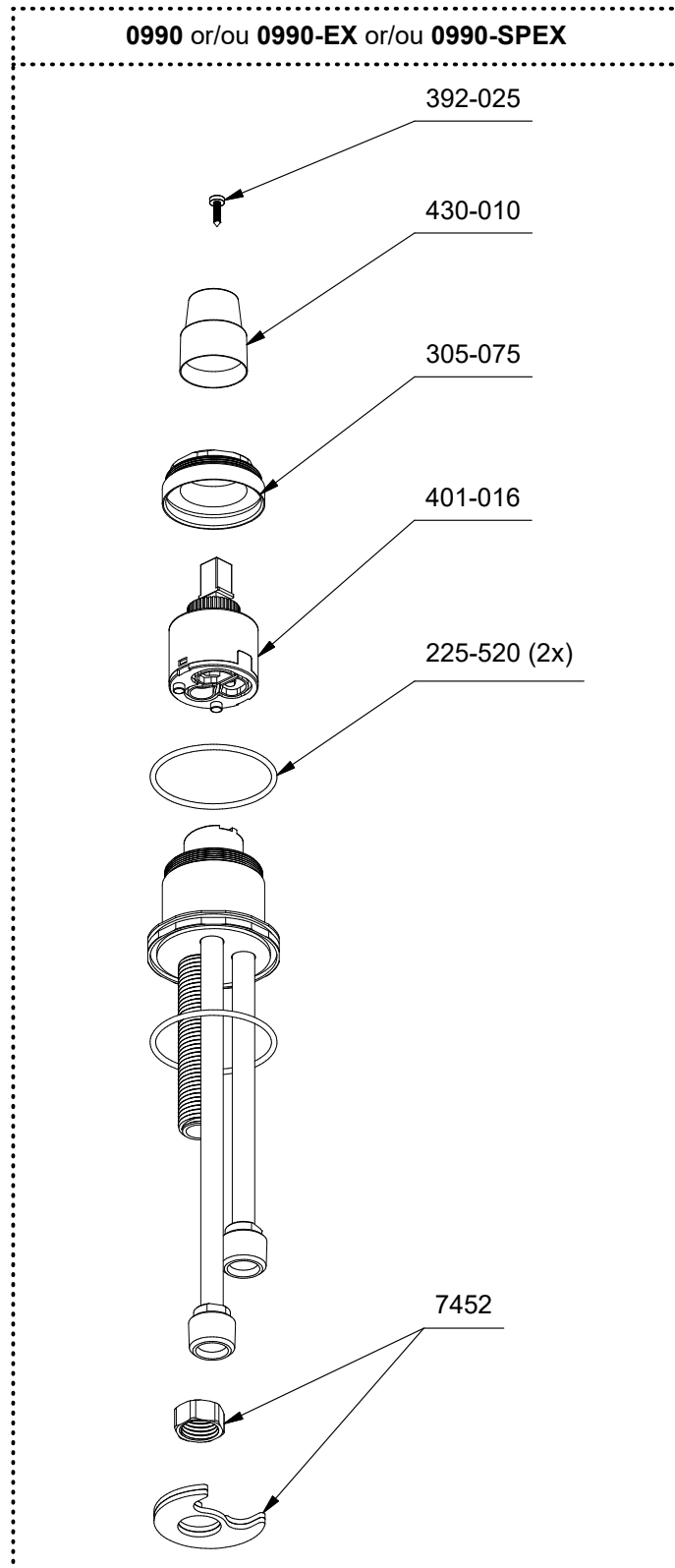


\*Les dimensions, les modèles et les finis présentés peuvent différer. / Sizes, models and finishes may differ from those presented.

**TOOL :**  
 500-009 (Tool wrench)



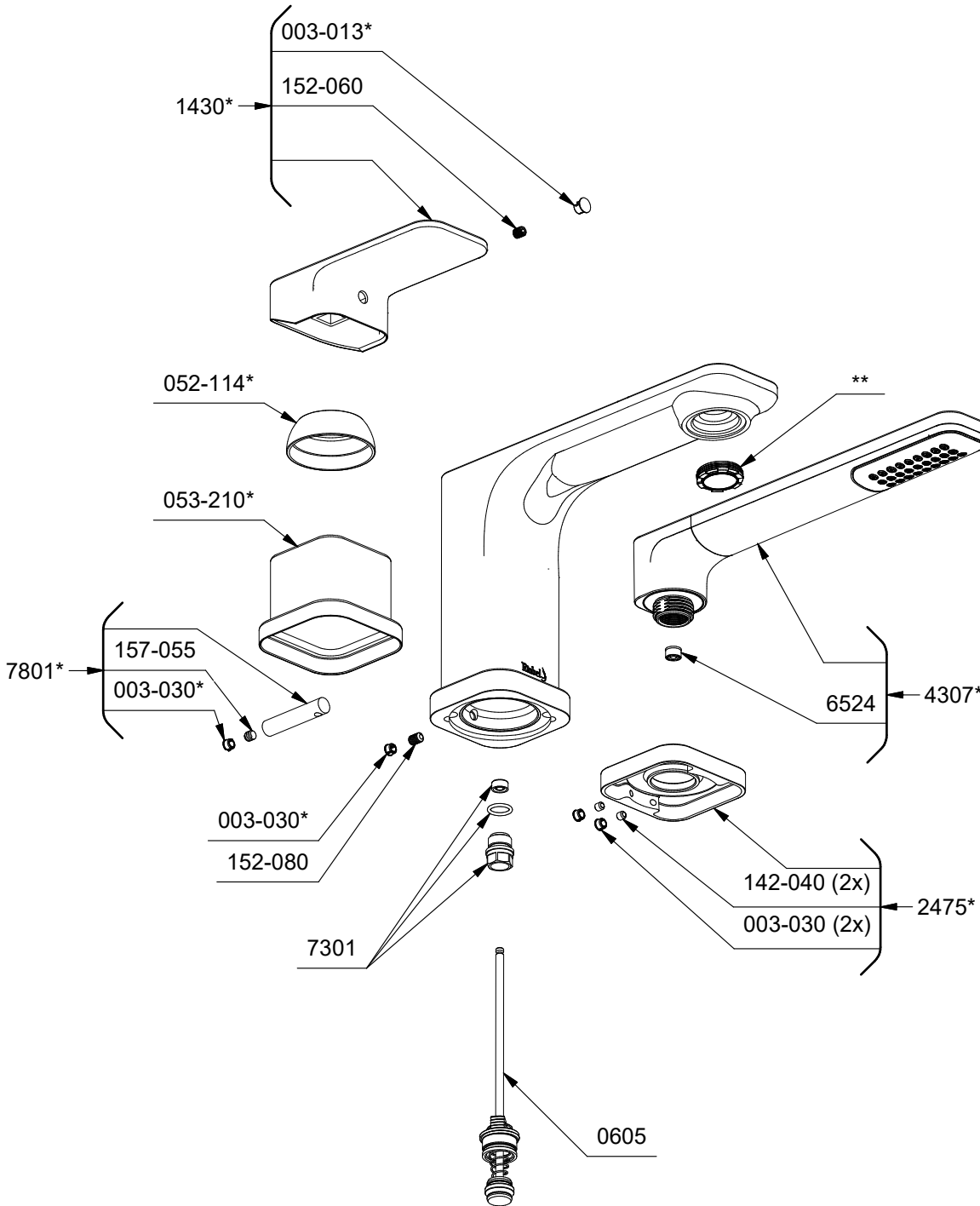


**TEQ10**

Equinox

3-piece deck-mount tub filler with hand shower trim

\*Sizes, models and finishes may differ from those presented.

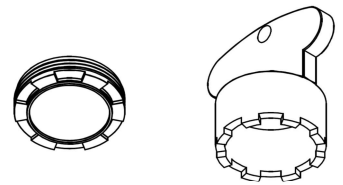


**\*Finish determined by Suffix**

Finish	Description
C	Chrome
BN	Brushed Nickel
BK	Black

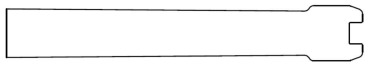
**\*\*Aerator Kit (Include tool) :**

S6-542 (Full flow)



**TOOL :**

500-002 (Plastic diverter rod tool)



504-020 (Allen key 2mm)



505-025 (Allen key 2.5mm)

