

EVERLOC⁺
Loc it up.



REHAU ACADEMY

Training Promotes Best Practices

The **REHAU Academy** training program offers you the skills to design and install REHAU products professionally. We aim to push the boundaries of energy efficiency and integrate the best ways to communicate the premium value of our products to your customers. REHAU Academy is not just pipe, valve and fitting training!

REHAU Academy is the central knowledge institute supporting REHAU solutions for high-performance building, with first-class presenters providing classroom instruction, hands-on technical training, lunch and learn seminars and online e-learning programs. REHAU Academy conveys crucial product information and relevant industry experience for a competitive edge.



About the Trainers

REHAU Academy is staffed with experts in REHAU product technologies and their applications in the built environment, including product development engineers, standards specialists, controls experts and technical sales engineers. Our team of presenters includes professionals with academic and practical experience, trained to deliver the information you need to know.

Training Materials

At most seminars, attendees receive a seminar binder with a copy of the presentation. Some seminars provide additional reference materials, such as catalogs and design guides.

Training Locations

REHAU Academy trainers can present virtually anywhere – at our permanent training locations, at customer locations or in convenient hotel meeting rooms. REHAU Academy facilities are located in:

- Leesburg, Virginia
- Cullman, Alabama
- Burlington, Ontario
- Minneapolis, Minnesota

Who Should Attend

- Installers
- Engineers
- Distributors
- Architects
- Designers
- AIA CES Registered
- Builders

Registration for Seminars

New seminars are planned each month. Many seminars are planned in cooperation with REHAU distributors and partners.

Visit na.rehau.com/academy for upcoming training dates and locations, or to request a seminar.

REHAU EDGESM

The Contractor Development Program That Builds Your Business

REHAU EDGE encourages all aspects of your business growth through training, product and tool incentives, design services, brand merchandise and local, regional and national events.



Join today!
No membership fee.
No minimum
purchase required.

REHAU EDGE is the ultimate connection that brings the entire team and channel partners together in active cooperation and communication to ensure that everyone moves in a direction that supports your business development.

- Team Events
- Design Services
- Product and Tool Incentives
- REHAU Academy Seminars
- Branded Merchandise
- VIP Events

Who Is Eligible?

All contractors installing REHAU PEXa systems in the US and Canada are eligible to join REHAU EDGE. There are no membership fees and no minimum purchase is required. All you have to do is complete and submit an application by visiting our website at edge.rehau.com

REHAU ENGINEERING SERVICES

Broaden Your Expertise

REHAU Engineering Services work directly with architects, engineers, design-build contractors and owners to establish details, specifications and system requirements prior to the project going out to bid.

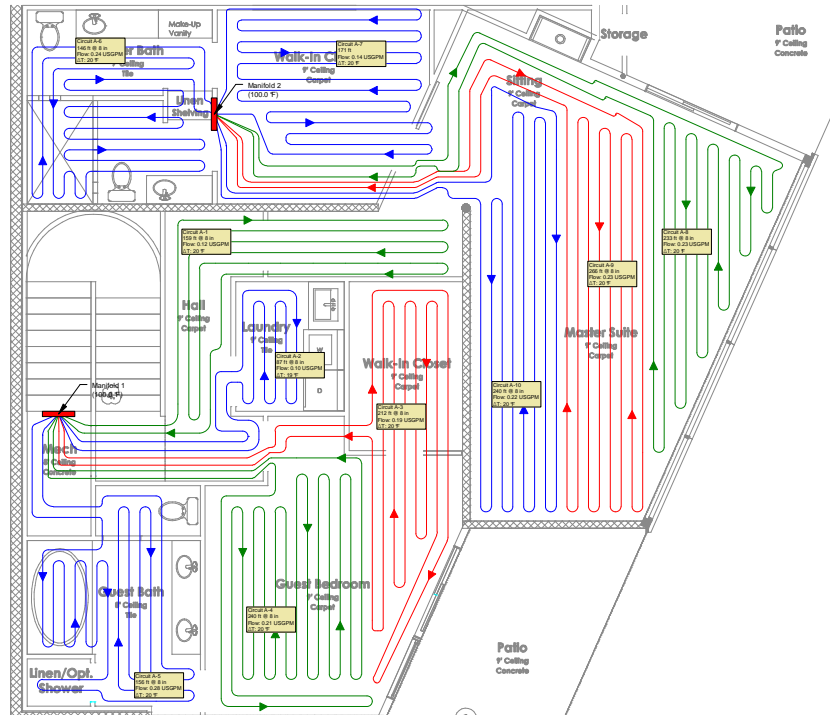
By working with these stakeholders during the planning phases of a project, REHAU can help reduce project changes that occur after the project bid has been awarded. REHAU takes into account the floor construction, design set points and ASHRAE standards to help develop designs for job-specific requirements.

REHAU LoopCAD® creates professional pipe layout drawings for systems including RAUPEX® radiant heating and snow and ice melting and configurations incorporating RAUPANEL™, RAUBOARD™ and RAUPLATE™ radiant heating technologies. REHAU LoopCAD Non-Graphical offers quick room-by-room data entry, calculating building heat loss, radiant panel outputs and a materials list.

REHAU Design Services provide the customer with detailed color drawings of geothermal, radiant or snow and ice melting applications engineered to maximize efficiency and help reduce labor and material costs. Often times, REHAU can help consolidate manifolds, reduce distribution piping and speed installation through our custom designs.

REHAU Design Services include:

- Piping Layouts
- Plumbing Submittal Drawings & Packages
- Radiant Design
- Radiant System Capacities
- Geothermal Design



REHAU BIM Library offers a directory of drawings, easy to download into an active design. BIM files offer efficiencies to project owners through ease of collaboration. REHAU BIM library offers models of core products including pipe, fittings, manifolds and installation accessories - available for immediate download.



CONTENTS

| | |
|--|----------|
| EVERLOC+® PEXa Plumbing System | 1 |
| FIREPEX™ Residential Fire Sprinkler System | 2 |
| Radiant Heating/Cooling, Snow and Ice Melting Systems | 3 |
| INSULPEX® Pre-insulated PEXa Piping Systems | 4 |
| RAUGEO™ Ground Loop Heat Exchange Systems | 5 |

EVERLOC+[®] PEXa PLUMBING SYSTEM

Product Catalog



TABLE OF CONTENTS

| | | | |
|---|------|---------------------------------|------|
| 1. RAUPEX® UV Shield Pipe | 1.3 | 6. EVERLOC+ Copper Ells | 1.19 |
| 2. EVERLOC+® Compression-sleeve Fittings | 1.8 | 7. Pipe Supports and Protection | 1.20 |
| 3. EVERLOC+ Multi-port Tees and Manifolds | 1.13 | 8. Pipe Fasteners | 1.22 |
| 4. EVERLOC+ Compression-sleeve Tools | 1.15 | 9. Pipe Installation Tools | 1.24 |
| 5. EVERLOC+ Valves and Boxes | 1.17 | | |



For updates to this publication and the most current technical instructions, safety information and manufacturer's recommendations, visit na.rehau.com/resourcecenter

1. RAUPEX UV SHIELD PIPE

RAUPEX UV shield pipe is manufactured using REHAU's high-pressure peroxide method for crosslinked polyethylene (PEXa). RAUPEX UV shield pipe has a co-extruded PE shield that protects the pipe against ultraviolet light (sunlight) for one year. All RAUPEX UV shield pipe meets or exceeds the requirements of ASTM F876, CSA B137.5 and PPI TR-3 and is certified to NSF Standards 14/61. RAUPEX UV shield pipe is manufactured in the USA by REHAU in a plant using a quality management system that is certified to ISO 9001. RAUPEX UV Shield pipe is specifically designed for use with the EVERLOC+ compression-sleeve system certified to ASTM F877. See *Technical Bulletin 261* for other compatible PEX fitting systems.



3/8 in. RAUPEX Red UV Shield Pipe

| Article No. | Description | Package Quantity | Unit Weight | | Minimum Order |
|-------------|---|------------------|-------------|------|---------------|
| | | | kg | lb | |
| 235331-502* | 3/8 in. RAUPEX Red UV Shield Pipe 500 ft coil (152.4 m) | 500 ft | 10.5 | 23.1 | 1 coil |
| 235331-002* | 3/8 in. RAUPEX Red UV Shield Pipe 1000 ft coil (304.8 m) | 1000 ft | 21.0 | 46.2 | 1 coil |

*This item is not stocked. Lead times may vary.

1/2 in. RAUPEX Red UV Shield Pipe

| Article No. | Description | Package Quantity | Unit Weight | | Minimum Order |
|-------------|---|-------------------------|-------------|------|---------------|
| | | | kg | lb | |
| 235351-102 | 1/2 in. RAUPEX Red UV Shield Pipe 100 ft coil (30.5 m) | 100 ft | 2.6 | 5.8 | 1 coil |
| 235351-302 | 1/2 in. RAUPEX Red UV Shield Pipe 300 ft coil (91.4 m) | 300 ft | 7.8 | 17.2 | 1 coil |
| 235351-502 | 1/2 in. RAUPEX Red UV Shield Pipe 500 ft coil (152.4 m) | 500 ft | 13.1 | 28.9 | 1 coil |
| 235351-002 | 1/2 in. RAUPEX Red UV Shield Pipe 1000 ft coil (304.8 m) | 1000 ft | 26.3 | 57.9 | 1 coil |
| 235351-152 | 1/2 in. RAUPEX Red UV Shield Pipe 500 ft (152.4 m) | 5 (100 ft) coils/box | 13.1 | 28.9 | 1 box |
| 235351-352 | 1/2 in. RAUPEX Red UV Shield Pipe 1500 ft (457.2 m) | 5 (300 ft) coils/box | 41.1 | 90.5 | 1 box |

3/4 in. RAUPEX Red UV Shield Pipe

| Article No. | Description | Package Quantity | Unit Weight | | Minimum Order |
|-------------|---|-------------------------|-------------|------|---------------|
| | | | kg | lb | |
| 235371-102 | 3/4 in. RAUPEX Red UV Shield Pipe, 100 ft coil (30.5 m) | 100 ft | 4.9 | 10.9 | 1 coil |
| 235371-302 | 3/4 in. RAUPEX Red UV Shield Pipe, 300 ft coil (91.4 m) | 300 ft | 14.7 | 32.3 | 1 coil |
| 235371-502 | 3/4 in. RAUPEX Red UV Shield Pipe, 500 ft coil (152.4 m) | 500 ft | 24.6 | 54.3 | 1 coil |
| 235371-152 | 3/4 in. RAUPEX Red UV Shield Pipe, 500 ft (152.4 m) | 5 (100 ft) coils/box | 24.6 | 54.3 | 1 box |

| 1 in. RAUPEX Red UV Shield Pipe | | | | | |
|---------------------------------|--|------------------|-------------|------|---------------|
| Article No. | Description | Package Quantity | Unit Weight | | Minimum Order |
| | | | kg | lb | |
| 235381-102 | 1 in. RAUPEX Red UV Shield Pipe, 100 ft coil (30.5 m) | 100 ft | 7.9 | 17.5 | 1 coil |
| 235381-302 | 1 in. RAUPEX Red UV Shield Pipe, 300 ft coil (91.4 m) | 300 ft | 23.8 | 52.4 | 1 coil |
| 235381-502 | 1 in. RAUPEX Red UV Shield Pipe, 500 ft coil (152.4 m) | 500 ft | 39.7 | 87.5 | 1 coil |



| 20 ft Straight Lengths RAUPEX Red UV Shield Pipe | | | | | |
|--|--|----------------------|-------------|-----|---------------|
| Article No. | Description | Package Quantity Bag | Unit Weight | | Minimum Order |
| | | | kg | lb | |
| 235351-022 | 1/2 in. RAUPEX Red UV Shield Pipe, 20 ft (6.1 m) | 50 pcs (1000 ft) | 0.5 | 1.2 | 1 bag |
| 235371-022 | 3/4 in. RAUPEX Red UV Shield Pipe, 20 ft (6.1 m) | 25 pcs (500 ft) | 1.0 | 2.2 | 1 bag |
| 235381-022 | 1 in. RAUPEX Red UV Shield Pipe, 20 ft (6.1 m) | 25 pcs (500 ft) | 1.6 | 3.5 | 1 bag |

Straight lengths are packaged in a single outer bag.



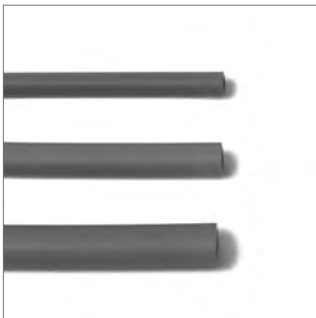
| 3/8 in. RAUPEX Blue UV Shield Pipe | | | | | |
|------------------------------------|---|------------------|-------------|------|---------------|
| Article No. | Description | Package Quantity | Unit Weight | | Minimum Order |
| | | | kg | lb | |
| 235331-501* | 3/8 in. RAUPEX Blue UV Shield Pipe 500 ft coil (152.4 m) | 500 ft | 10.5 | 23.1 | 1 coil |
| 235331-001* | 3/8 in. RAUPEX Blue UV Shield Pipe 1000 ft coil (304.8 m) | 1000 ft | 21.0 | 46.2 | 1 coil |

*This item is not stocked. Lead times may vary.

| 1/2 in. RAUPEX Blue UV Shield Pipe | | | | | |
|------------------------------------|---|----------------------|-------------|------|---------------|
| Article No. | Description | Package Quantity | Unit Weight | | Minimum Order |
| | | | kg | lb | |
| 235351-101 | 1/2 in. RAUPEX Blue UV Shield Pipe 100 ft coil (30.5 m) | 100 ft | 2.6 | 5.8 | 1 coil |
| 235351-301 | 1/2 in. RAUPEX Blue UV Shield Pipe 300 ft coil (91.4 m) | 300 ft | 7.8 | 17.2 | 1 coil |
| 235351-501 | 1/2 in. RAUPEX Blue UV Shield Pipe 500 ft coil (152.4 m) | 500 ft | 13.1 | 28.9 | 1 coil |
| 235351-001 | 1/2 in. RAUPEX Blue UV Shield Pipe 1000 ft coil (304.8 m) | 1000 ft | 26.3 | 57.9 | 1 coil |
| 235351-151 | 1/2 in. RAUPEX Blue UV Shield Pipe 500 ft (152.4 m) | 5 (100 ft) coils/box | 13.1 | 28.9 | 1 box |
| 235351-351 | 1/2 in. RAUPEX Blue UV Shield Pipe 1500 ft (457.2 m) | 5 (300 ft) coils/box | 41.1 | 90.5 | 1 box |

| 3/4 in. RAUPEX Blue UV Shield Pipe | | | | | |
|------------------------------------|---|----------------------|-------------|------|---------------|
| Article No. | Description | Package Quantity | Unit Weight | | Minimum Order |
| | | | kg | lb | |
| 235371-101 | 3/4 in. RAUPEX Blue UV Shield Pipe, 100 ft coil (30.5 m) | 100 ft | 4.9 | 10.9 | 1 coil |
| 235371-301 | 3/4 in. RAUPEX Blue UV Shield Pipe, 300 ft coil (91.4 m) | 300 ft | 14.7 | 32.3 | 1 coil |
| 235371-501 | 3/4 in. RAUPEX Blue UV Shield Pipe, 500 ft coil (152.4 m) | 500 ft | 24.6 | 54.3 | 1 coil |
| 235371-151 | 3/4 in. RAUPEX Blue UV Shield Pipe, 500 ft (152.4 m) | 5 (100 ft) coils/box | 24.6 | 54.3 | 1 box |

| 1 in. RAUPEX Blue UV Shield Pipe | | | | | |
|----------------------------------|---|------------------|-------------|------|---------------|
| Article No. | Description | Package Quantity | Unit Weight | | Minimum Order |
| | | | kg | lb | |
| 235381-101 | 1 in. RAUPEX Blue UV Shield Pipe, 100 ft coil (30.5 m) | 100 ft | 7.9 | 17.5 | 1 coil |
| 235381-301 | 1 in. RAUPEX Blue UV Shield Pipe, 300 ft coil (91.4 m) | 300 ft | 23.8 | 52.4 | 1 coil |
| 235381-501 | 1 in. RAUPEX Blue UV Shield Pipe, 500 ft coil (152.4 m) | 500 ft | 39.7 | 87.5 | 1 coil |



| 20 ft Straight Lengths RAUPEX Blue UV Shield Pipe | | | | | |
|---|---|----------------------|-------------|-----|---------------|
| Article No. | Description | Package Quantity Bag | Unit Weight | | Minimum Order |
| | | | kg | lb | |
| 235351-021 | 1/2 in. RAUPEX Blue UV Shield Pipe, 20 ft (6.1 m) | 50 pcs (1000 ft) | 0.50 | 1.2 | 1 bag |
| 235371-021 | 3/4 in. RAUPEX Blue UV Shield Pipe, 20 ft (6.1 m) | 25 pcs (500 ft) | 1.0 | 2.2 | 1 bag |
| 235381-021 | 1 in. RAUPEX Blue UV Shield Pipe, 20 ft (6.1 m) | 25 pcs (500 ft) | 1.6 | 3.5 | 1 bag |

Straight lengths are packaged in a single outer bag.



| 3/8 in. RAUPEX White UV Shield Pipe | | | | | |
|-------------------------------------|--|------------------|-------------|------|---------------|
| Article No. | Description | Package Quantity | Unit Weight | | Minimum Order |
| | | | kg | lb | |
| 235331-513+ | 3/8 in. RAUPEX White UV Shield Pipe 500 ft coil (152.4 m) | 500 ft | 10.5 | 23.1 | 1 coil |
| 235331-013+ | 3/8 in. RAUPEX White UV Shield Pipe 1000 ft coil (304.8 m) | 1000 ft | 21.0 | 46.2 | 1 coil |

*This item is not stocked. Lead times may vary.

| 1/2 in. RAUPEX White UV Shield Pipe | | | | | |
|-------------------------------------|---|-------------------------|-------------|------|---------------|
| Article No. | Description | Package Quantity | Unit Weight | | Minimum Order |
| | | | kg | lb | |
| 235351-113 | 1/2 in. RAUPEX White UV Shield Pipe 100 ft coil (30.5 m) | 100 ft | 2.6 | 5.8 | 1 coil |
| 235351-313 | 1/2 in. RAUPEX White UV Shield Pipe 300 ft coil (91.4 m) | 300 ft | 7.8 | 17.2 | 1 coil |
| 235351-513 | 1/2 in. RAUPEX White UV Shield Pipe 500 ft coil (152.4 m) | 500 ft | 13.1 | 28.9 | 1 coil |
| 235351-013 | 1/2 in. RAUPEX White UV Shield Pipe 1000 ft coil (304.8 m) | 1000 ft | 26.3 | 57.9 | 1 coil |
| 235351-153 | 1/2 in. RAUPEX White UV Shield Pipe, 500 ft (152.4 m) | 5 (100 ft) coils/box | 13.1 | 28.9 | 1 box |
| 235351-353 | 1/2 in. RAUPEX White UV Shield Pipe, 1500 ft (457.2 m) | 5 (300 ft) coils/box | 41.1 | 90.5 | 1 box |

| 3/4 in. RAUPEX White UV Shield Pipe | | | | | |
|-------------------------------------|--|-------------------------|-------------|-------|---------------|
| Article No. | Description | Package Quantity | Unit Weight | | Minimum Order |
| | | | kg | lb | |
| 235371-113 | 3/4 in. RAUPEX White UV Shield Pipe, 100 ft coil (30.5 m) | 100 ft | 4.9 | 10.9 | 1 coil |
| 235371-313 | 3/4 in. RAUPEX White UV Shield Pipe, 300 ft coil (91.4 m) | 300 ft | 14.7 | 32.3 | 1 coil |
| 235371-513 | 3/4 in. RAUPEX White UV Shield Pipe, 500 ft coil (152.4 m) | 500 ft | 24.6 | 54.3 | 1 coil |
| 235371-013 | 3/4 in. RAUPEX White UV Shield Pipe, 1000 ft coil (304.8 m) | 1000 ft | 48.9 | 108.0 | 1 coil |
| 235371-153 | 3/4 in. RAUPEX White UV Shield Pipe, 500 ft (152.4 m) | 5 (100 ft) coils/box | 24.6 | 54.3 | 1 box |

| 1 in. RAUPEX White UV Shield Pipe | | | | | |
|-----------------------------------|---|------------------|-------------|------|---------------|
| Article No. | Description | Package Quantity | Unit Weight | | Minimum Order |
| | | | kg | lb | |
| 235381-113 | 1 in. RAUPEX White UV Shield Pipe, 100 ft coil (30.5 m) | 100 ft | 7.9 | 17.5 | 1 coil |
| 235381-313 | 1 in. RAUPEX White UV Shield Pipe, 300 ft coil (91.4 m) | 300 ft | 23.8 | 52.4 | 1 coil |
| 235381-513 | 1 in. RAUPEX White UV Shield Pipe, 500 ft coil (152.4 m) | 500 ft | 39.7 | 87.5 | 1 coil |

| 1 1/4 in. RAUPEX White UV Shield Pipe | | | | | |
|---------------------------------------|--|------------------|-------------|------|---------------|
| Article No. | Description | Package Quantity | Unit Weight | | Minimum Order |
| | | | kg | lb | |
| 132571-113 | 1 1/4 in. RAUPEX White UV Shield Pipe, 100 ft coil (30.5 m) | 100 ft | 11.4 | 25.0 | 1 coil |
| 132571-313 | 1 1/4 in. RAUPEX White UV Shield Pipe, 300 ft coil (91.4 m) | 300 ft | 34.2 | 75.0 | 1 coil |

1 1/2 in. RAUPEX White UV Shield Pipe

| Article No. | Description | Package Quantity | Unit Weight kg | Unit Weight lb | Minimum Order |
|-------------|---|------------------|-------------------|-------------------|---------------|
| 132581-113 | 1 1/2 in. RAUPEX White UV Shield Pipe, 100 ft coil (30.5 m) | 100 ft | 16.0 | 35.0 | 1 coil |
| 132581-313 | 1 1/2 in. RAUPEX White UV Shield Pipe, 300 ft coil (91.4 m) | 300 ft | 48.0 | 105.0 | 1 coil |

2 in. RAUPEX White UV Shield Pipe

| Article No. | Description | Package Quantity | Unit Weight kg | Unit Weight lb | Minimum Order |
|-------------|---|------------------|-------------------|-------------------|---------------|
| 132591-113 | 2 in. RAUPEX White UV Shield Pipe, 100 ft coil (30.5 m) | 100 ft | 27.4 | 60.0 | 1 coil |
| 132591-313 | 2 in. RAUPEX White UV Shield Pipe, 300 ft coil (91.4 m) | 300 ft | 82.2 | 180.0 | 1 coil |

**20 ft Straight Lengths RAUPEX White UV Shield Pipe**

| Article No. | Description | Package Quantity Bag | Unit Weight kg | Unit Weight lb | Minimum Order |
|-------------|--|-------------------------|-------------------|-------------------|---------------|
| 235351-023 | 1/2 in. RAUPEX White UV Shield Pipe, 20 ft (6.1 m) | 50 pcs (1000 ft) | 0.50 | 1.2 | 1 bag |
| 235371-023 | 3/4 in. RAUPEX White UV Shield Pipe, 20 ft (6.1 m) | 25 pcs (500 ft) | 1.0 | 2.2 | 1 bag |
| 235381-023 | 1 in. RAUPEX White UV Shield Pipe, 20 ft (6.1 m) | 25 pcs (500 ft) | 1.6 | 3.5 | 1 bag |
| 132571-023 | 1 1/4 in. RAUPEX White UV Shield Pipe, 20 ft (6.1 m) | 5 pcs (100 ft) | 2.3 | 5.0 | 1 bag |
| 132581-023 | 1 1/2 in. RAUPEX White UV Shield Pipe, 20 ft (6.1 m) | 5 pcs (100 ft) | 3.2 | 7.0 | 1 bag |
| 132591-023 | 2 in. RAUPEX White UV Shield Pipe, 20 ft (6.1 m) | 5 pcs (100 ft) | 5.5 | 12.0 | 1 bag |

Straight lengths are packaged in a single outer bag.

Pre-sleeved RAUPEX White UV Shield Pipe

RAUPEX UV shield pipe with a red or blue corrugated PE sleeve, where jurisdictional requirements for plumbing pipe are to be sleeved when buried in concrete or other substrate.

**RAUPEX White UV Shield Pre-sleeved Pipe**

| Article No. | Description | Package Quantity | Unit Weight kg | Unit Weight lb | Minimum Order |
|-------------|--|------------------|-------------------|-------------------|---------------|
| 106596-777 | 1/2 in. RAUPEX White UV Shield Pre-sleeved Red, 300 ft (91.4 m) | 300 ft | 14.1 | 30.9 | 1 coil |
| 106598-888 | 1/2 in. RAUPEX White UV Shield Pre-sleeved Blue, 300 ft (91.4 m) | 300 ft | 14.1 | 30.9 | 1 coil |
| 106394-777 | 3/4 in. RAUPEX White UV Shield Pre-sleeved Red, 300 ft (91.4 m) | 300 ft | 21.2 | 46.7 | 1 coil |
| 106395-888 | 3/4 in. RAUPEX White UV Shield Pre-sleeved Blue, 300 ft (91.4 m) | 300 ft | 21.2 | 46.7 | 1 coil |
| 106396-777 | 1 in. RAUPEX White UV Shield Pre-sleeved Red, 100 ft (30.5 m) | 100 ft | 11.2 | 24.7 | 1 coil |
| 106397-888 | 1 in. RAUPEX White UV Shield Pre-sleeved Blue, 100 ft (30.5 m) | 100 ft | 11.2 | 24.7 | 1 coil |

2. EVERLOC+ COMPRESSION-SLEEVE FITTINGS

EVERLOC+ compression-sleeve fittings and sleeves are designed specifically for use with REHAU PEXa pipe. Installation is performed with EVERLOC+ compression-sleeve tools. Follow all published REHAU *Technical Guidelines*. EVERLOC+ polymer fittings are produced from a polyphenylsulfone (PPSU) material. EVERLOC+ LF brass fittings are produced from ECO Brass® (UNS C69300 or CW724R). EVERLOC+ compression sleeves are produced using a specially formulated PEXa material and are designed specifically for use with EVERLOC+ fittings. All EVERLOC+ fittings and sleeves comply with the lead-free requirements of the U.S. Safe Drinking Water Act. Order PEXa compression sleeves separately from fittings. EVERLOC+ polymer fittings and sleeves are manufactured by REHAU in a plant using a quality management system that is certified to ISO 9001.



| EVERLOC+ PEXa Compression Sleeves | | | | | | | |
|-----------------------------------|--------------------------------|------------------|-----|-------------|-------|---------------|--|
| Article No. | Description | Package Quantity | | Unit Weight | | Minimum Order | |
| | | Bag | Box | g | lb | | |
| 104815-001 | 3/8 in. EVERLOC+ PEXa Sleeve | 50 | 600 | 2.72 | 0.006 | 1 bag | |
| 104816-001 | 1/2 in. EVERLOC+ PEXa Sleeve | 100 | 400 | 3.17 | 0.007 | 1 box | |
| 104817-001 | 5/8 in. EVERLOC+ PEXa Sleeve | 50 | 250 | 5.44 | 0.012 | 1 bag | |
| 104818-001 | 3/4 in. EVERLOC+ PEXa Sleeve | 50 | 150 | 8.62 | 0.019 | 1 box | |
| 104819-001 | 1 in. EVERLOC+ PEXa Sleeve | 20 | 80 | 15.88 | 0.035 | 1 box | |
| 104820-001 | 1 1/4 in. EVERLOC+ PEXa Sleeve | 10 | 50 | 20.41 | 0.045 | 1 box | |
| 104821-001 | 1 1/2 in. EVERLOC+ PEXa Sleeve | 10 | 30 | 24.95 | 0.055 | 1 box | |
| 104822-001 | 2 in. EVERLOC+ PEXa Sleeve | 5 | 15 | 29.48 | 0.065 | 1 box | |



| EVERLOC+ Straight Couplings | | | | | | | |
|-----------------------------|---|------------------|-----|-------------|------|---------------|--|
| Article No. | Description | Package Quantity | | Unit Weight | | Minimum Order | |
| | | Bag | Box | g | lb | | |
| 317138-001 | 3/8 x 3/8 in. EVERLOC+ LF Brass Coupling | - | 100 | 19.50 | 0.04 | 1 box | |
| 104824-001 | 1/2 x 1/2 in. EVERLOC+ Polymer Coupling | 10 | 100 | 4.08 | 0.01 | 1 bag | |
| 317142-001 | 5/8 x 5/8 in. EVERLOC+ LF Brass Coupling | - | 40 | 48.53 | 0.11 | 1 box | |
| 104825-001 | 3/4 x 3/4 in. EVERLOC+ Polymer Coupling | 10 | 50 | 12.25 | 0.03 | 1 bag | |
| 104826-001 | 1 x 1 in. EVERLOC+ Polymer Coupling | 10 | 50 | 22.23 | 0.05 | 1 bag | |
| 104827-001 | 1 1/4 x 1 1/4 in. EVERLOC+ Polymer Coupling | 1 | 10 | 40.37 | 0.09 | 1 bag | |
| 104828-001 | 1 1/2 x 1 1/2 in. EVERLOC+ Polymer Coupling | 1 | 10 | 71.21 | 0.16 | 1 bag | |
| 104829-001 | 2 x 2 in. EVERLOC+ Polymer Coupling | 1 | 10 | 125.19 | 0.28 | 1 bag | |



| EVERLOC+ Reducer Couplings | | | | | | | |
|----------------------------|--|------------------|-----|-------------|------|---------------|--|
| Article No. | Description | Package Quantity | | Unit Weight | | Minimum Order | |
| | | Bag | Box | g | lb | | |
| 104830-001 | 3/4 x 1/2 in. EVERLOC+ Polymer Coupling | 10 | 100 | 8.62 | 0.02 | 1 bag | |
| 426294-001 | 3/4 x 5/8 in. EVERLOC+ LF Brass Coupling | - | 20 | 68.0 | 0.15 | 1 box | |
| 426297-001 | 1 x 1/2 in. EVERLOC+ LF Brass Coupling | - | 10 | 90.7 | 0.20 | 1 box | |
| 104831-001 | 1 x 3/4 in. EVERLOC+ Polymer Coupling | 10 | 50 | 17.69 | 0.04 | 1 bag | |
| 425026-001 | 1 1/4 x 3/4 in. EVERLOC+ LF Brass Coupling | - | 10 | 151.36 | 0.33 | 1 box | |
| 104832-001 | 1 1/4 x 1 in. EVERLOC+ Polymer Coupling | 1 | 10 | 32.66 | 0.07 | 1 bag | |
| 425028-001 | 1 1/2 x 3/4 in. EVERLOC+ LF Brass Coupling | - | 6 | 225.84 | 0.50 | 1 box | |
| 104833-001 | 1 1/2 x 1 in. EVERLOC+ Polymer Coupling | 1 | 10 | 49.90 | 0.11 | 1 bag | |
| 422233-001 | 1 1/2 x 1 1/4 in. EVERLOC+ LF Brass Coupling | - | 6 | 304.36 | 0.67 | 1 box | |
| 425029-001 | 2 x 1/2 in. EVERLOC+ LF Brass Coupling | - | 2 | 363.01 | 0.80 | 1 box | |
| 425031-001 | 2 x 3/4 in. EVERLOC+ LF Brass Coupling | - | 2 | 374.63 | 0.83 | 1 box | |
| 317139-001 | 2 x 1 in. EVERLOC+ LF Brass Coupling | - | 2 | 395.59 | 0.87 | 1 box | |
| 317140-001 | 2 x 1 1/4 in. EVERLOC+ LF Brass Coupling | - | 2 | 424.66 | 0.94 | 1 box | |
| 317141-001 | 2 x 1 1/2 in. EVERLOC+ LF Brass Coupling | - | 2 | 480.07 | 1.00 | 1 box | |



EVERLOC+ Straight Tees (A x B x C)

| Article No. | Description | Package Quantity | | Unit Weight | | Minimum Order |
|-------------|--|------------------|-----|-------------|------|---------------|
| | | Bag | Box | g | lb | |
| 104835-001 | 1/2 x 1/2 x 1/2 in. EVERLOC+ Polymer Tee | 10 | 50 | 8.62 | 0.02 | 1 bag |
| 104836-001 | 3/4 x 3/4 x 3/4 in. EVERLOC+ Polymer Tee | 10 | 50 | 23.59 | 0.05 | 1 bag |
| 104837-001 | 1 x 1 x 1 in. EVERLOC+ Polymer Tee | 1 | 10 | 42.64 | 0.09 | 1 bag |
| 104838-001 | 1 1/4 x 1 1/4 x 1 1/4 in. EVERLOC+ Polymer Tee | 1 | 10 | 78.47 | 0.17 | 1 bag |
| 104839-001 | 1 1/2 x 1 1/2 x 1 1/2 in. EVERLOC+ Polymer Tee | 1 | 5 | 136.53 | 0.30 | 1 bag |
| 104840-001 | 2 x 2 x 2 in. EVERLOC+ Polymer Tee | 1 | 5 | 245.85 | 0.54 | 1 bag |



EVERLOC+ Run Reducing Tees (A x B x C)

| Article No. | Description | Package Quantity | | Unit Weight | | Minimum Order |
|-------------|---|------------------|-----|-------------|------|---------------|
| | | Bag | Box | g | lb | |
| 104841-001 | 3/4 x 1/2 x 3/4 in. EVERLOC+ Polymer Tee | 10 | 50 | 19.50 | 0.04 | 1 bag |
| 104842-001 | 1 x 3/4 x 1 in. EVERLOC+ Polymer Tee | 5 | 25 | 37.65 | 0.08 | 1 bag |
| 317143-001 | 1 1/4 x 1 x 1 1/4 in. EVERLOC+ LF Brass Tee | - | 2 | 328.85 | 0.73 | 1 box |
| 317144-001 | 1 1/2 x 1 x 1 1/2 in. EVERLOC+ LF Brass Tee | - | 2 | 517.09 | 1.14 | 1 box |
| 317145-001 | 1 1/2 x 1 1/4 x 1 1/2 in. EVERLOC+ LF Brass Tee | - | 2 | 553.38 | 1.22 | 1 box |
| 317146-001 | 2 x 1 1/4 x 2 in. EVERLOC+ LF Brass Tee | - | 1 | 830.07 | 1.83 | 1 box |
| 317147-001 | 2 x 1 1/2 x 2 in. EVERLOC+ LF Brass Tee | - | 1 | 898.11 | 1.98 | 1 box |



EVERLOC+ Branch Reducing Tees (A x B x C)

| Article No. | Description | Package Quantity | | Unit Weight | | Minimum Order |
|-------------|---|------------------|-----|-------------|------|---------------|
| | | Bag | Box | g | lb | |
| 104844-001 | 3/4 x 3/4 x 1/2 in. EVERLOC+ Polymer Tee | 10 | 50 | 18.14 | 0.04 | 1 bag |
| 104846-001 | 1 x 1 x 1/2 in. EVERLOC+ Polymer Tee | 5 | 25 | 29.48 | 0.07 | 1 bag |
| 104845-001 | 1 x 1 x 3/4 in. EVERLOC+ Polymer Tee | 5 | 25 | 35.83 | 0.08 | 1 bag |
| 424991-001 | 1 1/4 x 1 1/4 x 1/2 in. EVERLOC+ LF Brass Tee | - | 2 | 257.30 | 0.57 | 1 box |
| 322832-001 | 1 1/4 x 1 1/4 x 3/4 in. EVERLOC+ LF Brass Tee | - | 2 | 283.60 | 0.63 | 1 box |
| 104847-001 | 1 1/4 x 1 1/4 x 1 in. EVERLOC+ Polymer Tee | 1 | 10 | 65.77 | 0.15 | 1 bag |
| 425024-001 | 1 1/2 x 1 1/2 x 1/2 in. EVERLOC+ LF Brass Tee | - | 2 | 394.15 | 0.87 | 1 box |
| 322833-001 | 1 1/2 x 1 1/2 x 3/4 in. EVERLOC LF Brass Tee | - | 2 | 424.33 | 0.94 | 1 box |
| 104848-001 | 1 1/2 x 1 1/2 x 1 in. EVERLOC+ Polymer Tee | 1 | 5 | 102.51 | 0.23 | 1 bag |
| 317149-001 | 1 1/2 x 1 1/2 x 1 1/4 in. EVERLOC+ LF Brass Tee | - | 2 | 535.24 | 1.18 | 1 box |
| 424995-001 | 2 x 2 x 1/2 in. EVERLOC+ LF Brass Tee | - | 1 | 662.03 | 1.46 | 1 box |
| 322834-001 | 2 x 2 x 3/4 in. EVERLOC+ LF Brass Tee | - | 2 | 696.39 | 1.54 | 1 box |
| 104849-001 | 2 x 2 x 1 in. EVERLOC+ Polymer Tee | 1 | 5 | 168.74 | 0.37 | 1 bag |
| 317150-001 | 2 x 2 x 1 1/4 in. EVERLOC+ LF Brass Tee | - | 1 | 757.50 | 1.67 | 1 box |
| 317151-001 | 2 x 2 x 1 1/2 in. EVERLOC+ LF Brass Tee | - | 1 | 852.75 | 1.88 | 1 box |



| EVERLOC+ Branch and Run Reducing Tees (A x B x C) | | | | | | | |
|---|---|------------------|-----|-------------|------|---------------|--|
| Article No. | Description | Package Quantity | | Unit Weight | | Minimum Order | |
| | | Bag | Box | g | lb | | |
| 104851-001 | 3/4 x 1/2 x 1/2 in. EVERLOC+ Polymer Tee | 10 | 50 | 13.61 | 0.03 | 1 bag | |
| 104852-001 | 1 x 3/4 x 3/4 in. EVERLOC+ Polymer Tee | 5 | 25 | 30.84 | 0.07 | 1 bag | |
| 424989-001 | 1 1/4 x 1 x 3/4 in. EVERLOC+ LF Brass Tee | - | 2 | 244.68 | 0.54 | 1 box | |
| 104853-001 | 1 1/4 x 1 x 1 in. EVERLOC+ Polymer Tee | 1 | 10 | 56.25 | 0.12 | 1 bag | |
| 424992-001 | 1 1/2 x 1 x 3/4 in. EVERLOC+ LF Brass Tee | - | 2 | 324.03 | 0.71 | 1 box | |
| 317152-001 | 1 1/2 x 1 x 1 in. EVERLOC+ LF Brass Tee | - | 2 | 371.04 | 0.82 | 1 box | |
| 425025-001 | 1 1/2 x 1 1/4 x 3/4 in. EVERLOC+ LF Brass Tee | - | 2 | 365.16 | 0.81 | 1 box | |
| 317153-001 | 1 1/2 x 1 1/4 x 1 in. EVERLOC+ LF Brass Tee | - | 2 | 404.60 | 0.89 | 1 box | |
| 317154-001 | 1 1/2 x 1 1/4 x 1 1/4 in. EVERLOC+ LF Brass Tee | - | 2 | 462.66 | 1.02 | 1 box | |
| 424994-001 | 2 x 1 1/2 x 3/4 in. EVERLOC+ LF Brass Tee | - | 1 | 578.65 | 1.28 | 1 box1 | |
| 317156-001 | 2 x 1 1/2 x 1 in. EVERLOC+ LF Brass Tee | - | 1 | 607.81 | 1.34 | 1 box | |
| 317161-001 | 2 x 1 1/2 x 1 1/4 in. EVERLOC+ LF Brass Tee | - | 1 | 666.78 | 1.47 | 1 box | |
| 317155-001 | 2 x 1 1/2 x 1 1/2 in. EVERLOC+ LF Brass Tee | - | 1 | 762.03 | 1.68 | 1 box | |



| EVERLOC+ Bullhead Tees (A x B x C) | | | | | | | |
|------------------------------------|--|------------------|-----|-------------|------|---------------|--|
| Article No. | Description | Package Quantity | | Unit Weight | | Minimum Order | |
| | | Bag | Box | g | lb | | |
| 104854-001 | 1/2 x 1/2 x 3/4 in. EVERLOC+ Polymer Tee | 10 | 50 | 14.06 | 0.03 | 1 bag | |
| 104855-001 | 3/4 x 3/4 x 1 in. EVERLOC+ Polymer Tee | 5 | 25 | 30.84 | 0.07 | 1 bag | |



| EVERLOC+ 90° Elbows, PEX to PEX | | | | | | | |
|---------------------------------|--|------------------|-----|-------------|------|---------------|--|
| Article No. | Description | Package Quantity | | Unit Weight | | Minimum Order | |
| | | Bag | Box | g | lb | | |
| 104859-001 | 1/2 x 1/2 in. EVERLOC+ Polymer Elbow | 15 | 75 | 6.35 | 0.01 | 1 bag | |
| 317163-001 | 5/8 x 5/8 in. EVERLOC+ LF Brass Elbow | - | 50 | 67.13 | 0.15 | 1 box | |
| 104860-001 | 3/4 x 3/4 in. EVERLOC+ Polymer Elbow | 10 | 50 | 17.69 | 0.04 | 1 bag | |
| 104861-001 | 1 x 1 in. EVERLOC+ Polymer Elbow | 5 | 30 | 33.11 | 0.07 | 1 bag | |
| 104862-001 | 1 1/4 x 1 1/4 in. EVERLOC+ Polymer Elbow | 1 | 10 | 60.78 | 0.13 | 1 bag | |
| 104863-001 | 1 1/2 x 1 1/2 in. EVERLOC+ Polymer Elbow | 1 | 10 | 102.97 | 0.23 | 1 bag | |
| 104864-001 | 2 x 2 in. EVERLOC+ Polymer Elbow | 1 | 5 | 187.33 | 0.41 | 1 bag | |



| EVERLOC+ 45° Elbows, PEX to PEX | | | | | | | |
|---------------------------------|---|--------------|-------------|------|---------------|--|--|
| Article No. | Description | Box Quantity | Unit Weight | | Minimum Order | | |
| | | | g | lb | | | |
| 425021-001 | 1 1/2 x 1 1/2 in. EVERLOC+ LF Brass 45° Elbow | 2 | 364.48 | 0.80 | 1 box | | |
| 425022-001 | 2 x 2 in. EVERLOC+ LF Brass 45° Elbow | 2 | 642.83 | 1.42 | 1 box | | |



| EVERLOC+ 90° Elbows, PEX to Copper | | | | | |
|------------------------------------|--|--------------|---------------|----------------|---------------|
| Article No. | Description | Box Quantity | Unit Weight g | Unit Weight lb | Minimum Order |
| 317164-001 | 1/2 x 1/2 in. C Male or 3/8 in. C Female EVERLOC+ LF Brass Elbow | 50 | 37.65 | 0.08 | 1 box |
| 317165-001 | 1/2 x 1/2 in. C Female EVERLOC+ LF Brass Elbow | 25 | 66.28 | 0.15 | 1 box |
| 317166-001 | 3/4 x 3/4 in. C Male EVERLOC+ LF Brass Elbow | 25 | 90.26 | 0.20 | 1 box |
| 317167-001 | 3/4 x 3/4 in. C Female EVERLOC+ LF Brass Elbow | 20 | 115.21 | 0.25 | 1 box |



| EVERLOC+ 90° Elbows, PEX to FPT/MPT | | | | | |
|-------------------------------------|--|--------------|---------------|----------------|---------------|
| Article No. | Description | Box Quantity | Unit Weight g | Unit Weight lb | Minimum Order |
| 317170-001 | 1/2 x 1/2 in. FPT EVERLOC+ LF Brass Drop Ear Elbow | 20 | 85.73 | 0.19 | 1 box |
| 317168-001 | 1/2 x 1/2 in. MPT EVERLOC+ LF Brass Drop Ear Elbow | 20 | 85.73 | 0.19 | 1 box |
| 422006-001 | 3/4 x 3/4 in. FPT EVERLOC+ LF Brass Drop Ear Elbow | 8 | 158.76 | 0.35 | 1 box |
| 425476-001 | 3/4 x 3/4 in. MPT EVERLOC+ LF Brass Drop Ear Elbow | 10 | 129.85 | 0.29 | 1 box |
| 317169-001 | 3/4 x 3/4 in. MPT EVERLOC+ LF Brass Elbow | 10 | 99.79 | 0.22 | 1 box |
| 422007-001 | 1 x 1 in. FPT EVERLOC+ LF Brass Drop Ear Elbow | 5 | 250.62 | 0.55 | 1 box |



| EVERLOC+ Adapters, PEX to Copper | | | | | |
|----------------------------------|--|--------------|---------------|----------------|---------------|
| Article No. | Description | Box Quantity | Unit Weight g | Unit Weight lb | Minimum Order |
| 317184-001 | 1/2 x 1/2 in. C Female EVERLOC+ LF Brass Adapter | 35 | 28.58 | 0.06 | 1 box |
| 317185-001 | 1/2 x 1/2 in. C Male or 3/8 in. C Female EVERLOC+ LF Brass Adapter | 75 | 22.68 | 0.05 | 1 box |
| 322835-001 | 1/2 x 3/4 in. C Female EVERLOC+ LF Brass Adapter | 20 | 44.39 | 0.06 | 1 box |
| 325164-001 | 3/4 x 1/2 in. C Female EVERLOC+ LF Brass Adapter | 20 | 45.30 | 0.10 | 1 box |
| 325165-001 | 3/4 x 1/2 in. C Male EVERLOC+ LF Brass Adapter | 20 | 44.76 | 0.10 | 1 box |
| 317189-001 | 3/4 x 1 in. C Female EVERLOC+ LF Brass Adapter | 5 | 92.99 | 0.21 | 1 box |
| 317186-001 | 3/4 x 3/4 in. C Male EVERLOC+ LF Brass Adapter | 30 | 69.85 | 0.15 | 1 box |
| 317187-001 | 3/4 x 3/4 in. C Female EVERLOC+ LF Brass Adapter | 20 | 95.25 | 0.21 | 1 box |
| 317190-001 | 1 x 1 in. C Male EVERLOC+ LF Brass Adapter | 15 | 115.21 | 0.25 | 1 box |
| 317191-001 | 1 x 1 in. C Female EVERLOC+ LF Brass Adapter | 15 | 142.43 | 0.31 | 1 box |
| 317192-001 | 1 1/4 x 1 1/4 in. C Male EVERLOC+ LF Brass Adapter | 10 | 177.81 | 0.39 | 1 box |
| 317193-001 | 1 1/4 x 1 1/4 in. C Female EVERLOC+ LF Brass Adapter | 10 | 215.46 | 0.48 | 1 box |
| 317194-001 | 1 1/2 x 1 1/2 in. C Male EVERLOC+ LF Brass Adapter | 5 | 282.59 | 0.62 | 1 box |
| 317195-001 | 1 1/2 x 1 1/2 in. C Female EVERLOC+ LF Brass Adapter | 5 | 494.42 | 1.09 | 1 box |
| 317196-001 | 2 x 2 in. C Male EVERLOC+ LF Brass Adapter | 2 | 585.13 | 1.29 | 1 box |
| 317197-001 | 2 x 2 in. C Female EVERLOC+ LF Brass Adapter | 2 | 721.21 | 1.59 | 1 box |



EVERLOC+ MPT Adapters, PEX to MPT

| Article No. | Description | Box | | Unit Weight | | Minimum Order |
|-------------|---|----------|--|-------------|------|---------------|
| | | Quantity | | g | lb | |
| 317174-001 | 3/8 x 1/2 in. MPT EVERLOC+ LF Brass Adapter | 40 | | 38.56 | 0.09 | 1 box |
| 317171-001 | 1/2 x 1/2 in. MPT EVERLOC+ LF Brass Adapter | 40 | | 44.91 | 0.10 | 1 box |
| 317175-001 | 5/8 x 1/2 in. MPT EVERLOC+ LF Brass Adapter | 30 | | 57.15 | 0.13 | 1 box |
| 317176-001 | 5/8 x 3/4 in. MPT or 1/2 in. C Female EVERLOC+ LF Brass Adapter | 30 | | 84.82 | 0.19 | 1 box |
| 317172-001 | 3/4 x 3/4 in. MPT EVERLOC+ LF Brass Adapter | 20 | | 76.66 | 0.17 | 1 box |
| 317177-001 | 3/4 x 1 in. MPT EVERLOC+ LF Brass Adapter | 20 | | 124.74 | 0.28 | 1 box |
| 323708-001 | 1 x 3/4 in. MPT EVERLOC+ LF Brass Adapter | 10 | | 108.47 | 0.24 | 1 box |
| 317178-001 | 1 x 1 in. MPT EVERLOC+ LF Brass Adapter | 15 | | 148.32 | 0.33 | 1 box |
| 317179-001 | 1 1/4 x 1 1/4 in. MPT EVERLOC+ LF Brass Adapter | 10 | | 246.30 | 0.54 | 1 box |
| 317180-001 | 1 1/2 x 1 1/2 in. MPT EVERLOC+ LF Brass Adapter | 5 | | 373.76 | 0.82 | 1 box |
| 317181-001 | 2 x 2 in. MPT EVERLOC+ LF Brass Adapter | 2 | | 576.06 | 1.27 | 1 box |



EVERLOC+ FPT Adapters, PEX to FPT

| Article No. | Description | Box | | Unit Weight | | Minimum Order |
|-------------|---|----------|--|-------------|------|---------------|
| | | Quantity | | g | lb | |
| 317173-001 | 1/2 x 1/2 in. FPT EVERLOC+ LF Brass Adapter | 40 | | 51.26 | 0.11 | 1 box |
| 317182-001 | 3/4 x 3/4 in. FPT EVERLOC+ LF Brass Adapter | 20 | | 87.54 | 0.19 | 1 box |
| 329227-001 | 1 x 3/4 in. FPT EVERLOC+ LF Brass Adapter | 10 | | 116.01 | 0.26 | 1 box |
| 317183-001 | 1 x 1 in. FPT EVERLOC+ LF Brass Adapter | 10 | | 143.34 | 0.32 | 1 box |



EVERLOC+ Plugs

| Article No. | Description | Package Quantity | | Unit Weight | | Minimum Order |
|-------------|----------------------------------|------------------|-----|-------------|-------|---------------|
| | | Bag | Box | g | lb | |
| 104856-001 | 1/2 in. EVERLOC+ Polymer Plug | 30 | 150 | 2.27 | 0.005 | 1 bag |
| 317157-001 | 5/8 in. EVERLOC+ LF Brass Plug | - | 60 | 28.94 | 0.064 | 1 box |
| 104857-001 | 3/4 in. EVERLOC+ Polymer Plug | 20 | 100 | 6.35 | 0.014 | 1 bag |
| 104858-001 | 1 in. EVERLOC+ Polymer Plug | 10 | 50 | 11.34 | 0.025 | 1 bag |
| 317158-001 | 1 1/4 in. EVERLOC+ LF Brass Plug | - | 20 | 133.57 | 0.295 | 1 box |
| 317159-001 | 1 1/2 in. EVERLOC+ LF Brass Plug | - | 20 | 214.15 | 0.472 | 1 box |
| 317160-001 | 2 in. EVERLOC+ LF Brass Plug | - | 10 | 388.28 | 0.856 | 1 box |



EVERLOC+ LF Brass Swivel Adapters , PEX to NPS

| Article No. | Description | Box | | Unit Weight | | Minimum Order |
|-------------|---|----------|--|-------------|------|---------------|
| | | Quantity | | g | lb | |
| 418463-001 | 1/2 in. x 1/2 NPS EVERLOC+ LF Brass Female Swivel Adapter | 25 | | 58.97 | 0.13 | 1 box |
| 418464-001 | 3/4 in. x 3/4 NPS EVERLOC+ LF Brass Female Swivel Adapter | 20 | | 99.79 | 0.22 | 1 box |

3. EVERLOC+ MULTI-PORT TEES AND MANIFOLDS



| EVERLOC+ Polymer Closed-end Multi-port Tees | | | | | |
|---|--|--------------|-------------|-------|---------------|
| Article No. | Description | Box Quantity | Unit Weight | | Minimum Order |
| | | | g | lb | |
| 104867-001 | 3/4 in. Inlet, (3) 1/2 in. Outlets, EVERLOC+ Polymer Closed-end Multi-port Tee | 15 | 25.40 | 0.056 | 1 box |
| 104868-001 | 3/4 in. Inlet, (4) 1/2 in. Outlets, EVERLOC+ Polymer Closed-end Multi-port Tee | 15 | 32.21 | 0.071 | 1 box |



| EVERLOC+ Polymer Flow-through Multi-port Tees | | | | | |
|---|---|--------------|-------------|-------|---------------|
| Article No. | Description | Box Quantity | Unit Weight | | Minimum Order |
| | | | g | lb | |
| 104869-001 | 3/4 x 3/4 in. Inlets, (2) 1/2 in. Outlets, EVERLOC+ Polymer Flow-through Multi-port Tee | 15 | 24.49 | 0.054 | 1 box |
| 104870-001 | 3/4 x 3/4 in. Inlets, (3) 1/2 in. Outlets, EVERLOC+ Polymer Flow-through Multi-port Tee | 15 | 31.29 | 0.069 | 1 box |
| 104871-001 | 3/4 x 3/4 in. Inlets, (4) 1/2 in. Outlets, EVERLOC+ Polymer Flow-through Multi-port Tee | 15 | 37.19 | 0.082 | 1 box |



| EVERLOC+ Polymer Elbow Flow-through Multi-port Tees | | | | | |
|---|---|--------------|-------------|-------|---------------|
| Article No. | Description | Box Quantity | Unit Weight | | Minimum Order |
| | | | g | lb | |
| 104872-001 | 3/4 x 3/4 in. Inlets, (3) 1/2 in. Outlets, EVERLOC+ Polymer Elbow Flow-through Multi-port Tee | 15 | 35.83 | 0.079 | 1 box |
| 104873-001 | 3/4 x 3/4 in. Inlets, (4) 1/2 in. Outlets, EVERLOC+ Polymer Elbow Flow-through Multi-port Tee | 15 | 42.18 | 0.093 | 1 box |

Copper multi-port tees and manifolds are 1 in. Type L copper with EVERLOC+ LF brass fittings brazed into the header and comply with the lead-free requirements of the U.S. Safe Drinking Water Act.



| EVERLOC+ LF Brass Closed-end Copper Multi-port Tees | | | | | |
|---|--|-------------------------|------------------|-------------------|------------------|
| Article No. | Description | Package Quantity Box | Unit Weight g | Unit Weight lb | Minimum Order |
| 104892-001 | 1 in. Inlet, (4) 1/2 in. Outlets, EVERLOC+ LF Brass Closed-end Multi-port Tee | 10 | 281.47 | 0.62 | 1 box |
| 104893-001 | 3/4 in. Inlet, (6) 1/2 in. Outlets, EVERLOC+ LF Brass Closed-end Multi-port Tee | 10 | 391.30 | 0.86 | 1 box |
| 104894-001 | 1 in. Inlet, (6) 1/2 in. Outlets, EVERLOC+ LF Brass Closed-end Multi-port Tee | 10 | 392.96 | 0.87 | 1 box |



| EVERLOC+ LF Brass Flow-through Copper Multi-port Tees | | | | | |
|---|---|-------------------------|------------------|-------------------|------------------|
| Article No. | Description | Package Quantity Box | Unit Weight g | Unit Weight lb | Minimum Order |
| 104895-001 | 1 x 3/4 in. Inlets, (4) 1/2 in. Outlets, EVERLOC+ LF Brass Flow-through Multi-port Tee | 10 | 317.89 | 0.70 | 1 box |
| 104896-001 | 1 x 1 in. Inlets, (4) 1/2 in. Outlets, EVERLOC+ LF Brass Flow-through Multi-port Tee | 10 | 341.69 | 0.75 | 1 box |
| 104897-001 | 3/4 x 3/4 in. Inlets, (6) 1/2 in. Outlets, EVERLOC+ LF Brass Flow-through Multi-port Tee | 10 | 375.66 | 0.83 | 1 box |
| 104898-001 | 1 x 3/4 in. Inlets, (6) 1/2 in. Outlets, EVERLOC+ LF Brass Flow-through Multi-port Tee | 10 | 402.64 | 0.89 | 1 box |



| EVERLOC+ LF Brass Horizontal Copper Multi-port Tees | | | | | |
|---|---|-------------------------|------------------|-------------------|------------------|
| Article No. | Description | Package Quantity Box | Unit Weight g | Unit Weight lb | Minimum Order |
| 104899-001 | 3/4 x 3/4 in. Inlets, (4) 1/2 in. Outlets, EVERLOC+ LF Brass Horizontal Multi-port Tee | 10 | 368.07 | 0.81 | 1 box |



| EVERLOC+ LF Brass Cut-to-Length Copper Manifolds | | | | | |
|--|---|-------------------------|-------------------|-------------------|------------------|
| Article No. | Description | Package Quantity Box | Unit Weight kg | Unit Weight lb | Minimum Order |
| 104902-001 | 1 in. Header, (24) 1/2 in. Outlets, EVERLOC+ LF Brass Cut-to-Length Manifold | 5 | 2.06 | 4.54 | 1 box |

4. EVERLOC+ COMPRESSION-SLEEVE TOOLS



EVERLOC+ Power Tool Standard Kit

| Article No. | Description | Package Quantity | Unit Weight kg | Unit Weight lb | Minimum Order |
|-------------|---|------------------|-------------------|-------------------|---------------|
| 105107-003 | EVERLOC+ Power Tool Standard Kit (1/2, 3/4 and 1 in.) | 1 | 6.8 | 15 | 1 |

The EVERLOC+ power tool standard kit is specifically designed for assembling 1/2, 3/4 and 1 in. EVERLOC+ fittings. The tool kit comes complete with the following:

- EVERLOC+ power tool base unit (Art. 105106-003)
- EVERLOC+ expander adapter QC (Art. 105167-001)
- EVERLOC+ expander heads QC: 1/2 in. (Art. 105074-001), 3/4 in. (Art. 105076-001), 1 in. (Art. 105077-001)
- EVERLOC+ compression jaws (set): 1/2 in. (Art. 105084-001), 3/4 in. (Art. 105088-001), 1 in. (Art. 105091-001)
- (2) DeWALT® 12V Li-ion batteries (DCB127)
- DeWALT® 12V/20V Li-ion battery charger, 120VAC (DCB107)
- RAUCUTTER (Art. 137495)
- Tool case (Art. 318135-003)
- Grease (Art. 224989-001) and cleaning brush (Art. 224988-001)
- Operating instructions



DeWALT® and the DeWALT Logo are trademarks of Stanley Black & Decker, Inc., or an affiliate thereof and are used under license.

! Read the instruction manual thoroughly before use and follow all safety precautions - improper use can cause serious personal injury.



EVERLOC+ Expander Heads

| Article No. | Description | Package Quantity | Unit Weight g | Unit Weight lb | Minimum Order |
|-------------|---|------------------|------------------|-------------------|---------------|
| 105073-001 | 3/8 in. EVERLOC+ Expander Head (Quick Change) | 1 | 162 | 0.36 | 1 ea |
| 105074-001 | 1/2 in. EVERLOC+ Expander Head (Quick Change) | 1 | 159 | 0.35 | 1 ea |
| 105075-001 | 5/8 in. EVERLOC+ Expander Head (Quick Change) | 1 | 152 | 0.34 | 1 ea |
| 105076-001 | 3/4 in. EVERLOC+ Expander Head (Quick Change) | 1 | 150 | 0.33 | 1 ea |
| 105077-001 | 1 in. EVERLOC+ Expander Head (Quick Change) | 1 | 181 | 0.40 | 1 ea |



EVERLOC+ Compression Jaws

| Article No. | Description | Package Quantity | Unit Weight g | Unit Weight lb | Minimum Order |
|-------------|---|------------------|------------------|-------------------|---------------|
| 105083-001 | 3/8 in. EVERLOC+ Compression Jaws (set) | 1 set | 251 | 0.55 | 1 set |
| 105084-001 | 1/2 in. EVERLOC+ Compression Jaws (set) | 1 set | 272 | 0.60 | 1 set |
| 105087-001 | 5/8 in. EVERLOC+ Compression Jaws (set) | 1 set | 288 | 0.63 | 1 set |
| 105088-001 | 3/4 in. EVERLOC+ Compression Jaws (set) | 1 set | 295 | 0.65 | 1 set |
| 105091-001 | 1 in. EVERLOC+ Compression Jaws (set) | 1 set | 386 | 0.85 | 1 set |



| EVERLOCC+ XL Power Tool Standard Kit | | | | | |
|--------------------------------------|--|------------------|-------------------|-------------------|---------------|
| Article No. | Description | Package Quantity | Unit Weight kg | Unit Weight lb | Minimum Order |
| 105733-002 | EVERLOCC+ XL Power Tool Kit (1 1/4, 1 1/2 and 2 in.) | 1 | 19.5 | 43 | 1 |

The EVERLOCC+ XL power tool standard kit is specifically designed for assembling 1 1/4, 1 1/2 and 2 in. EVERLOCC+ fittings. The tool kit comes complete with the following:

- EVERLOCC+ XL power tool base unit (Art. 105994-002)
- EVERLOCC+ XL expander adapter QC (Art. 105744-001)
- EVERLOCC+ XL expander heads QC: 1 1/4 in. (Art. 105078-001), 1 1/2 in. (Art. 105079-001), 2 in. (Art. 105080-001)
- EVERLOCC+ XL compression jaws (set): 1 1/4 in. (Art. 105094-001), 1 1/2 in. (Art. 105096-001), 2 in. (Art. 105098-001)
- (2) MAKITA® 18V Li-ion batteries (BL1840B)
- MAKITA® 18V Li-ion battery charger, 120VAC (DC18RC)
- Large ratchet cutter (Art. 131558-001)
- Tool case (Art. 321251-001)
- Grease (Art. 224989-001), cleaning brush (Art. 224988-001) and operating instructions

! Read the instruction manual thoroughly before use and follow all safety precautions - improper use can cause serious personal injury.

Accessory item sold separately:
 - EVERLOCC+ XL Power Tool Kit Trolley (Art. 324373-001)



| EVERLOCC+ XL Expander Tool Standard Kit | | | | | |
|---|---|------------------|-------------------|-------------------|---------------|
| Article No. | Description | Package Quantity | Unit Weight kg | Unit Weight lb | Minimum Order |
| 106096-002 | EVERLOCC+ XL Expander Tool Kit (1 1/4, 1 1/2 and 2 in.) | 1 | 5.4 | 12 | 1 |

The EVERLOCC+ XL expander tool standard kit is specifically designed for the expansion of 1 1/4, 1 1/2 and 2 in. EVERLOCC+ fittings. The tool kit comes complete with the following:

- EVERLOCC+ XL expander tool base unit (Art. 105419-002)
- MAKITA® 18V Li-ion battery (BL1840B)
- Tool case (Art. 322285-001)
- Grease (Art. 224989-001) and cleaning brush (Art. 224988-001)
- Operating instructions

! Read the instruction manual thoroughly before use and follow all safety precautions - improper use can cause serious personal injury.



| EVERLOCC+ XL Expander Heads | | | | | |
|-----------------------------|---|------------------|------------------|-------------------|---------------|
| Article No. | Description | Package Quantity | Unit Weight g | Unit Weight lb | Minimum Order |
| 105078-001 | 1 1/4 in. EVERLOCC+ XL Expander Head (Quick Change) | 1 | 590 | 1.30 | 1 ea |
| 105079-001 | 1 1/2 in. EVERLOCC+ XL Expander Head (Quick Change) | 1 | 667 | 1.47 | 1 ea |
| 105080-001 | 2 in. EVERLOCC+ XL Expander Head (Quick Change) | 1 | 748 | 1.65 | 1 ea |



| EVERLOCC+ XL Compression Jaws | | | | | |
|-------------------------------|---|------------------|------------------|-------------------|---------------|
| Article No. | Description | Package Quantity | Unit Weight g | Unit Weight lb | Minimum Order |
| 105094-001 | 1 1/4 in. EVERLOCC+ XL Compression Jaws (set) | 1 set | 1134 | 2.50 | 1 set |
| 105096-001 | 1 1/2 in. EVERLOCC+ XL Compression Jaws (set) | 1 set | 1179 | 2.60 | 1 set |
| 105098-001 | 2 in. EVERLOCC+ XL Compression Jaws (set) | 1 set | 1270 | 2.80 | 1 set |

5. EVERLOC+ VALVES AND BOXES



Straight Ball Valves, EVERLOC+ to Copper

| Article No. | Description | Package Quantity | | Unit Weight | | Minimum Order |
|-------------|---|------------------|--|-------------|------|---------------|
| | | Box | | g | lb | |
| 418433-001 | 1/2 in. EVERLOC+ x 1/2 in. C Female Valve | 18 | | 120 | 0.27 | 1 box |
| 418429-001 | 3/4 in. EVERLOC+ x 3/4 in. C Female Valve | 8 | | 205 | 0.45 | 1 box |

Make solder connection before connecting RAUPEX pipe.



Straight Ball Valves, EVERLOC+ to EVERLOC+

| Article No. | Description | Package Quantity | | Unit Weight | | Minimum Order |
|-------------|------------------------------|------------------|--|-------------|------|---------------|
| | | Box | | g | lb | |
| 418435-001 | 1/2 x 1/2 in. EVERLOC+ Valve | 18 | | 136 | 0.30 | 1 box |
| 418434-001 | 3/4 x 3/4 in. EVERLOC+ Valve | 8 | | 215 | 0.47 | 1 box |



Straight Ball Valves, EVERLOC+ to Compression

| Article No. | Description | Package Quantity | | Unit Weight | | Minimum Order |
|-------------|---|------------------|--|-------------|------|---------------|
| | | Box | | g | lb | |
| 418437-001 | 1/2 in. EVERLOC+ x 3/8 in. Compression Straight Valve, Plated | 18 | | 136 | 0.30 | 1 box |

Includes 3/8 in. compression nut and ferrule.



Angle Ball Valves, EVERLOC+ to Compression

| Article No. | Description | Package Quantity | | Unit Weight | | Minimum Order |
|-------------|--|------------------|--|-------------|------|---------------|
| | | Box | | g | lb | |
| 418438-001 | 1/2 in. EVERLOC+ x 3/8 in. Compression Angle Valve, Plated | 18 | | 136 | 0.30 | 1 box |

Includes 3/8 in. compression nut and ferrule.



Dishwasher Valves, EVERLOC+ to Compression

| Article No. | Description | Package Quantity | | Unit Weight | | Minimum Order |
|-------------|---|------------------|-----|-------------|------|---------------|
| | | Bag | Box | g | lb | |
| 418428-001 | 1/2 in. EVERLOC+ x 3/8 in. Compression (Dual) Valve, Plated | 1 | 8 | 150 | 0.33 | 1 box |

Includes (2) compression nuts, (2) ferrules, (1) brass plug.



| EVERLOC+ Washer Outlet Box | | | | | |
|----------------------------|---|-------------------------|---------------------|------|------------------|
| Article No. | Description | Package Quantity Box | Unit Weight g lb | | Minimum Order |
| 418457-001 | 1/2 in. EVERLOC+ Washing Machine Outlet Box | 12 | 303.91 | 0.67 | 1 box |



| EVERLOC+ Ice Maker Box | | | | | |
|------------------------|---------------------------------------|-------------------------|---------------------|------|------------------|
| Article No. | Description | Package Quantity Box | Unit Weight g lb | | Minimum Order |
| 418454-001 | 1/2 in. EVERLOC+ Ice Maker Outlet Box | 6 | 151.04 | .333 | 1 box |

6. EVERLOC+ COPPER ELLS



Tub/Shower Diverter Ells

| Article No. | Description | Box Quantity | Unit Weight g | Unit Weight lb | Minimum Order |
|-------------|---|--------------|------------------|-------------------|---------------|
| 418664-001 | Tub/Shower Diverter Ell, 1/2 in. EVERLOC+ | 75 | 132 | 0.29 | 1 box |



Closed-end Stub Out Ells

| Article No. | Description | Box Quantity | Unit Weight g | Unit Weight lb | Minimum Order |
|-------------|---|--------------|------------------|-------------------|---------------|
| 418665-001 | Stub Out Ell, 1/2 in. EVERLOC+ (8 in. L) | 40 | 140 | 0.31 | 1 box |
| 424864-001 | Stub Out Ell, 1/2 in. EVERLOC+ w/Mounting Plate (8 in. L) | 25 | 160 | 0.35 | 1 box |
| 418668-001 | Stub Out Ell, 3/4 in. EVERLOC+ (8 in. L) | 20 | 361 | 0.79 | 1 box |
| 329229-001 | Stub Out Ell, 3/4 in. EVERLOC+ w/Mounting Plate (8 in. L) | 20 | 380 | 0.84 | 1 box |



Straight Copper Stubs

| Article No. | Description | Box Quantity | Unit Weight g | Unit Weight lb | Minimum Order |
|-------------|--|--------------|------------------|-------------------|---------------|
| 418669-001 | 8 in. Straight Copper Stub, 1/2 in. EVERLOC+ | 50 | 153 | 0.34 | 1 box |

7. PIPE SUPPORTS AND PROTECTION



| Steel Support Bends | | | | | | |
|---------------------|------------------------------------|------------------|--------|-------------|------|---------------|
| Article No. | Description | Package Quantity | | Unit Weight | | Minimum Order |
| | | Box | Carton | g | lb | |
| 258408 | 3/8 and 1/2 in. Steel Support Bend | 10 | 50 | 50 | 0.10 | 1 box |
| 257249 | 3/4 in. Steel Support Bend | 10 | 50 | 150 | 0.32 | 1 box |
| 261153 | 1 in. Steel Support Bend | 5 | 50 | 380 | 0.84 | 1 box |



| Steel Support Bends With Mounting Plate | | | | | |
|---|--|--------------|---------------|----------------|---------------|
| Article No. | Description | Box Quantity | Unit Weight g | Unit Weight lb | Minimum Order |
| 266597 | 1/2 in. Steel Support Bend w/ Mounting Plate | 25 | 69 | 0.15 | 1 box |



| Polymer Support Bends With Screw Hole | | | | | |
|---------------------------------------|--------------------------------------|--------------|---------------|----------------|---------------|
| Article No. | Description | Box Quantity | Unit Weight g | Unit Weight lb | Minimum Order |
| 266207 | 3/8 and 1/2 in. Polymer Support Bend | 50 | 40 | 0.08 | 1 box |
| 266227 | 3/4 in. Polymer Support Bend | 50 | 70 | 0.16 | 1 box |
| 266237 | 1 in. Polymer Support Bend | 50 | 100 | 0.22 | 1 box |
| 266727 | 1 1/4 in. Polymer Support Bend | 50 | 200 | 0.44 | 1 box |



| PVC Bend Guides | | | | | |
|-----------------|----------------------------------|------------------|---------------|----------------|---------------|
| Article No. | Description | Package Quantity | Unit Weight g | Unit Weight lb | Minimum Order |
| 266170-001 | 3/8 and 1/2 in. PVC Bend Guide | 40 | 64 | 0.14 | 1 box |
| 266175-001 | 5/8 and 3/4 in. PVC Bend Guide | 30 | 142 | 0.31 | 1 box |
| 266180 | 1 in. Schedule 40 PVC Bend Guide | 20 | 378 | 0.83 | 1 box |



| Galvanized Support Channels | | | | | | | |
|-----------------------------|---------------------------------|--------|-------|------------------|-------------|-------|---------------|
| Article No. | Description | Length | | Package Quantity | Unit Weight | | Minimum Order |
| | | m | ft | | kg | lb | |
| 225527-001 | 3/4 in. Steel Support Channel | 5.986 | 19.63 | 10 pcs/bundle | 2.14 | 4.71 | 1 bundle |
| 225537-002 | 1 in. Steel Support Channel | 5.956 | 19.53 | 10 pcs/bundle | 3.27 | 7.19 | 1 bundle |
| 225547-002 | 1 1/4 in. Steel Support Channel | 5.942 | 19.49 | 8 pcs/bundle | 3.91 | 8.60 | 1 bundle |
| 225557-002 | 1 1/2 in. Steel Support Channel | 5.926 | 19.45 | 6 pcs/bundle | 5.59 | 12.30 | 1 bundle |
| 225567-002 | 2 in. Steel Support Channel | 5.896 | 19.33 | 4 pcs/bundle | 6.95 | 15.29 | 1 bundle |



| PE Protection Sleeves | | | | | | | |
|-----------------------|--|-----------|----------------------|-------------|------|---------------|--|
| Article No. | Description | Hole Size | Package Quantity | Unit Weight | | Minimum Order | |
| | | | | kg | lb | | |
| 236107 | Protection Sleeve for 3/8 and 1/2 in. Pipe | 1 in. | 100 ft (30.4 m) coil | 1.4 | 3.1 | 1 coil | |
| 236117 | Protection Sleeve for 5/8 and 3/4 in. Pipe | 1 1/4 in. | 50 ft (15.2 m) coil | 1.1 | 2.4 | 1 coil | |
| 236127 | Protection Sleeve for 1 in. Pipe | 1 1/2 in. | 50 ft (15.2 m) coil | 1.7 | 3.6 | 1 coil | |
| 236137 | Protection Sleeve for 1 1/4 in. Pipe | 2 in. | 150 ft (45.7 m) coil | 6.1 | 13.4 | 1 coil | |
| 236147* | Protection Sleeve for 1 1/2 in. Pipe | 2 1/2 in. | 100 ft (30.4 m) coil | 7.8 | 17.2 | 1 coil | |
| 236157* | Protection Sleeve for 2 in. Pipe | 3 in. | 100 ft (30.4 m) coil | 8.7 | 19.2 | 1 coil | |

+ This item is not stocked. Lead times may vary.
Most sizes are slit for easier installation.



| Protection Tape | | | | | |
|-----------------|----------------------|------------------|-------------|------|---------------|
| Article No. | Description | Package Quantity | Unit Weight | | Minimum Order |
| | | | g | lb | |
| 246869-001 | Protective Tape, Red | 1 | 284 | .626 | 1 roll |

Protective tape for wrapping EVERLOC+ joints when used with polyurethane foam insulation kits.
Tape dimensions: 2 in. wide x 100 ft long (50 mm x 30 m)



| Rubber Tape | | | | | |
|-------------|------------------------------|------------------|-------------|------|---------------|
| Article No. | Description | Package Quantity | Unit Weight | | Minimum Order |
| | | | g | lb | |
| 241002 | Linerless Rubber Tape, Black | 3 rolls/box | 279 | .616 | 1 box |

Scotch® 2242 linerless, self-bonding, waterproof, Ethylene Propylene Rubber (EPR) tape for wrapping of EVERLOC+ joints.
Tape dimensions: 2 in. wide x 15 ft. long (50 mm x 4.57 m).

8. PIPE FASTENERS



| Nylon Pipe Ties | | | | | |
|-----------------|-----------------|------------------|-------------|--------|---------------|
| Article No. | Description | Package Quantity | Unit Weight | | Minimum Order |
| | | | g | lb | |
| 724448 | Nylon Pipe Ties | 1000 pcs/bag | 1.43 | 0.0003 | 1 bag |

Ties are 8 in. long and rated at 50 lbs tensile strength.



| Locking Clips | | | | | |
|---------------|-------------------------|------------------|-------------|------|---------------|
| Article No. | Description | Package Quantity | Unit Weight | | Minimum Order |
| | | | g | lb | |
| 261496+ | 3/8 in. Locking Clips | 100/bag | 4 | 0.01 | 1 bag |
| 261556 | 1/2 in. Locking Clips | 100/bag | 5 | 0.01 | 1 bag |
| 261516 | 3/4 in. Locking Clips | 100/bag | 7 | 0.02 | 1 bag |
| 261566 | 1 in. Locking Clips | 50/bag | 12 | 0.03 | 1 bag |
| 261576 | 1 1/4 in. Locking Clips | 50/bag | 12 | 0.03 | 1 bag |
| 261586 | 1 1/2 in. Locking Clips | 25/bag | 18 | 0.04 | 1 bag |
| 261596 | 2 in. Locking Clips | 25/bag | 30 | 0.07 | 1 bag |

+ This item is not stocked. Lead times may vary. Minimum order quantities may vary.



| Talon Drive Hooks | | | | | |
|-------------------|------------------------------------|------------------|-------------|------|---------------|
| Article No. | Description | Package Quantity | Unit Weight | | Minimum Order |
| | | | g | lb | |
| 260866 | Twin Talon Drive Hooks | 100/bag | 6 | 0.01 | 1 bag |
| 260846 | Low Profile 3/8 in. Talons | 100/bag | 4 | 0.01 | 1 bag |
| 261766 | Low Profile 1/2 in. Talons | 100/bag | 4 | 0.01 | 1 bag |
| 261776 | Low Profile 5/8 and 3/4 in. Talons | 50/bag | 6 | 0.01 | 1 bag |
| 261806 | Low Profile 1 in. Talons | 50/bag | 10 | 0.02 | 1 bag |



| Single Nail Clamps | | | | | | |
|--------------------|--|------------------|------|-------------|------|---------------|
| Article No. | Description | Package Quantity | | Unit Weight | | Minimum Order |
| | | Bag | Box | g | lb | |
| 261746 | Single Nail Clamp for 3/8 and 1/2 in. Pipe | 100 | 1500 | 4 | 0.01 | 1 bag |
| 261756+ | Single Nail Clamp for 3/4 in. Pipe | 100 | 1000 | 5 | 0.01 | 1 bag |

+ This item is not stocked. Lead times may vary. Minimum order quantities may vary.



| Plastic Pipe Clamps | | | | | | |
|---------------------|------------------------------|------------------|-----|-------------|------|---------------|
| Article No. | Description | Package Quantity | | Unit Weight | | Minimum Order |
| | | Bag | Box | g | lb | |
| 282401+ | 1 1/4 in. Plastic Pipe Clamp | 50 | 800 | 16 | 0.04 | 1 bag |
| 282411+ | 1 1/2 in. Plastic Pipe Clamp | 25 | 600 | 20 | 0.05 | 1 bag |
| 282421+ | 2 in. Plastic Pipe Clamp | 25 | 300 | 32 | 0.07 | 1 bag |

+ This item is not stocked. Lead times may vary. Minimum order quantities may vary.



| Isolating Suspension Clamps | | | | | | |
|-----------------------------|--------------------------------------|------------------|-----|-------------|------|---------------|
| Article No. | Description | Package Quantity | | Unit Weight | | Minimum Order |
| | | Bag | Box | g | lb | |
| 282431+ | 1 1/4 in. Isolating Suspension Clamp | 50 | 800 | 15 | 0.03 | 1 bag |
| 282441+ | 1 1/2 in. Isolating Suspension Clamp | 25 | 600 | 28 | 0.04 | 1 bag |
| 282451+ | 2 in. Isolating Suspension Clamp | 25 | 300 | 23 | 0.05 | 1 bag |

+ This item is not stocked. Lead times may vary. Minimum order quantities may vary.

9. PIPE INSTALLATION TOOLS



RAUPEX Horizontal Uncoilers

| Article No. | Description | Package Quantity | Unit Weight | | Minimum Order |
|-------------|----------------------------|------------------|-------------|----|---------------|
| | | | kg | lb | |
| 286151-002 | RAUPEX Horizontal Uncoiler | 1 | 13 | 28 | 1 |

Uncoiler is capable of holding RAUPEX coils up to 1 in. diameter.



Turntable Uncoilers

| Article No. | Description | Package Quantity | Unit Weight | | Minimum Order |
|-------------|--------------------|------------------|-------------|------|---------------|
| | | | kg | lb | |
| 424865-001 | Turntable Uncoiler | 1 | 40.4 | 89.0 | 1 |

Uncoiler has adjustable I.D. to fit multiple sizes of PEXa up to 1,000 ft of 3/4 in. Turntable rotates from horizontal to vertical to fit through doorways and allow for easy jobsite mobility. Assembly required.



RAUPEX Cutters

| Article No. | Description | Package Quantity | Unit Weight | | Minimum Order |
|-------------|---|------------------|-------------|------|---------------|
| | | | kg | lb | |
| 137495 | RAUCUTTER for up to 1 in. RAUPEX | 1 | 0.17 | 0.38 | 1 |
| 315242-001 | Ratchet Cutter for up to 1 1/2 in. RAUPEX | 1 | 0.41 | 0.90 | 1 |
| 131558-001 | Large Ratchet Cutter for up to 2 in. RAUPEX | 1 | 1.09 | 2.41 | 1 |

FIREPEX™ RESIDENTIAL FIRE SPRINKLER SYSTEM

Product Catalog



TABLE OF CONTENTS

| | |
|--|------|
| 1. RAUPEX® UV Shield Pipe | 2.3 |
| 2. FIREPEX™ Compression-sleeve Fittings | 2.5 |
| 3. EVERLOC+® Compression-sleeve Fittings | 2.6 |
| 4. EVERLOC+ Compression-sleeve Tools | 2.10 |
| 5. Pipe Supports and Protection | 2.12 |
| 6. Pipe Fasteners | 2.14 |
| 7. Pipe Installation Tools | 2.16 |



For updates to this publication and the most current technical instructions, safety information and manufacturer's recommendations, visit na.rehau.com/resourcecenter

1. RAUPEX UV SHIELD PIPE

RAUPEX UV shield pipe is manufactured using REHAU's high-pressure peroxide method for crosslinked polyethylene (PEXa). RAUPEX UV shield pipe has a co-extruded PE shield that protects the pipe against ultraviolet light (sunlight) for one year. All RAUPEX UV shield pipe meets or exceeds the requirements of ASTM F876, CSA B137.5 and PPI TR-3 and is certified to NSF Standards 14/61. RAUPEX UV shield pipe is manufactured in the USA by REHAU in a plant using a quality management system that is certified to ISO 9001. RAUPEX UV Shield pipe is specifically designed for use with the EVERLOC+ compression-sleeve system certified to ASTM F877. See *Technical Bulletin 261* for other compatible PEX fitting systems.

RAUPEX White UV Shield pipes in the sizes below are listed for use in residential fire sprinkler systems in accordance with UL 1821. RAUPEX Red and Blue UV Shield pipes are not certified for fire sprinkler systems. RAUPEX pipes may not be used for fire sprinkler applications other than those defined in NFPA 13D or IRC P2904



3/4 in. RAUPEX White UV Shield Pipe

| Article No. | Description | Package Quantity | Unit Weight | | Minimum Order |
|-------------|---|----------------------|-------------|-------|---------------|
| | | | kg | lb | |
| 235371-113 | 3/4 in. RAUPEX White UV Shield Pipe, 100 ft coil (30.5 m) | 100 ft | 4.9 | 10.9 | 1 coil |
| 235371-313 | 3/4 in. RAUPEX White UV Shield Pipe, 300 ft coil (91.4 m) | 300 ft | 14.7 | 32.3 | 1 coil |
| 235371-513 | 3/4 in. RAUPEX White UV Shield Pipe, 500 ft coil (152.4 m) | 500 ft | 24.6 | 54.3 | 1 coil |
| 235371-013 | 3/4 in. RAUPEX White UV Shield Pipe, 1000 ft coil (304.8 m) | 1000 ft | 48.9 | 108.0 | 1 coil |
| 235371-153 | 3/4 in. RAUPEX White UV Shield Pipe, 500 ft (152.4 m) | 5 (100 ft) coils/box | 24.6 | 54.3 | 1 box |

1 in. RAUPEX White UV Shield Pipe

| Article No. | Description | Package Quantity | Unit Weight | | Minimum Order |
|-------------|--|------------------|-------------|------|---------------|
| | | | kg | lb | |
| 235381-113 | 1 in. RAUPEX White UV Shield Pipe, 100 ft coil (30.5 m) | 100 ft | 7.9 | 17.5 | 1 coil |
| 235381-313 | 1 in. RAUPEX White UV Shield Pipe, 300 ft coil (91.4 m) | 300 ft | 23.8 | 52.4 | 1 coil |
| 235381-513 | 1 in. RAUPEX White UV Shield Pipe, 500 ft coil (152.4 m) | 500 ft | 39.7 | 87.5 | 1 coil |

1 1/4 in. RAUPEX White UV Shield Pipe

| Article No. | Description | Package Quantity | Unit Weight | | Minimum Order |
|-------------|---|------------------|-------------|------|---------------|
| | | | kg | lb | |
| 132571-113 | 1 1/4 in. RAUPEX White UV Shield Pipe, 100 ft coil (30.5 m) | 100 ft | 11.4 | 25.0 | 1 coil |
| 132571-313 | 1 1/4 in. RAUPEX White UV Shield Pipe, 300 ft coil (91.4 m) | 300 ft | 34.2 | 75.0 | 1 coil |

| 1 1/2 in. RAUPEX White UV Shield Pipe | | | | | |
|---------------------------------------|---|------------------|-------------|-------|---------------|
| Article No. | Description | Package Quantity | Unit Weight | | Minimum Order |
| | | | kg | lb | |
| 132581-113 | 1 1/2 in. RAUPEX White UV Shield Pipe, 100 ft coil (30.5 m) | 100 ft | 16.0 | 35.0 | 1 coil |
| 132581-313 | 1 1/2 in. RAUPEX White UV Shield Pipe, 300 ft coil (91.4 m) | 300 ft | 48.0 | 105.0 | 1 coil |

| 2 in. RAUPEX White UV Shield Pipe | | | | | |
|-----------------------------------|---|------------------|-------------|-------|---------------|
| Article No. | Description | Package Quantity | Unit Weight | | Minimum Order |
| | | | kg | lb | |
| 132591-113 | 2 in. RAUPEX White UV Shield Pipe, 100 ft coil (30.5 m) | 100 ft | 27.4 | 60.0 | 1 coil |
| 132591-313 | 2 in. RAUPEX White UV Shield Pipe, 300 ft coil (30.5 m) | 300 ft | 82.2 | 180.0 | 1 coil |



| 20 ft Straight Lengths RAUPEX White UV Shield Pipe | | | | | |
|--|--|----------------------|-------------|------|---------------|
| Article No. | Description | Package Quantity Bag | Unit Weight | | Minimum Order |
| | | | kg | lb | |
| 235371-023 | 3/4 in. RAUPEX White UV Shield Pipe, 20 ft (6.1 m) | 25 pcs (500 ft) | 1.0 | 2.2 | 1 bag |
| 235381-023 | 1 in. RAUPEX White UV Shield Pipe, 20 ft (6.1 m) | 25 pcs (500 ft) | 1.6 | 3.5 | 1 bag |
| 132571-023 | 1 1/4 in. RAUPEX White UV Shield Pipe, 20 ft (6.1 m) | 5 pcs (100 ft) | 2.3 | 5.0 | 1 bag |
| 132581-023 | 1 1/2 in. RAUPEX White UV Shield Pipe, 20 ft (6.1 m) | 5 pcs (100 ft) | 3.2 | 7.0 | 1 bag |
| 132591-023 | 2 in. RAUPEX White UV Shield Pipe, 20 ft (6.1 m) | 5 pcs (100 ft) | 5.5 | 12.0 | 1 bag |

Straight lengths are packaged in a single outer bag.

2. FIREPEX™ COMPRESSION-SLEEVE FITTINGS

The FIREPEX residential fire sprinkler system serves the requirements for fire sprinkler systems as defined by National Fire Protection Association (NFPA) Standard 13D Installation of Sprinkler Systems in One- and Two- Family Dwellings and Manufactured Home and the International Residential Code Section P2904

EVERLOC+ compression-sleeve fittings and sleeves are designed specifically for use with REHAU PEXa pipe. Installation is performed with EVERLOC+ compression-sleeve tools. Follow all published REHAU *Technical Guidelines*. EVERLOC+ polymer fittings are produced from a polyphenylsulfone (PPSU) material. EVERLOC+ LF brass fittings are produced from ECO Brass® (UNS C69300 or CW724R). EVERLOC+ compression sleeves are produced using a specially formulated PEXa material and are designed specifically for use with EVERLOC+ fittings. All EVERLOC+ fittings and sleeves comply with the lead-free requirements of the U.S. Safe Drinking Water Act. Order PEXa compression sleeves separately from fittings. EVERLOC+ polymer fittings and sleeves are manufactured by REHAU in a plant using a quality management system that is certified to ISO 9001.

EVERLOC+ fittings listed below are certified by NSF International for use in potable water applications in accordance with NSF/ANSI 14/61, as well as FIREPEX™ residential fire sprinkler systems in accordance with UL 1821.



FIREPEX Tees (PEX to FPT)

| Article No. | Description | Box Quantity | Unit Weight | | Minimum Order |
|-------------|--|--------------|-------------|------|---------------|
| | | | g | lb | |
| 421744-001 | 3/4 x 3/4 x 1/2 in. FPT EVERLOC+ LF Brass FIREPEX Tee | 5 | 195.45 | 0.43 | 1 box |
| 421878-001 | 1 x 1 x 1/2 in. FPT EVERLOC+ LF Brass FIREPEX Tee | 3 | 255.23 | 0.56 | 1 box |



FIREPEX Elbows (PEX to FPT)

| Article No. | Description | Box Quantity | Unit Weight | | Minimum Order |
|-------------|--|--------------|-------------|------|---------------|
| | | | g | lb | |
| 422004-001 | 3/4 x 1/2 in. FPT EVERLOC+ LF Brass FIREPEX Elbow | 5 | 154.76 | 0.34 | 1 box |
| 422005-001 | 1 x 1/2 in. FPT EVERLOC+ LF Brass FIREPEX Elbow | 5 | 141.42 | 0.31 | 1 box |

3. EVERLOC+ COMPRESSION-SLEEVE FITTINGS

EVERLOC+ compression-sleeve fittings and sleeves are designed specifically for use with REHAU PEXa pipe. Installation is performed with EVERLOC+ compression-sleeve tools. Follow all published REHAU *Technical Guidelines*. EVERLOC+ polymer fittings are produced from a polyphenylsulfone (PPSU) material. EVERLOC+ LF brass fittings are produced from ECO Brass® (UNS C69300 or CW724R). EVERLOC+ compression sleeves are produced using a specially formulated PEXa material and are designed specifically for use with EVERLOC+ fittings. All EVERLOC+ fittings and sleeves comply with the lead-free requirements of the U.S. Safe Drinking Water Act. Order PEXa compression sleeves separately from fittings. EVERLOC+ polymer fittings and sleeves are manufactured by REHAU in a plant using a quality management system that is certified to ISO 9001.

EVERLOC+ fittings in the sizes and configurations listed below are certified by NSF International for use in potable water applications in accordance with NSF/ANSI 14/61, as well as FIREPEX™ residential fire sprinkler systems in accordance with UL 1821.



| EVERLOC+ PEXa Compression Sleeves | | | | | | | |
|-----------------------------------|--------------------------------|------------------|-----|-------------|-------|---------------|--|
| Article No. | Description | Package Quantity | | Unit Weight | | Minimum Order | |
| | | Bag | Box | g | lb | | |
| 104818-001 | 3/4 in. EVERLOC+ PEXa Sleeve | 50 | 150 | 8.62 | 0.019 | 1 box | |
| 104819-001 | 1 in. EVERLOC+ PEXa Sleeve | 20 | 80 | 15.88 | 0.035 | 1 box | |
| 104820-001 | 1 1/4 in. EVERLOC+ PEXa Sleeve | 10 | 50 | 20.41 | 0.045 | 1 box | |
| 104821-001 | 1 1/2 in. EVERLOC+ PEXa Sleeve | 10 | 30 | 24.95 | 0.055 | 1 box | |
| 104822-001 | 2 in. EVERLOC+ PEXa Sleeve | 5 | 15 | 29.48 | 0.065 | 1 box | |



| EVERLOC+ Straight Couplings | | | | | | | |
|-----------------------------|---|------------------|-----|-------------|------|---------------|--|
| Article No. | Description | Package Quantity | | Unit Weight | | Minimum Order | |
| | | Bag | Box | g | lb | | |
| 104825-001 | 3/4 x 3/4 in. EVERLOC+ Polymer Coupling | 10 | 50 | 12.25 | 0.03 | 1 bag | |
| 104826-001 | 1 x 1 in. EVERLOC+ Polymer Coupling | 10 | 50 | 22.23 | 0.05 | 1 bag | |
| 104827-001 | 1 1/4 x 1 1/4 in. EVERLOC+ Polymer Coupling | 1 | 10 | 40.37 | 0.09 | 1 bag | |
| 104828-001 | 1 1/2 x 1 1/2 in. EVERLOC+ Polymer Coupling | 1 | 10 | 71.21 | 0.16 | 1 bag | |
| 104829-001 | 2 x 2 in. EVERLOC+ Polymer Coupling | 1 | 10 | 125.19 | 0.28 | 1 bag | |



| EVERLOC+ Reducer Couplings | | | | | | | |
|----------------------------|--|------------------|-----|-------------|------|---------------|--|
| Article No. | Description | Package Quantity | | Unit Weight | | Minimum Order | |
| | | Bag | Box | g | lb | | |
| 104831-001 | 1 x 3/4 in. EVERLOC+ Polymer Coupling | 10 | 50 | 17.69 | 0.04 | 1 bag | |
| 425026-001 | 1 1/4 x 3/4 in. EVERLOC+ LF Brass Coupling | - | 10 | 151.36 | 0.33 | 1 box | |
| 104832-001 | 1 1/4 x 1 in. EVERLOC+ Polymer Coupling | 1 | 10 | 32.66 | 0.07 | 1 bag | |
| 425028-001 | 1 1/2 x 3/4 in. EVERLOC+ LF Brass Coupling | - | 6 | 225.84 | 0.50 | 1 box | |
| 104833-001 | 1 1/2 x 1 in. EVERLOC+ Polymer Coupling | 1 | 10 | 49.90 | 0.11 | 1 bag | |
| 422233-001 | 1 1/2 x 1 1/4 in. EVERLOC+ LF Brass Coupling | - | 6 | 304.36 | 0.67 | 1 box | |
| 425031-001 | 2 x 3/4 in. EVERLOC+ LF Brass Coupling | - | 2 | 374.63 | 0.83 | 1 box | |
| 317139-001 | 2 x 1 in. EVERLOC+ LF Brass Coupling | - | 2 | 395.59 | 0.87 | 1 box | |
| 317140-001 | 2 x 1 1/4 in. EVERLOC+ LF Brass Coupling | - | 2 | 424.66 | 0.94 | 1 box | |
| 317141-001 | 2 x 1 1/2 in. EVERLOC+ LF Brass Coupling | - | 2 | 480.07 | 1.00 | 1 box | |



| EVERLOC+ Straight Tees (A x B x C) | | | | | | |
|------------------------------------|--|------------------|-----|-------------|------|---------------|
| Article No. | Description | Package Quantity | | Unit Weight | | Minimum Order |
| | | Bag | Box | g | lb | |
| 104836-001 | 3/4 x 3/4 x 3/4 in. EVERLOC+ Polymer Tee | 10 | 50 | 23.59 | 0.05 | 1 bag |
| 104837-001 | 1 x 1 x 1 in. EVERLOC+ Polymer Tee | 1 | 10 | 42.64 | 0.09 | 1 bag |
| 104838-001 | 1 1/4 x 1 1/4 x 1 1/4 in. EVERLOC+ Polymer Tee | 1 | 10 | 78.47 | 0.17 | 1 bag |
| 104839-001 | 1 1/2 x 1 1/2 x 1 1/2 in. EVERLOC+ Polymer Tee | 1 | 5 | 136.53 | 0.30 | 1 bag |
| 104840-001 | 2 x 2 x 2 in. EVERLOC+ Polymer Tee | 1 | 5 | 245.85 | 0.54 | 1 bag |



| EVERLOC+ Run Reducing Tees (A x B x C) | | | | | | |
|--|---|------------------|-----|-------------|------|---------------|
| Article No. | Description | Package Quantity | | Unit Weight | | Minimum Order |
| | | Bag | Box | g | lb | |
| 104842-001 | 1 x 3/4 x 1 in. EVERLOC+ Polymer Tee | 5 | 25 | 37.65 | 0.08 | 1 bag |
| 317143-001 | 1 1/4 x 1 x 1 1/4 in. EVERLOC+ LF Brass Tee | - | 2 | 328.85 | 0.73 | 1 box |
| 317144-001 | 1 1/2 x 1 x 1 1/2 in. EVERLOC+ LF Brass Tee | - | 2 | 517.09 | 1.14 | 1 box |
| 317145-001 | 1 1/2 x 1 1/4 x 1 1/2 in. EVERLOC+ LF Brass Tee | - | 2 | 553.38 | 1.22 | 1 box |
| 317146-001 | 2 x 1 1/4 x 2 in. EVERLOC+ LF Brass Tee | - | 1 | 830.07 | 1.83 | 1 box |
| 317147-001 | 2 x 1 1/2 x 2 in. EVERLOC+ LF Brass Tee | - | 1 | 898.11 | 1.98 | 1 box |



| EVERLOC+ Branch Reducing Tees (A x B x C) | | | | | | |
|---|---|------------------|-----|-------------|------|---------------|
| Article No. | Description | Package Quantity | | Unit Weight | | Minimum Order |
| | | Bag | Box | g | lb | |
| 104845-001 | 1 x 1 x 3/4 in. EVERLOC+ Polymer Tee | 5 | 25 | 35.83 | 0.08 | 1 bag |
| 322832-001 | 1 1/4 x 1 1/4 x 3/4 in. EVERLOC+ LF Brass Tee | - | 2 | 283.60 | 0.63 | 1 box |
| 104847-001 | 1 1/4 x 1 1/4 x 1 in. EVERLOC+ Polymer Tee | 1 | 10 | 65.77 | 0.15 | 1 bag |
| 322833-001 | 1 1/2 x 1 1/2 x 3/4 in. EVERLOC LF Brass Tee | - | 2 | 424.33 | 0.94 | 1 box |
| 104848-001 | 1 1/2 x 1 1/2 x 1 in. EVERLOC+ Polymer Tee | 1 | 5 | 102.51 | 0.23 | 1 bag |
| 317149-001 | 1 1/2 x 1 1/2 x 1 1/4 in. EVERLOC+ LF Brass Tee | - | 2 | 535.24 | 1.18 | 1 box |
| 322834-001 | 2 x 2 x 3/4 in. EVERLOC+ LF Brass Tee | - | 2 | 696.39 | 1.54 | 1 box |
| 104849-001 | 2 x 2 x 1 in. EVERLOC+ Polymer Tee | 1 | 5 | 168.74 | 0.37 | 1 bag |
| 317150-001 | 2 x 2 x 1 1/4 in. EVERLOC+ LF Brass Tee | - | 1 | 757.50 | 1.67 | 1 box |
| 317151-001 | 2 x 2 x 1 1/2 in. EVERLOC+ LF Brass Tee | - | 1 | 852.75 | 1.88 | 1 box |



| EVERLOC+ Branch and Run Reducing Tees (A x B x C) | | | | | | |
|---|---|------------------|-----|-------------|------|---------------|
| Article No. | Description | Package Quantity | | Unit Weight | | Minimum Order |
| | | Bag | Box | g | lb | |
| 104852-001 | 1 x 3/4 x 3/4 in. EVERLOC+ Polymer Tee | 5 | 25 | 30.84 | 0.07 | 1 bag |
| 424989-001 | 1 1/4 x 1 x 3/4 in. EVERLOC+ LF Brass Tee | - | 2 | 244.68 | 0.54 | 1 box |
| 104853-001 | 1 1/4 x 1 x 1 in. EVERLOC+ Polymer Tee | 1 | 10 | 56.25 | 0.12 | 1 bag |
| 424992-001 | 1 1/2 x 1 x 3/4 in. EVERLOC+ LF Brass Tee | - | 2 | 324.03 | 0.71 | 1 box |
| 317152-001 | 1 1/2 x 1 x 1 in. EVERLOC+ LF Brass Tee | - | 2 | 371.04 | 0.82 | 1 box |
| 425025-001 | 1 1/2 x 1 1/4 x 3/4 in. EVERLOC+ LF Brass Tee | - | 2 | 365.16 | 0.81 | 1 box |
| 317153-001 | 1 1/2 x 1 1/4 x 1 in. EVERLOC+ LF Brass Tee | - | 2 | 404.60 | 0.89 | 1 box |
| 317154-001 | 1 1/2 x 1 1/4 x 1 1/4 in. EVERLOC+ LF Brass Tee | - | 2 | 462.66 | 1.02 | 1 box |
| 424994-001 | 2 x 1 1/2 x 3/4 in. EVERLOC+ LF Brass Tee | - | 1 | 578.65 | 1.28 | 1 box1 |
| 317156-001 | 2 x 1 1/2 x 1 in. EVERLOC+ LF Brass Tee | - | 1 | 607.81 | 1.34 | 1 box |
| 317161-001 | 2 x 1 1/2 x 1 1/4 in. EVERLOC+ LF Brass Tee | - | 1 | 666.78 | 1.47 | 1 box |
| 317155-001 | 2 x 1 1/2 x 1 1/2 in. EVERLOC+ LF Brass Tee | - | 1 | 762.03 | 1.68 | 1 box |



| EVERLOC+ Bullhead Tees (A x B x C) | | | | | | |
|------------------------------------|--|------------------|-----|-------------|------|---------------|
| Article No. | Description | Package Quantity | | Unit Weight | | Minimum Order |
| | | Bag | Box | g | lb | |
| 104855-001 | 3/4 x 3/4 x 1 in. EVERLOC+ Polymer Tee | 5 | 25 | 30.84 | 0.07 | 1 bag |



| EVERLOC+ Elbows, PEX to PEX | | | | | | |
|-----------------------------|---|------------------|-----|-------------|------|---------------|
| Article No. | Description | Package Quantity | | Unit Weight | | Minimum Order |
| | | Bag | Box | g | lb | |
| 104860-001 | 3/4 x 3/4 in. EVERLOC+ Polymer Elbow | 10 | 50 | 17.69 | 0.04 | 1 bag |
| 104861-001 | 1 x 1 in. EVERLOC+ Polymer Elbow | 5 | 30 | 33.11 | 0.07 | 1 bag |
| 104862-001 | 1 1/4 x 1 1/4 in. EVERLOC+ Polymer Elbow | 1 | 10 | 60.78 | 0.13 | 1 bag |
| 104863-001 | 1 1/2 x 1 1/2 in. EVERLOC+ Polymer Elbow | 1 | 10 | 102.97 | 0.23 | 1 bag |
| 425021-001 | 1 1/2 x 1 1/2 in. EVERLOC+ LF Brass 45° Elbow | - | 2 | 364.48 | 0.80 | 1 box |
| 104864-001 | 2 x 2 in. EVERLOC+ Polymer Elbow | 1 | 5 | 187.33 | 0.41 | 1 bag |
| 425022-001 | 2 x 2 in. EVERLOC+ LF Brass 45° Elbow | - | 2 | 642.83 | 1.42 | 1 box |



| EVERLOC+ Elbows, PEX to Copper | | | | | |
|--------------------------------|--|--------------|-------------|------|---------------|
| Article No. | Description | Box Quantity | Unit Weight | | Minimum Order |
| | | | g | lb | |
| 317166-001 | 3/4 x 3/4 in. C Male EVERLOC+ LF Brass Elbow | 25 | 90.26 | 0.20 | 1 box |
| 317167-001 | 3/4 x 3/4 in. C Female EVERLOC+ LF Brass Elbow | 20 | 115.21 | 0.25 | 1 box |



| EVERLOC+ Elbows, PEX to FPT/MPT | | | | | |
|---------------------------------|--|--------------|-------------|------|---------------|
| Article No. | Description | Box Quantity | Unit Weight | | Minimum Order |
| | | | g | lb | |
| 317169-001 | 3/4 x 3/4 in. MPT EVERLOC+ LF Brass Elbow | 10 | 99.79 | 0.22 | 1 box |
| 425476-001 | 3/4 x 3/4 in. MPT EVERLOC+ LF Brass Drop Ear Elbow | 10 | 129.85 | 0.29 | 1 box |
| 422006-001 | 3/4 x 3/4 in. FPT EVERLOC+ LF Brass Drop Ear Elbow | 8 | 158.76 | 0.35 | 1 box |
| 422007-001 | 1 x 1 in. FPT EVERLOC+ LF Brass Drop Ear Elbow | 5 | 250.62 | 0.55 | 1 box |



| EVERLOC+ Plugs | | | | | | |
|----------------|----------------------------------|------------------|-----|-------------|-------|---------------|
| Article No. | Description | Package Quantity | | Unit Weight | | Minimum Order |
| | | Bag | Box | g | lb | |
| 104857-001 | 3/4 in. EVERLOC+ Polymer Plug | 20 | 100 | 6.35 | 0.014 | 1 bag |
| 104858-001 | 1 in. EVERLOC+ Polymer Plug | 10 | 50 | 11.34 | 0.025 | 1 bag |
| 317158-001 | 1 1/4 in. EVERLOC+ LF Brass Plug | - | 20 | 133.57 | 0.295 | 1 box |
| 317159-001 | 1 1/2 in. EVERLOC+ LF Brass Plug | - | 20 | 214.15 | 0.472 | 1 box |
| 317160-001 | 2 in. EVERLOC+ LF Brass Plug | - | 10 | 388.28 | 0.856 | 1 box |



| EVERLOC+ Adapters, PEX to Copper | | | | | |
|----------------------------------|---|--------------|-------------|------|---------------|
| Article No. | Description | Box Quantity | Unit Weight | | Minimum Order |
| | | | g | lb | |
| 317189-001 | 3/4 x 1 in. C Female EVERLOC+ LF Brass Adapter | 5 | 92.99 | 0.21 | 1 box |
| 317186-001 | 3/4 x 3/4 in. C Male EVERLOC+ LF Brass Adapter | 30 | 69.85 | 0.15 | 1 box |
| 317187-001 | 3/4 x 3/4 in. C Female EVERLOC+ LF Brass Adapter | 20 | 95.25 | 0.21 | 1 box |
| 317190-001 | 1 x 1 in. C Male EVERLOC+ LF Brass Adapter | 15 | 115.21 | 0.25 | 1 box |
| 317191-001 | 1 x 1 in. C Female EVERLOC+ LF Brass Adapter | 15 | 142.43 | 0.31 | 1 box |
| 317192-001 | 1 1/4 x 1 1/4 in. C Male EVERLOC+ LF Brass Adapter | 10 | 177.81 | 0.39 | 1 box |
| 317193-001 | 1 1/4 x 1 1/4 in. C Female EVERLOC+ LF Brass Adapter | 10 | 215.46 | 0.48 | 1 box |
| 317194-001 | 1 1/2 x 1 1/2 in. C Male EVERLOC+ LF Brass Adapter | 5 | 282.59 | 0.62 | 1 box |
| 317195-001 | 1 1/2 x 1 1/2 in. C Female EVERLOC+ LF Brass Adapter | 5 | 494.42 | 1.09 | 1 box |
| 317196-001 | 2 x 2 in. C Male EVERLOC+ LF Brass Adapter | 2 | 585.13 | 1.29 | 1 box |
| 317197-001 | 2 x 2 in. C Female EVERLOC+ LF Brass Adapter | 2 | 721.21 | 1.59 | 1 box |



| EVERLOC+ MPT Adapters, PEX to MPT | | | | | |
|-----------------------------------|---|--------------|-------------|------|---------------|
| Article No. | Description | Box Quantity | Unit Weight | | Minimum Order |
| | | | g | lb | |
| 317172-001 | 3/4 x 3/4 in. MPT EVERLOC+ LF Brass Adapter | 20 | 76.66 | 0.17 | 1 box |
| 317177-001 | 3/4 x 1 in. MPT EVERLOC+ LF Brass Adapter | 20 | 124.74 | 0.28 | 1 box |
| 323708-001 | 1 x 3/4 in. MPT EVERLOC+ LF Brass Adapter | 10 | 108.47 | 0.24 | 1 box |
| 317178-001 | 1 x 1 in. MPT EVERLOC+ LF Brass Adapter | 15 | 148.32 | 0.33 | 1 box |
| 317179-001 | 1 1/4 x 1 1/4 in. MPT EVERLOC+ LF Brass Adapter | 10 | 246.30 | 0.54 | 1 box |
| 317180-001 | 1 1/2 x 1 1/2 in. MPT EVERLOC+ LF Brass Adapter | 5 | 373.76 | 0.82 | 1 box |
| 317181-001 | 2 x 2 in. MPT EVERLOC+ LF Brass Adapter | 2 | 576.06 | 1.27 | 1 box |



| EVERLOC+ FPT Adapters, PEX to FPT | | | | | |
|-----------------------------------|---|--------------|-------------|------|---------------|
| Article No. | Description | Box Quantity | Unit Weight | | Minimum Order |
| | | | g | lb | |
| 317182-001 | 3/4 x 3/4 in. FPT EVERLOC+ LF Brass Adapter | 20 | 87.54 | 0.19 | 1 box |
| 329227-001 | 1 x 3/4 in. FPT EVERLOC+ LF Brass Adapter | 10 | 116.01 | 0.26 | 1 box |
| 317183-001 | 1 x 1 in. FPT EVERLOC+ LF Brass Adapter | 10 | 143.34 | 0.32 | 1 box |

4. EVERLOC+ COMPRESSION-SLEEVE TOOLS



EVERLOC+ Power Tool Standard Kit

| Article No. | Description | Package Quantity | Unit Weight kg | Unit Weight lb | Minimum Order |
|-------------|---|------------------|-------------------|-------------------|---------------|
| 105107-003 | EVERLOC+ Power Tool Standard Kit (1/2, 3/4 and 1 in.) | 1 | 6.8 | 15 | 1 |

The EVERLOC+ power tool standard kit is specifically designed for assembling 1/2, 3/4 and 1 in. EVERLOC+ fittings. The tool kit comes complete with the following:

- EVERLOC+ power tool base unit (Art. 105106-003)
- EVERLOC+ expander adapter QC (Art. 105167-001)
- EVERLOC+ expander heads QC: 1/2 in. (Art. 105074-001), 3/4 in. (Art. 105076-001), 1 in. (Art. 105077-001)
- EVERLOC+ compression jaws (set): 1/2 in. (Art. 105084-001), 3/4 in. (Art. 105088-001), 1 in. (Art. 105091-001)
- (2) DeWALT® 12V Li-ion batteries (DCB127)
- DeWALT® 12V/20V Li-ion battery charger, 120VAC (DCB107)
- RAUCUTTER (Art. 137495)
- Tool case (Art. 318135-003)
- Grease (Art. 224989-001) and cleaning brush (Art. 224988-001)
- Operating instructions



DeWALT® and the DeWALT Logo are trademarks of Stanley Black & Decker, Inc., or an affiliate thereof and are used under license.

Read the instruction manual thoroughly before use and follow all safety precautions - improper use can cause serious personal injury.



EVERLOC+ Expander Heads

| Article No. | Description | Package Quantity | Unit Weight g | Unit Weight lb | Minimum Order |
|-------------|---|------------------|------------------|-------------------|---------------|
| 105076-001 | 3/4 in. EVERLOC+ Expander Head (Quick Change) | 1 | 150 | 0.33 | 1 ea |
| 105077-001 | 1 in. EVERLOC+ Expander Head (Quick Change) | 1 | 181 | 0.40 | 1 ea |



EVERLOC+ Compression Jaws

| Article No. | Description | Package Quantity | Unit Weight g | Unit Weight lb | Minimum Order |
|-------------|---|------------------|------------------|-------------------|---------------|
| 105088-001 | 3/4 in. EVERLOC+ Compression Jaws (set) | 1 set | 295 | 0.65 | 1 set |
| 105091-001 | 1 in. EVERLOC+ Compression Jaws (set) | 1 set | 386 | 0.85 | 1 set |




EVERLOC+ XL Power Tool Standard Kit

| Article No. | Description | Package Quantity | Unit Weight | | Minimum Order |
|-------------|---|------------------|-------------|----|---------------|
| | | | kg | lb | |
| 105733-002 | EVERLOC+ XL Power Tool Kit (1 1/4, 1 1/2 and 2 in.) | 1 | 19.5 | 43 | 1 |

The EVERLOC+ XL power tool standard kit is specifically designed for assembling 1 1/4, 1 1/2 and 2 in. EVERLOC+ fittings. The tool kit comes complete with the following:

- EVERLOC+ XL power tool base unit (Art. 105994-002)
- EVERLOC+ XL expander adapter QC (Art. 105744-001)
- EVERLOC+ XL expander heads QC: 1 1/4 in. (Art. 105078-001), 1 1/2 in. (Art. 105079-001), 2 in. (Art. 105080-001)
- EVERLOC+ XL compression jaws (set): 1 1/4 in. (Art. 105094-001), 1 1/2 in. (Art. 105096-001), 2 in. (Art. 105098-001)
- (2) MAKITA® 18V Li-ion batteries (BL1840B)
- MAKITA® 18V Li-ion battery charger, 120VAC (DC18RC)
- Large ratchet cutter (Art. 131558-001)
- Tool case (Art. 321251-001)
- Grease (Art. 224989-001), cleaning brush (Art. 224988-001) and operating instructions

 Read the instruction manual thoroughly before use and follow all safety precautions - improper use can cause serious personal injury.

Accessory item sold separately:

- EVERLOC+ XL Power Tool Kit Trolley (Art. 324373-001)




EVERLOC+ XL Expander Tool Standard Kit

| Article No. | Description | Package Quantity | Unit Weight | | Minimum Order |
|-------------|--|------------------|-------------|----|---------------|
| | | | kg | lb | |
| 106096-002 | EVERLOC+ XL Expander Tool Kit (1 1/4, 1 1/2 and 2 in.) | 1 | 5.4 | 12 | 1 |

The EVERLOC+ XL expander tool standard kit is specifically designed for the expansion of 1 1/4, 1 1/2 and 2 in. EVERLOC+ fittings. The tool kit comes complete with the following:

- EVERLOC+ XL expander tool base unit (Art. 105419-002)
- MAKITA® 18V Li-ion battery (BL1840B)
- Tool case (Art. 322285-001)
- Grease (Art. 224989-001) and cleaning brush (Art. 224988-001)
- Operating instructions

 Read the instruction manual thoroughly before use and follow all safety precautions - improper use can cause serious personal injury.



EVERLOC+ XL Expander Heads

| Article No. | Description | Package Quantity | Unit Weight | | Minimum Order |
|-------------|--|------------------|-------------|------|---------------|
| | | | g | lb | |
| 105078-001 | 1 1/4 in. EVERLOC+ XL Expander Head (Quick Change) | 1 | 590 | 1.30 | 1 ea |
| 105079-001 | 1 1/2 in. EVERLOC+ XL Expander Head (Quick Change) | 1 | 667 | 1.47 | 1 ea |
| 105080-001 | 2 in. EVERLOC+ XL Expander Head (Quick Change) | 1 | 748 | 1.65 | 1 ea |



EVERLOC+ XL Compression Jaws

| Article No. | Description | Package Quantity | Unit Weight | | Minimum Order |
|-------------|--|------------------|-------------|------|---------------|
| | | | g | lb | |
| 105094-001 | 1 1/4 in. EVERLOC+ XL Compression Jaws (set) | 1 set | 1134 | 2.50 | 1 set |
| 105096-001 | 1 1/2 in. EVERLOC+ XL Compression Jaws (set) | 1 set | 1179 | 2.60 | 1 set |
| 105098-001 | 2 in. EVERLOC+ XL Compression Jaws (set) | 1 set | 1270 | 2.80 | 1 set |

5. PIPE SUPPORTS AND PROTECTION



| Steel Support Bends | | | | | | |
|---------------------|----------------------------|------------------|--------|-------------|------|---------------|
| Article No. | Description | Package Quantity | | Unit Weight | | Minimum Order |
| | | Box | Carton | g | lb | |
| 257249 | 3/4 in. Steel Support Bend | 10 | 50 | 150 | 0.32 | 1 box |
| 261153 | 1 in. Steel Support Bend | 5 | 50 | 380 | 0.84 | 1 box |



| Polymer Support Bends With Screw Hole | | | | | | |
|---------------------------------------|--------------------------------|--|----------|-------------|------|---------------|
| Article No. | Description | | Box | Unit Weight | | Minimum Order |
| | | | Quantity | g | lb | |
| 266227 | 3/4 in. Polymer Support Bend | | 50 | 70 | 0.16 | 1 box |
| 266237 | 1 in. Polymer Support Bend | | 50 | 100 | 0.22 | 1 box |
| 266727 | 1 1/4 in. Polymer Support Bend | | 50 | 200 | 0.44 | 1 box |



| PVC Bend Guides | | | | | | |
|-----------------|----------------------------------|--|----------|-------------|------|---------------|
| Article No. | Description | | Package | Unit Weight | | Minimum Order |
| | | | Quantity | g | lb | |
| 266175-001 | 5/8 and 3/4 in. PVC Bend Guide | | 30 | 142 | 0.31 | 1 box |
| 266180 | 1 in. Schedule 40 PVC Bend Guide | | 20 | 378 | 0.83 | 1 box |



| PE Protection Sleeves | | | | | | |
|-----------------------|--|-----------|----------------------|-------------|------|---------------|
| Article No. | Description | Hole Size | Package Quantity | Unit Weight | | Minimum Order |
| | | | | kg | lb | |
| 236117 | Protection Sleeve for 5/8 and 3/4 in. Pipe | 1 1/4 in. | 50 ft (15.2 m) coil | 1.1 | 2.4 | 1 coil |
| 236127 | Protection Sleeve for 1 in. Pipe | 1 1/2 in. | 50 ft (15.2 m) coil | 1.7 | 3.6 | 1 coil |
| 236137 | Protection Sleeve for 1 1/4 in. Pipe | 2 in. | 150 ft (45.7 m) coil | 6.1 | 13.4 | 1 coil |
| 236147* | Protection Sleeve for 1 1/2 in. Pipe | 2 1/2 in. | 100 ft (30.4 m) coil | 7.8 | 17.2 | 1 coil |
| 236157* | Protection Sleeve for 2 in. Pipe | 3 in. | 100 ft (30.4 m) coil | 8.7 | 19.2 | 1 coil |

* This item is not stocked. Lead times may vary.
Most sizes are slit for easier installation.



Protection Tape

| Article No. | Description | Package Quantity | Unit Weight g | Unit Weight lb | Minimum Order |
|-------------|----------------------|------------------|---------------|----------------|---------------|
| 246869-001 | Protective Tape, Red | 1 | 284 | .626 | 1 roll |

Protective tape for wrapping EVERLOC+ joints when used with polyurethane foam insulation kits.
Tape dimensions: 2 in. wide x 100 ft long (50 mm x 30 m)



Rubber Tape

| Article No. | Description | Package Quantity | Unit Weight g | Unit Weight lb | Minimum Order |
|-------------|------------------------------|------------------|---------------|----------------|---------------|
| 241002 | Linerless Rubber Tape, Black | 3 rolls/box | 279 | .616 | 1 box |

Scotch® 2242 linerless, self-bonding, waterproof, Ethylene Propylene Rubber (EPR) tape for wrapping of EVERLOC+ joints.
Tape dimensions: 2 in. wide x 15 ft. long (50 mm x 4.57 m).

6. PIPE FASTENERS



| Nylon Pipe Ties | | | | | |
|-----------------|-----------------|------------------|-------------|--------|---------------|
| Article No. | Description | Package Quantity | Unit Weight | | Minimum Order |
| | | | g | lb | |
| 724448 | Nylon Pipe Ties | 1000 pcs/bag | 1.43 | 0.0003 | 1 bag |

Ties are 8 in. long and rated at 50 lbs tensile strength.



| Locking Clips | | | | | |
|---------------|-------------------------|------------------|-------------|------|---------------|
| Article No. | Description | Package Quantity | Unit Weight | | Minimum Order |
| | | | g | lb | |
| 261516 | 3/4 in. Locking Clips | 100/bag | 7 | 0.02 | 1 bag |
| 261566 | 1 in. Locking Clips | 50/bag | 12 | 0.03 | 1 bag |
| 261576 | 1 1/4 in. Locking Clips | 50/bag | 12 | 0.03 | 1 bag |
| 261586 | 1 1/2 in. Locking Clips | 25/bag | 18 | 0.04 | 1 bag |
| 261596 | 2 in. Locking Clips | 25/bag | 30 | 0.07 | 1 bag |

+ This item is not stocked. Lead times may vary. Minimum order quantities may vary.



| Talon Drive Hooks | | | | | |
|-------------------|------------------------------------|------------------|-------------|------|---------------|
| Article No. | Description | Package Quantity | Unit Weight | | Minimum Order |
| | | | g | lb | |
| 261776 | Low Profile 5/8 and 3/4 in. Talons | 50/bag | 6 | 0.01 | 1 bag |
| 261806 | Low Profile 1 in. Talons | 50/bag | 10 | 0.02 | 1 bag |



| Single Nail Clamps | | | | | | |
|--------------------|------------------------------------|------------------|------|-------------|------|---------------|
| Article No. | Description | Package Quantity | | Unit Weight | | Minimum Order |
| | | Bag | Box | g | lb | |
| 261756+ | Single Nail Clamp for 3/4 in. Pipe | 100 | 1000 | 5 | 0.01 | 1 bag |

+ This item is not stocked. Lead times may vary. Minimum order quantities may vary.



Plastic Pipe Clamps

| Article No. | Description | Package Quantity | | Unit Weight | | Minimum Order |
|-------------|------------------------------|------------------|-----|-------------|------|---------------|
| | | Bag | Box | g | lb | |
| 282401* | 1 1/4 in. Plastic Pipe Clamp | 50 | 800 | 16 | 0.04 | 1 bag |
| 282411* | 1 1/2 in. Plastic Pipe Clamp | 25 | 600 | 20 | 0.05 | 1 bag |
| 282421* | 2 in. Plastic Pipe Clamp | 25 | 300 | 32 | 0.07 | 1 bag |

* This item is not stocked. Lead times may vary. Minimum order quantities may vary.



Isolating Suspension Clamps

| Article No. | Description | Package Quantity | | Unit Weight | | Minimum Order |
|-------------|--------------------------------------|------------------|-----|-------------|------|---------------|
| | | Bag | Box | g | lb | |
| 282431* | 1 1/4 in. Isolating Suspension Clamp | 50 | 800 | 15 | 0.03 | 1 bag |
| 282441* | 1 1/2 in. Isolating Suspension Clamp | 25 | 600 | 28 | 0.04 | 1 bag |
| 282451* | 2 in. Isolating Suspension Clamp | 25 | 300 | 23 | 0.05 | 1 bag |

* This item is not stocked. Lead times may vary. Minimum order quantities may vary.

7. PIPE INSTALLATION TOOLS



RAUPEX Horizontal Uncoilers

| Article No. | Description | Package Quantity | Unit Weight | | Minimum Order |
|-------------|----------------------------|------------------|-------------|----|---------------|
| | | | kg | lb | |
| 286151-002 | RAUPEX Horizontal Uncoiler | 1 | 13 | 28 | 1 |

Uncoiler is capable of holding RAUPEX coils up to 1 in. diameter.



Turntable Uncoilers

| Article No. | Description | Package Quantity | Unit Weight | | Minimum Order |
|-------------|--------------------|------------------|-------------|------|---------------|
| | | | kg | lb | |
| 424865-001 | Turntable Uncoiler | 1 | 40.4 | 89.0 | 1 |

Uncoiler has adjustable I.D. to fit multiple sizes of PEXa up to 1,000 ft of 3/4 in. Turntable rotates from horizontal to vertical to fit through doorways and allow for easy jobsite mobility. Assembly required.



RAUPEX Cutters

| Article No. | Description | Package Quantity | Unit Weight | | Minimum Order |
|-------------|---|------------------|-------------|------|---------------|
| | | | kg | lb | |
| 137495 | RAUCUTTER for up to 1 in. RAUPEX | 1 | 0.17 | 0.38 | 1 |
| 315242-001 | Ratchet Cutter for up to 1 1/2 in. RAUPEX | 1 | 0.41 | 0.90 | 1 |
| 131558-001 | Large Ratchet Cutter for up to 2 in. RAUPEX | 1 | 1.09 | 2.41 | 1 |

RADIANT HEATING/COOLING, SNOW AND ICE MELTING

Product Catalog

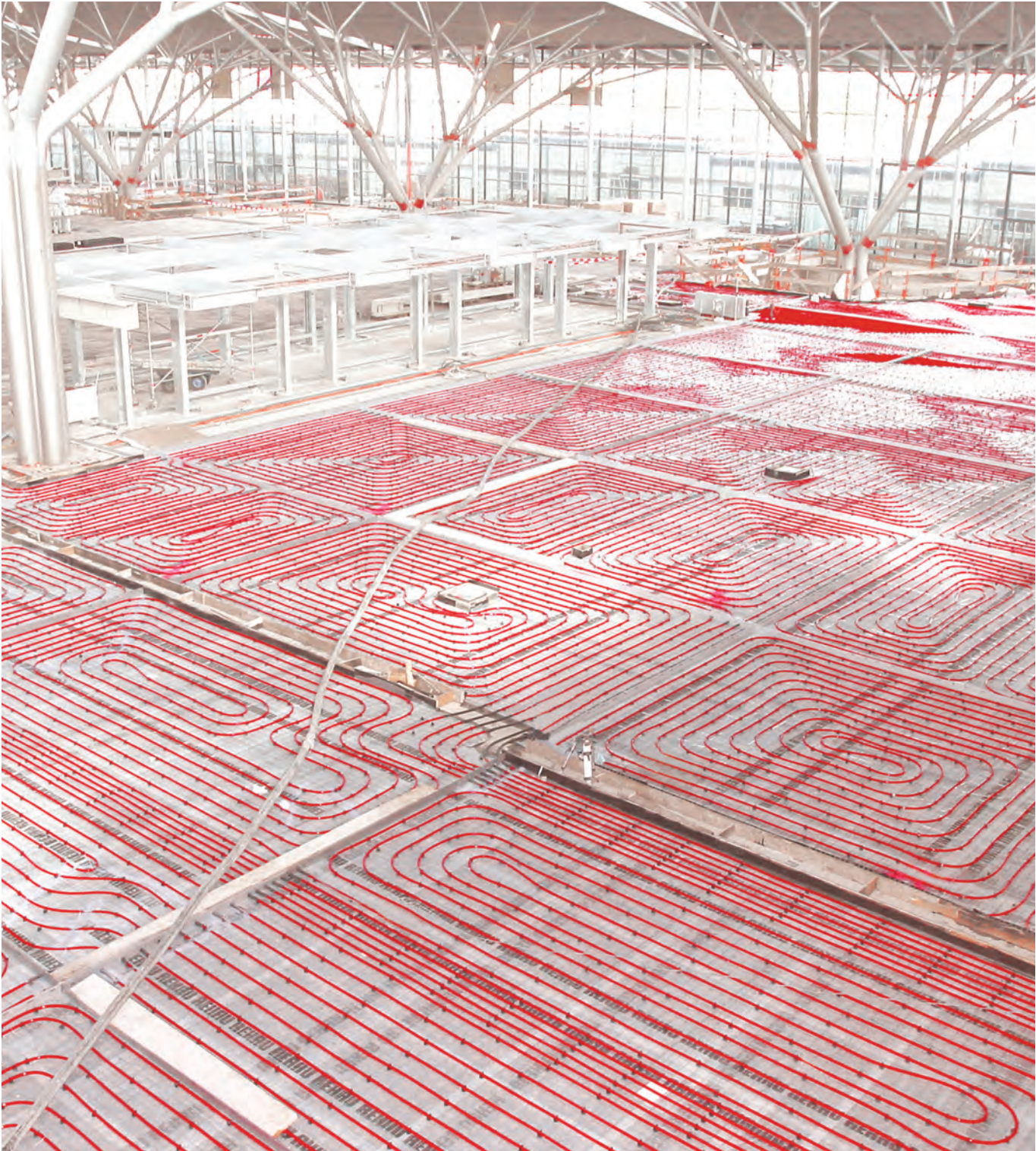


TABLE OF CONTENTS

| | | | |
|---|------|--|------|
| 1. RAUPEX® O ₂ Barrier Pipe | 3.3 | 10. RAUPEX Compression Nut Fittings | 3.30 |
| 2. Radiant Heating Plate Systems | 3.5 | 11. F2080 Compression-sleeve Ball Valves | 3.31 |
| 3. Radiant Heating Panel Systems | 3.6 | 12. Compression Nut Ball Valves | 3.32 |
| 4. Radiant Heating Mat Systems | 3.7 | 13. Copper Manifolds | 3.33 |
| 5. PRO-BALANCE® Stainless Steel Manifolds | 3.9 | 14. Installation Accessories | 3.34 |
| 6. PRO-BALANCE Brass Manifolds | 3.13 | 15. RAUTOOL™ PEX Pipe Installation Tools | 3.38 |
| 7. PRO-BALANCE Manifold Accessories | 3.18 | 16. Electronic Controls | 3.43 |
| 8. Zone Controls and Thermostats | 3.22 | 17. Mixing Valves | 3.45 |
| 9. F2080 Compression-sleeve Fittings | 3.26 | 18. Hydronic Accessories | 3.47 |



For updates to this publication and the most current technical instructions, safety information and manufacturer's recommendations, visit na.rehau.com/resourcecenter

1. RAUPEX O₂ BARRIER PIPE

RAUPEX O₂ barrier pipe is manufactured using REHAU's high-pressure peroxide method for crosslinked polyethylene (PEXa). RAUPEX O₂ barrier pipe has a co-extruded oxygen diffusion barrier that exceeds the strict requirements of DIN 4726. All RAUPEX O₂ barrier pipe meets or exceeds the requirements of ASTM F876, CSA B137.5 and PPI TR-3. RAUPEX O₂ barrier pipe also complies with the requirements of the CSA B214 installation code for hydronic heating systems. RAUPEX O₂ barrier pipe is manufactured by REHAU in a plant using a quality management system that is certified to ISO 9001.



3/8 in. RAUPEX O₂ Barrier Pipe

| Article No. | Description | Package Quantity | Unit Weight | | Minimum Order |
|-------------|--|------------------|-------------|------|---------------|
| | | | kg | lb | |
| 136008-500 | 3/8 in. RAUPEX O ₂ Barrier Pipe, 500 ft coil (152.4 m) | 500 ft | 10.5 | 23.1 | 1 coil |
| 136008-000 | 3/8 in. RAUPEX O ₂ Barrier Pipe, 1000 ft coil (304.8 m) | 1000 ft | 21.0 | 46.2 | 1 coil |

1/2 in. RAUPEX O₂ Barrier Pipe

| Article No. | Description | Package Quantity | Unit Weight | | Minimum Order |
|-------------|--|----------------------|-------------|------|---------------|
| | | | kg | lb | |
| 136031-300 | 1/2 in. RAUPEX O ₂ Barrier Pipe, 300 ft coil (91.4 m) | 300 ft | 7.8 | 17.2 | 1 coil |
| 136031-500 | 1/2 in. RAUPEX O ₂ Barrier Pipe, 500 ft coil (152.4 m) | 500 ft | 13.1 | 28.9 | 1 coil |
| 136031-000 | 1/2 in. RAUPEX O ₂ Barrier Pipe, 1000 ft coil (304.8 m) | 1000 ft | 26.3 | 57.9 | 1 coil |
| 136031-150 | 1/2 in. RAUPEX O ₂ Barrier Pipe, 500 ft (152.4 m) | 5 (100 ft) coils/box | 13.1 | 28.9 | 1 box |

5/8 in. RAUPEX O₂ Barrier Pipe

| Article No. | Description | Package Quantity | Unit Weight | | Minimum Order |
|-------------|--|----------------------|-------------|------|---------------|
| | | | kg | lb | |
| 136880-300 | 5/8 in. RAUPEX O ₂ Barrier Pipe, 300 ft coil (91.4 m) | 300 ft | 11.02 | 24.3 | 1 coil |
| 136880-400 | 5/8 in. RAUPEX O ₂ Barrier Pipe, 400 ft coil (121.8 m) | 400 ft | 16.3 | 35.9 | 1 coil |
| 136880-500 | 5/8 in. RAUPEX O ₂ Barrier Pipe, 500 ft coil (304.8 m) | 500 ft | 18.37 | 40.5 | 1 coil |
| 136880-155 | 5/8 in. RAUPEX O ₂ Barrier Pipe, 750 ft (228.6 m) | 5 (150 ft) coils/box | 27.6 | 60.7 | 1 box |
| 136880-000 | 5/8 in. RAUPEX O ₂ Barrier Pipe, 1000 ft coil (304.8 m) | 1000 ft | 35.9 | 79.1 | 1 coil |

3/4 in. RAUPEX O₂ Barrier Pipe

| Article No. | Description | Package Quantity | Unit Weight | | Minimum Order |
|-------------|--|------------------|-------------|-------|---------------|
| | | | kg | lb | |
| 136051-100 | 3/4 in. RAUPEX O ₂ Barrier Pipe, 100 ft coil (30.5 m) | 100 ft | 4.9 | 10.9 | 1 coil |
| 136051-300 | 3/4 in. RAUPEX O ₂ Barrier Pipe, 300 ft coil (91.4 m) | 300 ft | 14.7 | 32.4 | 1 coil |
| 136051-500 | 3/4 in. RAUPEX O ₂ Barrier Pipe, 500 ft coil (152.4 m) | 500 ft | 24.6 | 54.3 | 1 coil |
| 136051-000 | 3/4 in. RAUPEX O ₂ Barrier Pipe, 1000 ft coil (304.8 m) | 1000 ft | 49.2 | 108.5 | 1 coil |

| 1 in. RAUPEX O ₂ Barrier Pipe | | | | | |
|--|---|------------------|-------------|------|---------------|
| Article No. | Description | Package Quantity | Unit Weight | | Minimum Order |
| | | | kg | lb | |
| 136011-100 | 1 in. RAUPEX O ₂ Barrier Pipe, 100 ft coil (30.5 m) | 100 ft | 7.9 | 17.5 | 1 coil |
| 136011-500 | 1 in. RAUPEX O ₂ Barrier Pipe, 500 ft coil (152.4 m) | 500 ft | 39.7 | 87.5 | 1 coil |

| 1 1/4 in. RAUPEX O ₂ Barrier Pipe | | | | | |
|--|---|------------------|-------------|-------|---------------|
| Article No. | Description | Package Quantity | Unit Weight | | Minimum Order |
| | | | kg | lb | |
| 136283-100 | 1 1/4 in. RAUPEX O ₂ Barrier Pipe, 100 ft coil (30.5 m) | 100 ft | 11.4 | 25.0 | 1 coil |
| 136283-111 | 1 1/4 in. RAUPEX O ₂ Barrier Pipe, 1,000 ft coil (304.8 m) | 1000 ft | 114.0 | 250.0 | 1 coil |

| 1 1/2 in. RAUPEX O ₂ Barrier Pipe | | | | | |
|--|--|------------------|-------------|------|---------------|
| Article No. | Description | Package Quantity | Unit Weight | | Minimum Order |
| | | | kg | lb | |
| 136293-100 | 1 1/2 in. RAUPEX O ₂ Barrier Pipe, 100 ft coil (30.5 m) | 100 ft | 16.0 | 35.0 | 1 coil |

| 2 in. RAUPEX O ₂ Barrier Pipe | | | | | |
|--|--|------------------|-------------|------|---------------|
| Article No. | Description | Package Quantity | Unit Weight | | Minimum Order |
| | | | kg | lb | |
| 136303-100 | 2 in. RAUPEX O ₂ Barrier Pipe, 100 ft coil (30.5 m) | 100 ft | 27.4 | 60.0 | 1 coil |



| RAUPEX O ₂ Barrier Pipe 20 ft Straight Lengths | | | | | |
|---|---|----------------------|-------------|------|---------------|
| Article No. | Description | Package Quantity Bag | Unit Weight | | Minimum Order |
| | | | kg | lb | |
| 136051-020 | 3/4 in. RAUPEX O ₂ Barrier Pipe, 20 ft (6.1 m) | 25 pcs (500 ft) | 1.0 | 2.2 | 1 bag |
| 136011-020 | 1 in. RAUPEX O ₂ Barrier Pipe, 20 ft (6.1 m) | 25 pcs (500 ft) | 1.6 | 3.5 | 1 bag |
| 136283-020 | 1 1/4 in. RAUPEX O ₂ Barrier Pipe, 20 ft (6.1 m) | 5 pcs (100 ft) | 2.3 | 5.0 | 1 bag |
| 136293-020 | 1 1/2 in. RAUPEX O ₂ Barrier Pipe, 20 ft (6.1 m) | 5 pcs (100 ft) | 3.2 | 7.0 | 1 bag |
| 136303-020 | 2 in. RAUPEX O ₂ Barrier Pipe, 20 ft (6.1 m) | 5 pcs (100 ft) | 5.5 | 12.0 | 1 bag |

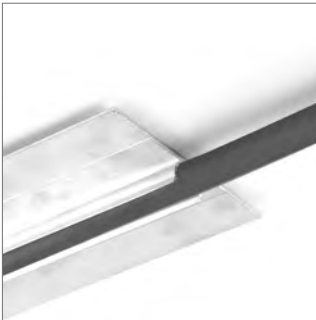
2. RADIANT HEATING PLATE SYSTEMS

Aluminum heat transfer plates are used in joist space installations to enhance heat transfer and improve efficiency. Radiant heating plate systems outperform talon-up joist space construction installations. Plate systems are suitable for both new construction and retrofit residential applications.



| RAUPLATE™ Radiant Heating System | | | | | | | |
|----------------------------------|--|----------------|----|------------------|-------------|------|---------------|
| Article No. | Description | Nominal Length | | Package Quantity | Unit Weight | | Minimum Order |
| | | m | ft | | kg | lb | |
| 298926-001 | RAUPLATE Heat Transfer Plate For 1/2 in. RAUPEX | 1.2 | 4 | 20 pcs/box | 0.70 | 1.50 | 1 box |

RAUPLATE heat transfer plates are designed with two pipe channels 8 in. on-center. RAUPLATE is screwed to the underside of the subfloor in the joist space and RAUPEX pipe snaps into the plates. Plates measure 8.7 x 47 in (22 x 119 cm).



| Heat Transfer Plates, Heavy Gauge | | | | | |
|-----------------------------------|---|------------------|-------------|------|---------------|
| Article No. | Description | Package Quantity | Unit Weight | | Minimum Order |
| | | | g | lb | |
| 235962* | Heat Transfer Plate, Heavy Gauge for 3/8 in. RAUPEX | 20 pcs/carton | 495 | 1.09 | 1 carton |
| 235972 | Heat Transfer Plate, Heavy Gauge for 1/2 in. RAUPEX | 20 pcs/carton | 509 | 1.12 | 1 carton |

*This item is not stocked. Lead time may vary. Minimum order quantities may vary.

Aluminum heat transfer plates are screwed into the joist space and RAUPEX pipe to snap into the plates. Plates measure 3.5 x 48 in (8.9 x 121.9 cm) with pre-drilled 1/8 in. holes.

3. RADIANT HEATING PANEL SYSTEMS

Radiant heating panel systems are installed directly on top of the subfloor, and for some installations in walls or ceilings behind gypsum board.



| RAUPANEL™ High-performance Radiant Heating System | | | | | |
|---|--|---------------------|-------------|------|---------------|
| Article No. | Description | Package Quantity | Unit Weight | | Minimum Order |
| | | | kg | lb | |
| 235307 | RAUPANEL (6 ft lengths) | 96 ft / 16 pcs/box | 1.73 | 3.80 | 1 box |
| 235327-001 | RAUPANEL 6 in. Plywood Return Bend (4 returns) | 32 ft / 8 pcs/box | 1.82 | 4.00 | 1 box |
| 235337-001 | RAUPANEL 8 in. Plywood Return Bend (3 returns) | 32 ft / 8 pcs/box | 2.05 | 4.50 | 1 box |
| 235377-001 | RAUPANEL 2 in. Plywood Furring Strip | 136 ft / 34 pcs/box | 0.45 | 1.00 | 1 box |
| 235387 | Deburring Tool | 10 pcs/box | 0.02 | 0.05 | 1 |

Furring strips are to be used in conjunction with 8 in. return bends to facilitate proper spacing of RAUPANEL and to provide a nailing surface for the floor covering. Reference the table below for product dimensions and square footage. Follow *RAUPANEL System Installation Guide* (855.625) for instructions on design and use of this product. RAUPANEL is 5/8 in. thick and designed for use with 3/8 in. RAUPEX O₂ barrier pipe.

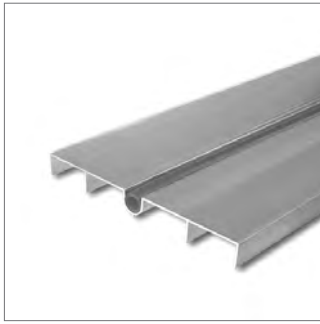


Table of Dimensions

| Article No. | Dimensions L x W x H | ft ² /pc | ft ² /pkg | m ² /pc | m ² /pkg |
|-------------|------------------------|---------------------|----------------------|--------------------|---------------------|
| 235307 | 72 x 6 x 5/8 in. | 3.0 | 48.0 | 0.279 | 4.459 |
| 235327-001 | 48 x 8 x 5/8 in. | 2.7 | 21.3 | 0.251 | 1.979 |
| 235337-001 | 48 x 9 x 5/8 in. | 3.0 | 24.0 | 0.279 | 2.230 |
| 235377-001 | 48 x 1 15/16 x 5/8 in. | 0.7 | 22.7 | 0.065 | 2.110 |

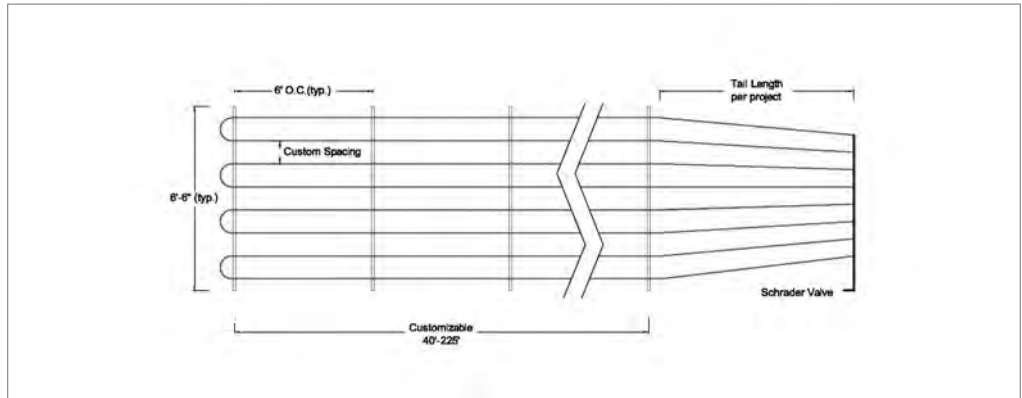


| RAUBOARD™ Radiant Heating System | | | | | |
|----------------------------------|--|------------------|-------------|------|---------------|
| Article No. | Description | Package Quantity | Unit Weight | | Minimum Order |
| | | | kg | lb | |
| 298896-001 | RAUBOARD Double Groove | 6 pcs/bundle | 2.3 | 5.0 | 1 bundle |
| 298796-001 | RAUBOARD Single Groove | 6 pcs/bundle | 1.1 | 2.5 | 1 bundle |
| 298396-001 | RAUBOARD Return Groove | 6 pcs/bundle | 1.1 | 2.4 | 1 bundle |
| 136549-001 | 10.1 mm RAUPEX O ₂ Barrier Pipe, 1000 ft coil (304.8 m) | 1000 ft | 11.8 | 26.0 | 1 coil |
| 136549-500 | 10.1 mm RAUPEX O ₂ Barrier Pipe, 500 ft coil (152.4 m) | 500 ft | 5.9 | 13.0 | 1 coil |
| 200526-001 | 10.1 mm SDR11 Coupling | 10 pcs/box | 0.02 | 0.04 | 1 box |
| 200536-001 | 10.1 mm SDR11 Sleeve | 10 pcs/box | 0.01 | 0.02 | 1 box |
| 200546-001 | 10.1 mm RAUPEX x R-20 Brass Manifold Outlet | 2 pcs/bag | 0.06 | 0.14 | 1 bag |
| 228950-002 | 10.1 mm Polymer Support Bend | 100 pcs/box | 0.02 | 0.06 | 1 box |
| 228396-001 | RAUTOOL K10 Tool Kit | 1 | 2.3 | 5.0 | 1 |

RAUBOARD low-profile heat transfer panels are screwed to the subfloor or wall/ceiling joists, then the 10.1 mm RAUPEX pipe snaps into the groove. A small bead of silicone is applied to the groove before installing the pipe. RAUBOARD panels measure 1/2 in. thick with pipe spacing of 6 in (152 mm) on-center.

4. RADIANT HEATING MAT SYSTEMS

RAUMAT™ is a pre-assembled roll of RAUPEX O₂ barrier pipe intended for radiant heating and cooling systems to be installed in large, open slab areas. RAUMAT is custom designed and built to project-specific requirements. Contact your local REHAU sales office for availability. RAUMAT is custom-made for each project, therefore article numbers, pricing, options and lead times vary.



RAUMAT Pre-assembled Radiant Mat System With 3/4 in. RAUPEX Pipe

Options

| | |
|----------|--|
| Length | Custom lengths 40 to 250 ft |
| Width | Custom width up to 6.5 ft |
| Spacing | Custom spacing |
| Pipe | RAUPEX O ₂ barrier 3/4 in. |
| Circuits | Up to 5 circuits per RAUMAT (equal length) |
| Tails | Customizable per project requirements |
| Supports | PEX rails every 6 ft |

RAUMAT Pre-assembled Radiant Mat System With 5/8 in. RAUPEX Pipe

Options

| | |
|----------|--|
| Length | Custom lengths 40 to 250 ft |
| Width | Custom width up to 6.5 ft |
| Spacing | Custom spacing (1 in. OC increments) |
| Pipe | RAUPEX O ₂ barrier 5/8 in. |
| Circuits | Up to 5 circuits per RAUMAT (equal length) |
| Tails | Customizable per project requirements |
| Supports | PEX rails every 6 ft |

RAUMAT is custom-made for each project, therefore article numbers, pricing, options and lead times vary. Contact your local REHAU sales office for availability.

RAUPEX SPEED Hook-and-Loop Radiant System

RAUPEX SPEED hook-and-loop radiant system is used in floors to efficiently and evenly distribute heat/cold from RAUPEX SPEED pipe into the room. The system can be installed in a concrete slab on grade, suspended slab or above suspended wood floor and encased in a thin slab overpour.



1/2 in. RAUPEX SPEED O₂ Barrier Pipe

| Article No. | Description | Package Quantity | Unit Weight kg | Unit Weight lb | Minimum Order |
|-------------|---|------------------|-------------------|-------------------|---------------|
| 160950-300 | 1/2 in. RAUPEX SPEED O ₂ Barrier Pipe, 300 ft coil (91.4 m) | 300 ft | 7.8 | 17.2 | 1 coil |
| 160950-001 | 1/2 in. RAUPEX SPEED O ₂ Barrier Pipe, 1,000 ft coil (304.8 m) | 1000 ft | 26.3 | 57.9 | 1 coil |

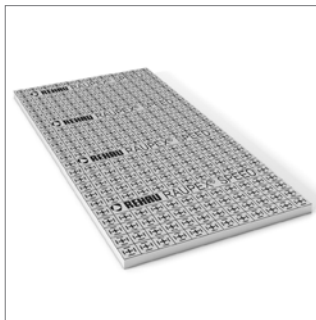
RAUPEX SPEED O₂ barrier pipe includes a hook-and-loop tape for fastening to the RAUPEX SPEED mat or iBoard, without the need for staples, pins or clips.



RAUPEX SPEED Mat

| Article No. | Description | Package Quantity | Unit Weight kg | Unit Weight lb | Minimum Order |
|-------------|--------------------------|---|-------------------|-------------------|---------------|
| 316110-100 | RAUPEX SPEED Mat R, Roll | 161.4 ft ² (15m ²) | 11.7 | 25.79 | 1 roll |

The RAUPEX SPEED hook-and-loop mat has an adhesive bottom, allowing it to be installed on different insulation materials and substrates. The loop part of the hook-and-loop system on the top of the mat works with the hook-and-loop tape of the RAUPEX SPEED O₂ barrier pipe for fastening without the need for staples, pins or clips.



RAUPEX SPEED iBoard

| Article No. | Description | Package Quantity | Unit Weight kg | Unit Weight lb | Minimum Order |
|-------------|--|--|-------------------|-------------------|----------------------|
| 422069-001 | RAUPEX SPEED iBoard R5 (4 x 8 x 1.25 in) | 320 ft ² (29.73m ²) | 21.55 | 47.5 | 1 bundle (10 pcs) |
| 422071-001 | RAUPEX SPEED iBoard R10 (4 x 8 x 2.38 in.) | 160 ft ² (14.86m ²) | 31.98 | 70.5 | 1 bundle (5pcs) |
| 427469-001 | RAUPEX SPEED iBoard Tape | 2 in (W) x 108 ft. (L) | 0.28 | 0.63 | 1 roll |

The RAUPEX SPEED iBoard combines an R-value insulation board with the hook-and-loop fastening system for radiant overpour applications. The hook-and-loop tape on the RAUPEX SPEED pipe fastens to the loop surface of the iBoard without the need for staples, pins or clips. The imprinted grid pattern on the iBoard enables fast and accurate pipe layout. Tape may be used to join or repair iBoards.



RAUPEX SPEED Door Spreader

| Article No. | Description | Package Quantity | Unit Weight kg | Unit Weight lb | Minimum Order |
|-------------|--|------------------|-------------------|-------------------|---------------|
| 104027-001 | RAUPEX SPEED Door Spreader With Pipe Guide | 1 | 1.10 | 2.42 | 1 |

The RAUPEX SPEED door spreader with pipe guide aids in the installation of the RAUPEX SPEED hook-and-loop radiant systems by guiding the pipe above the mat or iBoard during the installation process.



RAUPEX Horizontal Uncoiler

| Article No. | Description | Package Quantity | Unit Weight kg | Unit Weight lb | Minimum Order |
|-------------|----------------------------|------------------|-------------------|-------------------|---------------|
| 286151-002 | RAUPEX Horizontal Uncoiler | 1 | 13 | 28 | 1 |

Uncoiler dispenses RAUPEX pipe horizontally and is capable of holding RAUPEX coils up to 1 in.

5. PRO-BALANCE STAINLESS STEEL MANIFOLDS



| PRO-BALANCE 1 in. Stainless Steel Manifold With Gauges | | | | | | | |
|--|----------|-----------------|-------|------------------|-------------|------|---------------|
| Article No. | Stations | Manifold Length | | Package Quantity | Unit Weight | | Minimum Order |
| | | mm | in | | kg | lb | |
| 381101-001 | 1 | 254 | 9.98 | 1 | 2.4 | 5.3 | 1 |
| 381102-001 | 2 | 310 | 12.20 | 1 | 2.8 | 6.2 | 1 |
| 381103-001 | 3 | 365 | 14.37 | 1 | 3.2 | 7.1 | 1 |
| 381104-001 | 4 | 420 | 16.54 | 1 | 3.6 | 8.0 | 1 |
| 381105-001 | 5 | 475 | 18.7 | 1 | 4.0 | 8.9 | 1 |
| 381106-001 | 6 | 530 | 20.87 | 1 | 4.4 | 9.8 | 1 |
| 381107-001 | 7 | 585 | 23.03 | 1 | 4.9 | 10.7 | 1 |
| 381108-001 | 8 | 640 | 25.20 | 1 | 5.2 | 11.6 | 1 |
| 381109-001 | 9 | 695 | 27.36 | 1 | 5.7 | 12.5 | 1 |
| 381110-001 | 10 | 750 | 29.53 | 1 | 6.0 | 13.3 | 1 |
| 381111-001 | 11 | 805 | 31.69 | 1 | 6.5 | 14.3 | 1 |
| 381112-001 | 12 | 860 | 33.86 | 1 | 6.9 | 15.1 | 1 |

Delivered pre-assembled and ready to install. Use with 10.1 mm and 3/8, 1/2, 5/8 and 3/4 in. RAUPEX pipe. Compatible with REHAU manifold valve actuator (Art. 260166). Order manifold-to-pipe connectors separately (see R-20 compression-style manifold connections below).

Each PRO-BALANCE 1 in. manifold comes complete with the following:

- 1 in. NPT supply and return manifold isolation valves with gaskets and mini thermometers
- Visual flow gauges/isolation valves (0 to 2 GPM) on stainless steel supply header
- Circuit balancing/isolation valves on stainless steel return header
- Air vent drain valves with gaskets
- Mounting brackets
- Vent key and holder
- Installation instructions
- Manifold circuit chart

Notes:

- Manifold lengths above include the isolation ball valve 2.44 in (62 mm) and the air vent/boiler drain valves 2.24 in (57 mm)
- Maximum flow is 2.0 GPM (0.13 l/s) per circuit; and a total manifold flow of no more than 20 GPM (1.26 l/s)
- Depth of manifold is 3.9 in (10.0 cm) with bracket, valve and mini thermometer installed
- Can be joined to other manifold sections using 1 in. BSPP unions (Art. 316258-002)



| RAUPEX Connections for PRO-BALANCE Stainless Steel Manifolds | | | | | | | |
|--|--|------------------|-----|--------|-------------|------|--------------------|
| Article No. | Description | Package Quantity | | | Unit Weight | | Minimum Order |
| | | Bag | Box | Carton | g | lb | |
| 418315-001 | 3/8 in. RAUPEX x R-20 Nickel Plated Manifold Outlet | 2 | 40 | 240 | 76 | 0.17 | 1 bag/2 connectors |
| 418317-001 | 1/2 in. RAUPEX x R-20 Nickel Plated Manifold Outlet | 2 | 40 | 240 | 73 | 0.16 | 1 bag/2 connectors |
| 418318-001 | 5/8 in. RAUPEX x R-20 Nickel Plated Manifold Outlet | 2 | 40 | 240 | 73 | 0.16 | 1 bag/2 connectors |
| 418319-001 | 3/4 in. RAUPEX x R-20 Nickel Plated Manifold Outlet | 2 | 24 | 144 | 132 | 0.29 | 1 bag/2 connectors |

For use with 1 in. PRO-BALANCE stainless steel manifold. 3/8, 1/2 and 5/8 in. fittings include insert with O-ring, split brass ring and compression nut. 3/4 in. fitting includes R-20 x 1 in. bushing, 3/4 in. insert with O-ring, split brass ring and compression nut.



| PRO-BALANCE Stainless Steel Manifold Replacement Flow Gauges | | | | | |
|--|---|------------------|-------------|------|---------------|
| Article No. | Description | Package Quantity | Unit Weight | | Minimum Order |
| | | | g | lb | |
| 316252-002 | PRO-BALANCE 1 in. Flow Gauge Replacement Kit, Nickel Plated | 1 | 85 | 0.19 | 1 |

PRO-BALANCE flow gauge kits can be used to replace flow gauges on the supply side of the PRO-BALANCE stainless steel manifolds and connect directly with a 3/8 in. threaded connection. The replacement flow gauges have an integrated shutoff valve that is manually activated with a common vent key. Install using thread sealant.



| PRO-BALANCE Stainless Steel Manifold Circuit Balancing/Isolation Valves | | | | | |
|---|--|------------------|-------------|------|---------------|
| Article No. | Description | Package Quantity | Unit Weight | | Minimum Order |
| | | | g | lb | |
| 316254-002 | PRO-BALANCE Circuit Balancing/Isolation Valve, Nickel Plated | 1 | 90 | 0.19 | 1 |

Replacement circuit balancing/isolation valve for the return side of the 1 in. PRO-BALANCE stainless steel manifold. Install using thread sealant.



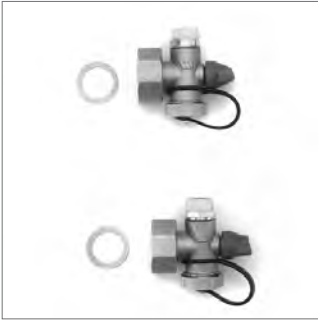
| PRO-BALANCE Stainless Steel Manifold Flow-stop Circuit Valves | | | | | |
|---|--|------------------|-------------|------|---------------|
| Article No. | Description | Package Quantity | Unit Weight | | Minimum Order |
| | | | kg | lb | |
| 316255-002 | PRO-BALANCE Flow-Stop Circuit Valve, Nickel Plated | 5/box | 0.12 | 0.26 | 1 box |

This nickel plated 1/4 turn ball valve attaches to R-20 circuit outlets on the supply side of 1 in. PRO-BALANCE stainless steel manifold to allow for complete shut-off. Standard 1/4 in. vent key (supplied with each manifold) is used to operate the valve. Install flow-stop valves by hand onto R-20 outlets of the manifold. Do not use thread sealant. Thread the valve clockwise until it stops. If necessary, back the valve off to align the valve stem with the front of the manifold. may only be used with 3/8, 1/2 and 5/8 in. R-20 outlets.



| NPT Valve Set With Thermometer Housings for PRO-BALANCE 1 in. Stainless Steel Manifolds | | | | | |
|---|--|------------------|-------------|------|---------------|
| Article No. | Description | Package Quantity | Unit Weight | | Minimum Order |
| | | | g | lb | |
| 316250-002 | 1 in. NPT Valve Set w/ Thermometer Housings, Nickel Plated | Set of 2 | 420 | 0.92 | 1 set |

These valves have integrated thermometer housings on each side of the valve bodies. Mini thermometers (Art. 250218) can be set into these housings to give accurate readings of temperatures on both supply and return sides of any PRO-BALANCE 1 in. manifold. Includes gaskets. Mini thermometers are sold separately.



PRO-BALANCE Stainless Steel Manifold Air Vent/Boiler Drain Combination Set

| Article No. | Description | Package Quantity | Unit Weight g | Unit Weight lb | Minimum Order |
|-------------|--|------------------|------------------|-------------------|---------------|
| 316257-002 | 1 in. BSPP Air Vent/Boiler Drain Combination Set w/ Gaskets, Nickel Plated | 1 set of 2 | 444 | 0.98 | 1 set |

This set includes air vent/boiler drain combination pieces with union nuts and gaskets. Manual air vent opens with 1/4 in. vent key (supplied with each manifold). Boiler drain ball valve includes male garden hose thread (GHT). Gasketed caps included.



PRO-BALANCE Stainless Steel Manifold Union Sets

| Article No. | Description | Package Quantity | Unit Weight g | Unit Weight lb | Minimum Order |
|-------------|---|------------------|------------------|-------------------|---------------|
| 316258-002 | 1 in. BSPP Unions w/ Gaskets, Nickel Plated | 1 set of 2 | 300 | 0.60 | 1 set |

For use with 1 in. PRO-BALANCE stainless steel manifolds to connect two or more manifolds together in series. Includes union nuts and gaskets. May be used to extend an installed manifold.



PRO-BALANCE Stainless Steel Manifold End Caps

| Article No. | Description | Package Quantity | Unit Weight g | Unit Weight lb | Minimum Order |
|-------------|---|------------------|------------------|-------------------|---------------|
| 316248-002 | 1 in. Manifold End Cap w/ Gasket, Nickel Plated | 1 | 100 | 0.22 | 1 |

Can be used to cap off end of any manifold header while eliminating usual end pieces. Includes gasket.



| PRO-BALANCE Stainless Steel Manifold BSPP 90° Angle Pieces | | | | | |
|--|---|------------------|---------------|----------------|---------------|
| Article No. | Description | Package Quantity | Unit Weight g | Unit Weight lb | Minimum Order |
| 316249-002 | 1 in. BSPP 90° Angle Piece w/ Gasket, Nickel Plated | 1 | 343 | 0.76 | 1 |

For 1 in. PRO-BALANCE stainless steel manifolds. Includes union nut and gasket. Can be used to install manifold isolation valves at a right angle to manifold.



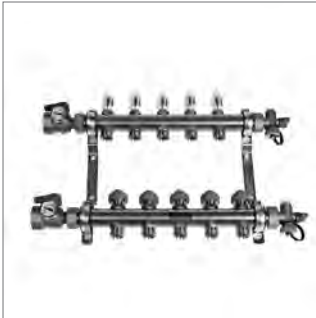
| PRO-BALANCE Blind Plugs | | | | | |
|-------------------------|--|------------------|---------------|----------------|---------------|
| Article No. | Description | Package Quantity | Unit Weight g | Unit Weight lb | Minimum Order |
| 298186-001 | Blind Plug 3/8 in. BSPP, Nickel Plated | 1 | 17 | 0.04 | 1 |

PRO-BALANCE blind plugs are nickel-plated brass plugs with an EPDM O-ring and can be used in place of the PRO-BALANCE flow gauges on the supply side of the PRO-BALANCE stainless steel manifolds. Install using thread sealant.



| PRO-BALANCE Manifold Protective Caps | | | | | |
|--------------------------------------|------------------------------------|------------------|---------------|----------------|---------------|
| Article No. | Description | Package Quantity | Unit Weight g | Unit Weight lb | Minimum Order |
| 321531-100 | PRO-BALANCE Protective Cap (White) | 1 | 3.6 | 0.01 | 1 |

6. PRO-BALANCE BRASS MANIFOLDS



PRO-BALANCE 1 in. Brass Manifold With Gauges

| Article No. | Stations | Manifold Length | | Package Quantity | Unit Weight | | Minimum Order |
|-------------|----------|-----------------|-------|------------------|-------------|------|---------------|
| | | mm | in | | kg | lb | |
| 240021-100 | 2 | 310 | 12.20 | 1 | 2.8 | 6.2 | 1 |
| 240031-100 | 3 | 365 | 14.37 | 1 | 3.2 | 7.1 | 1 |
| 240041-100 | 4 | 420 | 16.54 | 1 | 3.6 | 8.0 | 1 |
| 240051-100 | 5 | 475 | 18.70 | 1 | 4.0 | 8.9 | 1 |
| 240061-100 | 6 | 530 | 20.87 | 1 | 4.4 | 9.8 | 1 |
| 240071-100 | 7 | 585 | 23.03 | 1 | 4.9 | 10.7 | 1 |
| 240081-100 | 8 | 640 | 25.20 | 1 | 5.2 | 11.6 | 1 |
| 240091-100 | 9 | 695 | 27.36 | 1 | 5.7 | 12.5 | 1 |
| 240101-100 | 10 | 750 | 29.53 | 1 | 6.0 | 13.3 | 1 |
| 240111-100 | 11 | 805 | 31.69 | 1 | 6.5 | 14.3 | 1 |
| 240121-100 | 12 | 860 | 33.86 | 1 | 6.9 | 15.1 | 1 |

Delivered pre-assembled and ready to install. Use with 10.1 mm and 3/8, 1/2, 5/8 and 3/4 in. RAUPEX pipe. Compatible with REHAU manifold valve actuator (Art. 20166). Order manifold-to-pipe connectors separately (see R-20 compression-style manifold connections).

Each PRO-BALANCE 1 in. manifold comes complete with the following:

- 1 in. NPT supply and return manifold isolation valves with gaskets and mini thermometers
- Visual flow gauges/isolation valves (0 to 2 GPM) on brass supply header
- Circuit balancing/isolation valves on brass return header
- Mounting brackets
- Air vent drain valves with gaskets
- Vent keys
- Four drywall screws and four sheet metal screws
- Installation instructions
- Manifold circuit chart

Notes:

- Manifold lengths above include the isolation ball valve 2.44 in (62 mm) and the air vent/boiler drain valves 2.24 in (57 mm)
- Maximum flow is 2.0 GPM (0.13 l/s) per circuit; and a total manifold flow of no more than 20 GPM (1.26 l/s)
- Depth of manifold is 3.9 in (10.0 cm) with bracket, valve and mini thermometer installed
- Can be joined to other manifold sections using 1 in. BSPP unions (Art. 260407) or 1 in. BSPF x 1 in. BSPF x 1 1/4 in. BSPM union tee (Art. 250227-001).



| PRO-BALANCE 1 1/4 in. Brass Manifold With Gauges | | | | | | | |
|--|----------|-----------------|-------|------------------|-------------|------|---------------|
| Article No. | Stations | Manifold Length | | Package Quantity | Unit Weight | | Minimum Order |
| | | mm | in | | kg | lb | |
| 281841-101 | 4 | 398 | 15.08 | 1 | 5.0 | 11.0 | 1 |
| 281851-101 | 5 | 453 | 17.06 | 1 | 5.4 | 12.0 | 1 |
| 281861-101 | 6 | 508 | 19.02 | 1 | 6.0 | 13.1 | 1 |
| 281871-101 | 7 | 563 | 20.99 | 1 | 6.5 | 14.2 | 1 |
| 281881-101 | 8 | 618 | 22.95 | 1 | 6.9 | 15.3 | 1 |
| 281891-101 | 9 | 673 | 24.92 | 1 | 7.5 | 16.4 | 1 |
| 281801-101 | 10 | 728 | 26.89 | 1 | 9.2 | 20.3 | 1 |

Delivered pre-assembled and ready to install. Use with 3/8, 1/2, 5/8 and 3/4 in. RAUPEX pipe. Compatible with Manifold Valve Actuator (Art. 260166). Order manifold-to-pipe connectors separately (see R-20 compression-style manifold connections)

Each manifold comes complete with:

- Installation instructions
- 1 1/4 in. NPT supply and return manifold isolation ball valves with thermometer sockets and flat gaskets
- Two 1 1/4 in. BSPP brass end caps with gaskets
- Visual flow gauges (0 to 4 GPM) on supply side
- Circuit balancing/isolation valves on return side
- Mounting brackets
- Four drywall screws
- Vent key
- Manifold circuit chart

Notes:

- Mini Thermometers (Art. 250218) sold separately
- Manifold lengths above include the isolation ball valve 3.86 in (98 mm)
- Maximum flow is 4.0 GPM (0.25 l/s) per circuit; 40 GPM (2.52 l/s) total
- Depth of manifold is 4.50 in (11.4 cm) with bracket, valve and mini thermometer installed
- Can be joined to other manifold sections using 1 1/4 in. BSPP unions (Art. 281971-001) or 1 1/4 in. BSPP x 1 1/4 in. BSPP x 1 1/4 in. BSPM Union Tee (Art. 250228-001).



| RAUPEX Connections for PRO-BALANCE Brass Manifolds | | | | | | | |
|--|--|------------------|-----|--------|-------------|-------|--------------------|
| Article No. | Description | Package Quantity | | | Unit Weight | | Minimum Order |
| | | Bag | Box | Carton | g | lb | |
| 267507-101 | 3/8 in. RAUPEX x R-20 Brass Manifold Outlet | 2 | 40 | 240 | 76 | 0.17 | 1 bag/2 connectors |
| 261007-101 | 1/2 in. RAUPEX x R-20 Brass Manifold Outlet | 2 | 40 | 240 | 73 | 0.16 | 1 bag/2 connectors |
| 267557-101 | 5/8 in. RAUPEX x R-20 Brass Manifold Outlet | 2 | 40 | 240 | 73 | 0.16 | 1 bag/2 connectors |
| 267007-101 | 3/4 in. RAUPEX x R-20 Brass Manifold Outlet | 2 | 24 | 144 | 132 | 0.29 | 1 bag/2 connectors |
| 267007-100 | EPDM O-ring for RAUPEX Insert to R-20 Connection | 10 | 500 | n/a | 0.91 | 0.002 | 1 bag/10 rings |

For use with 1 and 1 1/4 in. PRO-BALANCE manifolds. 3/8, 1/2 and 5/8 in. fittings include insert with O-ring, split brass ring and compression nut. 3/4 in. fitting includes R-20 x 1 in. bushing, 3/4 in. insert with O-ring, split brass ring and compression nut.



PRO-BALANCE Brass Manifold Replacement Flow Gauges

| Article No. | Description | Package Quantity | Unit Weight g | Unit Weight lb | Minimum Order |
|-------------|--|------------------|------------------|-------------------|---------------|
| 250220-002 | PRO-BALANCE 1 in. Flow Gauge Replacement Kit | 1 | 85 | 0.19 | 1 |
| 281901-101 | PRO-BALANCE 1 1/4 in. Flow Gauge Replacement Kit | 1 | 85 | 0.19 | 1 |

PRO-BALANCE flow gauge kits can be used to replace PRO-BALANCE flow gauges on the supply side of the PRO-BALANCE brass manifolds and connect directly with a 3/8 in. threaded connection. The 1 in. gauge has an integrated shutoff valve that is manually activated with a common vent key. Install using thread sealant.



PRO-BALANCE Brass Manifold Circuit Balancing/Isolation Valves

| Article No. | Description | Package Quantity | Unit Weight g | Unit Weight lb | Minimum Order |
|-------------|---|------------------|------------------|-------------------|---------------|
| 250221 | PRO-BALANCE Circuit Balancing/Isolation Valve | 1 | 90 | 0.19 | 1 |

Replacement circuit balancing/isolation valve for the return side of the 1 and 1 1/4 in. PRO-BALANCE manifold. Install using thread sealant.



PRO-BALANCE Brass Manifold Flow-Stop Circuit Valves

| Article No. | Description | Package Quantity | Unit Weight kg | Unit Weight lb | Minimum Order |
|-------------|-------------------------------------|------------------|-------------------|-------------------|---------------|
| 250224 | PRO-BALANCE Flow-stop Circuit Valve | 5/box | 0.12 | 0.26 | 1 box |

This brass 1/4 turn ball valve attaches to R-20 circuit outlets on the supply side of 1 and 1 1/4 in. PRO-BALANCE manifolds to allow for complete shut-off. Standard 1/4 in. vent key (supplied with each manifold) is used to operate the valve. Install flow-stop valves by hand onto R-20 outlets of the PRO-BALANCE 1 in. manifold. Do not use thread sealant. Thread the valve clockwise until it stops. If necessary, back the valve off to align the valve stem with the front of the manifold. May only be used with 3/8, 1/2 and 5/8 in. R-20 outlets.



NPT Valve Set With Thermometer Housings for PRO-BALANCE 1 in. Brass Manifolds

| Article No. | Description | Package Quantity | Unit Weight g | Unit Weight lb | Minimum Order |
|-------------|---|------------------|------------------|-------------------|---------------|
| 250216 | 1 in. NPT Valve Set w/ Thermometer Housings | Set of 2 | 420 | 0.92 | 1 set |

These valves have integrated thermometer housings on each side of the valve bodies. Mini Thermometers (Art. 250218) can be set into these housings to give accurate readings of temperatures on both supply and return sides of any PRO-BALANCE 1 in. manifold. Includes gaskets. Mini thermometers are sold separately.



PRO-BALANCE 1 1/4 in. Brass Manifold NPT Isolation Ball Valve Sets

| Article No. | Description | Package Quantity | Unit Weight kg | Unit Weight lb | Minimum Order |
|-------------|--|------------------|-------------------|-------------------|---------------|
| 281931-001 | 1 1/4 in. NPT Isolation Valve Set w/ Gaskets | 1 set of 2 | 2.1 | 4.63 | 1 set |

These valves have integrated thermometer housings on each side of the valve bodies. Mini thermometers (Art. 250218) can be set into these housings to give accurate readings of temperatures on both supply and return sides of any PRO-BALANCE 1 1/4 in. manifold. Includes gaskets. Mini thermometers are sold separately.



| PRO-BALANCE Brass Manifold Air Vent/Boiler Drain Combination Sets | | | | | |
|---|---|------------------|---------------|----------------|---------------|
| Article No. | Description | Package Quantity | Unit Weight g | Unit Weight lb | Minimum Order |
| 250226 | 1 in. BSPP Air Vent/Boiler Drain Combination Set w/ Gaskets | 1 set of 2 | 444 | 0.98 | 1 set |

This set includes air vent/boiler drain combination pieces with union nuts and gaskets. Manual air vent opens with 1/4 in. vent key (supplied with each manifold). Boiler drain ball valve includes male garden hose thread (GHT) for convenient connections. Gasketed caps included.



| PRO-BALANCE Brass Manifold Automatic Air Vents | | | | | |
|--|---------------------------------|------------------|---------------|----------------|---------------|
| Article No. | Description | Package Quantity | Unit Weight g | Unit Weight lb | Minimum Order |
| 250212 | Automatic Air Vent 3/8 in. BSPP | 1 | 142 | 0.31 | 1 |

For 1 and 1 1/4 in. PRO-BALANCE manifolds. Can be used to replace manual air vent on air vent/boiler drain pieces (Art. 250226) to allow automatic elimination of entrained air in a hydronic system.



| PRO-BALANCE Brass Manifold Union Sets | | | | | |
|---------------------------------------|----------------------------------|------------------|---------------|----------------|---------------|
| Article No. | Description | Package Quantity | Unit Weight g | Unit Weight lb | Minimum Order |
| 260407 | 1 in. BSPP Unions w/ Gaskets | 1 set of 2 | 300 | 0.60 | 1 set |
| 281971-001 | 1 1/4 in. BSPP Unions w/ Gaskets | 1 set of 2 | 220 | 0.49 | 1 set |

For use with 1 and 1 1/4 in. PRO-BALANCE manifolds to connect two or more manifolds together in series. Includes union nuts and gaskets. May be used to extend an installed manifold.



| PRO-BALANCE 1 1/4 in. Brass Manifold Adapter Fittings | | | | | |
|---|-------------------------------------|------------------|---------------|----------------|---------------|
| Article No. | Description | Package Quantity | Unit Weight g | Unit Weight lb | Minimum Order |
| 298986-001 | 1 1/4 in. BSPP x 1 in. BSPM Adapter | 1 set of 2 | 129 | 0.28 | 1 set |

For use with PRO-BALANCE 1 1/4 in. brass manifolds to transition 1 1/4 in. BSPP x 1 in. BSPM in order to use air vent/boiler drain combination set (Art. 250226).



| PRO-BALANCE Brass Manifold End Caps | | | | | |
|-------------------------------------|--------------------------------------|------------------|---------------|----------------|---------------|
| Article No. | Description | Package Quantity | Unit Weight g | Unit Weight lb | Minimum Order |
| 250213 | 1 in. Manifold End Cap w/ Gasket | 1 | 100 | 0.22 | 1 |
| 281951-001 | 1 1/4 in. Manifold End Cap w/ Gasket | 1 | 100 | 0.22 | 1 |

Can be used to cap off end of any manifold header while eliminating usual end pieces. Includes gasket.



| PRO-BALANCE Brass Manifold BSPP 90° Angle Pieces | | | | | |
|--|--|------------------|---------------|----------------|---------------|
| Article No. | Description | Package Quantity | Unit Weight g | Unit Weight lb | Minimum Order |
| 250214 | 1 in. BSPP 90° Angle Piece w/ Gasket | 1 | 343 | 0.76 | 1 |
| 281981-001 | 1 1/4 in. BSPP 90° Angle Piece w/ Gasket | 1 | 418 | 0.92 | 1 |

For 1 and 1 1/4 in. PRO-BALANCE manifolds. Includes union nut and gasket. Can be used to install manifold isolation valves at a right angle to manifold.



| PRO-BALANCE Blind Plugs | | | | | |
|-------------------------|--|------------------|---------------|----------------|---------------|
| Article No. | Description | Package Quantity | Unit Weight g | Unit Weight lb | Minimum Order |
| 298186-001 | Blind Plug 3/8 in. BSPP, Nickel Plated | 1 | 17 | 0.04 | 1 |

PRO-BALANCE blind plugs are nickel-plated brass plugs with an EPDM O-ring and can be used in place of the PRO-BALANCE 1 and 1 1/4 in. flow gauges on the supply side of the PRO-BALANCE brass manifolds. Install using thread sealant.



| PRO-BALANCE Manifold Protective Caps | | | | | |
|--------------------------------------|-----------------------------------|------------------|---------------|----------------|---------------|
| Article No. | Description | Package Quantity | Unit Weight g | Unit Weight lb | Minimum Order |
| 298996-100 | PRO-BALANCE Protective Cap (Blue) | 1 | 3.6 | 0.01 | 1 |

7. PRO-BALANCE MANIFOLD ACCESSORIES



PRO-BALANCE Manifold Extension Kits

| Article No. | Description | Package Quantity | Unit Weight kg | Unit Weight lb | Minimum Order |
|-------------|---|------------------|-------------------|-------------------|---------------|
| 250225-100 | Extension Kit for PRO-BALANCE Manifolds | 1 | 1.0 | 2.2 | 1 |

Used to add a circuit to an existing PRO-BALANCE 1 in. manifold. The extension kit includes a supply section with a visual flow gauge, a return section with a circuit balancing/isolation valve and two gaskets.



PRO-BALANCE Pressure Differential Bypass Modules

| Article No. | Description | Package Quantity | Unit Weight kg | Unit Weight lb | Minimum Order |
|-------------|---|------------------|-------------------|-------------------|---------------|
| 281541-001 | PRO-BALANCE Pressure Differential Bypass Module | 1 | 1.3 | 2.8 | 1 |

This modular accessory connects directly to PRO-BALANCE manifold. Normally, a constant speed circulator is sized assuming that all circuits in a zone valve system may be open. The pressure differential bypass module provides a means to control the excess flow (velocity) that would otherwise occur when actuators close. Installation of this module onto the 1 in. PRO-BALANCE manifolds creates an automatically regulated flow path such that operating zone circuits do not see unnecessarily high flow.



PRO-BALANCE Manifold Flow Setter Valves

| Article No. | Description | Package Quantity | Unit Weight g | Unit Weight lb | Minimum Order |
|-------------|--|------------------|------------------|-------------------|---------------|
| 244807-001 | 1/2 to 4 GPM PRO-BALANCE Flow Setter Valve | 1 | 760 | 1.67 | 1 |

PRO-BALANCE flow setter valves are used to set flow to PRO-BALANCE 1 in. manifolds and can be installed in-line into any pipe feeding a manifold. This is ideal when multiple manifolds are fed from a single circulator and flow needs to be set correctly to each. PRO-BALANCE flow setter valves are also used in variable speed injection pump mixing systems to set the flow through the injection loop.

PRO-BALANCE flow setter valves are supplied with two gaskets and adapters converting to 1 in. MPT.



PRO-BALANCE Mixing Modules

| Article No. | Description | Package Quantity | Unit Weight kg | Unit Weight lb | Minimum Order |
|-------------|---------------------------|------------------|-------------------|-------------------|---------------|
| 281501-001 | PRO-BALANCE Mixing Module | 1 | 4.10 | 9 | 1 |

Intended for small radiant heating applications using a fixed "set point" temperature supply. Designed to fit directly to the left or right of the PRO-BALANCE manifold. The supply temperature to the manifold may be adjusted between 68 and 158°F (20 and 70°C), by means of temperature controlled injection valve. The injection valve has features that can limit the manual adjustment of the valve to prevent tampering and/or over-heating. The module pump would be typically energized by a room thermostat via a relay. The relay could be energized by a thermostat or via the end of the actuator of one of the REHAU electronic boxes.

Specifications:

- Max. acceptable working temperature/pressure:
- Pump:

176°F (80°C) / 87 psi (6 bar)

Grundfos UP 15-58-130 mm 1 in. BSPM connections; 3-speed cast iron "SUPERBRUTE"; Integral check valve; 115 VAC, 2 pole, single phase; Flow range: 0 to 17.5 US GPM; Head range: 0 to 19 ft



| PRO-BALANCE Manifold Circuit Outlet Caps | | | | | |
|--|-----------------------------------|------------------|---------------|----------------|---------------|
| Article No. | Description | Package Quantity | Unit Weight g | Unit Weight lb | Minimum Order |
| 250209-C | R-20 Circuit Outlet Cap w/ Gasket | 1 | 28 | 0.07 | 1 |

Circuit outlet cap is used to cap off unused outlets on any 1 and 1 1/4 in. PRO-BALANCE manifold. Includes gasket.



| PRO-BALANCE Manifold Union Tee Sets | | | | | |
|-------------------------------------|--|------------------|----------------|----------------|---------------|
| Article No. | Description | Package Quantity | Unit Weight kg | Unit Weight lb | Minimum Order |
| 250227-001 | 1 in. BSPP Manifold Union Tee Set w/ Gaskets | 1 set of 2 | 0.60 | 1.32 | 1 set |
| 250228-001 | 1 1/4 in. BSPP Manifold Union Tee Set w/ Gaskets | 1 set of 2 | 1.50 | 3.30 | 1 set |

Male thread connections for Manifold Union Tee Sets are 1 1/4 in. BSPM. Sets are supplied with gaskets.



| PRO-BALANCE Manifold Mini Thermometers | | | | | |
|--|------------------|------------------|---------------|----------------|---------------|
| Article No. | Description | Package Quantity | Unit Weight g | Unit Weight lb | Minimum Order |
| 250218 | Mini Thermometer | 1 | 24 | 0.05 | 1 |

Mini thermometers can be set into the housings on 1 1/4 or 1 in. NPT valves with thermometer housings to give accurate readings of temperatures on both supply and return sides of any PRO-BALANCE manifold (for use only with these valves). Thermometers read from 40 to 200°F and 0 to 100°C. Valves sold separately.



| PRO-BALANCE Manifold Gaskets | | | | | |
|------------------------------|--|------------------|---------------|----------------|---------------|
| Article No. | Description | Package Quantity | Unit Weight g | Unit Weight lb | Minimum Order |
| 250203-G | Fiber Gasket for 1 in. Manifold Valve | 1 | 0.91 | 0.002 | 1 |
| 281811-001 | Fiber Gasket for 1 1/4 in. Manifold Valve | 1 | 1.36 | 0.003 | 1 |
| 327714-001 | Rubber Gasket for 1 in. Manifold Valve | 1 | 1.36 | 0.003 | 1 |
| 327715-001 | Rubber Gasket for 1 1/4 in. Manifold Valve | 1 | 2.27 | 0.005 | 1 |



| PRO-BALANCE Manifold Brackets | | | | | |
|-------------------------------|-----------------------------------|------------------|----------------|----------------|---------------|
| Article No. | Description | Package Quantity | Unit Weight kg | Unit Weight lb | Minimum Order |
| 261386 | 1 1/4 in. Steel Manifold Brackets | Set of 2 | 0.45 | 1.0 | 1 set |
| 261396 | 1 1/2 in. Steel Manifold Brackets | Set of 2 | 0.50 | 1.1 | 1 set |

Steel manifold brackets are for use with PRO-BALANCE 1 in. and 1 1/4 in. manifolds



| PRO-BALANCE White Surface Mount Manifold Cabinets | | | | | | |
|---|--|-------------------------------|------------------|----------------|----------------|---------------|
| Article No. | Description | Typical Station Configuration | Package Quantity | Unit Weight kg | Unit Weight lb | Minimum Order |
| 347400-512 | White Surface Mount Manifold Cabinet 16W | Up to 3 | 1 | 12.5 | 27.6 | 1 |
| 347410-512 | White Surface Mount Manifold Cabinet 20W | Up To 5 | 1 | 16.1 | 35.5 | 1 |
| 347420-512 | White Surface Mount Manifold Cabinet 28W | Up to 8 | 1 | 19.1 | 42.1 | 1 |
| 347430-512 | White Surface Mount Manifold Cabinet 36W | Up to 11 | 1 | 22.7 | 50.0 | 1 |
| 347440-512 | White Surface Mount Manifold Cabinet 44W | Up to 12 | 1 | 23.9 | 52.7 | 1 |
| 347450-512 | White Surface Mount Manifold Cabinet 50W | Up to 12 | 1 | 26.8 | 59.1 | 1 |

PRO-BALANCE manifold cabinets for surface installations. The cabinets are made from galvanized steel with basic white powder coat finish (RAL 9016 / Pantone 705). Internal brackets allow for mounting of PRO-BALANCE 1 and 1/4 in. manifolds. Removable coverplate below door extends cabinet opening to the floor (27 in / 69 cm). Cabinet steel door includes lock.

| PRO-BALANCE Stainless Steel Surface Mount Manifold Cabinets | | | | | | |
|---|--|-------------------------------|------------------|----------------|----------------|---------------|
| Article No. | Description | Typical Station Configuration | Package Quantity | Unit Weight kg | Unit Weight lb | Minimum Order |
| 316853-512* | Stainless Surface Mount Manifold Cabinet 16W | Up to 3 | 1 | 12.5 | 27.6 | 1 |
| 316854-512* | Stainless Surface Mount Manifold Cabinet 20W | Up To 5 | 1 | 16.1 | 35.5 | 1 |
| 316855-512* | Stainless Surface Mount Manifold Cabinet 28W | Up to 8 | 1 | 19.1 | 42.1 | 1 |
| 316856-512* | Stainless Surface Mount Manifold Cabinet 36W | Up to 11 | 1 | 22.7 | 50.0 | 1 |
| 316857-512* | Stainless Surface Mount Manifold Cabinet 44W | Up to 12 | 1 | 23.9 | 52.7 | 1 |
| 316858-512* | Stainless Surface Mount Manifold Cabinet 50W | Up to 12 | 1 | 26.8 | 59.1 | 1 |

* This item is not stocked. Lead times may vary.

PRO-BALANCE manifold cabinets for surface installations. The cabinets are made from 304 stainless. Internal brackets allow for mounting of PRO-BALANCE 1 and 1/4 in. manifolds. Removable coverplate below door extends cabinet opening to the floor (27 in / 69 cm). Cabinet steel door includes lock.



| PRO-BALANCE White Flush Mount Manifold Cabinets | | | | | | |
|---|--|-------------------------------|------------------|----------------|----------------|---------------|
| Article No. | Description | Typical Station Configuration | Package Quantity | Unit Weight kg | Unit Weight lb | Minimum Order |
| 345400-512 | White Flush Mount Manifold Cabinet 16W | Up to 3 | 1 | 13.7 | 30.2 | 1 |
| 345410-512 | White Flush Mount Manifold Cabinet 20W | Up to 5 | 1 | 17.4 | 38.4 | 1 |
| 345420-512 | White Flush Mount Manifold Cabinet 28W | Up to 8 | 1 | 20.3 | 44.8 | 1 |
| 345430-512 | White Flush Mount Manifold Cabinet 36W | Up to 11 | 1 | 23.2 | 51.1 | 1 |
| 345440-512 | White Flush Mount Manifold Cabinet 44W | Up to 12 | 1 | 26.6 | 58.6 | 1 |
| 345450-512 | White Flush Mount Manifold Cabinet 50W | Up to 12 | 1 | 30.1 | 66.4 | 1 |

PRO-BALANCE manifold cabinets for flush installation. The cabinets are made from galvanized steel and the frame/door assembly is basic white powder coat finish (RAL 9016 / Pantone 705). Internal brackets allow for mounting of PRO-BALANCE manifolds. Pipe knockouts on both sides allow for pipe connections to the manifold. Cabinet has adjustable legs (0 - 5.7 in / 0 - 15 cm) and screed coverplate (sold separately) to stand the cabinet on the floor with an existing opening. Legs may be removed and the enclosure can be mounted in the wall cavity. The frame/door assembly is adjustable to account for the thickness of the gypsum or other wall coverings (0 - 1.5 in / 0 - 4 cm). Cabinet steel door includes lock.



PRO-BALANCE White Flush Mount Manifold Cabinet Screed Plates

| Article No. | Description | Package Quantity | Unit Weight | | Minimum Order |
|-------------|---|------------------|-------------|-----|---------------|
| | | | kg | lb | |
| 217637-001 | Screed Coverplate for White Flush Cabinet 16W | 1 | 0.7 | 1.5 | 1 |
| 217642-001 | Screed Coverplate for White Flush Cabinet 20W | 1 | 0.8 | 1.8 | 1 |
| 217647-001 | Screed Coverplate for White Flush Cabinet 28W | 1 | 1.1 | 2.4 | 1 |
| 217652-001 | Screed Coverplate for White Flush Cabinet 36W | 1 | 1.4 | 3.0 | 1 |
| 217657-001 | Screed Coverplate for White Flush Cabinet 44W | 1 | 1.6 | 3.6 | 1 |
| 217662-001 | Screed Coverplate for White Flush Cabinet 50W | 1 | 1.8 | 4.1 | 1 |

Manifold cabinet screed coverplate used to finish opening for flush mounted cabinets when installed standing on the floor.



PRO-BALANCE Manifold Cabinet Locks

| Article No. | Description | Mounting Hole | Unit Weight | | Minimum Order |
|-------------|---|---------------------|-------------|------|---------------|
| | | | g | lb | |
| 217688-001 | Keyed Lock for 34XXXX Manifold Cabinets | 19 mm square | 41 | 0.09 | 1 set |
| 298606-001 | Keyed Lock for 24XXXX Manifold Cabinets | 15 x 18 mm double-D | 41 | 0.09 | 1 set |

Manifold cabinet lock with two keys can be used to replace the pre-installed clip-locks on all manifold cabinets.

8. ZONE CONTROLS AND THERMOSTATS



| Manifold Actuator Controls— Wiring Junction Box with Transformers | | | | | |
|---|-----------------------------|------------------|-------------|------|---------------|
| Article No. | Description | Package Quantity | Unit Weight | | Minimum Order |
| | | | kg | lb | |
| 298276-001 | 4 Manifold Actuator Control | 1 | 2.45 | 5.45 | 1 |
| 298286-001 | 6 Manifold Actuator Control | 1 | 2.68 | 5.87 | 1 |

The REHAU manifold actuator controls are designed to simplify the wiring process. Easy to follow PC board and secure screw terminal layout eliminates problems caused by incorrect wiring. External indicator lights confirm operation sequence and diagnostic feedback. The unit includes two built-in 40 VA transformers. Extra fuses provided.



| Zone Pump Relay Controls— Wiring Junction Box with Transformer and Priority | | | | | |
|---|---------------------------|------------------|-------------|------|---------------|
| Article No. | Description | Package Quantity | Unit Weight | | Minimum Order |
| | | | kg | lb | |
| 298726-001 | 3 Zone Pump Relay Control | 1 | 1.49 | 3.28 | 1 |
| 298756-001 | 4 Zone Pump Relay Control | 1 | 1.52 | 3.35 | 1 |
| 298766-001 | 6 Zone Pump Relay Control | 1 | 1.64 | 3.62 | 1 |

The REHAU zone pump relay controls are designed to simplify the wiring process. Easy to follow PC board and secure screw terminal layout eliminates problems caused by incorrect wiring. External indicator lights confirm operation sequence and diagnostic feedback. Each unit includes a 15 VA transformer ready to power thermostats. Relays are individually fuse protected. Two spare fuses built-in.



| Zone Control Modules | | | | | |
|-------------------------|-----------------------------|------------------|-------------|-----|---------------|
| Article No. | Description | Package Quantity | Unit Weight | | Minimum Order |
| | | | kg | lb | |
| 243047-001 | Zone Control, 4 Zone Module | 1 | 0.45 | 1.0 | 1 |
| 243077-001 ⁺ | Zone Control, 6 Zone Module | 1 | 0.56 | 1.2 | 1 |

⁺ This item is not stocked. Lead times may vary.

The zone control module provides a convenient low-voltage wiring panel for thermostats and manifold valve actuators. The zone control module is for use with REHAU thermostats (Art. 236477-001, 236487-001, 398022-001 and 398023-001) and manifold valve actuators (Art. 260166, 260167).

The zone control module may control up to four zones (thermostats), with up to eight actuators (maximum two per zone). Each zone has a terminal for end-switch wires, provided on REHAU manifold valve actuators, to operate circulator pumps, boiler, etc. (through a separate low-voltage relay). For more than four zones (thermostats), additional modules can be connected using standard wire.



| Dual Sensing Dial Thermostats | | | | | |
|-------------------------------|------------------------------|------------------|---------------|----------------|---------------|
| Article No. | Description | Package Quantity | Unit Weight g | Unit Weight lb | Minimum Order |
| 236477-001 | Dual Sensing Dial Thermostat | 1 | 84 | 0.185 | 1 |

The display on this 3-wire thermostat is a simple easy-to-use dial with a red LED that is lit when there is a call for heat. With the optional floor sensor, this thermostat can regulate either the floor or the room temperature or both, in which case the floor sensor is used as a temperature limiter, either high or low limit. This thermostat also comes with both °F and °C dials.

This thermostat has a 4x DIP switch which allows for limited programming and system configuration. This includes setting high and low floor temperature limits and allowing the thermostat to operate as a simple on/off switch or with PWM anticipation logic.

This thermostat can directly control up to four manifold valve actuators (Art. 260166), either independently or when used with REHAU electronic controls. The thermostat may also be used to control relays and other low voltage controls. This thermostat uses silent operation electronic triac output. 18 AWG or similar wire is recommended for all 24 VAC wiring.

Notes:

- Floor/slab sensor requires two additional wires—from slab sensor to thermostat
- Daily programming is not offered on this thermostat
- Requires 24 VAC power source
- For optional floor sensor use Art. 236497-001



| Dual Sensing Digital Thermostats | | | | | |
|----------------------------------|---------------------------------|------------------|---------------|----------------|---------------|
| Article No. | Description | Package Quantity | Unit Weight g | Unit Weight lb | Minimum Order |
| 236487-002 | Dual Sensing Digital Thermostat | 1 | 96 | 0.21 | 1 |

This 3-wire thermostat offers system set-up capabilities with simple, easy-to-use menus. There is a reduced operating mode which may be used for nighttime and vacation periods. With the optional floor sensor this thermostat can regulate either the floor or the room temperature or both. In that case the floor sensor is used as a temperature limiter, either high or low limit. Additional features include pump exercise, °F or °C capabilities and air/floor priority.

This thermostat can directly control up to four manifold valve actuators (Art. 260166), either independently or when used with REHAU electronic controls. Thermostat may also be used to control relays and other low voltage controls. This thermostat uses silent operation electronic triac output. 18 AWG or similar wire is recommended for all 24 VAC wiring.

Notes:

- Floor/slab sensor requires two additional wires—from slab sensor to thermostat
- Requires 24 VAC power source
- For optional floor sensor use Art. 236497-001



| 10K Floor Sensors | | | | | |
|-------------------|---------------------------------|------------------|---------------|----------------|---------------|
| Article No. | Description | Package Quantity | Unit Weight g | Unit Weight lb | Minimum Order |
| 236497-001 | 10K Floor Sensor (9.8 ft / 3 m) | 1 | 62 | 0.14 | 1 |

Optional floor sensor for dual sensing thermostats. To be used only with Dual Sensing Dial Thermostat (Art. 236477-001) or Dual Sensing Digital Thermostat (Art. 236487-001).



| Single-Stage Non-programmable Radiant Heating Thermostats With Floor Sensor | | | | | |
|---|--|------------------|-------------|------|---------------|
| Article No. | Description | Package Quantity | Unit Weight | | Minimum Order |
| | | | kg | lb | |
| 398022-001+ | Single-stage Non-programmable RFH Thermostat (519) | 1 | 0.27 | 0.60 | 1 |

+ This item is not stocked. Lead times may vary.

Single-stage non-programmable radiant heating thermostat with floor sensor is designed specifically to control hydronic radiant heating zones using pulse width modulation (PWM) technology. Simple up and down buttons and a display with large type make this thermostat easy to read and use. Included slab sensor measures radiant floor temperature to protect the floor from overheating and to enhance comfort.

The thermostat requires 24 VAC power supply and can be used to directly control up to seven REHAU manifold actuators (Art. 260166, 260167). This thermostat can also be used with REHAU zone controls. 4-conductor 18 AWG or similar wire is recommended for all 24 VAC wiring.



| Two-stage Programmable Radiant Heating Thermostats with Floor Sensor | | | | | |
|--|---|------------------|-------------|------|---------------|
| Article No. | Description | Package Quantity | Unit Weight | | Minimum Order |
| | | | kg | lb | |
| 398023-001 | Two-stage Programmable RFH Thermostat (521) | 1 | 0.27 | 0.60 | 1 |

Two-stage programmable radiant heating thermostat offers three modes of operation: one stage of heating, one stage of heating and one stage of cooling with fan, or two stages of heating with fan. Included slab sensor measures radiant floor temperature to protect the floor from overheating and to enhance comfort. The programmable schedule supports either a 7-day or 24-hour schedule with 2 or 4 events per day. A permanent temperature hold button overrides the programmable schedule.

The thermostat requires 24 VAC power supply and can be used to directly control up to seven REHAU manifold actuators (Art. 260166, 260167). This thermostat can also be used with REHAU zone controls. 4-conductor 18 AWG or similar wire is recommended for all 24 VAC wiring.



| Accessories for Digital Thermostats | | | | | |
|-------------------------------------|--|------------------|-------------|------|---------------|
| Article No. | Description | Package Quantity | Unit Weight | | Minimum Order |
| | | | g | lb | |
| 236397 | Floor Sensor for Digital Thermostat | 1 | 26 | 0.06 | 1 |
| 315837-001+ | Adapter Plate for Thermostats (519)(521) | 1 | 50 | 0.10 | 1 |

+ This item is not stocked. Lead times may vary.

The floor sensor (Art. 236397) can be used for floor warming applications and/or to help limit (maximum and/or minimum) floor temperatures. Sensor is completely encased in a protective jacket and can be encased in concrete (it is recommended to slide sensor through a short protective conduit where the wires enter/exit the concrete or gypsum cement). Sensor comes with 10 ft (3 m) of 2-conductor wire.

The Adaptor Plate (Art. 315837-001) covers the paint ring left behind when replacing other thermostats, so that no patching or painting the wall is required. The plate also allows the thermostat to be installed onto a single-gang electrical box and includes screws for mounting the adaptor plate and the device that attaches to it. This adaptor is compatible with thermostats Art. 398022-001 and Art. 398023-001.



| Flush Mount Indoor Sensors | | | | | |
|----------------------------|---------------------------|------------------|-------------|-----|---------------|
| Article No. | Description | Package Quantity | Unit Weight | | Minimum Order |
| | | | g | lb | |
| 315838-001+ | Flush Mount Indoor Sensor | 1 | 50 | 0.1 | 1 |

+ This item is not stocked. Lead times may vary.

The flush mount indoor sensor mounts flush or nearly flush to the wall. Sensor material is corrosion resistant, allowing drywall installers to mud over the sensor, or the sensor can be painted to match the existing wall color. The sensor can only be connected to thermostats Art. 398022-001 or Art. 398023-001 for remote temperature sensing.



4-wire Manifold Valve Actuator for PRO-BALANCE Manifolds

| Article No. | Description | Package Quantity | Unit Weight g | Unit Weight lb | Minimum Order |
|-------------|--------------------------------|------------------|------------------|-------------------|---------------|
| 260166 | 4-wire Manifold Valve Actuator | 1 | 131 | 0.29 | 1 |

The 4-wire manifold valve actuator is used to open and close circuit valves on the 1 and 1 1/4 in. PRO-BALANCE manifolds. Use REHAU thermostats to control actuators directly, or connect through REHAU electronic controls.

Features and specifications:

- Gray position indicator provides visual verification of the actuator’s position. When the actuator is off and closed, the gray indicator is flush with the top of the actuator. When the actuator is on and open, the gray indicator will rise out of the top of the actuator and be visible from the side.
- Red pull-out tab is provided to allow easy installation onto the manifold. After installation, remove red tab.
- A dry-contact end switch is built into the actuator. This end switch can be used to operate 24 VAC (2 amps max.) relays for pumps and other devices and can be wired so that pumps turn on only when actuator is fully open.
- If required, connect the green end switch wires to a suitable 24 VAC-powered relay to activate a device to be operated by the actuator’s end switch or connect these wires directly into an appropriate zone control module.
- 24 VAC “thermal motor” heating element melts a wax cartridge, allowing the actuator to open when there is a call for heat (power on). When the power is off, the wax cools and closes the valve (normally closed). Operation takes 3-4 minutes.
- 4 wires: blue/brown – apply 24 VAC power; green (2) – end switch. Length – 40 in (100 cm).
- Ambient operating temperature range of 32 to 140°F (0 to 60°C).
- Low power draw: approximately 2 VA in operation. Maximum 4.5 VA when first powered. Ensure transformer has sufficient power (VA) to operate all actuators.



RA Two-way Zone Valves

| Article No. | Description | Cv | Package Quantity | Unit Weight kg | Unit Weight lb | Minimum Order |
|-------------|------------------------------------|-----|------------------|-------------------|-------------------|---------------|
| 260027 | 3/4 in. FPT x 3/4 in. MPT RA Valve | 2.7 | 1 | 0.44 | 0.97 | 1 |
| 260037 | 1 in. FPT x 1 in. MPT RA Valve | 2.8 | 1 | 0.67 | 1.48 | 1 |

Build your own balancing manifold with these attachments for copper manifolds. Can be combined with the manifold valve actuator for RA valve (Art. 260167) for electric thermostat control (not the standard manifold valve actuator Art. 260166). 3/4 and 1 in. RA valve connections are as noted.



Manifold Valve Actuator for RA Valves

| Article No. | Description | Package Quantity | Unit Weight kg | Unit Weight lb | Minimum Order |
|-------------|--------------------------------------|------------------|-------------------|-------------------|---------------|
| 260167 | Manifold Valve Actuator for RA Valve | 1 | 0.14 | 0.30 | 1 |

The 4-wire manifold valve actuator is a special version for use with RA valves. This includes balancing valves for 3/4 and 1 in. (Art. 260027 and 260037).

9. F2080 COMPRESSION-SLEEVE SYSTEM

F2080 compression-sleeve fittings are intended for heating, snow and ice melting and hydronic distribution, when used with RAUPEX PEXa pipes. F2080 compression-sleeve joints create reliable connections that can be walled in or embedded directly in a thermal mass (when wrapped in waterproof, rubber tape or RAUCROSS™ heat shrink tubing for corrosion protection – check local codes for compliance).

Installation is performed with REHAU F2080 compression-sleeve tools. Follow all published installation instructions. F2080 compression-sleeve fittings are not certified for potable water applications.



| Compression Sleeves | | | | | | |
|---------------------|----------------------|------------------|--------|-------------|------|---------------|
| Article No. | Description | Package Quantity | | Unit Weight | | Minimum Order |
| | | Box | Carton | g | lb | |
| 243507-101 | 3/8 in. F2080 Sleeve | 150 | 900 | 20 | 0.05 | 1 box |
| 260077-101 | 1/2 in. F2080 Sleeve | 150 | 900 | 23 | 0.05 | 1 box |
| 243607-101 | 5/8 in. F2080 Sleeve | 40 | 240 | 56 | 0.12 | 1 box |
| 260577-101 | 3/4 in. F2080 Sleeve | 80 | 480 | 37 | 0.08 | 1 box |
| 260877-101 | 1 in. F2080 Sleeve | 40 | 240 | 73 | 0.16 | 1 box |

Compression sleeves are unplated brass. Tapered end installs toward fitting.



| Couplings | | | | | | |
|-------------|------------------------------|------------------|--------|-------------|------|---------------|
| Article No. | Description | Package Quantity | | Unit Weight | | Minimum Order |
| | | Box | Carton | g | lb | |
| 243517-101 | 3/8 x 3/8 in. F2080 Coupling | 70 | 420 | 36 | 0.08 | 1 box |
| 260227-101 | 1/2 x 1/2 in. F2080 Coupling | 60 | 360 | 54 | 0.12 | 1 box |
| 243627-101 | 5/8 x 5/8 in. F2080 Coupling | 40 | 240 | 76 | 0.17 | 1 box |
| 260317-101 | 3/4 x 3/4 in. F2080 Coupling | 35 | 210 | 82 | 0.18 | 1 box |
| 260427-101 | 1 x 1 in. F2080 Coupling | 20 | 120 | 136 | 0.30 | 1 box |



| Reducer Couplings | | | | | | |
|-------------------|------------------------------|------------------|--------|-------------|------|---------------|
| Article No. | Description | Package Quantity | | Unit Weight | | Minimum Order |
| | | Box | Carton | g | lb | |
| 260247-101 | 3/4 x 1/2 in. F2080 Coupling | 45 | 270 | 68 | 0.15 | 1 box |
| 260447-101 | 1 x 3/4 in. F2080 Coupling | 25 | 150 | 114 | 0.25 | 1 box |



| Plugs | | | | | | |
|-------------|--------------------|------------------|--------|-------------|------|---------------|
| Article No. | Description | Package Quantity | | Unit Weight | | Minimum Order |
| | | Box | Carton | g | lb | |
| 260087-101 | 1/2 in. F2080 Plug | 100 | 600 | 32 | 0.07 | 1 box |
| 260397-101 | 3/4 in. F2080 Plug | 60 | 360 | 54 | 0.12 | 1 box |
| 260497-101 | 1 in. F2080 Plug | 30 | 180 | 91 | 0.20 | 1 box |



| Adapters | | | | | | |
|-------------|---|------------------|--------|-------------|------|---------------|
| Article No. | Description | Package Quantity | | Unit Weight | | Minimum Order |
| | | Box | Carton | g | lb | |
| 260017-101 | 1/2 in. F2080 x 3/8 in. C Female (Sweat) or 1/2 in. C Male (Street) Adapter | 65 | 390 | 41 | 0.09 | 1 box |
| 260047-101 | 1/2 in. F2080 x 1/2 in. C Female (Sweat) Adapter | 65 | 390 | 45 | 0.10 | 1 box |
| 243637-101 | 5/8 in. F2080 x 1 in. C Male (Street) or 3/4 in. C Female (Sweat) Adapter | 30 | 180 | 115 | 0.25 | 1 box |
| 260807-101 | 3/4 in. F2080 x 1 in. C Female (Sweat) Adapter | 25 | 150 | 114 | 0.25 | 1 box |
| 260827-101 | 3/4 in. F2080 x 3/4 in. C Male (Street) or 1/2 in. C Female (Sweat) Adapter | 35 | 210 | 82 | 0.18 | 1 box |
| 260837-101 | 3/4 in. F2080 x 1 in. C Male (Street) or 3/4 in. C Female (Sweat) Adapter | 25 | 150 | 118 | 0.26 | 1 box |
| 260417-101 | 1 in. F2080 x 1 in. C Male (Street) or 3/4 in. C Female (Sweat) Adapter | 25 | 150 | 136 | 0.30 | 1 box |

Copper adapters connect RAUPEX pipe to copper pipe in sizes indicated. Many of these copper adapters can be used as male (street) or female (sweat) fittings. Make solder connection before connecting to RAUPEX pipe.



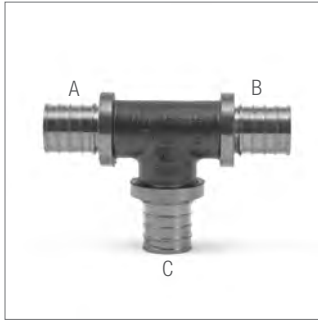
| Dual MPT Adapters | | | | | | |
|-------------------|---|------------------|--------|-------------|------|---------------|
| Article No. | Description | Package Quantity | | Unit Weight | | Minimum Order |
| | | Box | Carton | g | lb | |
| 243537-101 | 3/8 in. F2080 x 1/2 in. MPT or 1/2 in. C Female (Sweat) Adapter | 50 | 300 | 59 | 0.13 | 1 box |
| 260237-101 | 1/2 in. F2080 x 1/2 in. MPT or 1/2 in. C Female (Sweat) Adapter | 45 | 210 | 68 | 0.15 | 1 box |
| 243647-101 | 5/8 in. F2080 x 1/2 in. MPT or 1/2 in. C Female (Sweat) Adapter | 35 | 210 | 91 | 0.20 | 1 box |
| 260327-101 | 3/4 in. F2080 x 3/4 in. MPT or 1/2 in. C Female (Sweat) Adapter | 25 | 150 | 122 | 0.27 | 1 box |
| 260597-101 | 3/4 in. F2080 x 1 in. MPT or 3/4 in. C Female (Sweat) Adapter | 20 | 120 | 146 | 0.32 | 1 box |
| 260437-101 | 1 in. F2080 x 1 in. MPT or 3/4 in. C Female (Sweat) Adapter | 15 | 90 | 195 | 0.43 | 1 box |

Dual adapters connect RAUPEX pipe to either female threaded fittings (first size) or copper pipe (second size) in sizes indicated. Make threaded or solder connections before connecting to RAUPEX pipe.

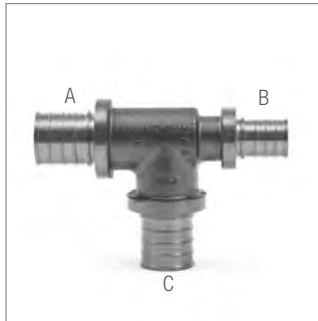


| FPT Adapters | | | | | | |
|--------------|-------------------------------------|------------------|--------|-------------|------|---------------|
| Article No. | Description | Package Quantity | | Unit Weight | | Minimum Order |
| | | Box | Carton | g | lb | |
| 260287-101 | 1/2 in. F2080 x 1/2 in. FPT Adapter | 35 | 210 | 0.07 | 0.16 | 1 box |
| 260387-101 | 3/4 in. F2080 x 3/4 in. FPT Adapter | 25 | 150 | 0.13 | 0.28 | 1 box |
| 260487-101 | 1 in. F2080 x 1 in. FPT Adapter | 10 | 60 | 0.23 | 0.51 | 1 box |

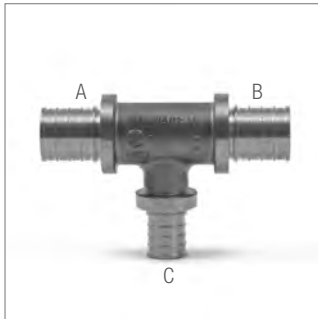
FPT adapters connect RAUPEX pipe to male threaded fittings in sizes indicated. Make threaded connections before connecting to RAUPEX.



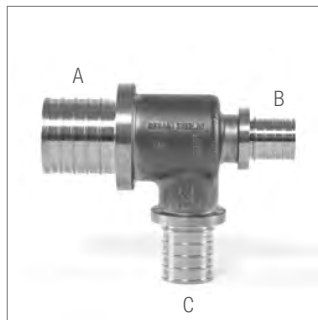
| Straight Tees | | | | | | |
|---------------|-------------------------------|------------------|--------|-------------|------|---------------|
| Article No. | Description (A x B x C) | Package Quantity | | Unit Weight | | Minimum Order |
| | | Box | Carton | g | lb | |
| 260607-101 | 1/2 x 1/2 x 1/2 in. F2080 Tee | 25 | 150 | 114 | 0.25 | 1 box |
| 260617-101 | 3/4 x 3/4 x 3/4 in. F2080 Tee | 15 | 90 | 191 | 0.42 | 1 box |
| 260977-101 | 1 x 1 x 1 in. F2080 Tee | 8 | 48 | 349 | 0.77 | 1 box |



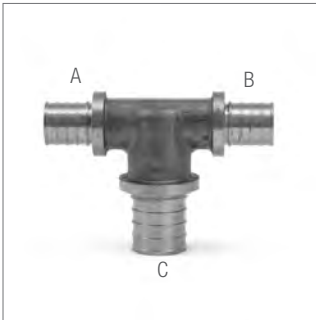
| Run Reducing Tees | | | | | | |
|-------------------|-------------------------------|------------------|--------|-------------|------|---------------|
| Article No. | Description (A x B x C) | Package Quantity | | Unit Weight | | Minimum Order |
| | | Box | Carton | g | lb | |
| 260647-101 | 3/4 x 1/2 x 3/4 in. F2080 Tee | 15 | 90 | 172 | 0.38 | 1 box |
| 260687-101 | 1 x 3/4 x 1 in. F2080 Tee | 10 | 60 | 322 | 0.71 | 1 box |



| Branch Reducing Tees | | | | | | |
|----------------------|-------------------------------|------------------|--------|-------------|------|---------------|
| Article No. | Description (A x B x C) | Package Quantity | | Unit Weight | | Minimum Order |
| | | Box | Carton | g | lb | |
| 260627-101 | 3/4 x 3/4 x 1/2 in. F2080 Tee | 20 | 120 | 159 | 0.35 | 1 box |
| 260707-101 | 1 x 1 x 3/4 in. F2080 Tee | 10 | 60 | 295 | 0.65 | 1 box |
| 260727-101 | 1 x 1 x 1/2 in. F2080 Tee | 10 | 60 | 254 | 0.56 | 1 box |



| Branch and Run Reducing Tees | | | | | | |
|------------------------------|-------------------------------|------------------|--------|-------------|------|---------------|
| Article No. | Description (A x B x C) | Package Quantity | | Unit Weight | | Minimum Order |
| | | Box | Carton | g | lb | |
| 260637-101 | 3/4 x 1/2 x 1/2 in. F2080 Tee | 20 | 120 | 141 | 0.31 | 1 box |
| 260697-101 | 1 x 3/4 x 3/4 in. F2080 Tee | 10 | 60 | 254 | 0.56 | 1 box |



| Bullhead Tees | | | | | | |
|---------------|-------------------------------|------------------|--------|-------------|------|---------------|
| Article No. | Description (A x B x C) | Package Quantity | | Unit Weight | | Minimum Order |
| | | Box | Carton | g | lb | |
| 260857-101 | 1/2 x 1/2 x 3/4 in. F2080 Tee | 20 | 120 | 145 | 0.32 | 1 box |
| 260897-101 | 3/4 x 3/4 x 1 in. F2080 Tee | 10 | 60 | 240 | 0.53 | 1 box |



| 90° Elbows, PEX to PEX | | | | | | |
|------------------------|---------------------------|------------------|--------|-------------|------|---------------|
| Article No. | Description | Package Quantity | | Unit Weight | | Minimum Order |
| | | Box | Carton | g | lb | |
| 260657-101 | 1/2 x 1/2 in. F2080 Elbow | 40 | 240 | 77 | 0.17 | 1 box |
| 260677-101 | 3/4 x 3/4 in. F2080 Elbow | 25 | 150 | 132 | 0.29 | 1 box |
| 260717-101 | 1 x 1 in. F2080 Elbow | 10 | 60 | 254 | 0.56 | 1 box |



| 90° Elbows, PEX to MPT/Copper | | | | | | |
|-------------------------------|--|------------------|--------|-------------|------|---------------|
| Article No. | Description | Package Quantity | | Unit Weight | | Minimum Order |
| | | Box | Carton | g | lb | |
| 260737-101 | 1/2 in. F2080 x 1/2 in. MPT or 1/2 in. C Female (Sweat) Drop Ear Elbow | 25 | 150 | 118 | 0.26 | 1 box |
| 260747-101 | 3/4 in. F2080 x 3/4 in. MPT or 1/2 in. C Female (Sweat) Elbow | 15 | 90 | 172 | 0.38 | 1 box |

Dual adapters connect RAUPEX pipe to either female threaded fittings (first size) or copper pipe (second size) in the sizes indicated. Art. 260737-101 has three drop ears with 0.275 in. diameter holes for increased stability. Art. 260747-101 does not have drop ears. Make threaded or solder connection before connecting to RAUPEX pipe.



| 90° Elbows, PEX to Copper | | | | | | |
|---------------------------|---|------------------|--------|-------------|------|---------------|
| Article No. | Description | Package Quantity | | Unit Weight | | Minimum Order |
| | | Box | Carton | g | lb | |
| 260537-101 | 1/2 in. F2080 x 1/2 in. C Male (Street) or 3/8 in. C Female (Sweat) Elbow | 50 | 300 | 59 | 0.13 | 1 box |
| 260557-101 | 1/2 in. F2080 x 3/4 in. C Female (Sweat) Elbow | 35 | 210 | 86 | 0.19 | 1 box |
| 260757-101 | 1/2 in. F2080 x 3/4 in. C Male (Street) or 1/2 in. C Female (Sweat) Elbow | 25 | 150 | 104 | 0.23 | 1 box |
| 243687-101 | 5/8 in. F2080 x 1 in. C Male (Street) or 3/4 in. C Female (Sweat) Elbow | 20 | 120 | 150 | 0.34 | 1 box |
| 243697-101 | 5/8 in. F2080 x 3/4 in. C Male (Street) or 1/2 in. C Female (Sweat) Elbow | 20 | 120 | 114 | 0.25 | 1 box |
| 260767-101 | 3/4 in. F2080 x 1 in. C Male (Street) or 3/4 in. C Female (Sweat) Elbow | 20 | 120 | 163 | 0.36 | 1 box |
| 260817-101 | 3/4 in. F2080 x 3/4 in. C Male (Street) or 1/2 in. C Female (Sweat) Elbow | 25 | 150 | 127 | 0.28 | 1 box |

Copper adapters connect RAUPEX pipe to copper pipe in sizes indicated. Make solder connection before connecting to RAUPEX pipe.

10. RAUPEX COMPRESSION NUT FITTINGS

RAUPEX split-ring compression nut brass fittings are machined from solid brass stock. Integral fitting/insert design provides positive clamping and sealing action with split compression ring.



| RAUPEX MPT Adapters | | | | | | | |
|---------------------|--|------------------|-----|--------|-------------|------|---------------|
| Article No. | Description | Package Quantity | | | Unit Weight | | Minimum Order |
| | | Bag | Box | Carton | g | lb | |
| 267517 | 3/8 in. RAUPEX x 1/2 in. MPT or 1/2 in. C Female (Sweat) | 5 | 35 | 210 | 130 | 0.29 | 1 bag |
| 260987 | 1/2 in. RAUPEX x 1/2 in. MPT or 1/2 in. C Female (Sweat) | 5 | 25 | 150 | 136 | 0.30 | 1 bag |
| 267567 | 5/8 in. RAUPEX x 1/2 in. MPT or 1/2 in. C Female (Sweat) | 5 | 25 | 150 | 135 | 0.30 | 1 bag |
| 260357 | 3/4 in. RAUPEX x 3/4 in. MPT or 1/2 in. C Female (Sweat) | 1 | 15 | 90 | 229 | 0.50 | 1 bag |
| 260477 | 1 in. RAUPEX x 1 in. MPT or 3/4 in. C Female (Sweat) | 1 | 10 | 60 | 305 | 0.67 | 1 box |

Dual adapter fittings connect RAUPEX pipe to threaded fitting (first size) or copper pipe (second size) in sizes indicated. Make solder or threaded connection before connecting to RAUPEX pipe.



| RAUPEX Copper Adapters | | | | | | | |
|------------------------|---|------------------|-----|--------|-------------|------|---------------|
| Article No. | Description | Package Quantity | | | Unit Weight | | Minimum Order |
| | | Bag | Box | Carton | g | lb | |
| 260997 | 1/2 in. RAUPEX x 1/2 in. C Female (Sweat) | 5 | 30 | 180 | 108 | 0.24 | 1 bag |
| 260347 | 3/4 in. RAUPEX x 3/4 in. C Female (Sweat) | 1 | 20 | 120 | 166 | 0.37 | 1 bag |
| 260467 | 1 in. RAUPEX x 1 in. C Female (Sweat) | 1 | 10 | 60 | 274 | 0.60 | 1 bag |

Copper adapter fittings connect RAUPEX pipe to copper pipe in sizes indicated. Make solder connection before connecting to RAUPEX pipe.

11. F2080 COMPRESSION-SLEEVE BALL VALVES



| Straight Ball Valves, PEX to Copper | | | | | | | |
|-------------------------------------|--|-----|------------------|--------|-------------|------|---------------|
| Article No. | Description | Cv | Package Quantity | | Unit Weight | | Minimum Order |
| | | | Box | Carton | g | lb | |
| 261946-101 | 1/2 in. F2080 x 1/2 in. C Female (Sweat) Valve | 3.0 | 24 | 144 | 150 | 0.33 | 1 |
| 243667-101 | 5/8 in. F2080 x 3/4 in. C Female (Sweat) Valve | 6.2 | 18 | 108 | 243 | 0.54 | 1 |
| 261376-101 | 3/4 in. F2080 x 3/4 in. C Female (Sweat) Valve | 6.2 | 12 | 72 | 223 | 0.49 | 1 |

Make solder connection before connecting to RAUPEX pipe. Solder valves in open position.



| Straight Ball Valves, PEX to PEX | | | | | | | |
|----------------------------------|---------------------------|-----|------------------|--------|-------------|------|---------------|
| Article No. | Description | Cv | Package Quantity | | Unit Weight | | Minimum Order |
| | | | Box | Carton | g | lb | |
| 261906-101 | 1/2 x 1/2 in. F2080 Valve | 3.0 | 18 | 108 | 190 | 0.42 | 1 |
| 261956-101 | 3/4 x 3/4 in. F2080 Valve | 6.2 | 12 | 72 | 230 | 0.51 | 1 |



| Balancing Ball Valves, PEX to Copper | | | | | | | |
|--------------------------------------|--|----------|------------------|--------|-------------|------|---------------|
| Article No. | Description | Cv | Package Quantity | | Unit Weight | | Minimum Order |
| | | | Box | Carton | g | lb | |
| 260797-101 | 1/2 in. F2080 x 1/2 in. C Female (Sweat) Balancing Valve | 0 to 3.0 | 12 | 72 | 270 | 0.60 | 1 |
| 266447-101 | 3/4 in. F2080 x 3/4 in. C Female (Sweat) Balancing Valve | 0 to 6.2 | 6 | 36 | 350 | 0.78 | 1 |

Balancing ball valves combine a balancing screw with a ball valve in one unit. Make solder connection before connecting to RAUPEX pipe..

12. COMPRESSION NUT BALL VALVES



| Straight Ball Valves, Compression Nut to Copper | | | | | | | |
|---|--|-----|------------------|--------|-------------|------|---------------|
| Article No. | Description | Cv | Package Quantity | | Unit Weight | | Minimum Order |
| | | | Box | Carton | g | lb | |
| 267527 | 3/8 in. RAUPEX x 1/2 in. C Female (Sweat) Valve | 3.0 | 12 | 72 | 230 | 0.51 | 1 each |
| 260277 | 1/2 in. RAUPEX x 1/2 in. C Female (Sweat) Valve | 3.0 | 12 | 72 | 177 | 0.39 | 1 each |
| 267587 | 5/8 in. RAUPEX x 1/2 in. C Female (Sweat) Valve | 3.0 | 12 | 72 | 279 | 0.62 | 1 each |
| 260367 | 3/4 in. RAUPEX x 3/4 in. C Female (Sweat) Valve | 6.2 | 6 | 36 | 340 | 0.75 | 1 each |

Solder valves in open position. Make solder connection before connecting to RAUPEX pipe.



| Balancing Ball Valves, Compression Nut to Copper | | | | | | | |
|--|--|----------|------------------|--------|-------------|------|---------------|
| Article No. | Description | Cv | Package Quantity | | Unit Weight | | Minimum Order |
| | | | Box | Carton | g | lb | |
| 260847 | 1/2 in. RAUPEX x 1/2 in. C Female (Sweat) Balancing Valve | 0 to 3.0 | 12 | 72 | 350 | 0.78 | 1 each |
| 267597 | 5/8 in. RAUPEX x 1/2 in. C Female (Sweat) Balancing Valve | 0 to 3.0 | 6 | 36 | 420 | 0.93 | 1 each |

Balancing ball valves combine a balancing screw with a ball valve in one unit. Make solder connection before connecting to RAUPEX pipe.

13. COPPER MANIFOLDS



| Pre-cut Copper Manifolds | | | | | |
|--------------------------|---|------------------|-------------|------|---------------|
| Article No. | Description | Package Quantity | Unit Weight | | Minimum Order |
| | | | kg | lb | |
| 261326 | 1 in. Copper Manifold, 1/2 in. Outlets 2x | 1 | 0.19 | 0.43 | 1 |
| 261336 | 1 in. Copper Manifold, 1/2 in. Outlets 3x | 1 | 0.26 | 0.58 | 1 |
| 261346 | 1 in. Copper Manifold, 1/2 in. Outlets 4x | 1 | 0.34 | 0.75 | 1 |

Manifolds are type L copper with open ends in sizes indicated. One end is copper male while the opposite end is flared to copper female (sweat). Manifold pieces may be combined to make longer manifolds. Copper outlets are high-temperature brazed (lead-free) into headers at 2 in. on-center so manifolds cannot be cut to length. 1/2 in. copper outlets are 2 in. long. Use with REHAU fittings and valves to assemble complete manifolds for heating applications.



| Manifold Header Stock | | | | | | | | |
|-----------------------|---------------------------------|---------|-------------|-------------|------------------|-------------|------|---------------|
| Article No. | Description | Max GPM | Header Size | Outlet Size | Package Quantity | Unit Weight | | Minimum Order |
| | | | | | | kg | lb | |
| 250810 | 1 x 1/2 in. Copper Manifold | 20 | 1 in. | 1/2 in. | 5 | 2.3 | 5.1 | 1 |
| 250817 | 1 x 3/4 in. Copper Manifold | 20 | 1 in. | 3/4 in. | 4 | 2.6 | 5.8 | 1 |
| 250820 | 1 1/4 x 1/2 in. Copper Manifold | 32 | 1 1/4 in. | 1/2 in. | 4 | 3.0 | 6.5 | 1 |
| 250827 | 1 1/4 x 3/4 in. Copper Manifold | 32 | 1 1/4 in. | 3/4 in. | 4 | 3.2 | 7.2 | 1 |
| 250829 | 1 1/2 x 1/2 in. Copper Manifold | 44 | 1 1/2 in. | 1/2 in. | 3 | 3.7 | 8.1 | 1 |
| 250830 | 1 1/2 x 3/4 in. Copper Manifold | 44 | 1 1/2 in. | 3/4 in. | 3 | 4.0 | 8.7 | 1 |
| 250839 | 2 x 1/2 in. Copper Manifold | 75 | 2 in. | 1/2 in. | 2 | 5.3 | 11.8 | 1 |
| 250840 | 2 x 3/4 in. Copper Manifold | 75 | 2 in. | 3/4 in. | 2 | 5.1 | 11.2 | 1 |
| 250850 | 2 x 1 in. Copper Manifold | 75 | 2 in. | 1 in. | 2 | 6.8 | 15.0 | 1 |

Manifolds are type L copper with open ends in sizes indicated. Copper outlets are high-temperature brazed (lead-free) into headers. Each manifold is 72 in (180 cm) long with 24 outlets at 3 in. on-center, except the 2 x 1 in. copper manifold (Art. 250850) which has 18 outlets at 4 in. on-center. Manifolds can easily be cut to length. Do not exceed maximum flow rates listed above. Use with REHAU fittings and valves to assemble complete manifolds for heating applications.



| Plastic Manifold Brackets | | | | | |
|---------------------------|---------------------------|------------------|-------------|------|---------------|
| Article No. | Description | Package Quantity | Unit Weight | | Minimum Order |
| | | | kg | lb | |
| 261266 | Plastic Manifold Brackets | 1 Set of 2 | 0.18 | 0.40 | 1 set |

Brackets are made of reinforced nylon. A 1.57 in (40 mm) offset allows supply/return manifold clearance. These brackets are used with 1 in. and 1 1/4 in. diameter copper manifolds using supplied flexible spacers.



| End Cap Vent Drains | | | | | |
|---------------------|------------------------------|------------------|-------------|------|---------------|
| Article No. | Description | Package Quantity | Unit Weight | | Minimum Order |
| | | | kg | lb | |
| 250810-ECVD | 1 in. End Cap Vent Drain | 1 | 0.16 | 0.35 | 1 |
| 250820-ECVD | 1 1/4 in. End Cap Vent Drain | 1 | 0.23 | 0.50 | 1 |
| 250830-ECVD | 1 1/2 in. End Cap Vent Drain | 1 | 0.28 | 0.61 | 1 |
| 250840-ECVD | 2 in. End Cap Vent Drain | 1 | 0.42 | 0.93 | 1 |

End cap vent drain pieces are for use with copper manifolds for radiant and SIM applications. They allow connection of an automatic air vent (1/4 in. NPT) and a drain valve (1/2 in. NPT) to the end of the copper manifold. Use standard 1/4 in. NPT air vent.

Note: The REHAU automatic air vent (Art. 250212) does not work with the end cap vent drains due to different thread sizes. The REHAU automatic air vent is only for use on PRO-BALANCE brass manifolds.

14. INSTALLATION ACCESSORIES



| Steel Support Bends | | | | | | |
|---------------------|------------------------------------|------------------|--------|-------------|------|---------------|
| Article No. | Description | Package Quantity | | Unit Weight | | Minimum Order |
| | | Box | Carton | g | lb | |
| 258408 | 3/8 and 1/2 in. Steel Support Bend | 10 | 50 | 50 | 0.10 | 1 box |
| 258798 | 5/8 in. Steel Support Bend | 10 | 50 | 90 | 0.19 | 1 box |
| 257249 | 3/4 in. Steel Support Bend | 10 | 50 | 150 | 0.32 | 1 box |
| 261153 | 1 in. Steel Support Bend | 5 | 50 | 380 | 0.84 | 1 box |

3/8, 1/2, 5/8 and 3/4 in. steel support bends snap over RAUPEX pipe. 1 in. steel support bends (not shown) slide onto pipe.



| Polymer Support Bends with Screw Hole | | | | | |
|---------------------------------------|--------------------------------------|--------------|-------------|------|---------------|
| Article No. | Description | Box Quantity | Unit Weight | | Minimum Order |
| | | | g | lb | |
| 266207 | 3/8 and 1/2 in. Polymer Support Bend | 50 | 40 | 0.08 | 1 box |
| 266217* | 5/8 in. Polymer Support Bend | 50 | 70 | 0.16 | 1 box |
| 266227 | 3/4 in. Polymer Support Bend | 50 | 70 | 0.16 | 1 box |
| 266237 | 1 in. Polymer Support Bend | 50 | 100 | 0.22 | 1 box |
| 266727 | 1 1/4 in. Polymer Support Bend | 50 | 200 | 0.44 | 1 box |

* This item is not stocked. Lead times may vary.



| PVC Bend Guides | | | | | |
|-----------------|----------------------------------|--------------|-------------|------|---------------|
| Article No. | Description | Box Quantity | Unit Weight | | Minimum Order |
| | | | g | lb | |
| 266170-001 | 3/8 and 1/2 in. PVC Bend Guide | 40 | 64 | 0.14 | 1 box |
| 266175-001 | 5/8 and 3/4 in. PVC Bend Guide | 30 | 142 | 0.31 | 1 box |
| 266180 | 1 in. Schedule 40 PVC Bend Guide | 20 | 378 | 0.83 | 1 box |



| PE Protection Sleeves | | | | | | |
|-----------------------|--|------------|----------------------|-------------|------|---------------|
| Article No. | Description | Hole Size* | Package Quantity | Unit Weight | | Minimum Order |
| | | | | kg | lb | |
| 236107 | Protection Sleeve for 3/8 and 1/2 in. Pipe | 1 in. | 100 ft (30.4 m) coil | 1.4 | 3.1 | 1 coil |
| 236117 | Protection Sleeve for 5/8 and 3/4 in. Pipe | 1 1/4 in. | 50 ft (15.2 m) coil | 1.1 | 2.4 | 1 coil |
| 236127 | Protection Sleeve for 1 in. Pipe | 1 1/2 in. | 50 ft (15.2 m) coil | 1.7 | 3.6 | 1 coil |
| 236137 | Protection Sleeve for 1 1/4 in. Pipe | 2 in. | 150 ft (45.7 m) coil | 6.1 | 13.4 | 1 coil |
| 236147* | Protection Sleeve for 1 1/2 in. Pipe | 2 1/2 in. | 100 ft (30.4 m) coil | 7.8 | 17.2 | 1 coil |
| 236157* | Protection Sleeve for 2 in. Pipe | 3 in. | 100 ft (30.4 m) coil | 8.7 | 19.2 | 1 coil |

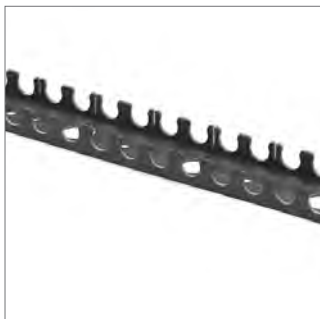
* This item is not stocked. Lead times may vary.

*Recommended hole size to be drilled for proper installation.



| RAUCROSS™ Heat Shrink Tubing | | | | | |
|------------------------------|--|------------------|---------------|----------------|---------------|
| Article No. | Description | Package Quantity | Unit Weight g | Unit Weight lb | Minimum Order |
| 253615 | 3/8, 1/2, 5/8 and 3/4 in. Heat Shrink - 3.3 ft (1 m) | 40 pcs/bag | 82 | 0.18 | 1 meter |
| 253625 | 3/4 and 1 in. Heat Shrink - 3.3 ft (1 m) | 35 pcs/bag | 122 | 0.27 | 1 meter |
| 082351-100 | 1 1/2 and 1 1/4 in. Heat Shrink - 3.3 ft (1 m) | 50 m | 304 | 0.67 | 1 meter |

RAUCROSS heat shrink tubing is for sealing around F2080/SDR11 compression-sleeve joints installed in corrosive environments or buried in soil or in a thermal mass.



| RAILFIX™ Fixing Rails | | | | | | |
|-----------------------|--|------------------|------------------|---------------|----------------|---------------|
| Article No. | Description | Slot Spacing in. | Package Quantity | Unit Weight g | Unit Weight lb | Minimum Order |
| 259238-2M | 1/2 in. RAILFIX Fixing Rail - 6.5 ft (2 m) | 1 | 16 pcs/bundle | 480 | 1.06 | 1 bundle |
| 266247-002 | 5/8 in. RAILFIX Fixing Rail - 6.5 ft (2 m) | 1 | 16 pcs/bundle | 510 | 1.12 | 1 bundle |
| 266257 | 3/4 in. RAILFIX Fixing Rail - 6.5 ft (2 m) | 2 | 16 pcs/bundle | 620 | 1.36 | 1 bundle |

For installation of RAUPEX pipe in a thermal mass or in a sand bed. Polymer material is pre-drilled for fastening.



| Universal Fixing Rails 3/8 to 3/4 in. | | | | | |
|---------------------------------------|---|------------------|---------------|----------------|---------------|
| Article No. | Description | Package Quantity | Unit Weight g | Unit Weight lb | Minimum Order |
| 266407 | Universal Fixing Rail for 3/8, 1/2, 5/8 and 3/4 in. RAUPEX - 3.3 ft (1 m) | 10 pcs/bundle | 205 | 0.45 | 1 bundle |

Universal fixing rail is molded with alternating small/large tabs to hold pipe in place. The small tabs hold 3/8 and 1/2 in. RAUPEX pipes, while the large tabs hold 5/8 and 3/4 in. RAUPEX pipes. Alternating tabs are spaced at 4 in (10 cm). Flat bottom and pre-drilled holes for mounting. Clips at the end allow pieces to be snapped together to make longer lengths.



| Plastic Holding Pins | | | | | | |
|----------------------|---------------------|----------------------|----------------------|---------------|----------------|---------------|
| Article No. | Description | Package Quantity Bag | Package Quantity Box | Unit Weight g | Unit Weight lb | Minimum Order |
| 259268 | Plastic Holding Pin | 500 | 5000 | 1.46 | 0.003 | 1 bag |

Plastic holding pins are used to secure RAILFIX fixing rail and universal fixing rail (Art. 266407) to rigid insulation.



| Galvanized Support Channels | | | | | | | |
|-----------------------------|---------------------------------|----------|-----------|------------------|----------------|----------------|---------------|
| Article No. | Description | Length m | Length ft | Package Quantity | Unit Weight kg | Unit Weight lb | Minimum Order |
| 225527-001 | 3/4 in. Steel Support Channel | 5.986 | 19.63 | 10 pcs/bundle | 2.14 | 4.71 | 1 bundle |
| 225537-002 | 1 in. Steel Support Channel | 5.956 | 19.53 | 10 pcs/bundle | 3.27 | 7.19 | 1 bundle |
| 225547-002 | 1 1/4 in. Steel Support Channel | 5.942 | 19.49 | 8 pcs/bundle | 3.91 | 8.60 | 1 bundle |
| 225557-002 | 1 1/2 in. Steel Support Channel | 5.926 | 19.45 | 6 pcs/bundle | 5.59 | 12.30 | 1 bundle |
| 225567-002 | 2 in. Steel Support Channel | 5.896 | 19.33 | 4 pcs/bundle | 6.95 | 15.29 | 1 bundle |



| Locking Clips | | | | | |
|---------------|-------------------------|------------------|-------------|------|---------------|
| Article No. | Description | Package Quantity | Unit Weight | | Minimum Order |
| | | | g | lb | |
| 261496+ | 3/8 in. Locking Clips | 100/bag | 4 | 0.01 | 1 bag |
| 261556 | 1/2 in. Locking Clips | 100/bag | 5 | 0.01 | 1 bag |
| 261506+ | 5/8 in. Locking Clips | 100/bag | 6 | 0.01 | 1 bag |
| 261516 | 3/4 in. Locking Clips | 50/bag | 7 | 0.02 | 1 bag |
| 261566 | 1 in. Locking Clips | 50/bag | 12 | 0.03 | 1 bag |
| 261576 | 1 1/4 in. Locking Clips | 50/bag | 12 | 0.03 | 1 bag |
| 261586 | 1 1/2 in. Locking Clips | 25/bag | 18 | 0.04 | 1 bag |
| 261596 | 2 in. Locking Clips | 25/bag | 30 | 0.07 | 1 bag |

+ This item is not stocked. Lead times may vary.



| Talon Drive Hooks and Low Profile Talons | | | | | |
|--|--|------------------|-------------|------|---------------|
| Article No. | Description | Package Quantity | Unit Weight | | Minimum Order |
| | | | g | lb | |
| 260866 | Twin Talon Drive Hooks | 100/bag | 6 | 0.01 | 1 bag |
| 260846 | Low Profile 3/8 in. Talons | 100/bag | 4 | 0.01 | 1 bag |
| 261766 | Low Profile 1/2 in. Talons | 100/bag | 4 | 0.01 | 1 bag |
| 261776 | Low Profile 5/8 in. and 3/4 in. Talons | 50/bag | 6 | 0.01 | 1 bag |
| 261806 | Low Profile 1 in. Talons | 50/bag | 10 | 0.02 | 1 bag |



| Single Nail Clamps | | | | | | |
|--------------------|--|------------------|------|-------------|------|---------------|
| Article No. | Description | Package Quantity | | Unit Weight | | Minimum Order |
| | | Bag | Box | g | lb | |
| 261746 | Single Nail Clamp for 3/8 and 1/2 in. Pipe | 100 | 1500 | 4 | 0.01 | 1 bag |
| 261756+ | Single Nail Clamp for 3/4 in. Pipe | 100 | 1000 | 5 | 0.01 | 1 bag |

+ This item is not stocked. Lead times may vary.
Completely encircles pipe. Pre-installed barbed nail prevents backout.



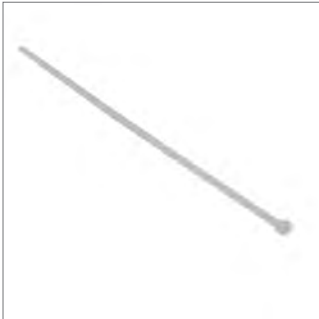
| Plastic Pipe Clamps | | | | | | |
|---------------------|------------------------------|------------------|-----|-------------|------|---------------|
| Article No. | Description | Package Quantity | | Unit Weight | | Minimum Order |
| | | Bag | Box | g | lb | |
| 282401+ | 1 1/4 in. Plastic Pipe Clamp | 50 | 800 | 16 | 0.04 | 1 bag |
| 282411+ | 1 1/2 in. Plastic Pipe Clamp | 25 | 600 | 20 | 0.05 | 1 bag |
| 282421+ | 2 in. Plastic Pipe Clamp | 25 | 300 | 32 | 0.07 | 1 bag |

+ This item is not stocked. Lead times may vary.



| Isolating Suspension Clamps | | | | | | |
|-----------------------------|--------------------------------------|------------------|-----|-------------|------|---------------|
| Article No. | Description | Package Quantity | | Unit Weight | | Minimum Order |
| | | Bag | Box | g | lb | |
| 282431+ | 1 1/4 in. Isolating Suspension Clamp | 50 | 800 | 15 | 0.03 | 1 bag |
| 282441+ | 1 1/2 in. Isolating Suspension Clamp | 25 | 600 | 28 | 0.04 | 1 bag |
| 282451+ | 2 in. Isolating Suspension Clamp | 25 | 300 | 23 | 0.05 | 1 bag |

+ This item is not stocked. Lead times may vary.
 Secures RAUPEX pipe to both wood and metal framework.



| Nylon Pipe Ties | | | | | |
|-----------------|-----------------|------------------|-------------|-------|---------------|
| Article No. | Description | Package Quantity | Unit Weight | | Minimum Order |
| | | | g | lb | |
| 724448 | Nylon Pipe Ties | 1000/bag | 1.43 | 0.003 | 1 bag |

Non-abrasive nylon pipe ties safely secure pipe directly to slab reinforcing bars or wire mesh. Ties are 8 in. long and rated at 50 lbs tensile strength.

15. RAUTOOL PEX PIPE INSTALLATION TOOLS



| F2080 Standard Tool Kits | | | | | |
|--------------------------|-------------------------|------------------|-------------|------|---------------|
| Article No. | Description | Package Quantity | Unit Weight | | Minimum Order |
| | | | kg | lb | |
| 261216 | F2080 Standard Tool Kit | 1 | 7.6 | 16.7 | 1 |

The F2080 standard tool kit is for assembling 1/2 in and 3/4 in. F2080 compression-sleeve joints.

F2080 standard tool kit comes complete with the following:

- Pipe expander RO (Art. 139592)
- F2080 expander heads RO: 1/2 in (Art. 261866), 3/4 in (Art. 261886)
- COMBOLOC® F2080 expansion/compression tool (Art. 243107)
- VERSALOC F2080 compression tool (Art. 243737)
- 4-in-1 VERSALOC F2080 jaw set (Art. 243767)
- RAUCUTTER (Art. 137495)
- Tool box (Art. 261206)
- Grease and brush pack for expander maintenance



| F2080 Deluxe Tool Kits | | | | | |
|------------------------|-----------------------|------------------|-------------|------|---------------|
| Article No. | Description | Package Quantity | Unit Weight | | Minimum Order |
| | | | kg | lb | |
| 261256 | F2080 Deluxe Tool Kit | 1 | 10.4 | 22.9 | 1 |

The F2080 deluxe tool kit is for assembling 1/2, 3/4 and 1 in. F2080 compression-sleeve joints.

F2080 deluxe tool kit comes complete with the following:

- Pipe expander RO (Art. 139592)
- F2080 expander heads RO: 1/2 in (Art. 261866), 3/4 in (Art. 261886), 1 in (Art. 261896)
- COMBOLOC F2080 expansion/compression tool (Art. 243107)
- VERSALOC F2080 compression tool (Art. 243737)
- 4-in-1 VERSALOC F2080 jaws (set) and 1 in. VERSALOC F2080 jaws (Art. 243767 and 243787)
- RAUCUTTER (Art. 137495)
- Ratchet cutter for 1 1/2 in. RAUPEX (Art. 315242-001)
- Tool box (Art. 261206)
- Grease and brush pack for expander maintenance



| VERSALOC Compression Tools | | | | | |
|----------------------------|---------------------------------|------------------|-------------|-----|---------------|
| Article No. | Description | Package Quantity | Unit Weight | | Minimum Order |
| | | | kg | lb | |
| 243737 | VERSALOC F2080 Compression Tool | 1 | 1.45 | 3.2 | 1 |

The VERSALOC compression tool compresses F2080 compression sleeves onto F2080 fittings up to 1 in. The VERSALOC compression tool is used with interchangeable VERSALOC jaws (jaws sold separately).



| VERSALOC Compression Jaws | | | | | |
|---------------------------|--|------------------|-------------|-----|---------------|
| Article No. | Description | Package Quantity | Unit Weight | | Minimum Order |
| | | | kg | lb | |
| 243767 | 4-in-1 VERSALOC F2080 Compression Jaws (Set) | 1 set of 2 | 0.37 | 0.8 | 1 set |
| 243787 | 1 in. VERSALOC F2080 Compression Jaws (Set) | 1 set of 2 | 0.68 | 1.5 | 1 set |

4-in-1 VERSALOC compression jaws are used with the VERSALOC compression tool to compress F2080 compression-sleeve joints in sizes 3/8, 1/2, 5/8 and 3/4 in. The lower cavity works with 3/8 and 1/2 in. while the upper cavity works with 5/8 and 3/4 in.



| RAUPEX Pipe Expanders | | | | | |
|-----------------------|-------------------------|------------------|-------------|-----|---------------|
| Article No. | Description | Package Quantity | Unit Weight | | Minimum Order |
| | | | kg | lb | |
| 139592 | RAUPEX Pipe Expander RO | 1 | 0.88 | 1.9 | 1 |

Expands RAUPEX pipe to assemble F2080 fittings. Includes grease and brush pack for expander tool maintenance. Expander heads sold separately.



| COMBOLOC Combination Expansion/Compression Tools | | | | | |
|--|---|------------------|-------------|-----|---------------|
| Article No. | Description | Package Quantity | Unit Weight | | Minimum Order |
| | | | kg | lb | |
| 243107 | COMBOLOC F2080 Expansion/Compression Tool | 1 | 1.09 | 2.4 | 1 |

The COMBOLOC tool combines both expansion and compression capabilities for 3/8 and 1/2 in. F2080 compression-sleeve fittings. Expander heads sold separately.



| RAUPEX Pipe Expander Heads | | | | | |
|----------------------------|---------------------------------|------------------|-------------|------|---------------|
| Article No. | Description | Package Quantity | Unit Weight | | Minimum Order |
| | | | kg | lb | |
| 261856 | F2080 Expander Head RO, 3/8 in. | 1 | 0.17 | 0.37 | 1 |
| 261866 | F2080 Expander Head RO, 1/2 in. | 1 | 0.15 | 0.32 | 1 |
| 261876 | F2080 Expander Head RO, 5/8 in. | 1 | 0.16 | 0.35 | 1 |
| 261886 | F2080 Expander Head RO, 3/4 in. | 1 | 0.16 | 0.35 | 1 |
| 261896 | F2080 Expander Head RO, 1 in. | 1 | 0.18 | 0.39 | 1 |

For use with RAUPEX Pipe Expander RO (Art. 139592) and COMBOLOC (Art. 243107).



| RAUPEX Cutters | | | | | |
|----------------|---|------------------|-------------|------|---------------|
| Article No. | Description | Package Quantity | Unit Weight | | Minimum Order |
| | | | kg | lb | |
| 137495 | RAUCUTTER for up to 1 in. RAUPEX | 1 | 0.17 | 0.38 | 1 |
| 315242-001 | Ratchet Cutter for up to 1 1/2 in. RAUPEX | 1 | 0.41 | 0.90 | 1 |
| 131558-001 | Large Ratchet Cutter for up to 2 in. RAUPEX | 1 | 1.09 | 2.41 | 1 |

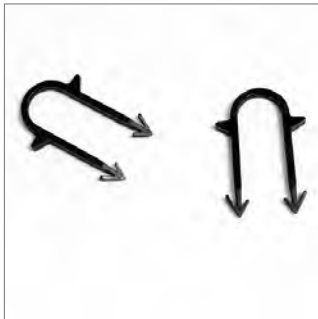


| RAUTACKER 3D Stapler Tools | | | | | |
|----------------------------|------------------------------------|------------------|-------------|-------|---------------|
| Article No. | Description | Package Quantity | Unit Weight | | Minimum Order |
| | | | kg | lb | |
| 298956-001 | RAUTACKER 3D Stapler Tool | 1 | 2.78 | 6.12 | 1 |
| 298966-001 | RAUTACKER 3D 1 3/8 in. Foam Staple | 400/box | 0.0018 | 0.004 | 1 box |
| 340603-001 | RAUTACKER 3D 2 in. Foam Staple | 400/box | 0.0020 | 0.005 | 1 box |
| 298196-001 | RAUTACKER 3D 2 3/8 in. Foam Staple | 400/box | 0.0022 | 0.006 | 1 box |

RAUTACKER 3D foam staples are used when installing RAUPEX pipe on rigid foam board insulation in radiant heating and snow and ice melting applications. Extruded polystyrene foam board is recommended.



RAUTACKER 3D 1 3/8 in. staples work with 3/8, 1/2 and 5/8 in. pipe and with minimum 1 in. (25 mm) thick insulation. RAUTACKER 3D 2 3/8 in. staples are required for 3/4 in. pipe and minimum 1 1/2 in. (38 mm) thick insulation, but also work with 3/8, 1/2 and 5/8 in. pipe. Typically, one staple is required every 3 ft (90 cm) on straight runs of pipe with an additional staple in the middle of bends. Staples are supplies in magazines of 25.



| RAUTACK Foam Staples | | | | | |
|----------------------|-------------------------------|------------------|-------------|-------|---------------|
| Article No. | Description | Package Quantity | Unit Weight | | Minimum Order |
| | | | kg | lb | |
| 266187 | RAUTACK 1 1/2 in. Foam Staple | 300/box | 0.002 | 0.005 | 1 box |
| 266197 | RAUTACK 2 1/4 in. Foam Staple | 300/box | 0.002 | 0.005 | 1 box |

For use with RAUPEX pipe to install on rigid foam board insulation (extruded polystyrene is recommended). RAUTACK foam staples work with 3/8, 1/2, 5/8 and 3/4 in. RAUPEX pipes installed in radiant and SIM applications. The 1 1/2 in. staple is for use with minimum 1 in (25 mm) thick insulation. The 2 1/4 in. staple is for use with minimum 1 1/2 in (38 mm) thick insulation. Typically only one staple is required every 3 ft (90 cm) on straight runs of pipe, with one staple in the middle of bends.

Note: For use with previous version of RAUTACKER stapler tool (Art. 266177). Not compatible with RAUTACKER 3D stapler tool (Art. 298956-001).



| Screw Clip Ratchet Tools | | | | | |
|--------------------------|-------------------------|------------------|-------------|------|---------------|
| Article No. | Description | Package Quantity | Unit Weight | | Minimum Order |
| | | | kg | lb | |
| 260886 | Screw Clip Ratchet Tool | 1 | 0.7 | 1.6 | 1 |
| 260836 | Insulation Screw Clips | 1000/bag | | 0.02 | 1 bag |

The screw clip ratchet tool installs insulation screw clips (Art. 260836) to secure RAUPEX pipe to rigid insulation such as extruded polystyrene or polyurethane. Not recommended for use with expanded polystyrene foam insulation. Can be used with 1/2, 5/8 and 3/4 in. RAUPEX pipe.





| Hand Power (HP) Stapler Tools | | | | | |
|-------------------------------|--|------------------|-------------|-------|---------------|
| Article No. | Description | Package Quantity | Unit Weight | | Minimum Order |
| | | | kg | lb | |
| 266287 | Hand Power (HP) Stapler Tool | 1 | 2.5 | 5.5 | 1 |
| 266297 | Hand Power (HP) 1 1/2 in. Plastic Staple | 500/box | 0.004 | 0.009 | 1 box |

For use with RAUPEX pipe to install on wooden subfloor systems. The HP stapler tool installs plastic staples with integral steel nail (Art. 266297) without the use of air power or electricity. HP staples work with 3/8, 1/2 and 5/8 in. RAUPEX pipe installed in radiant applications.



| Pneumatic Staplers | | | | | |
|--------------------|--|------------------|-------------|------|---------------|
| Article No. | Description | Package Quantity | Unit Weight | | Minimum Order |
| | | | kg | lb | |
| 261016 | Pneumatic Stapler | 1 | 5.0 | 11.0 | 1 |
| 261016-STP | 1 1/4 in. Staples for Use With Pneumatic Stapler | 10,000/box | 3.2 | 7.0 | 1 box |

Pneumatic Stapler fastens RAUPEX pipe to a wooden subfloor. For use with 3/8 and 1/2 in. RAUPEX pipe, tool comes complete with pogo stick extension arm so it can be used from a standing position. Use only the Senco staples (Art. 261016-STP, P15BAB) listed above or equal; 1 in. crown, 1 1/4 in. leg, 16 gauge chisel point.



| Staple Clip Guns | | | | | |
|------------------|----------------------------------|------------------|-------------|------|---------------|
| Article No. | Description | Package Quantity | Unit Weight | | Minimum Order |
| | | | kg | lb | |
| 266117 | Staple Clip Gun | 1 | 0.58 | 1.30 | 1 |
| 266127 | 3/8 in. Flush Mount Staple Clips | 100/bag | 0.03 | 0.06 | 1 bag |
| 266137 | 1/2 in. Flush Mount Staple Clips | 100/bag | 0.03 | 0.06 | 1 bag |
| 266147* | 5/8 in. Flush Mount Staple Clips | 100/bag | 0.03 | 0.06 | 1 bag |
| 266157 | 3/4 in. Flush Mount Staple Clips | 100/bag | 0.03 | 0.06 | 1 bag |

* This item is not stocked. Lead times may vary.
For installation of RAUPEX pipe onto a wood surface. Hand-powered staple clip gun shoots plastic clips with steel staple inserts. Clips hold the pipe away from the surface. All sizes of clips are installed with the same gun.





| Pressure Testers | | | | | |
|------------------|---------------------|------------------|-------------|-----|---------------|
| Article No. | Description | Package Quantity | Unit Weight | | Minimum Order |
| | | | kg | lb | |
| 257334 | Air Pressure Tester | 1 | 0.3 | 0.8 | 1 |

Air pressure tester threads into the 1 in. isolation valve on a PRO-BALANCE manifold and connects to an air hose (Schrader valve included). Tester includes a pressure gauge that reads from 0 to 200 psi.



| Infrared Thermometers | | | | | |
|-----------------------|----------------|------------------|-------------|------|---------------|
| Article No. | Description | Package Quantity | Unit Weight | | Minimum Order |
| | | | g | lb | |
| 261696-001 | IR Thermometer | 1 | 240 | 0.53 | 1 |

Non-contact infrared thermometer can be used to measure temperatures of heated or unheated floors, indoor building surfaces, heating system components (including pipes and manifolds). Includes 2 AAA batteries and provides up to 130 hours of continuous use.



| Turntable Uncoilers | | | | | |
|---------------------|--------------------|------------------|-------------|------|---------------|
| Article No. | Description | Package Quantity | Unit Weight | | Minimum Order |
| | | | kg | lb | |
| 424865-001 | Turntable Uncoiler | 1 | 40.4 | 89.0 | 1 |

Uncoiler has adjustable I.D. to fit multiple sizes of PEXa up to 1,000 ft of 3/4 in. Turntable rotates from horizontal to vertical to fit through doorways and allow for easy jobsite mobility. Assembly required.



| RAUPEX Horizontal Uncoilers | | | | | |
|-----------------------------|----------------------------|------------------|-------------|----|---------------|
| Article No. | Description | Package Quantity | Unit Weight | | Minimum Order |
| | | | kg | lb | |
| 286151-002 | RAUPEX Horizontal Uncoiler | 1 | 13 | 28 | 1 |

Folding uncoiler is capable of holding RAUPEX coils up to 1 in.

16. ELECTRONIC CONTROLS



| Radiant Floor Heating (RFH) Controls | | | | | |
|--------------------------------------|--------------------------------------|------------------|-------------|-----|---------------|
| Article No. | Description | Package Quantity | Unit Weight | | Minimum Order |
| | | | kg | lb | |
| 236317-001* | Floating Action Mixing Control (360) | 1 | 1.4 | 3.1 | 1 |
| 236327-001* | Variable Speed Mixing Control (361) | 1 | 1.4 | 3.0 | 1 |

* Item not stocked. Lead times may vary.

The Floating Action Mixing Control (At. 236317-001) is an outdoor reset control designed to control the mixed supply water temperature to a radiant system. The floating action mixing control operates a 24 VAC floating action 3 or 4-way mixing valve actuator (Art. 260526, Art. 260566) to regulate the supply water temperature while still protecting a non-condensing boiler against flue gas condensation. This control also provides for boiler operation, primary pump operation and secondary pump operation.

The Variable Speed Mixing Control (Art. 236327-001) is an outdoor reset control designed to control the mixed supply water temperature to a radiant system. The variable speed mixing control operates a variable speed injection pump to regulate the supply water temperature while still protecting the boiler against flue gas condensation. This control also provides for boiler operation, primary pump operation, and secondary pump operation.



| Single-zone SIM Controls Low Voltage | | | | | |
|--------------------------------------|---|------------------|-------------|-----|---------------|
| Article No. | Description | Package Quantity | Unit Weight | | Minimum Order |
| | | | g | lb | |
| 315839-001* | Single-zone SIM Control Low Voltage (654) | 1 | 590 | 1.3 | 1 |
| 315836-001* | Aerial Snow Sensor (095) | 1 | 180 | 0.4 | 1 |

* Item not stocked. Lead times may vary.

The Single-zone SIM control (654) operates hydronic equipment to melt snow or ice from any surface including driveways, walkways, patios, business entrances, parking ramps, loading docks, hospital entrances, helipads or car wash bays. The surface temperature for snow melting is controlled automatically to reduce operating energy costs.

The control has an automatic start and stop function when used with the snow/ice sensor (090) (Art. 236357-001). Automatic start with a timed stop is available when used with the aerial snow sensor (095) (Art. 315836-001). The control can operate a dedicated hydronic boiler or a mixing device. Isolation relays are required to operate line voltage pumps.

The aerial snow sensor (095) is an aerial mounted sensor that detects falling snow and allows the Single-zone SIM control (654) (Art. 315839-001) to automatically start the snow melting equipment. System stop is provided by the control's timer or by manual disable. The sensor mounts to a nominal 1/2 in. (16 mm) metal or PVC conduit or pole. The sensor is well suited to adding automatic start to an existing snow melt system. This sensor can only be used with the Single-zone SIM control (654) (Art. 315839-001)





| Snow and Ice Melt (SIM) Controls | | | | | |
|----------------------------------|--|------------------|-------------|-----|---------------|
| Article No. | Description | Package Quantity | Unit Weight | | Minimum Order |
| | | | kg | lb | |
| 425151-001 | Wi-Fi Snow Melting Control (670) | 1 | 1.9 | 4.3 | 1 |
| 298746-001* | Single-zone SIM Controller w/ Pulse Width Modulation (665) | 1 | 1.4 | 3.1 | 1 |

* Item not stocked. Lead times may vary.

The automatic SIM mixing control is a microprocessor-based control designed to maximize the safety and efficiency provided by a hydronic snow and ice melt (SIM) system.

The automatic SIM mixing control is capable of providing snow and ice melting operation based on a remote start/stop module or an external melt demand signal. When the snow-ice sensor (Art. 236375-001) is used, the control can be run automatically, heating the SIM area when moisture is detected during freezing conditions. In typical use, melting operation continues until the sensor no longer detects moisture on its surface.

When the control is not in melting mode, the system can either be automatically shut down or can operate in an idle mode, maintaining the SIM area at a set idle temperature for faster response and improved safety. This saves energy when compared with SIM systems that are always kept at melting temperature.

The automatic SIM mixing control provides slab protection by limiting the maximum fluid temperature that is sent to the SIM area and by limiting the delta T between supply and return fluid temperatures. Both settings are adjustable by the installer. The control also provides boiler protection to help prevent condensation of flue gases (for non-condensing boilers), by controlling the minimum return fluid temperature.

Additional control and monitoring can be done with the TEKMAR 670 (Art. 425151-001) with using the TEKMAR Connect mobile application, available for iOS and Android.



| Electronic Accessories | | | | | |
|------------------------|---|------------------|-------------|------|---------------|
| Article No. | Description | Package Quantity | Unit Weight | | Minimum Order |
| | | | kg | lb | |
| 236207-001* | 070 Outdoor Sensor | 1 | 0.16 | 0.35 | 1 |
| 236227-001 | 072 Slab Sensor (20 ft / 6 m cable) | 1 | 0.17 | 0.37 | 1 |
| 236237-001* | 073 Slab Sensor (40 ft / 12 m cable) | 1 | 0.39 | 0.86 | 1 |
| 236297-001 | R003P 24VAC Relay | 1 | 0.13 | 0.29 | 1 |
| 236357-001 | 090 Snow/Ice Sensor (65 ft / 19.8 m Jacketed Cable) | 1 | 2.00 | 4.40 | 1 |
| 236367-001 | 091 Snow/Ice Sensor Socket | 1 | 0.82 | 1.80 | 1 |

* This item is not stocked. Lead times may vary.

Electronic accessories can be used with specific mixing controls and/or digital thermostats as replacements and/or additional connections. Refer to mixing control and/or thermostat for compatibility.



17. MIXING VALVES



Variable Speed Injection Mixing Modules

| Article No. | Description | Package Quantity | Unit Weight | | Minimum Order |
|-------------|------------------------------|------------------|-------------|------|---------------|
| | | | kg | lb | |
| 281731-001* | Variable Speed Mixing Module | 1 | 8.4 | 18.5 | 1 |

* This item is not stocked. Lead times may vary.
 Used to supply design temperature water to the PRO-BALANCE or HLV manifolds. Capability up to 120,000 Btu/hr. Single compact unit includes an electronic variable speed injection mixing control, variable speed pump and system circulator with air elimination valve. Extremely versatile, the variable speed mixing module is equipped to be set up as an outdoor reset control, a set point control or a delta T limiting control.



Modulating Mixing Valves

| Article No. | Description | Cv | Package Quantity | Unit Weight | | Minimum Order |
|-------------|---|------|------------------|-------------|------|---------------|
| | | | | kg | lb | |
| 298016-001* | 3/4 in. 3-way Modulating Mixing Valve | 4.5 | 1 | 0.60 | 1.32 | 1 |
| 298776-001 | 1 in. 3-way Modulating Mixing Valve | 4.5 | 1 | 0.68 | 1.50 | 1 |
| 298026-001* | 1 1/4 in. 4-way Modulating Mixing Valve | 17.5 | 1 | 1.43 | 3.15 | 1 |

* This item is not stocked. Lead times may vary.
 REHAU modulating mixing valves are a powerful cost effective alternative for zone mixing with such features as outdoor reset, boiler return temperature protection and warm weather shut down (WWSD).

- Maximum operating pressure: 300 psi (2,100 KPa)
- Fluid temperature range: 20 to 240°F (-7 to 115°C) @ 135°F (57°C) ambient
- Adjustable setpoint dial 80 to 180°F (27 to 82°C)
- Selectable 15°F (-9°C) setback
- Optional boiler protection set at 135°F (57°C)



Thermostatic 3-Way Mixing Valves

| Article No. | Size | Cv | Connection | Temperature Range | Package Quantity | Unit Weight | | Minimum Order |
|-------------|---------|-----|-------------|--------------------------|------------------|-------------|-----|---------------|
| | | | | | | kg | lb | |
| 234037 | 3/4 in. | 1.9 | NPT | 85 to 160°F (19 to 71°C) | 1 | 0.54 | 1.2 | 1 |
| 234047* | 3/4 in. | 1.8 | Compression | 95 to 140°F (35 to 60°C) | 1 | 0.60 | 1.3 | 1 |
| 260068-001 | 1 in. | 4.1 | NPT | 95 to 140°F (35 to 60°C) | 1 | 0.91 | 2.0 | 1 |

* This item is not stocked. Lead times may vary.
 Thermostatic mixing valves control supply water temperature for small-sized radiant systems. Sensing element is a wax/copper compound mounted within the valve body. Provides rapid stabilization of supply water temperature. Temperature is adjusted with the knob located at the top of the valve body. For feedback on temperature adjustments place a thermometer (Art. 260957, 260967) downstream of the valve. Compression-type fitting for copper distribution piping or NPT type for threaded pipe. Size valve based on Cv rating (GPM @ 1 psi pressure loss, 2.3 feet headloss).

- Specifications:
- Maximum input temperature: 195°F (90°C)
 - Regulated output temperature range: as listed
 - Maximum working pressure: 145 psi (10 bar; 1 MPa)
 - Regulation accuracy: +/- 3.6°F (2°C) at a minimum flow of 0.5 GPM (2 l/m)
 - Material: brass body



Control Motor for Mixing Valves up to 2 in.

| Article No. | Description | Motor Speed | Package Quantity | Unit Weight kg | Unit Weight lb | Minimum Order |
|-------------|---|-------------|------------------|-------------------|-------------------|---------------|
| 260526-001 | 600 Series Motor With End Switch for Valves up to 2 in. | 96 sec | 1 | 0.5 | 1.2 | 1 |

Use with mixing valves 2 in. and smaller for motor operated control. The motor is controlled by REHAU outdoor reset/mixing controls. Operates on 24 Volt AC input provided through these controls. No additional installation kit is required. Built-in end switch is included. Manual override of mixing valve is possible by pulling out and turning the knob. Be sure to adjust the motor speed setting on electronic mixing controls to 96 seconds.

Specifications:

- Ambient temperature range: 22 to 130°F (-5 to 55°C)
- Torque: 53.10 in. lbs
- Protection type: NEMA 1 (IP 40)
- Supply voltage: 24 VAC, 50 - 60 Hz
- Power consumption: 2 VA (watts) when operating

Brass Mixing Valves

Compact 3- or 4-way brass mixing valves are ideal for reliable control of radiant or SIM supply water temperature. Suitable for motor controlled radiant or SIM applications with 600 series control motor (Art. 260526-001). When choosing a 3- or 4-way mixing valve, size according to flow (Cv) and not pipe size, for more accurate mixing. This often means using a valve that is one size smaller than supply/return pipes.



3-Way Brass Mixing Valves

| Article No. | Description | Cv | Package Quantity | Unit Weight kg | Unit Weight lb | Minimum Order |
|-------------|--|------|------------------|-------------------|-------------------|---------------|
| 260106-001 | 3/4 in. FPT 3-way Brass Mixing Valve | 7.3 | 1 | 0.5 | 1.0 | 1 |
| 260116-001 | 1 in. FPT 3-way Brass Mixing Valve | 11.7 | 1 | 0.7 | 1.5 | 1 |
| 260136-001 | 1 1/4 in. FPT 3-way Brass Mixing Valve | 18.7 | 1 | 1.0 | 2.3 | 1 |
| 260146-001* | 1 1/2 in. FPT 3-way Brass Mixing Valve | 29.3 | 1 | 1.68 | 3.7 | 1 |

* This item is not stocked. Lead times may vary.

Specifications:

- Maximum operating pressure: 145 psi (10 bar)
- Maximum operating temperature: 230°F (110°C)
- Minimum operating temperature: -15°F (-10°C)
- Maximum mixing differential pressure: 14.5 psi (1 bar)
- Maximum diverting differential pressure: 20 psi (2 bar)
- Maximum torque: 45 lbf-in (5 Nm)



4-Way Brass Mixing Valves

| Article No. | Description | Cv | Package Quantity | Unit Weight kg | Unit Weight lb | Minimum Order |
|-------------|--|------|------------------|-------------------|-------------------|---------------|
| 260236-001 | 3/4 in. FPT 4-way Brass Mixing Valve | 7.3 | 1 | 0.5 | 1.1 | 1 |
| 260246-001 | 1 in. FPT 4-way Brass Mixing Valve | 11.7 | 1 | 0.8 | 1.7 | 1 |
| 260266-001 | 1 1/4 in. FPT 4-way Brass Mixing Valve | 18.7 | 1 | 1.2 | 2.6 | 1 |

Specifications:

- Maximum operating pressure: 145 psi (10 bar)
- Maximum operating temperature: 230°F (110°C)
- Minimum operating temperature: -15°F (-10°C)
- Maximum differential pressure: 14.5 psi (1 bar)
- Maximum torque: 45 lbf-in (5 Nm)

18. HYDRONIC ACCESSORIES



| Pressure Differential Bypass Valves | | | | | | |
|-------------------------------------|--|------------------|-------------------|-------------------|---------------|--|
| Article No. | Description | Package Quantity | Unit Weight kg | Unit Weight lb | Minimum Order | |
| 260517 | 1/2 in. C Female (Sweat) Pressure Bypass Valve | 1 | 0.68 | 1.5 | 1 | |
| 260527 | 3/4 in. C Female (Sweat) Pressure Bypass Valve | 1 | 0.91 | 2.0 | 1 | |
| 267987* | 1 in. MPT Pressure Bypass Valve | 1 | 1.40 | 3.0 | 1 | |

* This item is not stocked. Lead times may vary.
 Pressure differential bypass valves divert excess flow when one circulator pump is used with multiple zones, reducing wear on the pump, avoiding noise problems in the control valves and allowing more stable temperature control. Valves are pressure-adjustable. Connections (union ends) are to copper pipe for 1/2 and 3/4 in. valves. The 1 in. valve is supplied with 1 in. MPT union ends.



| Thermometers | | | | | | |
|--------------|--|------------------|-------------------|-------------------|---------------|--|
| Article No. | Description | Package Quantity | Unit Weight kg | Unit Weight lb | Minimum Order | |
| 260957 | Thermometer with 1/2 in. MPT Well Fitting | 1 | 0.12 | 0.26 | 1 | |
| 260967 | Thermometer with 3/4 in. Solder Well Fitting | 1 | 0.13 | 0.29 | 1 | |

Thermometers are recommended in radiant/SIM supply and return pipes to monitor fluid temperatures. REHAU immersion well thermometers have a 2 1/2 in. dial, reading from 50 to 250°F (10 to 120°C).



| Combination Temperature/Pressure Gauges | | | | | | |
|---|--|------------------|-------------------|-------------------|---------------|--|
| Article No. | Description | Package Quantity | Unit Weight kg | Unit Weight lb | Minimum Order | |
| 266417 | Combination Temperature/Pressure Gauge | 1 | 0.14 | 0.30 | 1 | |

The combination temperature/pressure gauge has a 2 1/2 in. dial reading from 0 to 100 psi and 30 to 240°F (-1 to 115°C). 1/4 in. NPT back-mounted connection for installation in a pipe tee/fitting. The immersion gauge contacts the water directly to give the highest degree of temperature and pressure accuracy. For use in radiant and SIM applications.



| Heat Exchangers | | | | | | |
|-----------------|--|------------------|-------------------|-------------------|---------------|--|
| Article No. | Description | Package Quantity | Unit Weight kg | Unit Weight lb | Minimum Order | |
| 266477 | Heat Exchanger, 3/4 in. MPT Connections (100,000 Btu load) | 1 | 2.0 | 4.4 | 1 | |
| 266487-001 | Heat Exchanger, 3/4 in. MPT Connections (150,000 Btu load) | 1 | 2.4 | 5.3 | 1 | |

Compact stainless steel heat exchanger for use in radiant and SIM projects. Applications include: radiant systems using a domestic hot water tank as the heat source to separate heating water from drinking water (check local codes), SIM systems using concentration of glycol (antifreeze) different than the rest of the hydronic system. CSA and UL approved. Can provide more than 100,000 Btu/hr, depending on temperatures and flow rates. Has 1/4 - 20 studs for mounting.

INSULPEX® PRE-INSULATED PEXa PIPING SYSTEM

Product Catalog



TABLE OF CONTENTS

| | |
|---|------|
| 1. INSULPEX® Pipe | 4.3 |
| 2. INSULPEX End Caps | 4.5 |
| 3. INSULPEX Insulation Kits | 4.7 |
| 4. SDR11 Compression-sleeve Fittings | 4.9 |
| 5. RAUTOOL™ PEX Pipe Installation Tools | 4.15 |

For updates to this publication and the most current technical instructions, safety information and manufacturer's recommendations, visit na.rehau.com/resourcecenter

1. INSULPEX PIPE

INSULPEX pipe consists of O₂ Barrier PEXa pipe encased in closed-cell polyurethane (PUR) foam insulation, with a protective low-density polyethylene (PE) outer casing. O₂ Barrier pipe is made of high-quality crosslinked polyethylene, manufactured using the high-pressure peroxide method (PEXa). O₂ Barrier pipe has a co-extruded oxygen diffusion layer that complies with the requirements of DIN 4726. O₂ Barrier pipe is manufactured by REHAU in a plant using a quality management system that is certified to ISO 9001.

INSULPEX pipe meets the requirements of DIN 16892 and 16893. The size listed in the description is the nominal diameter in millimeters, according to DIN 16893. Metric pipes are SDR11. Refer to *INSULPEX Technical Manual* (Art. 855.630) for pipe dimension details, capacities and temperature/pressure ratings.



| One-pipe System – Coils | | | | | | |
|-------------------------|---|-------------------|-----|-------------|-------|---------------|
| Article No. | Description | Maximum Coil Size | | Unit Weight | | Minimum Order |
| | | ft | m | kg/m | lb/ft | |
| 423418-001 | 25 mm INSULPEX O ₂ Barrier Pipe (91) | 1640 | 500 | 1.2 | 0.8 | 35 ft |
| 423419-001 | 32 mm INSULPEX O ₂ Barrier Pipe (91) | 1560 | 475 | 1.4 | 0.9 | 35 ft |
| 241082-001 | 40 mm INSULPEX O ₂ Barrier Pipe (91) | 1560 | 475 | 1.4 | 0.9 | 35 ft |
| 241092-001 | 50 mm INSULPEX O ₂ Barrier Pipe (111) | 985 | 300 | 2.0 | 1.3 | 35 ft |
| 221317 | 63 mm INSULPEX O ₂ Barrier Pipe (126) | 820 | 250 | 2.6 | 1.7 | 35 ft |
| 221327 | 75 mm INSULPEX O ₂ Barrier Pipe (142) | 605 | 185 | 3.4 | 2.3 | 35 ft |
| 221337 | 90 mm INSULPEX O ₂ Barrier Pipe (162) | 285 | 88 | 4.6 | 3.1 | 35 ft |
| 221347 | 110 mm INSULPEX O ₂ Barrier Pipe (162) | 285 | 88 | 5.7 | 3.8 | 35 ft |
| 222677-001 | 125 mm INSULPEX O ₂ Barrier Pipe (182) | 130 | 40 | 7.2 | 4.8 | 35 ft |
| 315265-001* | 140 mm INSULPEX O ₂ Barrier Pipe (202) | 115 | 36 | 8.4 | 5.6 | 35 ft |

* This item is not stocked. Lead times may vary.

One carrier pipe in the size listed, within PUR insulation and a corrugated PE outer casing.

| One-pipe System – Straight Lengths | | | | | |
|------------------------------------|---|------------------|-------------|--------|---------------|
| Article No. | Description | Package Quantity | Unit Weight | | Minimum Order |
| | | | kg/pce | lb/pce | |
| 221317-005 | 63 mm INSULPEX O ₂ Barrier Pipe 16.4 ft (5 m) Straight Length | 1 | 13.0 | 27.9 | 1 |
| 221327-005 | 75 mm INSULPEX O ₂ Barrier Pipe 16.4 ft (5 m) Straight Length | 1 | 17.0 | 37.7 | 1 |
| 221337-005 | 90 mm INSULPEX O ₂ Barrier Pipe 16.4 ft (5 m) Straight Length | 1 | 23.0 | 50.8 | 1 |
| 221347-005 | 110 mm INSULPEX O ₂ Barrier Pipe 16.4 ft (5 m) Straight Length | 1 | 28.5 | 62.3 | 1 |
| 222677-005 | 125 mm INSULPEX O ₂ Barrier Pipe 16.4 ft (5 m) Straight Length | 1 | 36.0 | 78.7 | 1 |
| 315265-005* | 140 mm INSULPEX O ₂ Barrier Pipe 16.4 ft (5 m) Straight Length | 1 | 42.0 | 91.8 | 1 |

* This item is not stocked. Lead times may vary.

One carrier pipe in the size listed, within PUR insulation and a corrugated PE outer casing.



| Two-pipe System – Coils | | | | | | |
|-------------------------|---|-------------------|-----|-------------|-------|---------------|
| Article No. | Description | Maximum Coil Size | | Unit Weight | | Minimum Order |
| | | ft | m | kg/m | lb/ft | |
| 423421-001 | 25 + 25 mm INSULPEX O ₂ Barrier Pipe (111) | 985 | 300 | 1.6 | 1.1 | 35 ft |
| 241032-001 | 32 + 32 mm INSULPEX O ₂ Barrier Pipe (111) | 985 | 300 | 1.9 | 1.3 | 35 ft |
| 241042-001 | 40 + 40 mm INSULPEX O ₂ Barrier Pipe (126) | 820 | 250 | 2.5 | 1.7 | 35 ft |
| 241052-001 | 50 + 50 mm INSULPEX O ₂ Barrier Pipe (162) | 285 | 88 | 4.0 | 2.7 | 35 ft |
| 221427 | 63 + 63 mm INSULPEX O ₂ Barrier Pipe (182) | 130 | 40 | 5.3 | 3.6 | 35 ft |

Two carrier pipes in the size listed, within PUR insulation and a corrugated PE outer casing.

| Table of Pipe Diameters | | | | | |
|-------------------------|---|----------------------|-----|-----------------------|-------|
| Article No. | Description | Casing | | RAUPEX | |
| | | Outer Diameter in | mm | Inside Diameter in | mm |
| 423418 | 25 mm INSULPEX O ₂ Barrier Pipe | 3.6 | 91 | 0.76 | 20.6 |
| 423419 | 32 mm INSULPEX O ₂ Barrier Pipe | 3.6 | 91 | 1.0 | 26.4 |
| 241082 | 40 mm INSULPEX O ₂ Barrier Pipe | 3.6 | 91 | 1.29 | 32.8 |
| 241092 | 50 mm INSULPEX O ₂ Barrier Pipe | 4.4 | 111 | 1.62 | 41.1 |
| 221317 | 63 mm INSULPEX O ₂ Barrier Pipe | 5.0 | 126 | 2.04 | 51.7 |
| 221327 | 75 mm INSULPEX O ₂ Barrier Pipe | 5.6 | 142 | 2.43 | 61.8 |
| 221337 | 90 mm INSULPEX O ₂ Barrier Pipe | 6.4 | 162 | 2.92 | 74.1 |
| 221347 | 110 mm INSULPEX O ₂ Barrier Pipe | 6.4 | 162 | 3.56 | 90.5 |
| 222677 | 125 mm INSULPEX O ₂ Barrier Pipe | 7.2 | 182 | 4.05 | 102.8 |
| 315265 | 140 mm INSULPEX O ₂ Barrier Pipe | 8.0 | 202 | 4.51 | 114.6 |
| 423421 | 25 + 25 mm INSULPEX O ₂ Barrier Pipe | 4.4 | 111 | 0.76 | 20.6 |
| 241032 | 32 + 32 mm INSULPEX O ₂ Barrier Pipe | 4.4 | 111 | 1.04 | 26.4 |
| 241042 | 40 + 40 mm INSULPEX O ₂ Barrier Pipe | 5.0 | 126 | 1.29 | 32.8 |
| 241052 | 50 + 50 mm INSULPEX O ₂ Barrier Pipe | 6.4 | 162 | 1.62 | 41.1 |
| 221427 | 63 + 63 mm INSULPEX O ₂ Barrier Pipe | 7.2 | 182 | 2.04 | 51.7 |

Casing OD is the average outside diameter between the higher and the lower rib profiles.

2. INSULPEX END CAPS

Heat shrink end caps provide a seal around the end of INSULPEX, sealing onto RAUPEX pipe and the PE casing to protect against water infiltration in buried applications. Follow installation instructions in the *INSULPEX Installation Guide* (855.631).



| Heat Shrink End Caps, One-pipe System | | | | | |
|---------------------------------------|--|------------------|-------------|------|---------------|
| Article No. | Description | Package Quantity | Unit Weight | | Minimum Order |
| | | | kg | lb | |
| 209961-001 | 25/32/40/50 mm INSULPEX Heat Shrink End Cap | 1 | 0.12 | 0.26 | 1 |
| 209962-001 | 63/75mm INSULPEX Heat Shrink End Cap | 1 | 0.12 | 0.26 | 1 |
| 209963-001 | 90/110/125/140 mm INSULPEX Heat Shrink End Cap | 1 | 0.25 | 0.54 | 1 |



| Heat Shrink End Caps, Two-pipe System | | | | | |
|---------------------------------------|---|------------------|-------------|------|---------------|
| Article No. | Description | Package Quantity | Unit Weight | | Minimum Order |
| | | | kg | lb | |
| 209964-001 | 25 + 25 mm INSULPEX Heat Shrink End Cap | 1 | 0.11 | 0.24 | 1 |
| 209966-001 | 32 + 32/40 + 40 mm INSULPEX Heat Shrink End Cap | 1 | 0.15 | 0.34 | 1 |
| 209967-001 | 50 + 50 mm INSULPEX Heat Shrink End Cap | 1 | 0.15 | 0.34 | 1 |
| 209968-001 | 63 + 63 mm INSULPEX Heat Shrink End Cap | 1 | 0.21 | 0.45 | 1 |



| Slip-on End Caps, One-pipe System | | | | | |
|-----------------------------------|---------------------------------|------------------|-------------|------|---------------|
| Article No. | Description | Package Quantity | Unit Weight | | Minimum Order |
| | | | kg | lb | |
| 242544-001 | 25 mm INSULPEX Slip-on End Cap | 1 | 0.11 | 0.24 | 1 |
| 246989-001 | 32 mm INSULPEX Slip-on End Cap | 1 | 0.08 | 0.18 | 1 |
| 242584-001 | 40 mm INSULPEX Slip-on End Cap | 1 | 0.05 | 0.11 | 1 |
| 242604-001 | 50 mm INSULPEX Slip-on End Cap | 1 | 0.11 | 0.24 | 1 |
| 242624 | 63 mm INSULPEX Slip-on End Cap | 1 | 0.12 | 0.26 | 1 |
| 242644 | 75 mm INSULPEX Slip-on End Cap | 1 | 0.04 | 0.09 | 1 |
| 242664 | 90 mm INSULPEX Slip-on End Cap | 1 | 0.05 | 0.11 | 1 |
| 242674 | 110 mm INSULPEX Slip-on End Cap | 1 | 0.05 | 0.10 | 1 |
| 288374-001 | 125 mm INSULPEX Slip-on End Cap | 1 | 0.50 | 1.10 | 1 |



| Slip-on End Caps, Two-pipe System | | | | | |
|-----------------------------------|-------------------------------------|------------------|-------------|------|---------------|
| Article No. | Description | Package Quantity | Unit Weight | | Minimum Order |
| | | | kg | lb | |
| 240313-001 | 25 + 25 mm INSULPEX Slip-on End Cap | 1 | 0.05 | 0.11 | 1 |
| 242724-001 | 32 + 32 mm INSULPEX Slip-on End Cap | 1 | 0.04 | 0.09 | 1 |
| 242754-001 | 40 + 40 mm INSULPEX Slip-on End Cap | 1 | 0.05 | 0.11 | 1 |
| 242784-001 | 50 + 50 mm INSULPEX Slip-on End Cap | 1 | 0.05 | 0.11 | 1 |
| 239091 | 63 + 63 mm INSULPEX Slip-on End Cap | 1 | 0.07 | 0.15 | 1 |

Slip-on end caps improve cosmetic appearance at ends of INSULPEX pipes inside a building or chamber. Slip-on end caps are not watertight, and are not certified for underground burial.



| Wall Sealing Rings | | | | | |
|--------------------|---|------------------|-------------|------|---------------|
| Article No. | Description | Package Quantity | Unit Weight | | Minimum Order |
| | | | kg | lb | |
| 240363 | 91 mm ID Wall Sealing Ring (5.25 in. OD) | 1 | 0.45 | 1.00 | 1 |
| 240373-001 | 111 mm ID Wall Sealing Ring (6.00 in. OD) | 1 | 0.30 | 0.70 | 1 |
| 240383-001 | 126 mm ID Wall Sealing Ring (6.60 in. OD) | 1 | 0.50 | 1.10 | 1 |
| 240393-001 | 142 mm ID Wall Sealing Ring (7.20 in. OD) | 1 | 0.60 | 1.32 | 1 |
| 240403-001 | 162 mm ID Wall Sealing Ring (8.00 in. OD) | 1 | 0.69 | 1.54 | 1 |
| 239101-001 | 182 mm ID Wall Sealing Ring (8.60 in. OD) | 1 | 0.50 | 1.10 | 1 |
| 353278-001 | 202 mm ID Wall Sealing Ring (9.20 in. OD) | 1 | 0.90 | 1.98 | 1 |

Neoprene wall sealing rings fit tightly over the INSULPEX casing, and are meant to be located at wall penetrations. Barbed design prevents pull out. Use the sizing chart in the *INSULPEX Technical Manual* (855.630) or from the pipe diameters chart located on page 3.4, to determine the correct wall sealing ring.

3. INSULPEX INSULATION KITS

Universal tee insulation kits are for use with various pipe diameters. Insulation is NOT included with these kits. Follow directions included with kit.



| Universal Coupling Shroud + Heat Shrink Kits | | | | | |
|--|---|------------------|-------------|-----|---------------|
| Article No. | Description | Package Quantity | Unit Weight | | Minimum Order |
| | | | kg | lb | |
| 330068-001 | Small Coupling Shroud Insulation Kit, for up to 162 mm INSULPEX casing OD | 1 | 1.6 | 3.5 | 1 |
| 330069-001 | Large Coupling Shroud Insulation Kit, for up to 225 mm INSULPEX casing OD | 1 | 4.1 | 9.0 | 1 |

Kits include heat shrink sleeves for sealing around INSULPEX pipes.



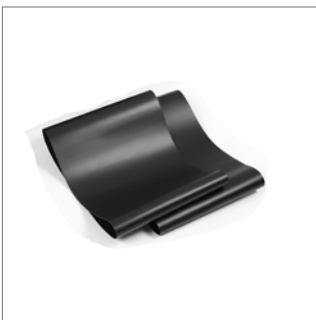
| Universal Elbow Shroud + Heat Shrink Kits | | | | | |
|---|--|------------------|-------------|------|---------------|
| Article No. | Description | Package Quantity | Unit Weight | | Minimum Order |
| | | | kg | lb | |
| 330026-001 | Small Elbow Shroud Insulation Kit, for up to 162 mm INSULPEX casing OD | 1 | 2.5 | 5.5 | 1 |
| 330027-001 | Large Elbow Shroud Insulation Kit, for up to 225 mm INSULPEX casing OD | 1 | 6.0 | 13.2 | 1 |

Kits include heat shrink sleeves for sealing around INSULPEX pipes.



| Universal Tee Shroud + Heat Shrink Kits | | | | | |
|---|--|------------------|-------------|------|---------------|
| Article No. | Description | Package Quantity | Unit Weight | | Minimum Order |
| | | | kg | lb | |
| 330024-001 | Small Tee Shroud Insulation Kit, for up to 162 mm INSULPEX casing OD | 1 | 2.8 | 6.2 | 1 |
| 330025-001 | Large Tee Shroud Insulation Kit, for up to 225 mm INSULPEX casing OD | 1 | 5.6 | 12.3 | 1 |

Kits include heat shrink sleeves for sealing around INSULPEX pipes.



| Heat Shrink Sleeves | | | | | |
|---------------------|---|--|-------------|------|---------------|
| Article No. | Description | | Unit Weight | | Minimum Order |
| | | | kg | lb | |
| 297991-033 | Shrink Sleeve for Small Insulation Kit, for up to 162 mm INSULPEX casing OD | | 0.79 | 1.74 | 1 m |
| 297992-040 | Shrink Sleeve for Large Insulation Kit, for up to 225 mm INSULPEX casing OD | | 0.96 | 2.12 | 1 m |



| Universal Coupling Shell Assembly Kits | | | | | |
|--|---|------------------|-------------|------|---------------|
| Article No. | Description | Package Quantity | Unit Weight | | Minimum Order |
| | | | kg | lb | |
| 330056-001+ | Small Coupling Shell Kit, for up to 126 mm INSULPEX casing OD | 1 | 2.2 | 4.9 | 1 |
| 352038-001+ | Large Coupling Shell Kit, for up to 182 mm INSULPEX casing OD | 1 | 5.2 | 11.5 | 1 |

+ This item is not stocked. Lead times may vary.
Order sealing rings separately per the outer diameter of the INSULPEX pipe



| Universal Elbow Shell Assembly Kits | | | | | |
|-------------------------------------|--|------------------|-------------|-----|---------------|
| Article No. | Description | Package Quantity | Unit Weight | | Minimum Order |
| | | | kg | lb | |
| 330057-001+ | Small Elbow Shell Kit, for up to 126 mm INSULPEX casing OD | 1 | 2.1 | 4.6 | 1 |
| 352039-001+ | Large Elbow Shell Kit, for up to 182 mm INSULPEX casing OD | 1 | 4.4 | 9.7 | 1 |

+ This item is not stocked. Lead times may vary.
Order sealing rings separately per the outer diameter of the INSULPEX pipe



| Universal Tee Shell Assembly Kits | | | | | |
|-----------------------------------|--|------------------|-------------|-----|---------------|
| Article No. | Description | Package Quantity | Unit Weight | | Minimum Order |
| | | | kg | lb | |
| 330055-001+ | Small Tee Shell Kit, for up to 126 mm INSULPEX casing OD | 1 | 2.8 | 6.2 | 1 |
| 351054-001+ | Large Tee Shell Kit, for up to 182 mm INSULPEX casing OD | 1 | 3.6 | 7.9 | 1 |

+ This item is not stocked. Lead times may vary.
Order sealing rings separately per the outer diameter of the INSULPEX pipe



| INSULPEX Sealing Rings and Plugs | | | | | |
|----------------------------------|--|------------------|-------------|------|---------------|
| Article No. | Description | Package Quantity | Unit Weight | | Minimum Order |
| | | | kg | lb | |
| 330017-001+ | 91 mm Small Shell Kit Sealing Ring | 1 | 0.33 | 0.73 | 1 |
| 330018-001+ | 111 mm Small Shell Kit Sealing Ring | 1 | 0.21 | 0.46 | 1 |
| 176282-050+ | Small Tee Shell Kit Plug (111 mm SR) | 1 | 0.10 | 0.2 | 1 |
| 330019-001+ | 126 mm Small Shell Kit Sealing Ring | 1 | 0.10 | 0.19 | 1 |
| 351056-001+ | 91 mm Large Insulation Kit Sealing Ring | 1 | 1.08 | 2.38 | 1 |
| 351057-001+ | 111 mm Large Insulation Kit Sealing Ring | 1 | 1.03 | 2.26 | 1 |
| 351058-001+ | 126 mm Large Insulation Kit Sealing Ring | 1 | 0.95 | 2.09 | 1 |
| 351059-001+ | 142 mm Large Insulation Kit Sealing Ring | 1 | 0.90 | 1.98 | 1 |
| 351061-001+ | 162 mm Large Insulation Kit Sealing Ring | 1 | 0.85 | 1.88 | 1 |
| 176302-050+ | Large Tee Shell Kit Plug (162 mm SR) | 1 | 0.27 | 0.6 | 1 |
| 351062-001+ | 182 mm Large Insulation Kit Sealing Ring | 1 | 0.68 | 1.49 | 1 |

+ This item is not stocked. Lead times may vary.
Order sealing rings separately per the outer diameter of the INSULPEX pipe.

4. SDR11 COMPRESSION-SLEEVE FITTINGS

SDR11 compression-sleeve fittings and sleeves are designed specifically for use with REHAU PEXa pipe. Installation is performed with RAUTOOL PEX pipe installation tools. Follow all published REHAU *Technical Guidelines*. SDR11 compression-sleeve fittings are not certified for potable water applications.



| Compression Sleeves | | | | | | |
|---------------------|---------------------------------|------------------|--------|-------------|------|---------------|
| Article No. | Description | Package Quantity | | Unit Weight | | Minimum Order |
| | | Box | Carton | kg | lb | |
| 139572-001 | 25 mm SDR11 Compression Sleeve | 50 | 50 | 0.04 | 0.09 | 1 box |
| 139492-001 | 32 mm SDR11 Compression Sleeve | 50 | 50 | 0.08 | 0.18 | 1 box |
| 138683-001 | 40 mm SDR11 Compression Sleeve | 25 | 25 | 0.13 | 0.29 | 1 box |
| 138693-001 | 50 mm SDR11 Compression Sleeve | 25 | 25 | 0.26 | 0.57 | 1 box |
| 138703-001 | 63 mm SDR11 Compression Sleeve | 1 | 1 | 0.39 | 0.85 | 1 box |
| 267671- | 75 mm SDR11 Compression Sleeve | 1 | 1 | 0.50 | 1.10 | 1 box |
| 267681- | 90 mm SDR11 Compression Sleeve | 1 | 1 | 0.52 | 1.15 | 1 box |
| 267691- | 110 mm SDR11 Compression Sleeve | 1 | 1 | 1.09 | 2.40 | 1 box |
| 235229-001 | 125 mm SDR11 Compression Sleeve | 1 | 1 | 1.60 | 3.53 | 1 box |
| 206256-001 | 140 mm SDR11 Compression Sleeve | 1 | 1 | 1.86 | 4.10 | 1 box |

Tapered end installs toward fitting. Sizes up to 63 mm are brass. Sizes 75 to 140 mm are bronze. Not certified for potable water.



| Couplings | | | | | | |
|-------------|-----------------------------|------------------|--------|-------------|------|---------------|
| Article No. | Description | Package Quantity | | Unit Weight | | Minimum Order |
| | | Box | Carton | kg | lb | |
| 169010-001 | 25 x 25 mm SDR11 Coupling | 10 | 50 | 0.09 | 0.20 | 1 box |
| 169013-001 | 32 x 32 mm SDR11 Coupling | 3 | 30 | 0.18 | 0.40 | 1 box |
| 169015-001 | 40 x 40 mm SDR11 Coupling | 5 | 25 | 0.38 | 0.84 | 1 box |
| 169144-001 | 50 x 50 mm SDR11 Coupling | 1 | 1 | 0.57 | 1.26 | 1 box |
| 169142-001 | 63 x 63 mm SDR11 Coupling | 1 | 1 | 1.00 | 2.21 | 1 box |
| 267611 | 75 x 75 mm SDR11 Coupling | 1 | 1 | 1.68 | 3.70 | 1 box |
| 267621 | 90 x 90 mm SDR11 Coupling | 1 | 1 | 2.46 | 5.42 | 1 box |
| 267631 | 110 x 110 mm SDR11 Coupling | 1 | 1 | 3.12 | 6.88 | 1 box |
| 235219-001 | 125 x 125 mm SDR11 Coupling | 1 | 1 | 4.50 | 9.92 | 1 box |
| 206257-001 | 140 x 140 mm SDR11 Coupling | 1 | 1 | 4.99 | 11.0 | 1 box |

Couplings connect to RAUPEX pipe using RAUTOOL PEX pipe installation tools. Sizes up to 63 mm are brass. Sizes 75 to 140 mm are bronze. Order sleeves separately. Not certified for potable water.



| Reducer Couplings | | | | | | |
|-------------------|----------------------------|------------------|--------|-------------|------|---------------|
| Article No. | Description | Package Quantity | | Unit Weight | | Minimum Order |
| | | Box | Carton | kg | lb | |
| 169014-001+ | 32 x 25 mm SDR11 Coupling | 3 | 30 | 0.14 | 0.31 | 1 box |
| 169017-001+ | 40 x 32 mm SDR11 Coupling | 5 | 25 | 0.28 | 0.62 | 1 box |
| 169170-001+ | 50 x 32 mm SDR11 Coupling | 1 | 1 | 0.41 | 0.90 | 1 box |
| 169147-001+ | 50 x 40 mm SDR11 Coupling | 1 | 1 | 0.48 | 1.06 | 1 box |
| 169148-001+ | 63 x 50 mm SDR11 Coupling | 1 | 1 | 0.76 | 1.67 | 1 box |
| 267641+ | 75 x 63 mm SDR11 Coupling | 1 | 1 | 1.40 | 3.10 | 1 box |
| 267651+ | 90 x 75 mm SDR11 Coupling | 1 | 1 | 2.70 | 4.56 | 1 box |
| 267661+ | 110 x 90 mm SDR11 Coupling | 1 | 1 | 3.10 | 6.80 | 1 box |

+ This item is not stocked. Lead times may vary.
 Couplings connect to RAUPEX pipe using RAUTOOL PEX pipe installation tools. Sizes up to 63 mm are brass. Sizes 75 to 110 mm are bronze. Order compression sleeves separately. Not certified for potable water.



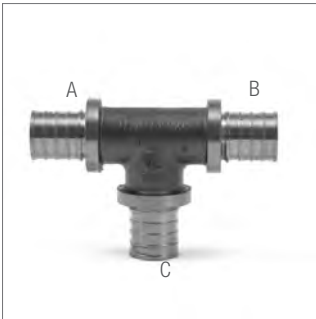
| MPT Adapters | | | | | | |
|--------------|---|------------------|--------|-------------|------|---------------|
| Article No. | Description | Package Quantity | | Unit Weight | | Minimum Order |
| | | Box | Carton | kg | lb | |
| 298246-001 | 25 mm SDR11 x 1 in. MPT or 3/4 in. C Female Adapter | 5 | 30 | 0.18 | 0.40 | 1 box |
| 235117-001 | 32 mm SDR11 x 1 1/4 in. MPT or 1 in. C Female Adapter | 5 | 30 | 0.34 | 0.75 | 1 box |
| 235127-001 | 40 mm SDR11 x 1 1/2 in. MPT or 1 1/4 C Female Adapter | 1 | 1 | 0.50 | 1.10 | 1 box |
| 235137-001 | 50 mm SDR11 x 2 in. MPT or 1 1/2 C Female Adapter | 1 | 1 | 0.84 | 1.85 | 1 box |
| 235157 | 63 mm SDR11 x 2 1/2 in. MPT or 2 in. C Female Adapter | 1 | 1 | 1.51 | 3.33 | 1 box |
| 235147 | 63 mm SDR11 x 2 in. MPT Adapter | 1 | 1 | 1.50 | 3.30 | 1 box |
| 235167 | 75 mm SDR11 x 3 in. MPT Adapter | 1 | 1 | 2.33 | 5.14 | 1 box |
| 235177 | 90 mm SDR11 x 3 in. MPT Adapter | 1 | 1 | 2.10 | 4.62 | 1 box |
| 235187 | 110 mm SDR11 x 4 in. MPT Adapter | 1 | 1 | 3.69 | 8.14 | 1 box |

Make threaded or solder connections before connecting to RAUPEX pipe. Order compression sleeves separately. Sizes up to 63 mm are brass. Sizes 75 to 110 mm are bronze. Make threaded connection before connecting to RAUPEX pipe. Fittings are installed using RAUTOOL PEX pipe installation tools. Not certified for potable water.



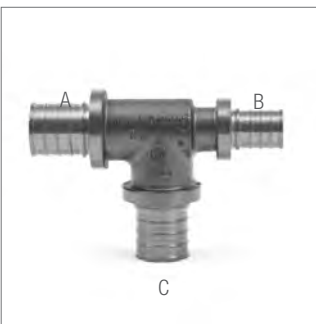
| 90° Elbows | | | | | | |
|-------------|--------------------------|------------------|--------|-------------|------|---------------|
| Article No. | Description | Package Quantity | | Unit Weight | | Minimum Order |
| | | Box | Carton | kg | lb | |
| 169126-001 | 25 x 25 mm SDR11 Elbow | 10 | 50 | 0.16 | 0.35 | 1 box |
| 169128-001 | 32 x 32 mm SDR11 Elbow | 3 | 30 | 0.29 | 0.64 | 1 box |
| 169130-001 | 40 x 40 mm SDR11 Elbow | 1 | 1 | 0.52 | 1.15 | 1 box |
| 169145-001 | 50 x 50 mm SDR11 Elbow | 1 | 1 | 0.82 | 1.81 | 1 box |
| 169146-001 | 63 x 63 mm SDR11 Elbow | 1 | 1 | 1.67 | 3.69 | 1 box |
| 267751 | 75 x 75 mm SDR11 Elbow | 1 | 1 | 2.44 | 5.38 | 1 box |
| 267761 | 90 x 90 mm SDR11 Elbow | 1 | 1 | 3.30 | 7.28 | 1 box |
| 267771 | 110 x 110 mm SDR11 Elbow | 1 | 1 | 5.32 | 11.7 | 1 box |

Elbows connect to RAUPEX pipe using RAUTOOL PEX pipe installation tools. Sizes up to 63 mm are brass. Sizes 75 to 110 mm are bronze. Order compression sleeves separately. Not certified for potable water.



| Straight Tees | | | | | | |
|---------------|------------------------------|------------------|--------|-------------|------|---------------|
| Article No. | Description (A x B x C) | Package Quantity | | Unit Weight | | Minimum Order |
| | | Box | Carton | kg | lb | |
| 169056-001 | 25 x 25 x 25 mm SDR11 Tee | 10 | 50 | 0.20 | 0.44 | 1 box |
| 169063-001 | 32 x 32 x 32 mm SDR11 Tee | 3 | 30 | 0.40 | 0.88 | 1 box |
| 169072-001 | 40 x 40 x 40 mm SDR11 Tee | 1 | 1 | 0.77 | 1.70 | 1 box |
| 169156-001 | 50 x 50 x 50 mm SDR11 Tee | 1 | 1 | 0.87 | 1.92 | 1 box |
| 169167-001 | 63 x 63 x 63 mm SDR11 Tee | 1 | 1 | 2.14 | 4.72 | 1 box |
| 221946-001 | 75 x 75 x 75 mm SDR11 Tee | 1 | 1 | 3.47 | 7.65 | 1 box |
| 221948-001 | 90 x 90 x 90 mm SDR11 Tee | 1 | 1 | 4.00 | 8.00 | 1 box |
| 221953-001 | 110 x 110 x 110 mm SDR11 Tee | 1 | 1 | 7.09 | 15.6 | 1 box |

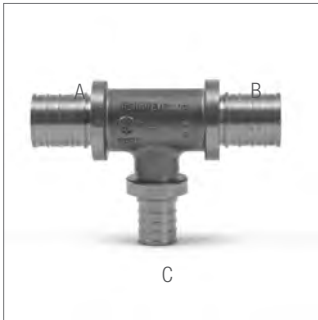
Tees connect to RAUPEX pipe using RAUTOOL PEX pipe installation tools. Order compression sleeves separately. Not certified for potable water.



| Run Reducing Tees | | | | | | |
|-------------------|---------------------------|------------------|--------|-------------|------|---------------|
| Article No. | Description (A x B x C) | Package Quantity | | Unit Weight | | Minimum Order |
| | | Box | Carton | kg | lb | |
| 169062-001+ | 32 x 25 x 32 mm SDR11 Tee | 3 | 30 | 0.35 | 0.77 | 1 box |

+ This item is not stocked. Lead times may vary.

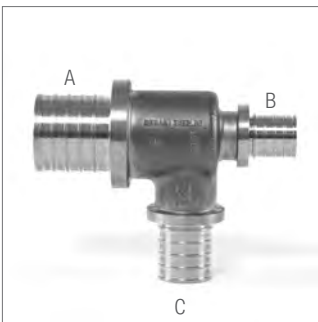
Tees connect to RAUPEX pipe using RAUTOOL PEX pipe installation tools. Order compression sleeves separately. Not certified for potable water.



| Branch Reducing Tees | | | | | | | |
|----------------------|-----------------------------|------------------|--------|-------------|-------|---------------|--|
| Article No. | Description (A x B x C) | Package Quantity | | Unit Weight | | Minimum Order | |
| | | Box | Carton | kg | lb | | |
| 169061-001+ | 32 x 32 x 25 mm SDR11 Tee | 3 | 30 | 0.33 | 0.73 | 1 box | |
| 169069-001+ | 40 x 40 x 25 mm SDR11 Tee | 1 | 1 | 0.67 | 1.48 | 1 box | |
| 169071-001+ | 40 x 40 x 32 mm SDR11 Tee | 1 | 1 | 0.70 | 1.54 | 1 box | |
| 169152-001+ | 50 x 50 x 25 mm SDR11 Tee | 1 | 1 | 0.83 | 1.83 | 1 box | |
| 169154-001+ | 50 x 50 x 32 mm SDR11 Tee | 1 | 1 | 0.82 | 1.81 | 1 box | |
| 169155-001+ | 50 x 50 x 40 mm SDR11 Tee | 1 | 1 | 0.90 | 1.98 | 1 box | |
| 169159-001+ | 63 x 63 x 25 mm SDR11 Tee | 1 | 1 | 1.20 | 2.65 | 1 box | |
| 169161-001+ | 63 x 63 x 32 mm SDR11 Tee | 1 | 1 | 1.20 | 2.65 | 1 box | |
| 169164-001+ | 63 x 63 x 40 mm SDR11 Tee | 1 | 1 | 1.70 | 3.75 | 1 box | |
| 169166-001+ | 63 x 63 x 50 mm SDR11 Tee | 1 | 1 | 1.90 | 4.19 | 1 box | |
| 267781-001+ | 63 x 63 x 75 mm SDR11 Tee | 1 | 1 | 2.70 | 5.60 | 1 box | |
| 221934-001+ | 75 x 75 x 25 mm SDR11 Tee | 1 | 1 | 2.10 | 4.63 | 1 box | |
| 267791-001+ | 75 x 75 x 32 mm SDR11 Tee | 1 | 1 | 2.10 | 4.63 | 1 box | |
| 221936-001+ | 75 x 75 x 40 mm SDR11 Tee | 1 | 1 | 2.25 | 4.96 | 1 box | |
| 231326-001+ | 75 x 75 x 50 mm SDR11 Tee | 1 | 1 | 2.50 | 5.51 | 1 box | |
| 221944-001+ | 75 x 75 x 63 mm SDR11 Tee | 1 | 1 | 2.93 | 6.47 | 1 box | |
| 231336-001+ | 90 x 90 x 32 mm SDR11 Tee | 1 | 1 | 3.00 | 6.61 | 1 box | |
| 221945-001 + | 90 x 90 x 40 mm SDR11 Tee | 1 | 1 | 3.20 | 7.05 | 1 box | |
| 231346+ | 90 x 90 x 63 mm SDR11 Tee | 1 | 1 | 3.61 | 7.96 | 1 box | |
| 231356-001+ | 110 x 110 x 32 mm SDR11 Tee | 1 | 1 | 4.30 | 9.48 | 1 box | |
| 221950-001+ | 110 x 110 x 50 mm SDR11 Tee | 1 | 1 | 5.30 | 11.68 | 1 box | |
| 231366+ | 110 x 110 x 63 mm SDR11 Tee | 1 | 1 | 5.40 | 11.9 | 1 box | |

+ This item is not stocked. Lead times may vary.

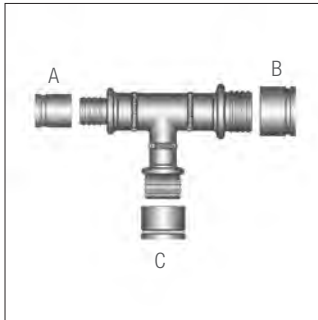
Tees connect to RAUPEX pipe using RAUTOOL PEX pipe installation tools. Order compression sleeves separately. Not certified for potable water.



| Branch and Run Reducing Tees | | | | | | | |
|------------------------------|---------------------------|------------------|--------|-------------|------|---------------|--|
| Article No. | Description (A x B x C) | Package Quantity | | Unit Weight | | Minimum Order | |
| | | Box | Carton | kg | lb | | |
| 169060-001+ | 32 x 25 x 25 mm SDR11 Tee | 3 | 30 | 0.28 | 0.62 | 1 box | |
| 169070-001+ | 40 x 32 x 32 mm SDR11 Tee | 1 | 1 | 0.58 | 1.28 | 1 box | |
| 169151-001+ | 50 x 40 x 25 mm SDR11 Tee | 1 | 1 | 0.82 | 1.81 | 1 box | |
| 169153-001+ | 50 x 40 x 32 mm SDR11 Tee | 1 | 1 | 0.72 | 1.59 | 1 box | |
| 169162-001+ | 63 x 40 x 40 mm SDR11 Tee | 1 | 1 | 1.50 | 3.31 | 1 box | |
| 169160-001+ | 63 x 50 x 32 mm SDR11 Tee | 1 | 1 | 1.20 | 2.65 | 1 box | |
| 169163-001+ | 63 x 50 x 40 mm SDR11 Tee | 1 | 1 | 1.60 | 3.53 | 1 box | |
| 169165-001+ | 63 x 50 x 50 mm SDR11 Tee | 1 | 1 | 1.60 | 3.53 | 1 box | |
| 221935-001+ | 75 x 63 x 32 mm SDR11 Tee | 1 | 1 | 2.10 | 4.63 | 1 box | |
| 221938-001+ | 75 x 63 x 50 mm SDR11 Tee | 1 | 1 | 2.40 | 5.29 | 1 box | |
| 221943-001+ | 75 x 63 x 63 mm SDR11 Tee | 1 | 1 | 2.65 | 5.84 | 1 box | |

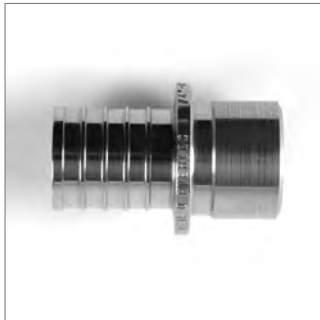
+ This item is not stocked. Lead times may vary.

Tees connect to RAUPEX pipe using RAUTOOL PEX pipe installation tools. Order compression sleeves separately. Not certified for potable water.



| Carbon Steel Tees | | | | | |
|-------------------|------------------------------|------------------|-------------|-------|---------------|
| Article No. | Description (A x B x C) | Package Quantity | Unit Weight | | Minimum Order |
| | | | kg | lb | |
| 222684-001+ | 40 x 32 x 25 mm SDR11 Tee | 1 | 1.50 | 3.30 | 1 |
| 222704-001+ | 50 x 40 x 40 mm SDR 11 Tee | 1 | 2.00 | 4.40 | 1 |
| 222714-001+ | 63 x 50 x 25 mm SDR11 Tee | 1 | 2.50 | 5.50 | 1 |
| 241194-001+ | 75 x 63 x 25 mm SDR11 Tee | 1 | 2.53 | 5.58 | 1 |
| 241214+ | 75 x 63 x 40 mm SDR11 Tee | 1 | 2.82 | 6.22 | 1 |
| 241304-001+ | 90 x 75 x 25 mm SDR11 Tee | 1 | 3.84 | 8.47 | 1 |
| 241314-001+ | 90 x 75 x 32 mm SDR11 Tee | 1 | 4.05 | 8.93 | 1 |
| 241324-001+ | 90 x 75 x 40 mm SDR11 Tee | 1 | 4.23 | 9.32 | 1 |
| 241334+ | 90 x 75 x 50 mm SDR11 Tee | 1 | 4.58 | 10.10 | 1 |
| 241344+ | 90 x 75 x 63 mm SDR11 Tee | 1 | 5.09 | 11.22 | 1 |
| 241354-+ | 90 x 75 x 75 mm SDR11 Tee | 1 | 4.47 | 9.86 | 1 |
| 241364-001+ | 90 x 90 x 25 mm SDR11 Tee | 1 | 4.55 | 10.03 | 1 |
| 241394+ | 90 x 90 x 50 mm SDR11 Tee | 1 | 5.28 | 11.64 | 1 |
| 241414-001+ | 90 x 90 x 75 mm SDR11 Tee | 1 | 6.51 | 14.35 | 1 |
| 241434-001+ | 110 x 90 x 25 mm SDR11 Tee | 1 | 5.00 | 11.02 | 1 |
| 241444-001+ | 110 x 90 x 32 mm SDR11 Tee | 1 | 5.25 | 11.57 | 1 |
| 241454-001+ | 110 x 90 x 40 mm SDR11 Tee | 1 | 5.43 | 11.97 | 1 |
| 241464-001+ | 110 x 90 x 50 mm SDR11 Tee | 1 | 5.77 | 12.72 | 1 |
| 241474-001+ | 110 x 90 x 63 mm SDR11 Tee | 1 | 5.77 | 12.72 | 1 |
| 241484-001+ | 110 x 90 x 75 mm SDR11 Tee | 1 | 6.29 | 13.87 | 1 |
| 241494-001+ | 110 x 90 x 90 mm SDR11 Tee | 1 | 7.00 | 15.43 | 1 |
| 241504-001+ | 110 x 110 x 25 mm SDR11 Tee | 1 | 5.53 | 12.19 | 1 |
| 241524-001+ | 110 x 110 x 40 mm SDR11 Tee | 1 | 6.26 | 13.80 | 1 |
| 241554-001+ | 110 x 110 x 75 mm SDR11 Tee | 1 | 6.78 | 14.95 | 1 |
| 241564-001+ | 110 x 110 x 90 mm SDR11 Tee | 1 | 7.49 | 16.51 | 1 |
| 310318-001+ | 125 x 110 x 25 mm SDR11 Tee | 1 | 9.00 | 19.80 | 1 |
| 310317-001+ | 125 x 110 x 32 mm SDR11 Tee | 1 | 9.00 | 19.80 | 1 |
| 310316-001+ | 125 x 110 x 40 mm SDR11 Tee | 1 | 9.50 | 20.90 | 1 |
| 310308-001+ | 125 x 110 x 50 mm SDR11 Tee | 1 | 9.50 | 20.90 | 1 |
| 310307-001+ | 125 x 110 x 63 mm SDR11 Tee | 1 | 10.00 | 22.00 | 1 |
| 310306-001+ | 125 x 110 x 75 mm SDR11 Tee | 1 | 10.00 | 22.05 | 1 |
| 301889-001+ | 125 x 110 x 90 mm SDR11 Tee | 1 | 10.50 | 23.15 | 1 |
| 301888-001+ | 125 x 110 x 110 mm SDR11 Tee | 1 | 11.50 | 25.35 | 1 |
| 301897-001+ | 125 x 110 x 125 mm SDR11 Tee | 1 | 13.00 | 28.66 | 1 |
| 301906-001+ | 125 x 125 x 25 mm SDR11 Tee | 1 | 10.00 | 22.00 | 1 |
| 301905-001+ | 125 x 125 x 32 mm SDR11 Tee | 1 | 10.10 | 22.22 | 1 |
| 304004-001+ | 125 x 125 x 40 mm SDR11 Tee | 1 | 10.50 | 23.10 | 1 |
| 301896-001+ | 125 x 125 x 50 mm SDR11 Tee | 1 | 10.00 | 22.00 | 1 |
| 301895-001+ | 125 x 125 x 63 mm SDR11 Tee | 1 | 11.00 | 24.25 | 1 |
| 352896-001+ | 125 x 125 x 75 mm SDR11 Tee | 1 | 11.10 | 24.47 | 1 |
| 352897-001+ | 125 x 125 x 90 mm SDR11 Tee | 1 | 11.50 | 25.36 | 1 |
| 352899-001+ | 125 x 125 x 110 mm SDR11 Tee | 1 | 12.50 | 27.56 | 1 |
| 352898-001+ | 125 x 125 x 125 mm SDR11 Tee | 1 | 14.00 | 30.87 | 1 |

+ This item is not stocked. Lead times may vary.
 Welded carbon steel fitting includes three SDR11 brass sleeves (25 to 63 mm) or gunmetal (75 to 125 mm).
 These fittings connect to RAUTOOL PEX pipe installation tools. Not certified for potable water.



| Carbon Steel Welding Ends | | | | | |
|---------------------------|--|------------------|-------------|------|---------------|
| Article No. | Description | Package Quantity | Unit Weight | | Minimum Order |
| | | | kg | lb | |
| 221807 | 63 mm SDR11 x NPS 2 in. Schedule 40 Carbon Steel Welding End | 1 | 0.73 | 1.6 | 1 |
| 221817 | 75 mm SDR11 x NPS 2 1/2 in. Schedule 40 Carbon Steel Welding End | 1 | 1.13 | 2.5 | 1 |
| 221827 | 90 mm SDR11 x NPS 3 in. Schedule 40 Carbon Steel Welding End | 1 | 1.50 | 3.3 | 1 |
| 221837-001 | 110 mm SDR11 x NPS 4 in. Schedule 40 Carbon Steel Welding End | 1 | 2.20 | 4.9 | 1 |
| 298256-001 | 125 mm SDR11 x NPS 4 in. Schedule 40 Carbon Steel Welding End | 1 | 2.50 | 5.5 | 1 |
| 206253-001 | 140 mm SDR11 x 139.7 x 3.6 mm Carbon Steel Welding End | 1 | 4.58 | 10.1 | 1 |

Carbon steel welding ends can be used with standard steel welding tees to create custom tees. Used for custom tee fabrication on closed systems with air removal devices and with RAUPEX O₂ barrier pipe. Order sleeves separately. Not certified for potable water.

5. RAUTOOL PEX PIPE INSTALLATION TOOLS



RAUTOOL M1 Manual Tool Kits

| Article No. | Description | Package Quantity | Unit Weight | | Minimum Order |
|-------------|----------------|------------------|-------------|------|---------------|
| | | | kg | lb | |
| 298296-001 | M1 25 to 40 mm | 1 | 10.1 | 22.2 | 1 kit |

The M1 manually operated tool is used for the assembling SDR11 compression-sleeve fittings in sizes 25, 32 and 40 mm.

Each M1 tool kit comes complete with the following:

- M1 basic tool
- Pipe expander RO
- Ratchet pipe cutter
- SDR11 expansion head RO 25 mm
- SDR11 expansion head RO 32 mm
- SDR11 expansion head assembly M1 40 mm (Art. 137314-001)
- Set of SDR11 clamping jaws M1 25/32 mm (Art. 137364-001)
- Set of SDR11 clamping jaws M1 40 mm (Art. 201798-001)
- Grease and brush pack
- Rugged plastic transport case
- Operating instructions



RAUTOOL G2 Battery Hydraulic Tool Kits

| Article No. | Description | Package Quantity | Unit Weight | | Minimum Order |
|-------------|----------------|------------------|-------------|------|---------------|
| | | | kg | lb | |
| 212734-001 | G2 50 to 63 mm | 1 | 15.0 | 33.0 | 1 kit |

The G2 tool uses a battery hydraulic pump, a 10-ft (3 m) hydraulic hose with quick-release fittings and an actuating head that is used for both expansion and compression steps.

Each G2 tool kit comes complete with the following:

- Battery pump AP-3 (Art. 212734-920)
- Li-ion battery 18 V/3 Ah
- Battery charger 120 V US/CA
- Hydraulic cylinder (Art. 137904-001) with hydraulic hose G2 (Art. 212734-900)
- Head assembly with 2 short + 2 long locking pins (Art. 137914-001)
- Pipe cutter for up to 63 mm (Art. 131558-001)
- Deburring tool (Art. 138990-001)
- Basic transport case (Art. 137724-001)
- Operating instructions
- SDR11 expansion head G 50 mm (Art. 137424)
- SDR11 expansion head G 63 mm (Art. 137434)
- Set of SDR11 clamping jaws G 50 mm (Art. 137624)
- Set of SDR11 clamping jaws G 63 mm (Art. 137634)

Accessory items sold separately:

- Set of 2 short + 2 long locking pins (Art. 137745-001)
- AP3 adapter to G1 hose (Art. 212734-910)
- SDR11 expansion head G 40 mm (Art. 138463)
- Set of SDR11 compression jaws G 40 mm (1 1/2 in.) (Art. 137964-002)
- G1/G2 Expansion kit 75 to 110 mm RAUTOOL G (Art. 137825-001)



| G1/G2 Expansion Kits | | | | | |
|----------------------|----------------------------------|------------------|-------------|------|---------------|
| Article No. | Description | Package Quantity | Unit Weight | | Minimum Order |
| | | | kg | lb | |
| 137825-001 | G1/G2 75 to 110 mm Expansion Kit | 1 | 30.5 | 67.0 | 1 kit |

Use with the G1 or G2 tool (purchased separately) for assembling SDR11 compression-sleeve fittings in sizes 75 to 110 mm.

This expansion kit comes complete with the following:

- Pipe cutter for 50 to 125 mm (Art. 137394-001)
- Transport case extension (Art. 244561-001)
- SDR11 expansion head G 75 mm (Art. 137584)
- SDR11 expansion head G 90 mm (Art. 137604)
- SDR11 expansion head G 110 mm (Art. 137614)
- Set of SDR11 compression jaws G 75 mm (Art. 137644)
- Set of SDR11 compression jaws G 90 mm (Art. 137654)
- Set of SDR11 compression jaws G 110 mm (Art. 137664)



| RAUTOOL G2 125 to 160 mm Battery Hydraulic Tool Kits | | | | | |
|--|----------------------------|------------------|-------------|-------|---------------|
| Article No. | Description | Package Quantity | Unit Weight | | Minimum Order |
| | | | kg | lb | |
| 212744-001 | G2 125 to 160 mm | 1 | 52.7 | 116.0 | 1 kit |
| 206259-001* | G1/G2 Expansion Kit 140 mm | 1 | 23.6 | 52.0 | 1 kit |

* This item is not stocked. Lead times may vary.
For assembling SDR11 compression-sleeve fittings in sizes 125 to 160 mm.

The G2 125 to 160 mm tool kit comes complete with the following:

- Battery pump AP-4 (Art. 212744-920)
- Li-ion battery 18 V/3 Ah
- Battery charger 120 VAC US/CA
- 2 hydraulic cylinders (Art. 137904-001) with hydraulic hose G2 125 to 160 mm (Art. 212744-900)
- Head assembly with 2 short locking pins (Art. 137914-001)
- 2 long locking pins (2X Art. 137745-001)
- Y-distributor with quick couplings G2 125 to 160 mm (Art. 212744-910)
- Pipe cutter for 110 to 160 mm (Art. 221016-001)
- Deburring tool (Art. 138990-001)
- Basic transport case (Art. 137724-001)
- Transport case extension (Art. 138015-001)
- Operating instructions
- SDR11 expansion head G 125 mm (Art. 138006-001)
- SDR11 expansion head G 160 mm
- Set of SDR11 compression jaws G 160 mm
- Set of reducers G 160/125 mm

Accessory item sold separately:

- Pipe lubricant (Art. 128953-003)
- G1/G2 140 mm Expansion Kit (Art. 206259-001)



| Ratchet Cutters | | | | | |
|-----------------|---|------------------|-------------|------|---------------|
| Article No. | Description | Package Quantity | Unit Weight | | Minimum Order |
| | | | kg | lb | |
| 137495 | RAUCUTTER for up to 25 mm RAUPEX | 1 | 0.17 | 0.38 | 1 |
| 315242-001 | Ratchet Cutter for up to 40 mm RAUPEX | 1 | 0.41 | 0.90 | 1 |
| 131558-001 | Large Ratchet Cutter for up to 63 mm RAUPEX | 1 | 1.09 | 2.41 | 1 |



| Enclosed Feed Cutters | | | | | |
|-----------------------|--------------------------------------|------------------|-------------|-----|---------------|
| Article No. | Description | Package Quantity | Unit Weight | | Minimum Order |
| | | | kg | lb | |
| 137394-001* | Pipe Cutter for 50 to 125 mm RAUPEX | 1 | 0.46 | 1.0 | 1 |
| 221016-001* | Pipe Cutter for 110 to 160 mm RAUPEX | 1 | 0.91 | 2.0 | 1 |

* This item is not stocked. Lead times may vary.



| Sleeve Lubricants | | | | | |
|-------------------|------------------------------|------------------|-------------|-----|---------------|
| Article No. | Description | Package Quantity | Unit Weight | | Minimum Order |
| | | | kg | lb | |
| 128953-003 | Compression Sleeve Lubricant | 1 | 0.49 | 1.1 | 1 tube |



| Repair Tapes | | | | | |
|--------------|------------------------------|------------------|-------------|-----|---------------|
| Article No. | Description | Package Quantity | Unit Weight | | Minimum Order |
| | | | kg | lb | |
| 241002 | Linerless Rubber Tape, Black | 1 | 0.26 | 0.6 | 1 roll |

Waterproof, synthetic rubber adhesive tape can be used to repair the PE casing of INSULPEX pipe if it is damaged. Tape dimensions: 2 in. wide x 15 ft. long (50 mm x 4.57 m).

RAUGEO™ GROUND LOOP HEAT EXCHANGE

Product Catalog



TABLE OF CONTENTS

| | |
|---|------|
| 1. RAUGEO™ Ground Loops | 5.3 |
| 2. PRO-BALANCE® 1 1/4 in. Manifolds | 5.6 |
| 3. HKV 1 1/4 in. Manifolds | 5.7 |
| 4. F2080 Compression-sleeve Fittings | 5.8 |
| 5. RAUTOOL™ PEX Pipe Installation Tools | 5.10 |



For updates to this publication and the most current technical instructions, safety information and manufacturer's recommendations, visit na.rehau.com/resourcecenter

1. RAUGEO GROUND LOOPS

RAUGEO PEXa pipes and compression-sleeve fittings are recognized by the International Ground Source Heat Pump Association's (IGSHPA) *Design and Installation Standards* guide as an accepted piping system for ground loop heat exchangers.

RAUGEO PEXa pipes are manufactured using REHAU's high-pressure peroxide method for crosslinked polyethylene (PEXa). RAUGEO PEXa pipe has a co-extruded grey PE UV shield that protects the pipe against ultraviolet light (sunlight) for an extended time. All RAUGEO PEXa pipe meets or exceeds the requirements of ASTM F876, F877, CSA B137.5 and PPI TR-3. RAUGEO PEXa pipe is manufactured by REHAU in a plant using a quality management system that is certified to ISO 9001.

RAUGEO ground loops are certified to CSA C448 and are recognized by the International Ground Source Heat Pump Association's (IGSHPA) *Design and Installation Standards* guide as an accepted piping system for ground loop heat exchangers.

RAUGEO PEXa pipe is compatible with RAUPEX compression nut fittings and fittings certified to ASTM F2080 and CSA B137.5.

See applicable REHAU technical documents for detailed temperature and pressure ratings.

1 in. RAUGEO U-bends

Each RAUGEO single U-bend comprises RAUGEO PEXa UV shield pipe with reinforced resin U-bend tip. Custom coil lengths are available upon request and with an extended lead time.



| RAUGEO 1 in. Double U-bends | | | | | |
|-----------------------------|--|------------------|----------------|----------------|---------------|
| Article No. | Description | Package Quantity | Unit Weight kg | Unit Weight lb | Minimum Order |
| 630366-224 | RAUGEO Double U-bend PEXa 1 in. CTS 210 ft Coil (840 ft) | 1 | 71.6 | 157.8 | 1 |
| 630366-924 | RAUGEO Double U-bend PEXa 1 in. CTS 260 ft Coil (1,040 ft) | 1 | 87.4 | 192.7 | 1 |
| 630366-324 | RAUGEO Double U-bend PEXa 1 in. CTS 310 ft Coil (1,240 ft) | 1 | 103.3 | 227.7 | 1 |
| 630366-374 | RAUGEO Double U-bend PEXa 1 in. CTS 360 ft Coil (1,440 ft) | 1 | 119.1 | 262.6 | 1 |

One RAUGEO double U-bend coil comes packaged as two single U-bend coils with attachment hardware.



| RAUGEO 1 in. Single U-bends | | | | | |
|-----------------------------|--|------------------|----------------|----------------|---------------|
| Article No. | Description | Package Quantity | Unit Weight kg | Unit Weight lb | Minimum Order |
| 630376-224* | RAUGEO Single U-bend PEXa 1 in. CTS 210 ft Coil (420 ft) | 1 | 35.8 | 78.9 | 1 |
| 630376-924 | RAUGEO Single U-bend PEXa 1 in. CTS 260 ft Coil (520 ft) | 1 | 43.7 | 96.4 | 1 |
| 630376-324 | RAUGEO Single U-bend PEXa 1 in. CTS 310 ft.Coil (620 ft) | 1 | 51.6 | 113.8 | 1 |
| 630376-374 | RAUGEO Single U-bend PEXa 1 in. CTS 360 ft.Coil (720 ft) | 1 | 59.6 | 131.3 | 1 |

*This item is not stocked. Lead times may vary.

1 1/4 in. RAUGEO U-bends

Each 1 1/4 in. RAUGEO U-bend comprises RAUGEO PEXa UV shield pipe with a probe tip that is constructed of corrosion-resistant stainless steel tube and stainless steel ASTM F2080 fittings. The tip assembly is covered in a rubber dip coating to further protect it from corrosion. A heat shrink sleeve is also applied over the joint between the RAUGEO pipe and the tip.

Custom coils lengths are available upon request and with an extended lead time.



| RAUGEO 1 1/4 in. Double U-bends | | | | | | |
|---------------------------------|--|------------------|-------------|-----|---------------|--|
| Article No. | Description | Package Quantity | Unit Weight | | Minimum Order | |
| | | | kg | lb | | |
| 630386-364+ | RAUGEO Double U-bend PEXa 1 1/4 in. CTS 360 ft Coil (1,440 ft) | 1 | 159.9 | 352 | 1 | |
| 630386-424+ | RAUGEO Double U-bend PEXa 1 1/4 in. CTS 410 ft Coil (1,640 ft) | 1 | 181.9 | 401 | 1 | |
| 630386-464+ | RAUGEO Double U-bend PEXa 1 1/4 in. CTS 460 ft.Coil (1,840 ft) | 1 | 203.7 | 449 | 1 | |
| 630386-524+ | RAUGEO Double U-bend PEXa 1 1/4 in. CTS 510 ft.Coil (2,040 ft) | 1 | 225.4 | 497 | 1 | |
| 630386-624+ | RAUGEO Double U-bend PEXa 1 1/4 in. CTS 610 ft Coil (2,440 ft) | 1 | 284.8 | 628 | 1 | |

*This item is not stocked. Lead times may vary.

One RAUGEO double U-bend comes packaged as two single U-bend coils. The double U-bend is made by joining two (2) single U-bends with the provided 1/4 - 20 x 1 in. bolts and nuts through the joining bars.



| RAUGEO 1 1/4 in. Single U-bends | | | | | | |
|---------------------------------|--|------------------|-------------|-----|---------------|--|
| Article No. | Description | Package Quantity | Unit Weight | | Minimum Order | |
| | | | kg | lb | | |
| 630396-364+ | RAUGEO Single U-bend PEXa 1 1/4 in. CTS 360 ft Coil (720 ft) | 1 | 79.9 | 176 | 1 | |
| 630396-424+ | RAUGEO Single U-bend PEXa 1 1/4 in. CTS 410 ft Coil (820 ft) | 1 | 95.3 | 210 | 1 | |
| 630396-464+ | RAUGEO Single U-bend PEXa 1 1/4 in. CTS 460 ft.Coil (920 ft) | 1 | 101.6 | 224 | 1 | |
| 630396-524+ | RAUGEO Single U-bend PEXa 1 1/4 in. CTS 510 ft.Coil (1,020 ft) | 1 | 112.5 | 248 | 1 | |

*This item is not stocked. Lead times may vary.



| RAUGEO Collect Pipe | | | | | | |
|---------------------|---------------------------------------|------------------|-------------|--------|---------------|--|
| Article No. | Description | Package Quantity | Unit Weight | | Minimum Order | |
| | | | kg | lb | | |
| 235381-324 | RAUGEO Collect 1 in. CTS (300 ft) | 300 ft | 23.7 | 52.2 | 1 coil | |
| 235381-524 | RAUGEO Collect 1 in. CTS (500 ft) | 500 ft | 39.5 | 87.0 | 1 coil | |
| 235381-824 | RAUGEO Collect 1 in. CTS (800 ft) | 800 ft | 63.2 | 139.2 | 1 coil | |
| 235391-524 | RAUGEO Collect 1 1/4 in. CTS (500 ft) | 500 ft | 56.9 | 125.5 | 1 coil | |
| 235391-824 | RAUGEO Collect 1 1/4 in. CTS (800 ft) | 800 ft | 87.8 | 193.69 | 1 coil | |

RAUGEO Collect is RAUGEO PEXa UV shield pipe for horizontal ground loops and system distribution piping.



RAUGEO U-bend Vertical Ground Loop Accessories

| Article No. | Description | Package Quantity | Unit Weight | | Minimum Order |
|-------------|---|------------------|-------------|------|---------------|
| | | | kg | lb | |
| 222858-001 | RAUGEO U-bend 1 in. CTS Pipe Spacer | 200 | 0.04 | 0.10 | 1 box |
| 222859-001 | RAUGEO U-bend 1 1/4 in. CTS Pipe Spacer | 200 | 0.05 | 0.11 | 1 box |



RAUGEO Collect Horizontal Ground Loop Accessories

| Article No. | Description | Package Quantity | Unit Weight | | Minimum Order |
|-------------|--|------------------|-------------|------|---------------|
| | | | kg | lb | |
| 236127 | PE Protection Sleeve for 1 in. Pipe | 50 ft/coil | 1.70 | 3.60 | 1 coil |
| 236137 | PE Protection Sleeve for 1 1/4 in. Pipe | 150 ft/coil | 6.10 | 13.4 | 1 coil |
| 266237 | 1 in. Polymer Support Bend | 50 pcs/box | 0.10 | 0.22 | 1 box |
| 266727 | 1 1/4 in. Polymer Support Bend | 50 pcs/box | 0.20 | 0.44 | 1 box |
| 253625 | 3/4 and 1 in. Heat Shrink – 3.3 ft (1 m) | 35 pcs/bag | 0.12 | 0.27 | 1 meter |



RAUGEO Installation Accessories

| Article No. | Description | Package Quantity | Unit Weight | | Minimum Order |
|-------------|------------------------------------|------------------|-------------|------|---------------|
| | | | kg | lb | |
| 285561-001 | Bulk Head Seal ID 0.75 to 1.1 in. | 1 | 0.60 | 1.32 | 1 |
| 285571-001* | Bulk Head Seal ID 1.25 to 1.56 in. | 1 | 0.59 | 1.29 | 1 |

* This item is not stocked. Lead times may vary.

Bulkhead seal provides a water resistant seal for pipe penetrations through foundation walls.

2. PRO-BALANCE 1 1/4 IN. MANIFOLDS



PRO-BALANCE 1 1/4 in. Brass Manifold With Gauges

| Article No. | Stations | Manifold Length | | Package Quantity | Unit Weight | | Minimum Order |
|-------------|----------|-----------------|-------|------------------|-------------|------|---------------|
| | | mm | in | | kg | lb | |
| 281841-101 | 4 | 398 | 15.08 | 1 | 5.0 | 11.0 | 1 |
| 281851-101 | 5 | 453 | 17.06 | 1 | 5.4 | 12.0 | 1 |
| 281861-101 | 6 | 508 | 19.02 | 1 | 6.0 | 13.1 | 1 |
| 281871-101 | 7 | 563 | 20.99 | 1 | 6.5 | 14.2 | 1 |
| 281881-101 | 8 | 618 | 22.95 | 1 | 6.9 | 15.3 | 1 |

Delivered pre-assembled and ready to install. Use with 3/4 and 1 in. RAUPEX pipe. Order manifold-to-pipe connectors separately. For 3/4 in. pipe use R-20 fitting (Art. 267007-101). For 1 in. pipe use manifold adapter assembly (Art. 212104-001).

Each manifold comes complete with:

- Installation instructions
- 1 1/4 in. NPT supply and return manifold isolation ball valves with thermometer sockets and flat gaskets
- Two 1 1/4 in. BSPP brass end caps with gaskets
- Visual flow gauges (0 to 4 GPM) on supply side
- Circuit balancing/isolation valves on return side
- Mounting brackets
- Four drywall screws
- Vent key
- Manifold circuit chart

Notes:

- Mini thermometers (Art. 250218) sold separately
- Manifold lengths above include the isolation ball valve 3.86 in (98 mm)
- Maximum flow is 4.0 GPM (0.25 l/s) per circuit; 40 GPM (2.52 l/s) total
- Manifold not compatible with alcohol-based antifreezes
- Depth of manifold is 4.50 in (11.4 cm) with bracket, valve and mini thermometer installed
- Can be joined to other manifold sections using 1 1/4 in. BSPP unions (Art. 281971-001) or 1 1/4 in. BSPF x 1 1/4 in. BSPF x 1 1/4 in. BSPM union tee (Art. 250228-001)

Note: Not for use with alcohol-based glycols.

3. HKV 1 1/4 IN. MANIFOLDS



HKV 1 1/4 in. Brass Manifolds

| Article No. | Stations | Manifold Length | | Package Quantity | Unit Weight | | Minimum Order |
|-------------|----------|-----------------|-------|------------------|-------------|------|---------------|
| | | mm | in | | kg | lb | |
| 215528-001 | 4 | 30.0 | 11.81 | 1 | 5.0 | 11.0 | 1 |
| 215529-001 | 6 | 41.0 | 16.14 | 1 | 5.4 | 13.1 | 1 |

HKV 1 1/4 in. manifolds are for use in distributing and regulating the volume of flow in geothermal applications. HKV manifolds may be used with a variety of system fluids including propylene glycol, ethylene-based glycols and alcohol-based glycols. Manifolds are equipped with supply/shutoff valves and circuit balancing isolation valves which allow individual complete circuit isolation.

Pre-assembled and factory pressure-tested, these manifolds are for use with 1 and 1 1/4 in. RAUGEO PEXa UV shield pipe using REHAU manifold connections (sold separately).

Each HKV 1 1/4 in. manifold comes complete with the following:

- Installation instructions
- 1 1/4 in. NPT supply and return manifold isolation ball valves with thermometer sockets and flat gaskets
- Two 1 1/4 in. BSPP brass end caps with gaskets
- Isolation valves on supply side
- Circuit balancing/isolation valves on return side
- Mounting brackets
- Four drywall screws
- Vent key
- Manifold circuit chart

Compatible with manifold valve actuator (Art. 260166). May be mounted in any orientation (e.g., inverted, horizontal). Mini thermometers (Art. 250218) are sold separately.

4. F2080 COMPRESSION-SLEEVE FITTINGS

F2080 compression-sleeve fittings and sleeves are designed specifically for use with RAUGEO PEXa pipe. Installation is performed with RAUTOOL PEX pipe installation tools. Follow all published REHAU *Technical Guidelines*. F2080 compression-sleeve fittings are not certified for potable water applications.



Compression Sleeves

| Article No. | Description | Package Quantity | | Unit Weight | | Minimum Order |
|-------------|------------------------|------------------|--------|-------------|------|---------------|
| | | Box | Carton | kg | lb | |
| 260577-101 | 3/4 in. F2080 Sleeve | 80 | 480 | 0.03 | 0.08 | 1 box |
| 260877-101 | 1 in. F2080 Sleeve | 40 | 240 | 0.07 | 0.16 | 1 box |
| 235507-101 | 1 1/4 in. F2080 Sleeve | 25 | 150 | 0.11 | 0.26 | 1 box |

Sleeves are unplated brass. Tapered end installs toward fitting.



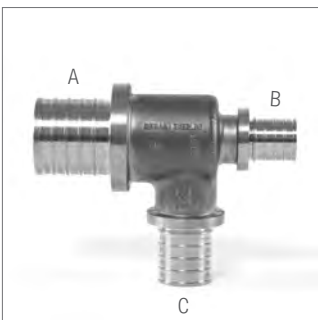
Couplings

| Article No. | Description | Package Quantity | | Unit Weight | | Minimum Order |
|-------------|--------------------------------------|------------------|--------|-------------|------|---------------|
| | | Box | Carton | kg | lb | |
| 260447-101 | 1 x 3/4 in. F2080 Reducer Coupling | 25 | 150 | 0.11 | 0.25 | 1 box |
| 260427-101 | 1 x 1 in. F2080 Coupling | 20 | 120 | 0.14 | 0.30 | 1 box |
| 235517-101 | 1 1/4 x 1 in. F2080 Reducer Coupling | 10 | 60 | 0.20 | 0.43 | 1 box |
| 235527-101 | 1 1/4 x 1 1/4 in. F2080 Coupling | 5 | 30 | 0.23 | 0.50 | 1 box |



Plugs

| Article No. | Description | Package Quantity | | Unit Weight | | Minimum Order |
|-------------|------------------|------------------|--------|-------------|------|---------------|
| | | Box | Carton | kg | lb | |
| 260497-101 | 1 in. F2080 Plug | 30 | 180 | 0.09 | 0.20 | 1 box |



F2080 Tees

| Article No. | Description (A x B x C) | Package Quantity | | Unit Weight | | Minimum Order |
|-------------|-------------------------------------|------------------|--------|-------------|------|---------------|
| | | Box | Carton | kg | lb | |
| 260977-101 | 1 x 1 x 1 in. F2080 Tee | 8 | 48 | 0.35 | 0.77 | 1 box |
| 235657-101 | 1 1/4 x 1 x 1 in. F2080 Tee | 5 | 30 | 0.42 | 0.93 | 1 box |
| 235607-101 | 1 1/4 x 1 1/4 x 1 1/4 in. F2080 Tee | 5 | 30 | 0.51 | 1.12 | 1 box |



Dual MPT Adapters

| Article No. | Description | Package Quantity | | Unit Weight | | Minimum Order |
|-------------|--|------------------|--------|-------------|------|---------------|
| | | Box | Carton | kg | lb | |
| 260437-101 | 1 in. F2080 x 1 in. MPT or 3/4 in. C Female (Sweat) | 15 | 90 | 0.19 | 0.43 | 1 box |
| 730053-001 | 1 1/4 in. F2080 X 1 in. MPT or 3/4 in. C Female (Sweat) | 5 | 30 | 0.19 | 0.41 | 1 box |
| 235557-101 | 1 1/4 in. F2080 x 1 1/4 in. MPT or 1 in. C Female (Sweat) | 5 | 30 | 0.33 | 0.73 | 1 box |

Dual adapters connect RAUGEO PEXa pipe to either female threaded fittings or copper pipe. Make threaded or solder connections before connecting to RAUGEO PEXa pipe.



FPT Adapters

| Article No. | Description | Package Quantity | | Unit Weight | | Minimum Order |
|-------------|---------------------------------|------------------|--------|-------------|------|---------------|
| | | Box | Carton | kg | lb | |
| 260487-101 | 1 in. F2080 x 1 in. FPT Adapter | 10 | 60 | 0.23 | 0.51 | 1 box |

FPT adapters connect RAUGEO PEXa pipe to male threaded fittings. Make threaded connections before connecting to RAUGEO PEXa pipe.



Elbows

| Article No. | Description | Package Quantity | | Unit Weight | | Minimum Order |
|-------------|-------------------------------|------------------|--------|-------------|------|---------------|
| | | Box | Carton | kg | lb | |
| 260717-101 | 1 x 1 in. F2080 Elbow | 10 | 60 | 0.25 | 0.56 | 1 box |
| 235597-101 | 1 1/4 x 1 1/4 in. F2080 Elbow | 8 | 48 | 0.37 | 0.82 | 1 box |



RAUGEO Manifold Adapter Assemblies

| Article No. | Description | Package Quantity | Unit Weight | | Minimum Order |
|-------------|---|------------------|-------------|------|---------------|
| | | | kg | lb | |
| 212104-001 | 1 in. x R-20 Manifold Adapter Assembly RAUGEO (Set) | 1 set | 0.36 | 0.80 | 1 set |

The 1 in. x R-20 manifold adapter assembly will allow installers to connect 1 in. RAUGEO PEXa pipes to the PRO-BALANCE 1 1/4 in. manifold. Each assembly comes complete with the following articles, and will be partially pre-assembled with the 3/4 in. F2080 compression-sleeve joint already made:

- 2 x 267007-101: 3/4 in. R-20 adapter
- 2 x 260577-101: 3/4 in. F2080 compression sleeve
- 2 x 260877-101: 1 in. F2080 compression sleeve
- 2 x 260447-101: 1 x 3/4 in. F2080 reducer coupling
- 5 in. piece 3/4 in. RAUPEX white UV shield pipe

5. RAUTOOL PEX PIPE INSTALLATION TOOLS



F2080 Tool Kits 3/4 to 1 1/4 in.

| Article No. | Description | Package Quantity | Unit Weight | | Minimum Order |
|-------------|---------------------------------|------------------|-------------|------|---------------|
| | | | kg | lb | |
| 281391-001* | F2080 Tool Kit 3/4 to 1 1/4 in. | 1 | 7.8 | 17.2 | 1 |

* This item is not stocked. Lead times may vary.

The F2080 3/4 to 1 1/4 in. tool kit is designed for assembling 3/4 to 1 1/4 in. F2080 compression-sleeve fittings, covering all geothermal applications supported by the REHAU program.

The tool kit comes complete with the following:

- RAUPEX pipe expander RO (Art. 139592)
- F2080 expander heads RO: 3/4 in (Art 261866), 1 in (Art. 261896) and 1 1/4 in. (Art. 235417)
- Grease and brush pack for expander maintenance
- VERSALOC® F2080 compression tool (Art. 243737)
- 4-in-1 VERSALOC F2080 jaws (set), 1 and 1 1/4 in. VERSALOC F2080 jaws (Art. 243767, 243787 and 243797)
- RAUCUTTER (Art. 137495)
- Ratchet cutter for up to 1 1/2 in. RAUPEX (Art. 315242-001)
- Tool box (Art. 261206)



VERSALOC Compression Tool

| Article No. | Description | Package Quantity | Unit Weight | | Minimum Order |
|-------------|---------------------------------|------------------|-------------|-----|---------------|
| | | | kg | lb | |
| 243737 | VERSALOC F2080 Compression Tool | 1 | 1.1 | 2.4 | 1 |

The VERSALOC compression tool compresses F2080 compression sleeves onto F2080 fittings up to 1 1/4 in. The VERSALOC compression tool is used with interchangeable VERSALOC jaws (jaws sold separately).



VERSALOC Compression Jaws

| Article No. | Description | Package Quantity | Unit Weight | | Minimum Order |
|-------------|---|------------------|-------------|-----|---------------|
| | | | kg | lb | |
| 243767 | 4-in-1 VERSALOC F2080 Compression Jaws (Set) | 1 set of 2 | 0.37 | 0.8 | 1 set |
| 243787 | 1 in. VERSALOC F2080 Compression Jaws (Set) | 1 set of 2 | 0.68 | 1.5 | 1 set |
| 243797 | 1 1/4 in. VERSALOC F2080 Compression Jaws (Set) | 1 set of 2 | 0.77 | 1.6 | 1 set |

4-in-1 VERSALOC compression jaws are used with the VERSALOC compression tool to assemble F2080 joints in sizes 3/8, 1/2, 5/8 and 3/4 in. The lower groove works with 3/8 and 1/2 in., while the upper groove works with 5/8 and 3/4 in. The 4-in-1 jaws reduce switching of jaws for common fitting sizes.

Jaws are sold in sets; one set includes two jaws.



RAUPEX Pipe Expanders

| Article No. | Description | Package Quantity | Unit Weight | | Minimum Order |
|-------------|-------------------------|------------------|-------------|-----|---------------|
| | | | kg | lb | |
| 139592 | RAUPEX Pipe Expander RO | 1 | 1.4 | 3.2 | 1 |

Expands RAUGEO PEXa pipe to assemble F2080 fittings. Includes grease and brush pack for expander tool maintenance. Expander heads sold separately.



Pipe Expander Heads

| Article No. | Description | Package Quantity | Unit Weight | | Minimum Order |
|-------------|----------------------------------|------------------|-------------|------|---------------|
| | | | kg | lb | |
| 261886 | F2080 Expander Head RO 3/4 in. | 1 | 0.16 | 0.35 | 1 |
| 261896 | F2080 Expander Head RO 1 in. | 1 | 0.18 | 0.39 | 1 |
| 235417* | F2080 Expander Head RO 1 1/4 in. | 1 | 0.20 | 0.45 | 1 |

* This item is not stocked. Lead times may vary.
For use with RAUPEX pipe expander RO (Art. 139592).



RAUPEX Pipe Cutters

| Article No. | Description | Package Quantity | Unit Weight | | Minimum Order |
|-------------|---|------------------|-------------|------|---------------|
| | | | kg | lb | |
| 137495 | RAUCUTTER (for up to 1 in. RAUPEX) | 1 | 0.17 | 0.38 | 1 |
| 315242-001 | Ratchet Cutter (for up to 1 1/2 in. RAUPEX) | 1 | 0.41 | 0.90 | 1 |

Sales Offices (Toll-free)

Canada Maritimes (800) 565-7342 · Québec (800) 361-0830 · Ontario (800) 561-9609 · Western Canada (800) 944-1011

United States Eastern US (800) 297-6371 · Western US (800) 944-1011

Mexico Northern Mexico (818) 121-0130 · Central and Southern Mexico (800) 917-3428

Central America Panama (507) 830-5257

Warranty

REHAU stands behind our products with a 25-year limited warranty on PEXa pipe and fittings. www.na.rehau.com/warranties

Return Policy

Each return will be reviewed individually. No material may be returned without our written permission and return authorization number. Only catalogued and resalable items may be returned. The minimum return value will be \$100. Product and packaging has to be in resalable condition, all products returned to the distribution center are subject to quality inspection. Materials have to be in original clean and closed packaging (where applicable), boxes must have original labels, customer label must be removed prior to return. Any material which is authorized to be returned will be subject to a minimum twenty-five (25) percent restocking fee.

For updates to this publication, visit na.rehau.com/resourcecenter

The information contained herein is believed to be reliable, but no representations, guarantees or warranties of any kind are made as to its accuracy, suitability for particular applications or the results to be obtained therefrom. Before using, the user will determine suitability of the information for user's intended use and shall assume all risk and liability in connection therewith. © 2019 REHAU

855.312 en 06.2019