



4-PORT, 3-WAY DEDICATED DIVERTER ROUGH-IN VALVE

R1062BO

FEATURES

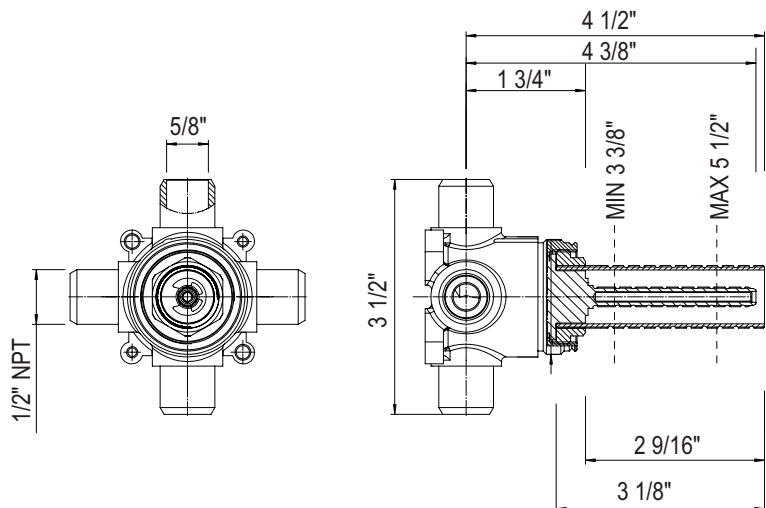
- Rough valve only, no finish
- Solid brass construction
- Ceramic disc cartridge
- Must have both rough and trim to complete the installation.
- Flush the plumbing system before installing this product.
- Must follow dimensions supplied for installation and make sure allowance is made for finished wall material such as tile, etc.
- Must use with volume control when used with thermostatic valve: Order: R1040R
- 1 X 1/2" M NPT inlet
- 3 X 1/2" M NPT outlets
- Flow is dedicated
- May not be split into two outlets at once
- CalGreen compliant
- 5 GPM at 60 psi
- Outlets may be capped if not used
- Min. depth is 3 3/8" from middle of the valve outlet
- Max. depth is 5 1/2" from middle of valve outlet (check dimensions)
- Extension solution included in the rough package. Cut barrel and extension to size as needed.
- Stem is part of the cartridge. To replace the cartridge order: 15251KIT – Includes all thread
- Made in Germany

COLORS/FINISHES

- Rough only

WARRANTY

- Limited Lifetime



INSTRUCTION MANUAL
MANUAL DE INSTRUCCIONES
MODE D'EMPLOI

ROHL



R1040



R1041



R1062

Product names:

ROHL $\frac{3}{4}$ " CLOCKWISE AND COUNTER-CLOCKWISE VOLUME CONTROL

ROHL $\frac{1}{2}$ " THREE WAY DIVERTER-ONE INLET-3 OUTLETS

Core product numbers:

R1040: Single Function Counter Clockwise Volume Control

R1041: Single Function Clockwise Volume Control

R1062: Three Function Dedicated Diverter/ Volume Control

Temperature Range: 50-120°F

Pressure Range: 15-75 PSI

Recommended Pressure: 60 PSI

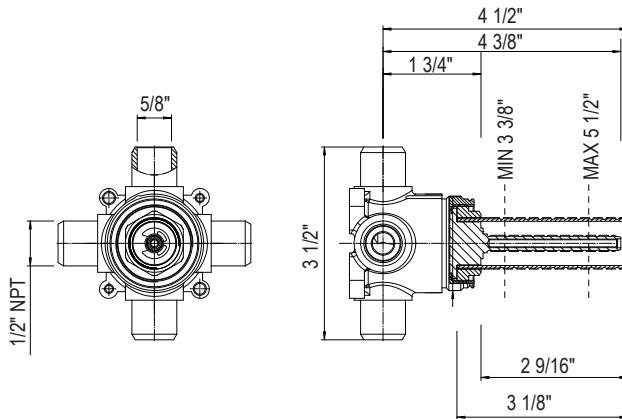
HOUSEOFROHL.COM

A DISTINCTIVE MEMBER OF THE HOUSE OF ROHL

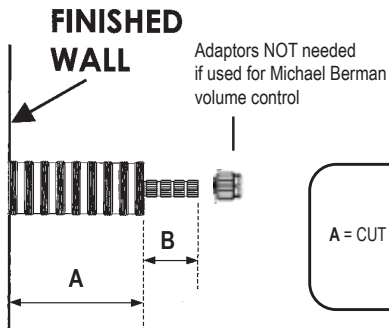
INSTALLATION INSTRUCTIONS INSTRUCCIONES PARA LA INSTALACIÓN INSTRUCTIONS D'INSTALLATION

R1062 DEDICATED DIVERTER

- Must have both rough and trim to complete the installation.
- Flush the plumbing system before installing this product.
- Must follow dimensions supplied for installation and make sure allowance is made for finished wall material such as tile, etc.
- Must use with volume control when used with thermostatic valve
- 1 X 1/2" M NPT inlet
- 3 X 1/2" M NPT outlets
- Flow is dedicated
- May not be split into two outlets at once
- CalGreen compliant
- 5 GPM
- Outlets may be capped if not used
- Min. depth is 3 3/8" from middle of the valve outlet
- Max. depth is 5 1/2" from middle of valve outlet (check dimensions)
- Extension solution included in the rough package. Cut barrel and extension to size as needed.



ROUGH-IN DIMENSIONS.



REQUIRED MEASUREMENTS

A = CUT TO DESIRED LENGTH, LEAVE 5/16" OUTSIDE THE FINISHED WALL
B = ~1/2"

PLEASE NOTE: THE STEM IS PART OF THE CARTRIDGE. TAKE CARE TO MEASURE TWICE, CUT ONCE. IF THE STEM IS CUT TOO SHORT, YOU MAY HAVE TO REPLACE THE CARTRIDGE. ALSO, THE ALL THREAD DOES NOT STACK. IF CUT TO SHORT, THE ALL THREAD SLEEVE CAN BE REPLACED.

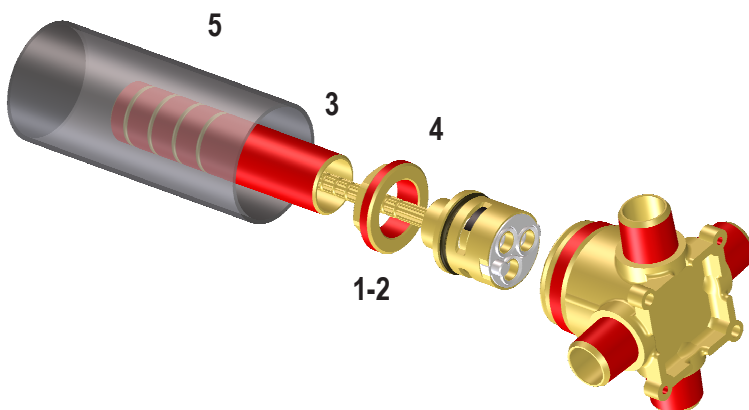
INSTALLATION INSTRUCTIONS

INSTRUCCIONES PARA LA INSTALACIÓN

INSTRUCTIONS D'INSTALLATION

R1062 DEDICATED DIVERTER

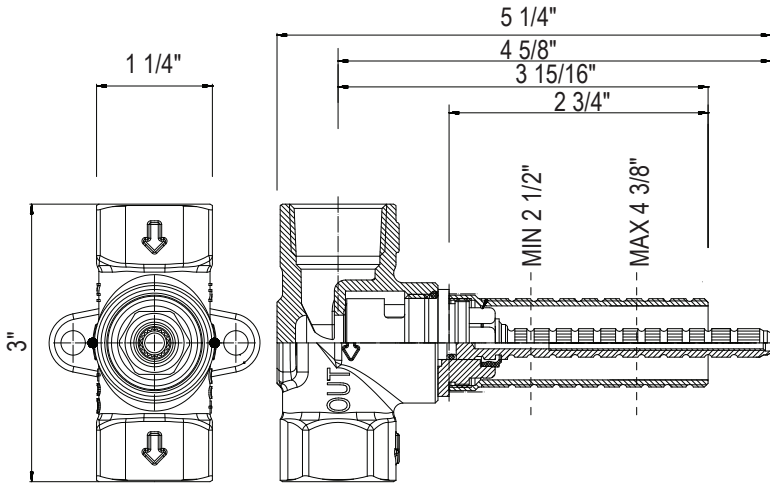
NO.	DESCRIPTIONS
1	FLUHS 3 WAY DEDICATED DIVERTER CARTRIDGE R1062
2	FLUHS 3 WAY SHARED DIVERTER CARTRIDGE R1062
3	FLUHS ALL THREAD 24 X 1 X 3"
4	FLUHS CAP FOR CARTRIDGE R1062
5	MUD GUARD R1062
*	R30083 PLASTIC ADAPTOR FOR ROHL CONTROLS NOT PICTURED
*	9.15402 PERRIN&ROWE PLASTIC ADAPTOR NOT PICTURED



INSTALLATION INSTRUCTIONS INSTRUCCIONES PARA LA INSTALACIÓN INSTRUCTIONS D'INSTALLATION

R1040: SINGLE FUNCTION COUNTER CLOCKWISE VOLUME CONTROL

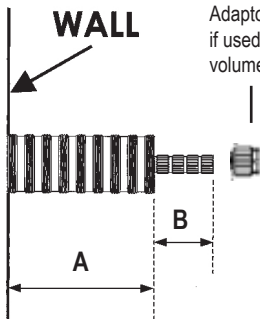
R1041: SINGLE FUNCTION CLOCKWISE VOLUME CONTROL



ROUGH-IN DIMENSIONS.

FINISHED WALL

Adaptors NOT needed
if used for Michael Berman
volume control



REQUIRED MEASUREMENTS

A = CUT TO DESIRED LENGTH, LEAVE 5/16" OUTSIDE THE FINISHED WALL
B = ~1/2"

PLEASE NOTE: THE STEM IS PART OF THE CARTRIDGE. TAKE CARE TO MEASURE TWICE, CUT ONCE. IF THE STEM IS CUT TOO SHORT, YOU MAY HAVE TO REPLACE THE CARTRIDGE. ALSO, THE ALL THREAD DOES NOT STACK. IF CUT TO SHORT, THE ALL THREAD SLEEVE CAN BE REPLACED.

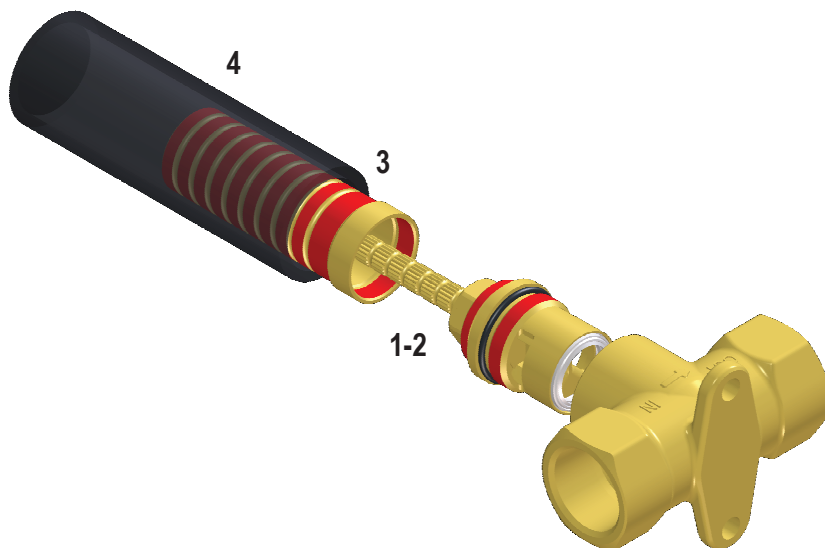
INSTALLATION INSTRUCTIONS

INSTRUCCIONES PARA LA INSTALACIÓN

INSTRUCTIONS D'INSTALLATION

R1040: SINGLE FUNCTION COUNTER CLOCKWISE VOLUME CONTROL
R1041: SINGLE FUNCTION CLOCKWISE VOLUME CONTROL

NO.	DESCRIPTIONS
1	Fluhs COUNTER CLOCKWISE CARTRIDGE R1040
2	Fluhs COUNTER CLOCKWISE CARTRIDGE R1040
3	FLUHS ALL THREAD 24 X 1 X 3"
4	MUD GUARD R1040 R1041
*	R30083 PLASTIC ADAPTOR FOR ROHL CONTROLS NOT PICTURED
*	9.15402 PERRIN&ROWE PLASTIC ADAPTOR NOT PICTURED



LIMITED WARRANTY GARANTÍA LIMITADA GARANTIE LIMITÉE

Most products or parts carry "Limited Warranties" against manufacturing defects.
Please visit houseofrohl.com/support for complete product and finish warranty.

La mayoría de los productos o piezas presentan "Garantías limitadas" contra defectos de fabricación. Por favor visite houseofrohl.com/support para ver la garantía completa de los productos y acabados.

La plupart des produits ou des pièces bénéficient d'une « garanties limitées » contre les défauts de fabrication. Veuillez consulter le site houseofrohl.com/support pour connaître les conditions de garantie du produit et du fini.

FINISH CARE & MAINTENANCE CUIDADO Y MANTENIMIENTO DEL ACABADO SOINS ET ENTRETIEN DU PRODUIT FINI

The finishing touch on every product is its exquisite surface. Great care has been taken to ensure that the final step in the manufacturing - whether it is a sink, faucet, fitting or an accessory - delivers perfection. Like any quality item, no matter how durable, care should be taken when cleaning and maintaining these finishes. Please visit houseofrohl.com/support for complete finish care and cleaning instructions for your particular finish.

El toque final de todo producto es su exquisita superficie. Se ha tenido sumo cuidado para asegurar que el último paso de la fabricación – ya sea de un fregadero, una mezcladora, un herraje o un accesorio – tenga como resultado la perfección. Como con cualquier artículo de calidad, no importa cuán duradero, se debe tener ciertos cuidados al limpiar y mantener estos acabados. Por favor visite houseofrohl.com/support para ver las instrucciones completas de cuidado y mantenimiento de su acabado particular.

La touche finale de chaque produit est sa surface raffinée. Un grand soin a été apporté pour que la dernière étape de la fabrication - qu'il s'agisse d'un évier, d'un robinet, d'une robinetterie ou d'un accessoire - soit parfaite. Comme pour tout article de qualité, même s'il est durable, il faut faire attention au nettoyage et à l'entretien de ces finitions. Veuillez consulter le site houseofrohl.com/support pour obtenir des instructions complètes sur l'entretien et le nettoyage de votre fini particulier.

CUSTOMER CARE ATENCIÓN AL CLIENTE ASSISTANCE À LA CLIENTÈLE

The House of Rohl® Customer Care Team is committed to efficiently serve and support; and to do so with respect, honesty, and genuineness. We will passionately work together to always exceed our customers' expectations. We strive to delight and surprise our customers, as well as our business partners. To contact one of our Customer Care Team members:

El equipo de Atención al Cliente de House of Rohl® tiene el compromiso de atender y apoyar eficientemente, y de hacerlo con respeto, honestidad y autenticidad. Juntos trabajaremos con entusiasmo para superar siempre las expectativas de nuestros clientes. Nos esforzamos por sorprender agradablemente tanto a nuestros clientes como a nuestros socios comerciales. Para ponerse en contacto con los miembros de nuestro equipo de Atención al Cliente:

L'équipe du service à la clientèle de House of Rohl® s'engage à servir et à soutenir nos clients de manière efficace et avec respect, honnêteté et authenticité. Nous travaillerons ensemble avec passion pour toujours dépasser les attentes de nos clients. Nous nous efforçons de ravir et de surprendre nos clients, ainsi que nos partenaires commerciaux. Pour contacter l'un des membres de notre équipe de service à la clientèle:

Phone / Teléfono / Téléphone: (800) 777 - 9762

Email: customercare@houseofrohl.com

Website: houseofrohl.com/support/contact-us

©2020 Rohl LLC All Rights Reserved