



KINDRED

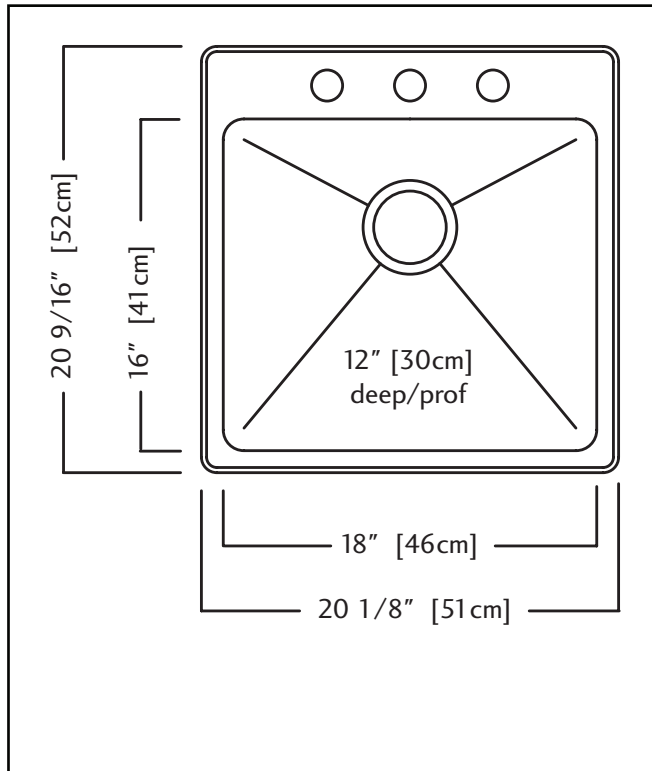
STEEL QUEEN

SINGLE BOWL 18 GAUGE DUALMOUNT

MODEL: QSLF2020-12-3 (3 FAUCET HOLES)

MODEL: QSLF2020-12-1 (1 FAUCET HOLE)

- ✓ Sound dampening system that reduces excess noise from running water and disposal vibration
- ✓ Rear off-set drain maximizes the usable bottom surface of the bowl
- ✓ Resilient finish offers lasting durability
- ✓ 18 gauge high quality stainless steel with exceptional resistance to staining and corrosion



TECHNICAL FEATURES

OVERALL SINK SIZE (OD)	20 9/16" FB x 20 1/8" LR
BOWL SIZE (ID)	16" FB x 18" LR x 12" DP
MINIMUM CABINET SIZE	24"
MATERIAL	18 Gauge
BOWL CORNER RADIUS	25 mm
STAINLESS STEEL FINISH	Commercial Satin Finish
DRAIN HOLE LOCATION	Rear
INSTALLATION TYPE	Dualmount
SOUND COATING	Sound Pads & Undercoating
WEIGHT	32.3lbs
WARRANTY	Limited Lifetime
COUNTRY OF ORIGIN	China

INCLUDED/OPTIONAL ACCESSORIES

STRAINER BASKET	1135 - INCLUDED
DRAINER BASKET	DBR10S
ROLLER MAT	RM55S