

## IMPORTANT WARNING!!



PLEASE ENSURE THAT THE RECOMMENDED HEATER TANK UNIT (U.1998) AND FILTER KIT (U.1106) IS USED.

TO AVOID PRESSURISED BOILING WATER AND TO COMPLY WITH US REGULATIONS THIS IS AN OPEN VENTED PRODUCT.

DO NOT PLUG IN THE UNIT UNTIL ALL WATER CONNECTIONS HAVE BEEN MADE AND THE TANK HAS FILLED COMPLETELY THEN FLUSHED TO REMOVE AIR.

**\*IMPORTANT!! ENSURE A PRESSURE REDUCING VALVE (PRV) IS USED IN-LINE WITH COLD INLET AND IDEALLY SET TO 43.5PSI (3BAR). FAILURE TO DO SO MAY RESULT IN REDUCED PRODUCT PERFORMANCE.\***

INSTANT HOT WATER TEMPERATURES CAN REACH 210°F. THE FAUCET IS DESIGNED WITH FEATURES TO MINIMISE RISK AND POTENTIAL INJURY; TWO ACTION OPERATION, SPRING BACK VALVE AND DELAYED DELIVERY; BUT SHOULD BE OPERATED OR SUPERVISED BY A RESPONSIBLE ADULT.

PLEASE READ AND FULLY UNDERSTAND THE HEATER TANK INSTRUCTIONS BEFORE USE.

## MINI INSTANT HOT DISPENSERS

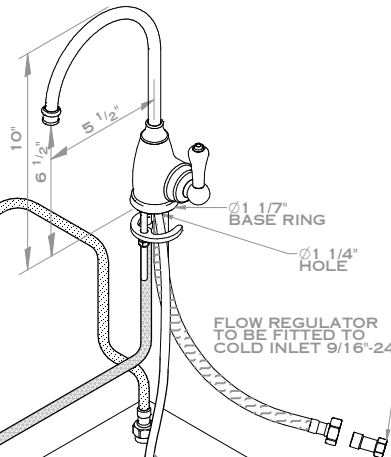
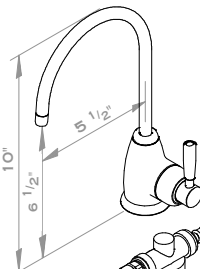
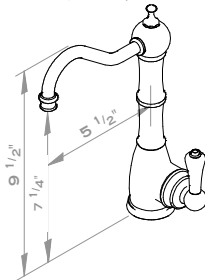
REGISTRATION - PLEASE VISIT

[WWW.ROHLHOME.COM/FILTRATION-REGISTRATION.ASPX](http://WWW.ROHLHOME.COM/FILTRATION-REGISTRATION.ASPX),  
COMPLETE THE REGISTRATION CARD (POSTAGE PAID) OR  
PHONE 1-800-777-9762 TO REGISTER YOUR PRODUCT.

U.1323: AQUITAINE

U.1347: MIMAS

U.1307: PARTHIAN



NOTE: DIAGRAM SHOWS FAUCET SET UP WITH U.1998 (HEATER TANK) AND U.1106 (FILTER).

MAX TEMP:  
FOR MAINS: 185°F

RECOMMENDED  
WORKING PRESSURES:  
MIN 22PSI  
MAX 72PSI

**\*IMPORTANT!! ENSURE A PRESSURE REDUCING VALVE (PRV) IS USED IN-LINE WITH COLD INLET AND IDEALLY SET TO 43.5PSI (3BAR). FAILURE TO DO SO MAY RESULT IN REDUCED PRODUCT PERFORMANCE.\*\***

## THE MINI HOT DISPENSERS COLLECTION INSTALLATION & USER GUIDE

CONGRATULATIONS ON THE PURCHASE OF YOUR PERRIN AND ROWE KITCHEN PRODUCT. CORRECTLY INSTALLED AND WITH SENSIBLE CARE, THIS PRODUCT WILL GIVE YOU MANY YEARS OF TROUBLE FREE SERVICE.

### IMPORTANT INFORMATION

BEFORE YOU PROCEED... WE RECOMMEND YOU ENGAGE THE SERVICES OF A REGISTERED PLUMBER TO INSTALL THIS PRODUCT.

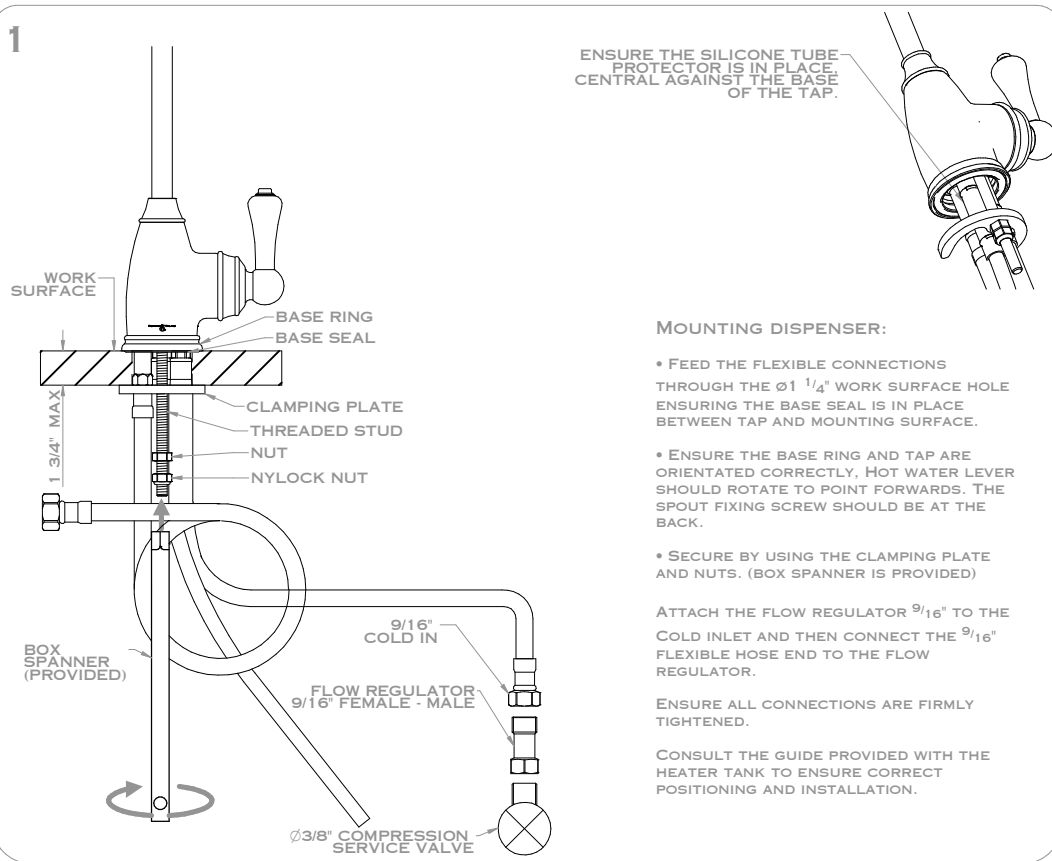
PERRIN & ROWE TAPS REQUIRE A MAXIMUM INLET PRESSURE SUPPLY OF 75PSI. FOR INSTALLATIONS WHERE THE INLET WATER SUPPLY PRESSURE IS EVER ABOVE 75PSI, PRESSURE-LIMITING VALVES MUST BE INSTALLED PRIOR TO THIS TAP.

IT IS ESSENTIAL THAT THE INFORMATION CONTAINED HEREIN IS CAREFULLY READ AND UNDERSTOOD PRIOR TO INSTALLING AND OPERATING THIS TAP.

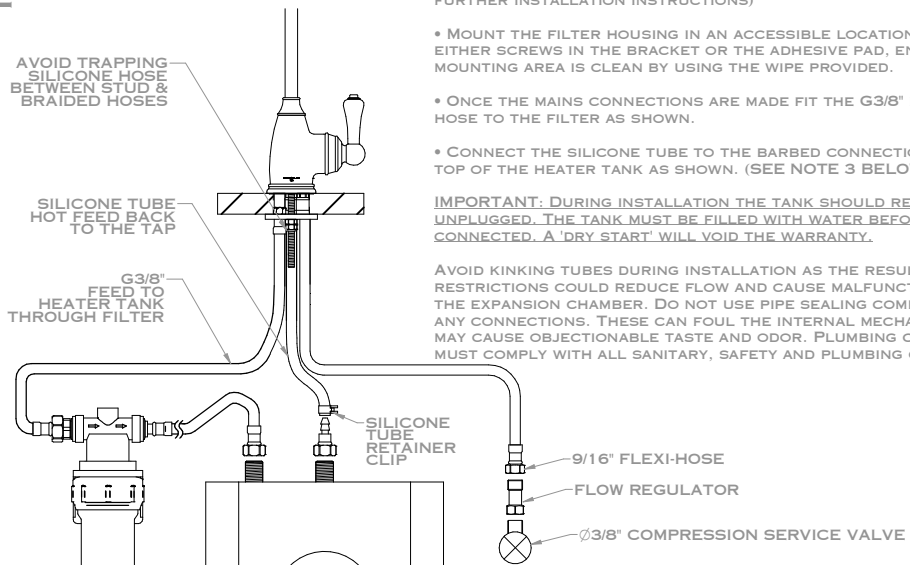
### PREPARATION FOR THE INSTALLATION.

FLUSH THE PIPEWORK BEFORE INSTALLING THIS TAPWARE.

ONCE UNPACKED, REMOVE NUTS AND CLAMPING PLATE READY FOR INSTALLATION



2



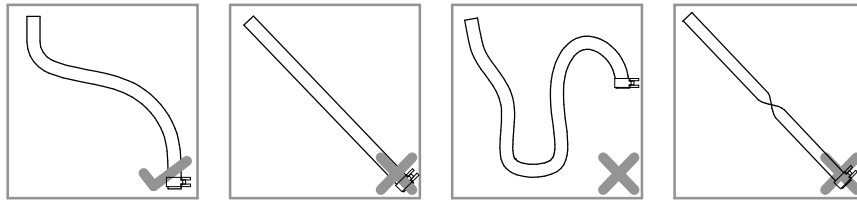
CONNECTIONS TO THE FILTER (U.1106) AND HEATER TANK U.1998:  
(SEE SEPARATE FILTER GUIDE AND HEATER TANK INSTALLATION FOR FURTHER INSTALLATION INSTRUCTIONS)

- MOUNT THE FILTER HOUSING IN AN ACCESSIBLE LOCATION USING EITHER SCREWS IN THE BRACKET OR THE ADHESIVE PAD, ENSURING THE MOUNTING AREA IS CLEAN BY USING THE WIPE PROVIDED.
- ONCE THE MAINS CONNECTIONS ARE MADE FIT THE G3/8\"/>

**IMPORTANT:** DURING INSTALLATION THE TANK SHOULD REMAIN UNPLUGGED. THE TANK MUST BE FILLED WITH WATER BEFORE POWER IS CONNECTED. A 'DRY START' WILL VOID THE WARRANTY.

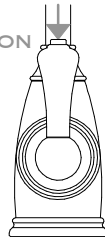
AVOID KINKING TUBES DURING INSTALLATION AS THE RESULTING RESTRICTIONS COULD REDUCE FLOW AND CAUSE MALFUNCTIONING OF THE EXPANSION CHAMBER. DO NOT USE PIPE SEALING COMPOUNDS ON ANY CONNECTIONS. THESE CAN FOUL THE INTERNAL MECHANICS AND MAY CAUSE OBJECTIONABLE TASTE AND ODOR. PLUMBING CONNECTIONS MUST COMPLY WITH ALL SANITARY, SAFETY AND PLUMBING CODES.

3 SILICONE HOSE

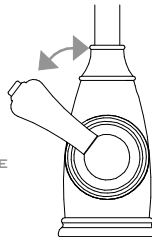


TRIM THE SILICONE HOSE TO THE RIGHT LENGTH FOR THE INSTALLATION. IT MUST NOT BE PULLED TAUGHT, TOO SLACK LEADING TO A 'U' BEND OR TWISTED. PLEASE MAKE SURE THE TUBE ISN'T PINCHED BETWEEN THE THREADED STUD AND THE BRAIDED HOSE AS THIS MAY CAUSE FLOW RESTRICTION. IF THE SILICONE IS NOT INSTALLED CORRECTLY IT MAY AFFECT THE PERFORMANCE OF THE SYSTEM.

4 OPERATION



FOR INSTANT HOT WATER, PRESS DOWN ON THE LEVER/BUTTON AND ROTATE HANDLE FORWARD.



ONCE FINISHED, RELEASE THE HANDLE AND THE VALVE WILL AUTOMATICALLY CLOSE.